



US00D452435B1

(12) **United States Design Patent**
Lichter

(10) **Patent No.:** **US D452,435 S**

(45) **Date of Patent:** **** Dec. 25, 2001**

(54) **HOLDING AND CARRYING DEVICE FOR TWO HANDLED SHOPPING BAGS**

D. 364,806 * 12/1995 Cole D9/434
D. 410,386 * 6/1999 Watkins D9/434

(76) **Inventor:** **Sigmund J. Lichter**, 2869 Selby Ave.,
Los Angeles, CA (US) 90064

* cited by examiner

Primary Examiner—Robert M. Spear

(**) **Term:** **14 Years**

(57) **CLAIM**

(21) **Appl. No.:** **29/074,178**

The ornamental design for a holding and carrying device for two handled shopping bags, as shown and described.

(22) **Filed:** **Jul. 7, 1997**

DESCRIPTION

(51) **LOC (7) Cl.** **09-07**

(52) **U.S. Cl.** **D9/434**

(58) **Field of Search** D8/300, 303; D9/344,
D9/434, 499; D7/622; D34/28; 16/110.1,
111.1, 406, 422; 248/95; 294/12, 137, 158,
159, 170, 171; 383/6, 13

FIG. 1 is a front elevational view of a holding and carrying device for two handled shopping bags, showing my new design;

FIG. 2 is a top edge elevational view thereof the bottom edge elevational view being substantially identical thereto, the sole variation being the orientation of the hook assembly at each end;

FIG. 3 is a rear elevational view thereof; and,

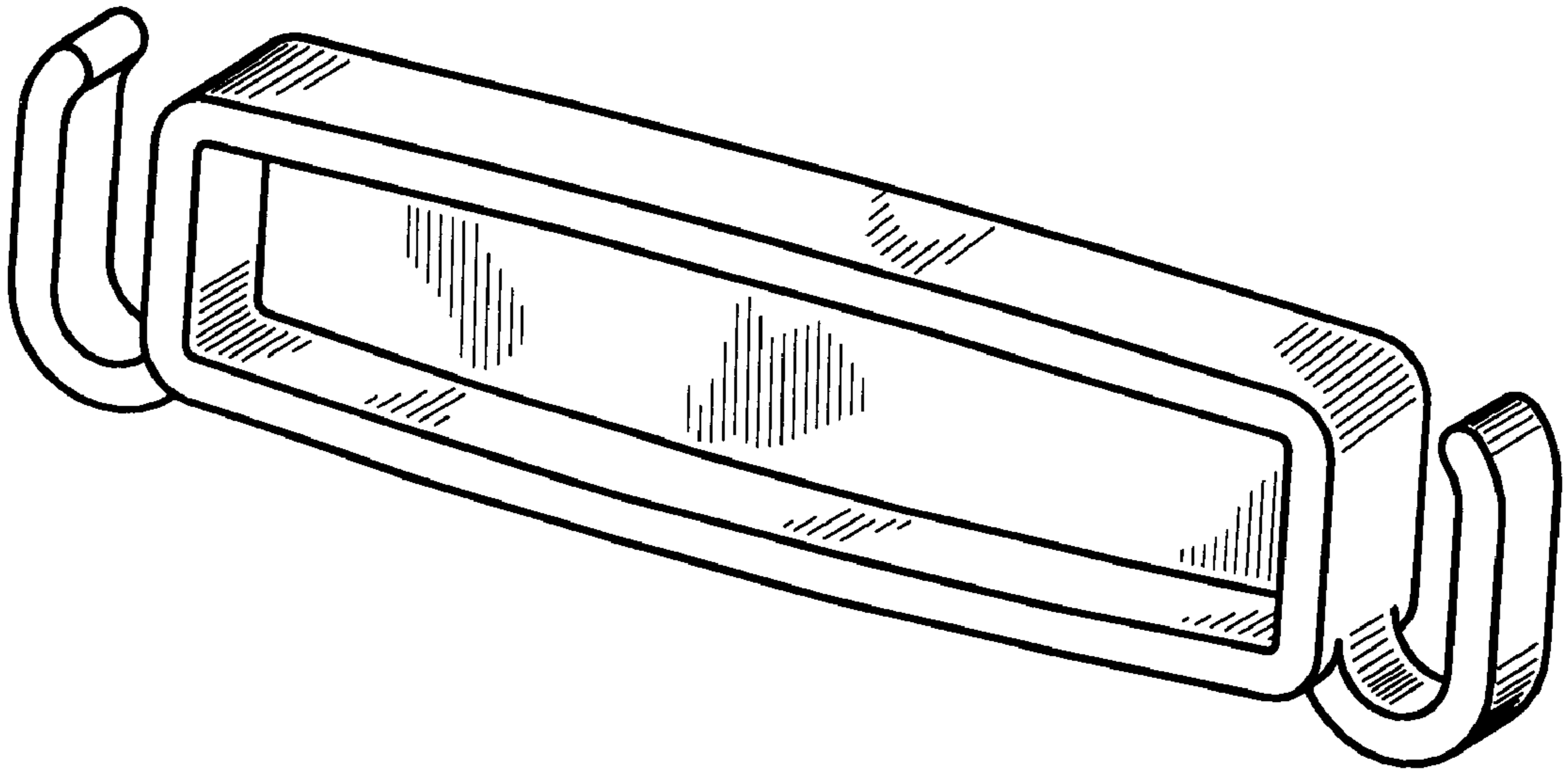
FIG. 4 is a rear perspective view thereof.

(56) **References Cited**

U.S. PATENT DOCUMENTS

D. 318,213 * 7/1991 Cloonan et al. D34/28
D. 361,264 * 8/1995 West D9/434

1 Claim, 1 Drawing Sheet



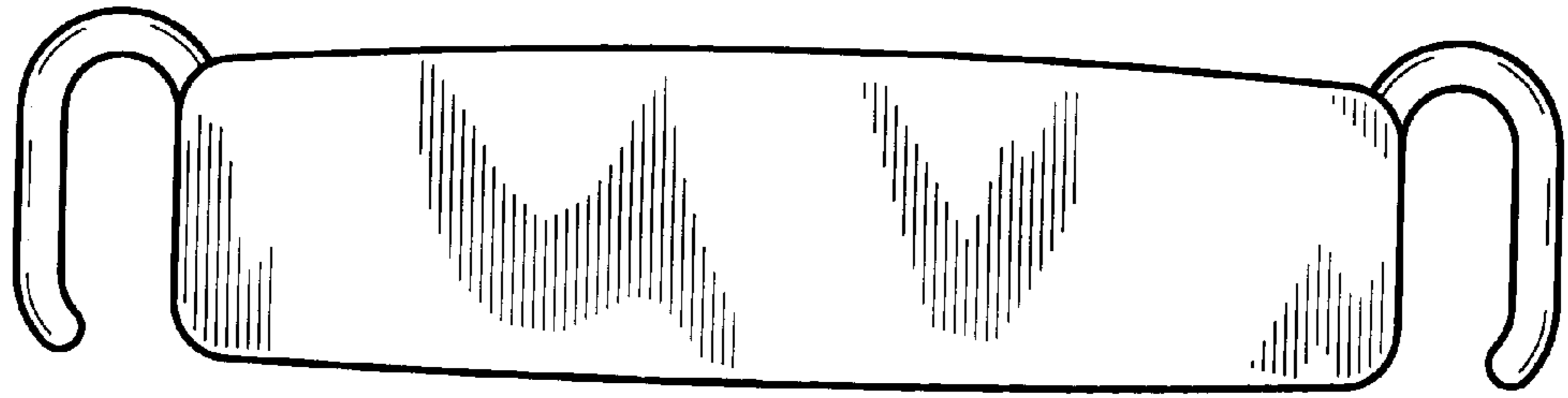


FIG. 1

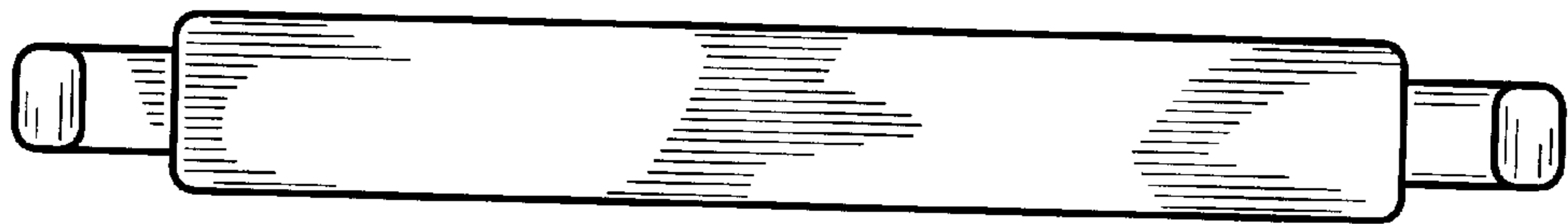


FIG. 2

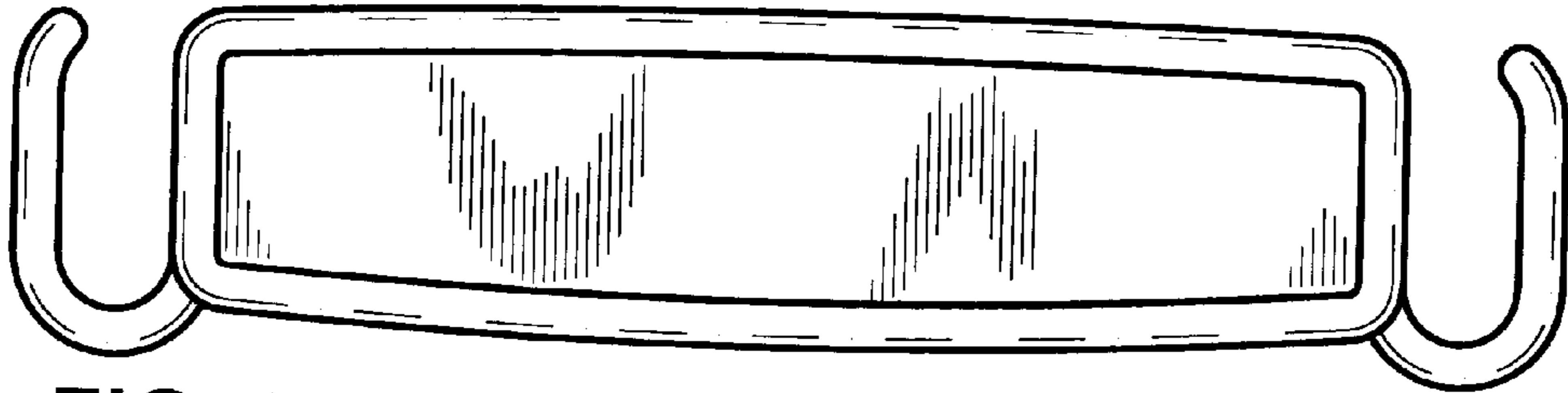


FIG. 3

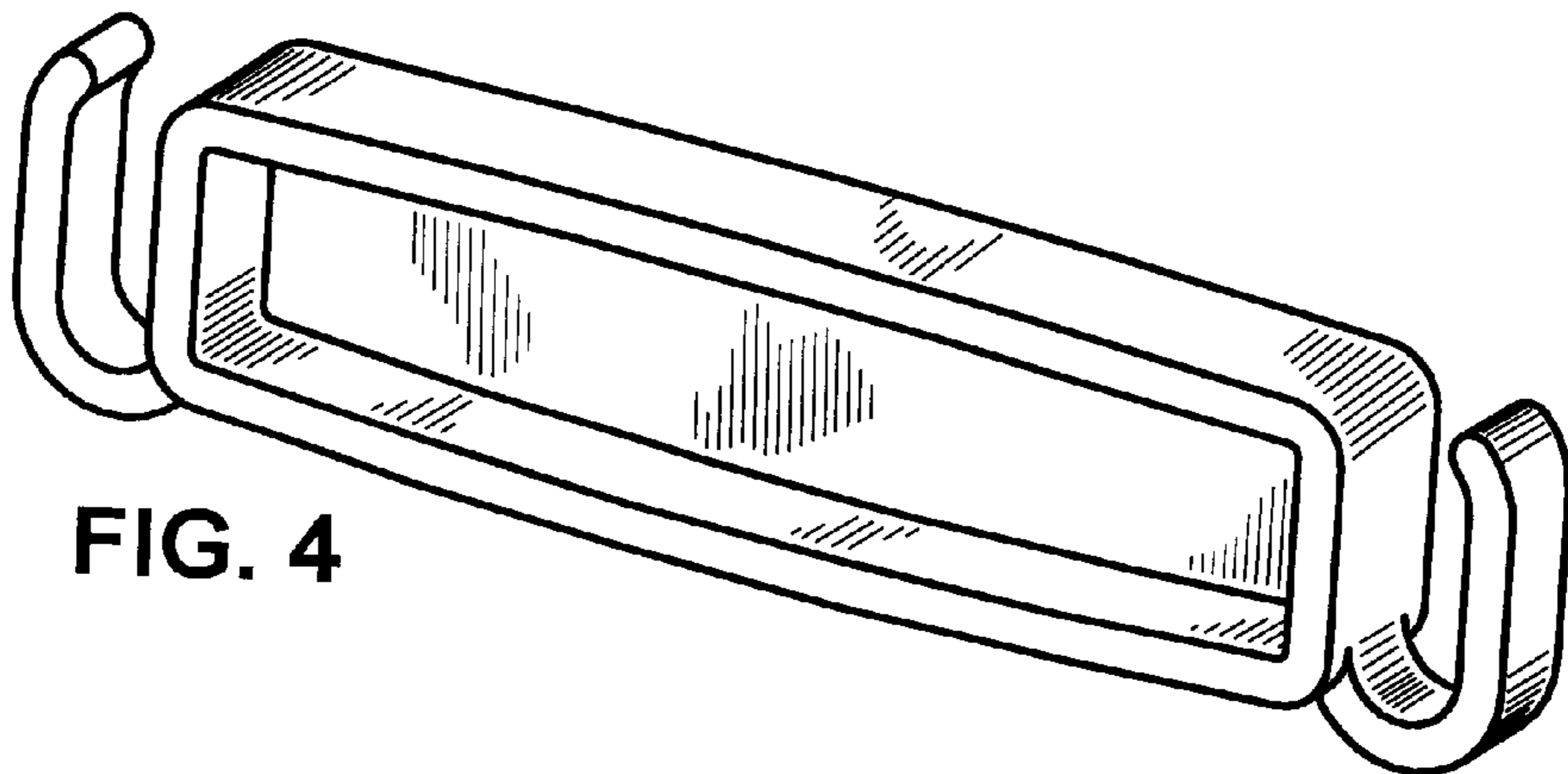


FIG. 4