



US00D452428B1

(12) **United States Design Patent**
Shinjo et al.

(10) **Patent No.: US D452,428 S**

(45) **Date of Patent: ** *Dec. 25, 2001**

(54) **CLINCH NUT**

(75) Inventors: **Katsumi Shinjo**, Osaka; **Tadashi Shinjo**, Sakai; **Hiroshi Shinjo**, Osaka, all of (JP)

(73) Assignee: **Yugenkaisha Shinjo Seisakusho**, Osaka (JP)

(*) Notice: This patent is subject to a terminal disclaimer.

(**) Term: **14 Years**

(21) Appl. No.: **29/131,916**

(22) Filed: **Oct. 31, 2000**

(30) **Foreign Application Priority Data**

May 18, 2000 (JP) 12-013086

(51) **LOC (7) Cl.** **08-08**

(52) **U.S. Cl.** **D8/397**

(58) **Field of Search** 411/172, 174, 411/175, 179, 184, 427, 429, 432, 533, 978, 190, 910, 330, 326, 205, 222

(56) **References Cited**

U.S. PATENT DOCUMENTS

32,880 * 7/1861 Lawrence et al. .
433,730 * 8/1890 Horker .

843,656 * 2/1907 Andersen .
5,092,725 * 3/1992 Aittama 411/429
5,618,145 * 4/1997 Kuo 411/432

OTHER PUBLICATIONS

Machine Design—The Fasteners Book; p. 133; Shakeproof locknut w/flange, Sep. 29, 1960.*
Machine Design—The Fasteners Book; p. 138, RH nut, Sep. 29, 1960.*

* cited by examiner

Primary Examiner—B. J. Bullock

(74) *Attorney, Agent, or Firm*—Antonelli, Terry, Stout & Kraus, LLP

(57) **CLAIM**

The ornamental design for a clinch nut, as shown and described.

DESCRIPTION

FIG. 1 is a top plan view;
FIG. 2 is a front elevation;
FIG. 3 is a bottom plan view;
FIG. 4 is a right-side elevation;
FIG. 5 is a cross section taken along the line 5—5 in FIG. 1;
FIG. 6 is a downwards perspective view; and,
FIG. 7 is an upwards perspective view.

1 Claim, 3 Drawing Sheets

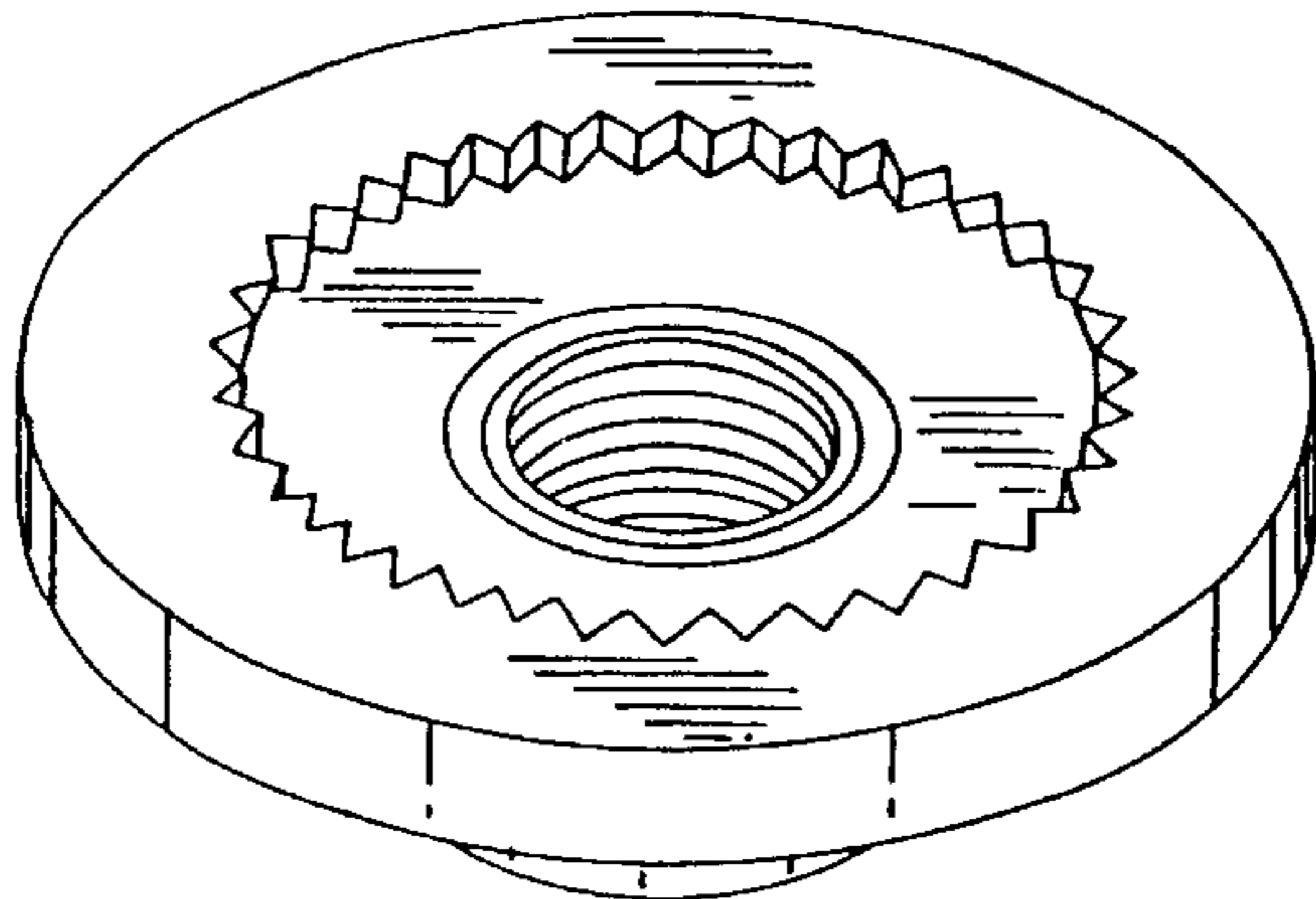
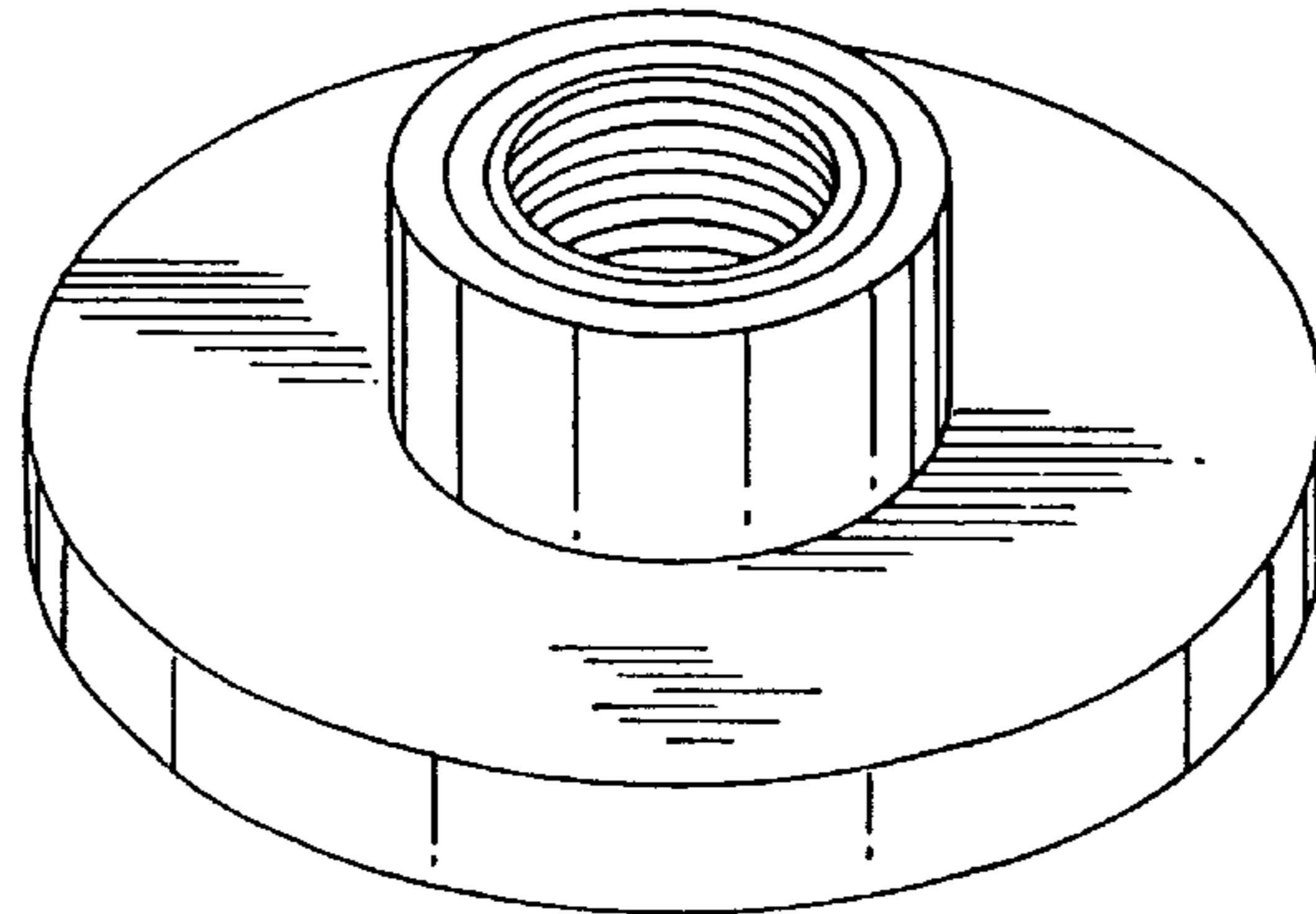


FIG. 1

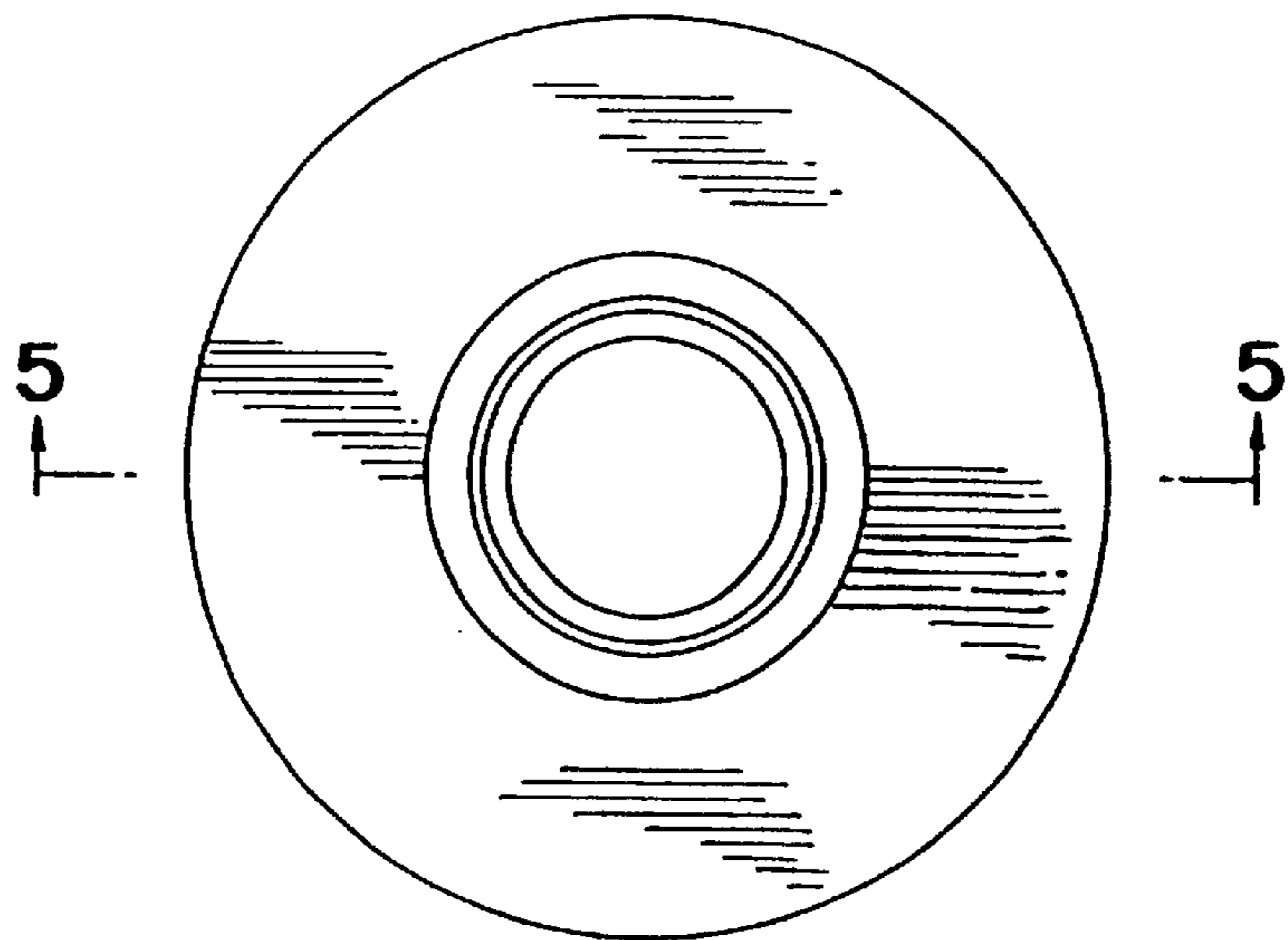


FIG. 2

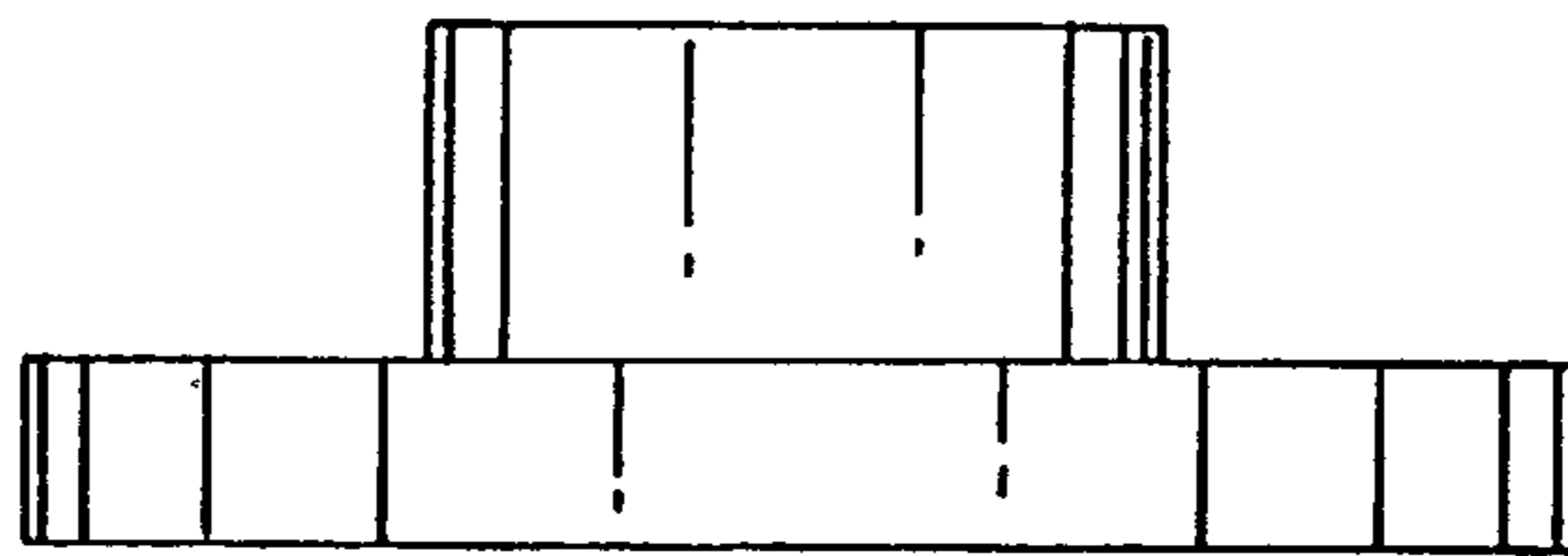


FIG. 3

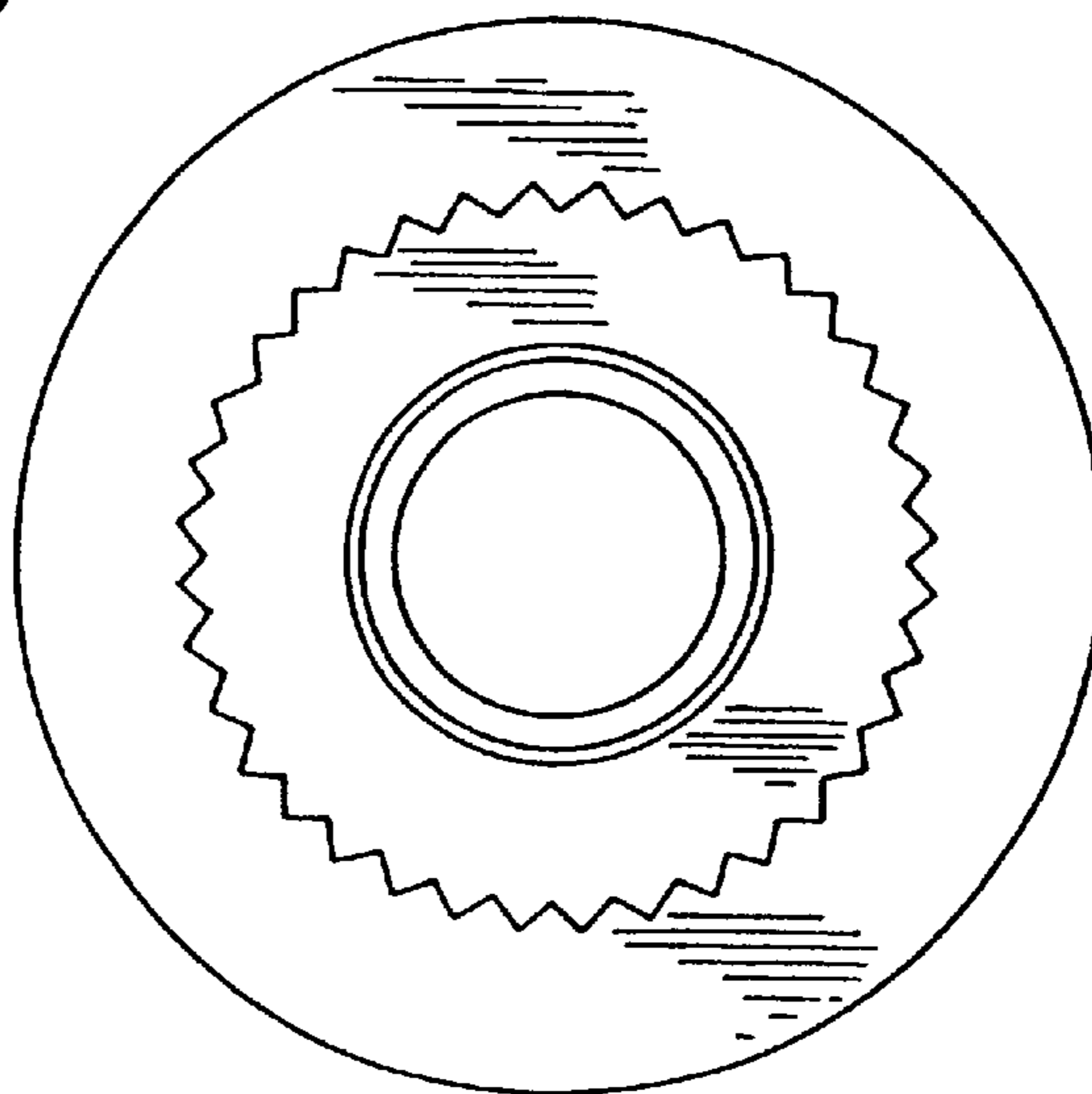


FIG. 4

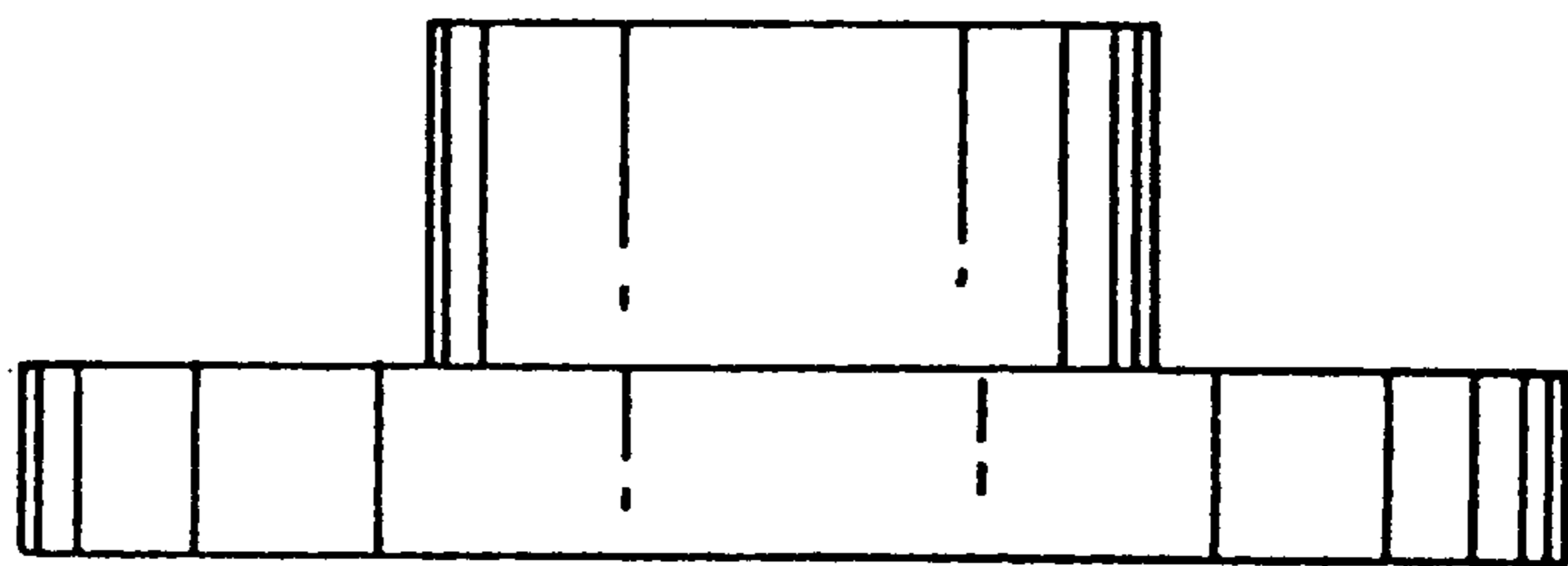


FIG. 5

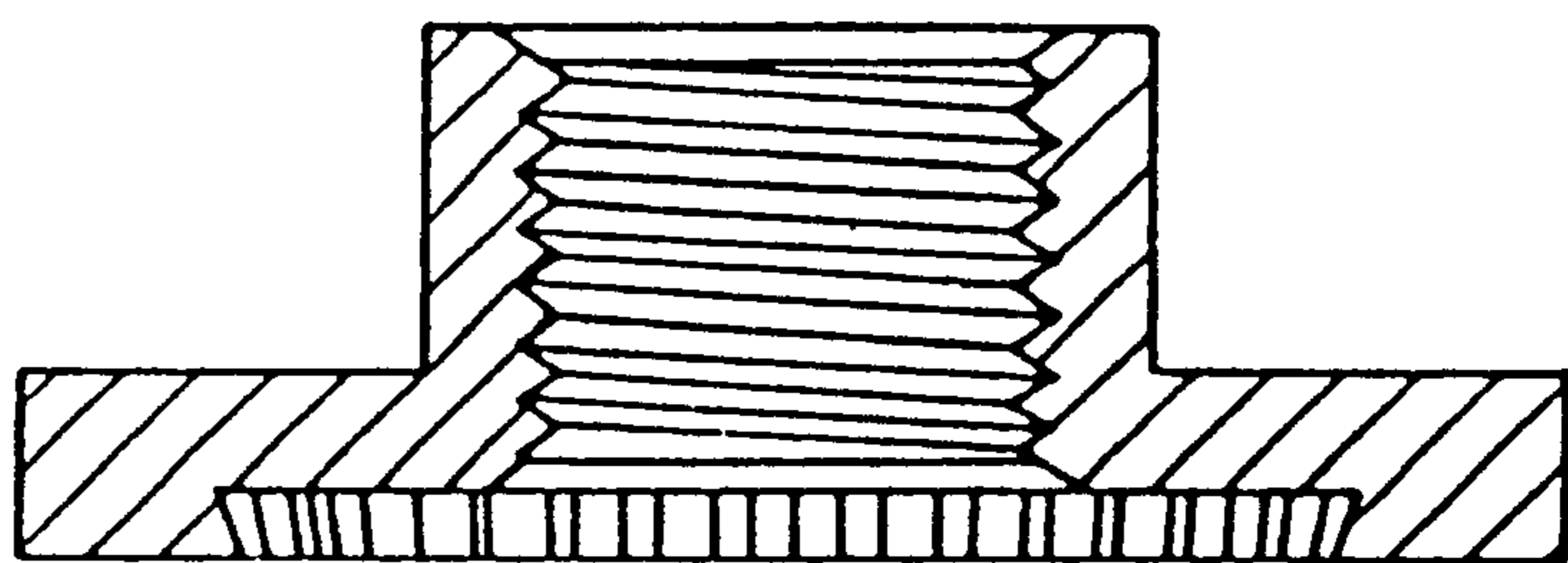


FIG. 6

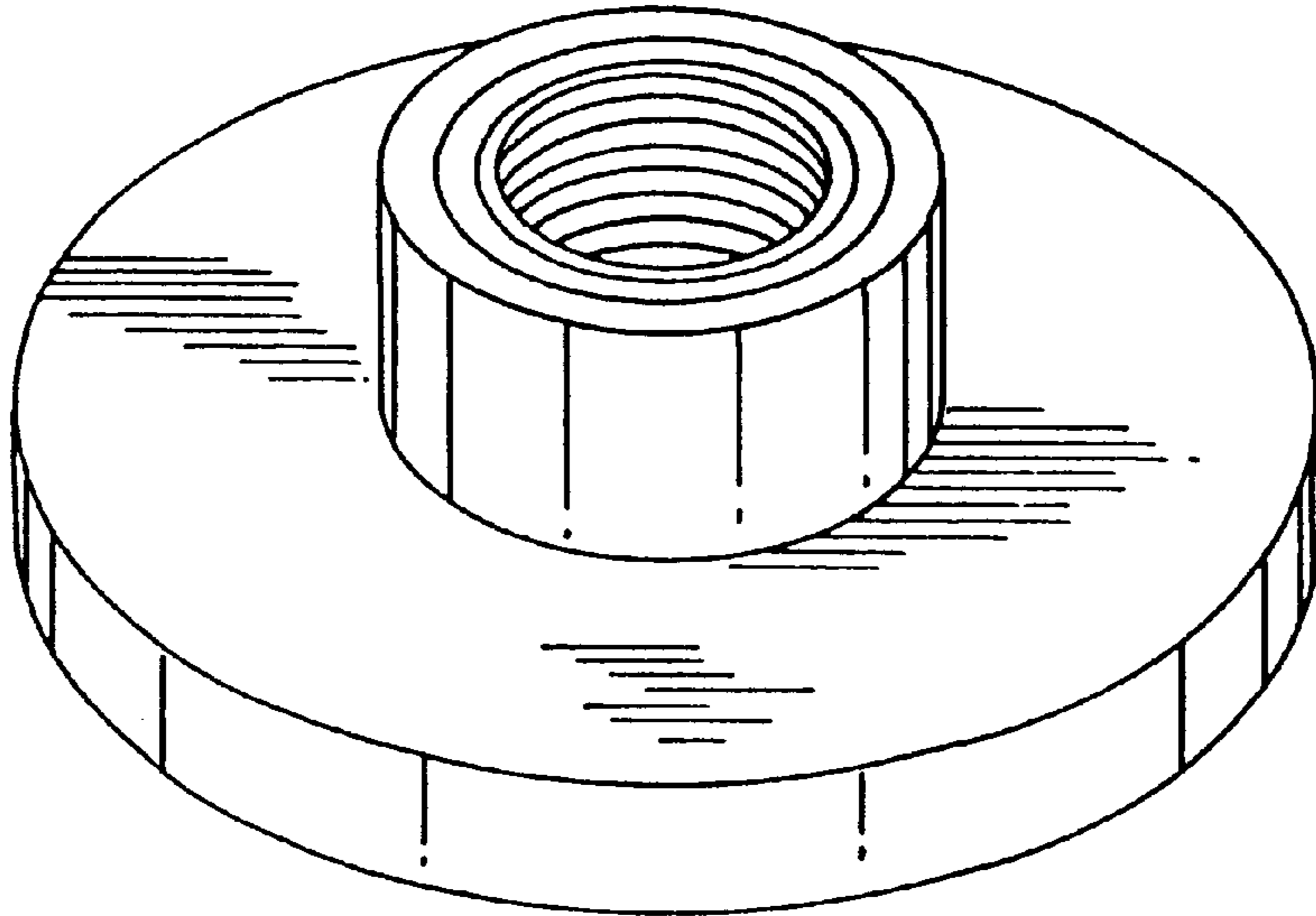


FIG. 7

