



US00D452427B1

(12) **United States Design Patent**
Milan

(10) **Patent No.:** **US D452,427 S**

(45) **Date of Patent:** **** Dec. 25, 2001**

(54) **MOLD PRODUCED DESIGN FOR A THUMB SCREW**

1,510,593 * 10/1924 Harrold 81/177.1
5,341,707 * 8/1994 Bond 81/436

(76) Inventor: **Henry Milan**, 1709 Apple Ridge Ct.,
Rochester Hills, MI (US) 48306

* cited by examiner

(**) Term: **14 Years**

Primary Examiner—Joel Sincavage

Assistant Examiner—Clare E. Heflin

(74) *Attorney, Agent, or Firm*—Marshall & Melhorn, LLC

(21) Appl. No.: **29/132,528**

(57) **CLAIM**

(22) Filed: **Nov. 10, 2000**

The ornamental design for a mold produced design for a thumb screw, as shown and described.

(51) **LOC (7) Cl.** **08-08**

DESCRIPTION

(52) **U.S. Cl.** **D8/387**; D8/107

(58) **Field of Search** D8/382, 387, 107,
D8/83, 82, DIG. 8; 411/408, 402; 81/177.1,
489, 436–439

FIG. 1 is a perspective view of a mold produced design for a thumb screw showing my new design.

FIG. 2 is a rear view thereof.

FIG. 3 is a front view thereof.

FIG. 4 is a left side view thereof; and,

FIG. 5 is a right side view thereof.

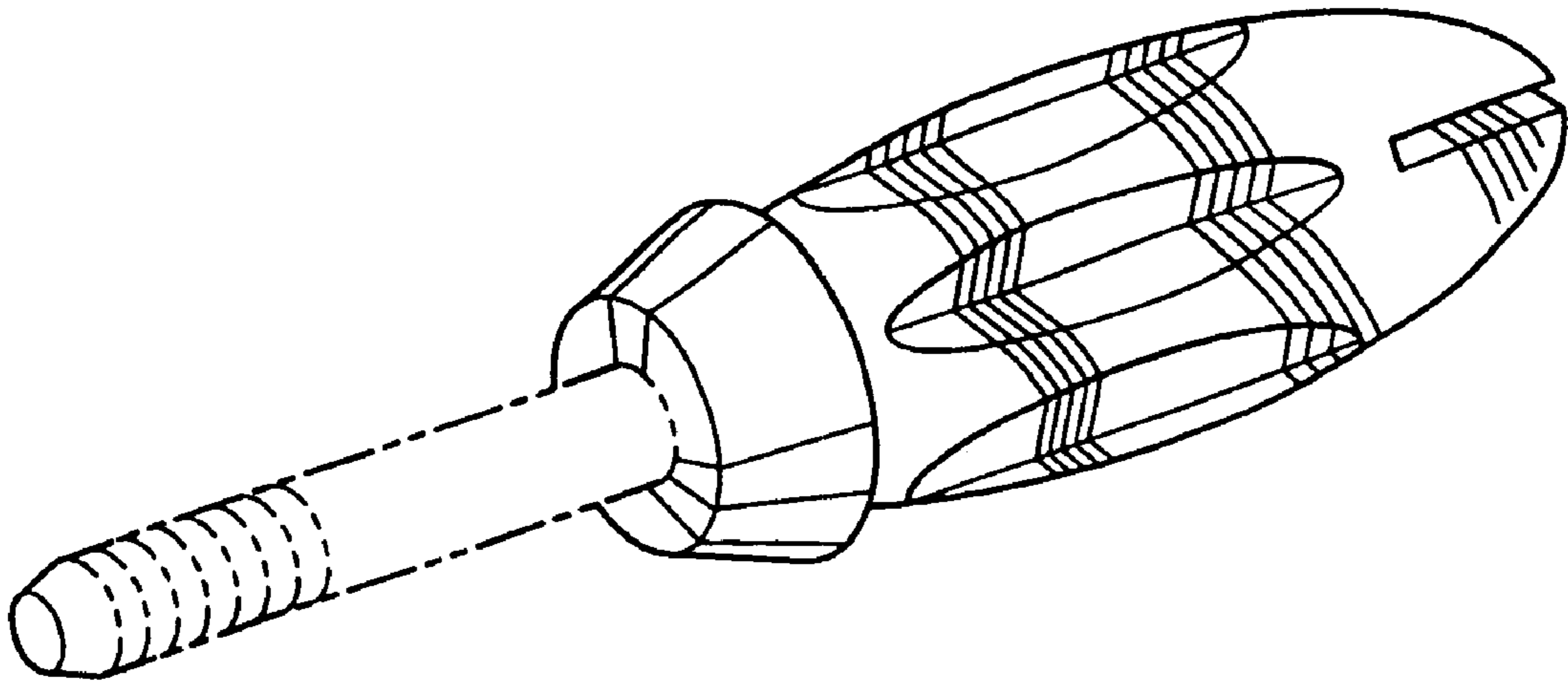
The broken lines showing a threaded shank are for illustrative purposes only and form no part of the claimed design.

(56) **References Cited**

U.S. PATENT DOCUMENTS

- D. 175,025 * 6/1955 Kowalczyk D8/82
- 270,177 * 1/1883 Brooks 411/402
- D. 271,937 * 12/1983 Combs D8/25
- D. 292,771 * 11/1987 Kim D8/25

1 Claim, 1 Drawing Sheet



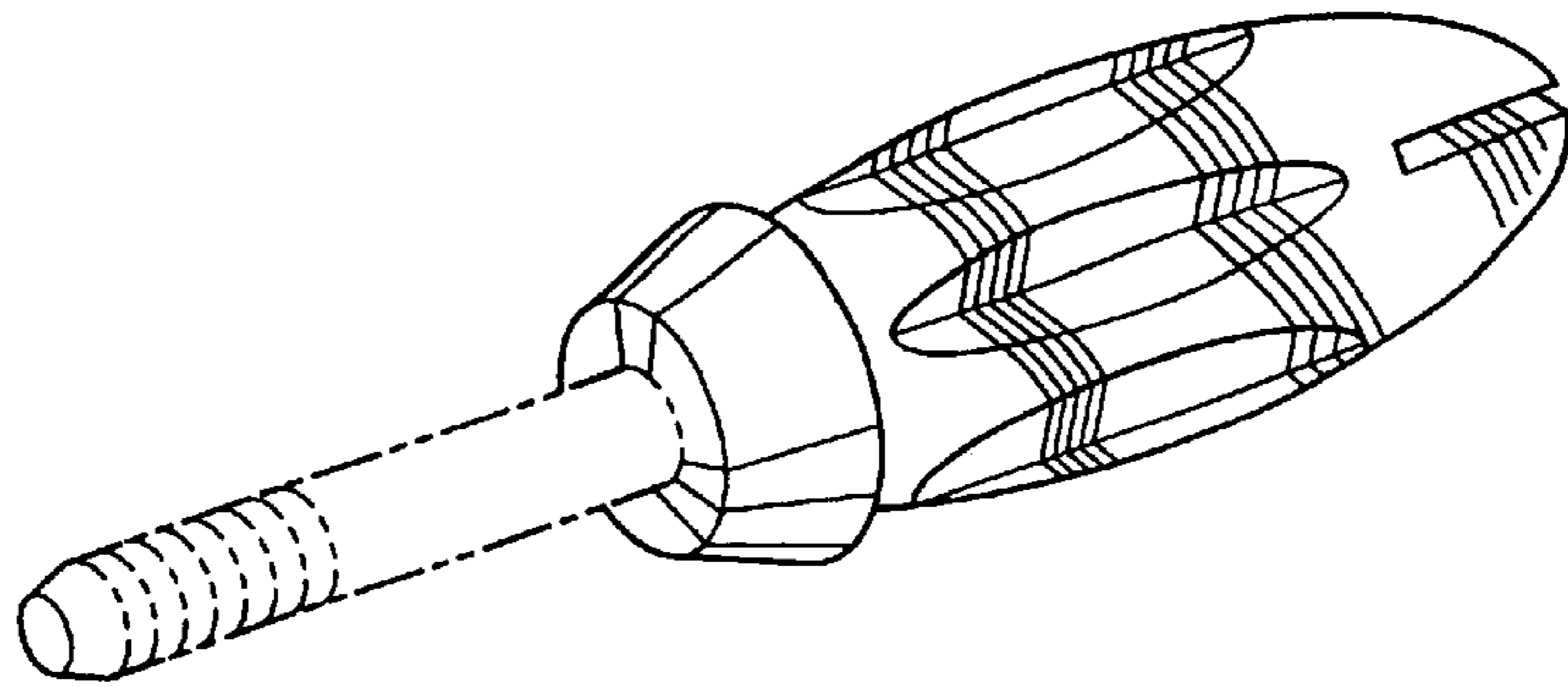


Fig-1

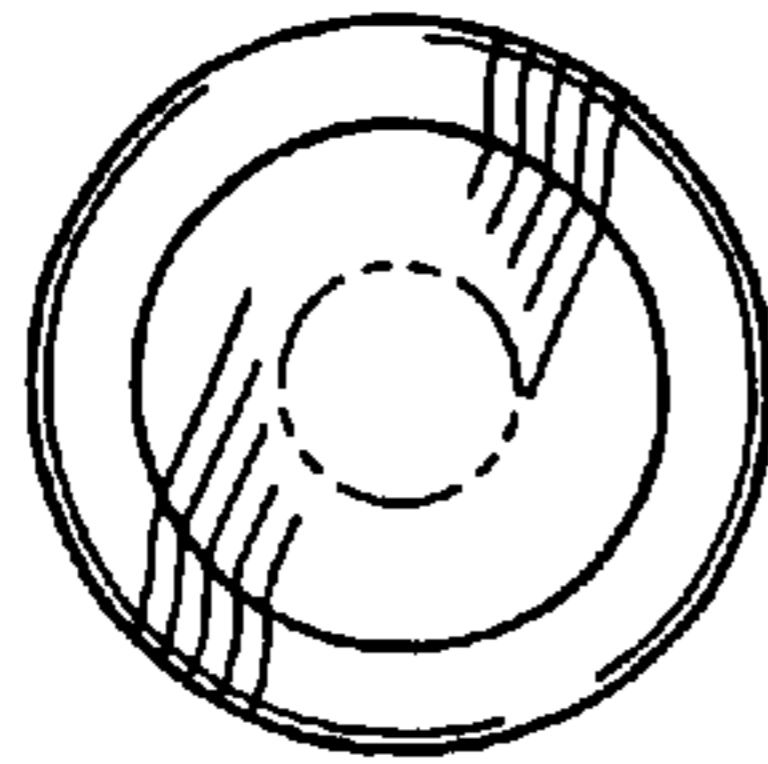


Fig-2

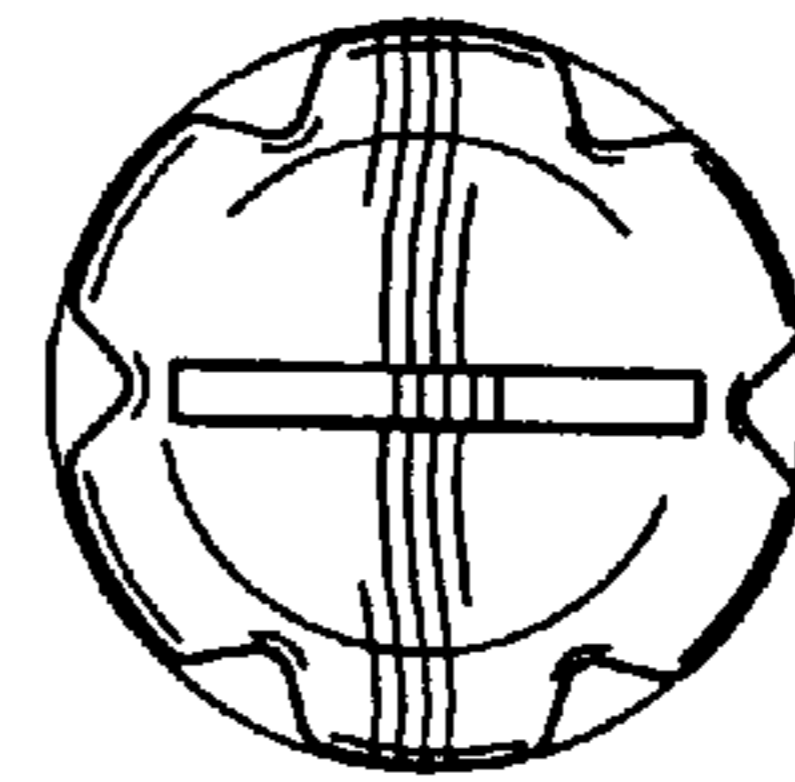


Fig-3

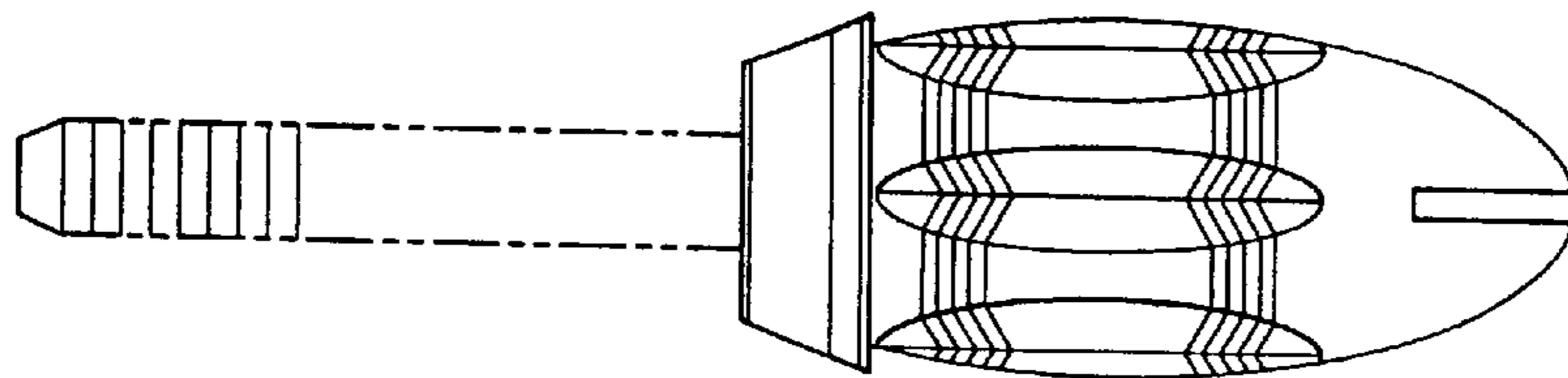


Fig-4

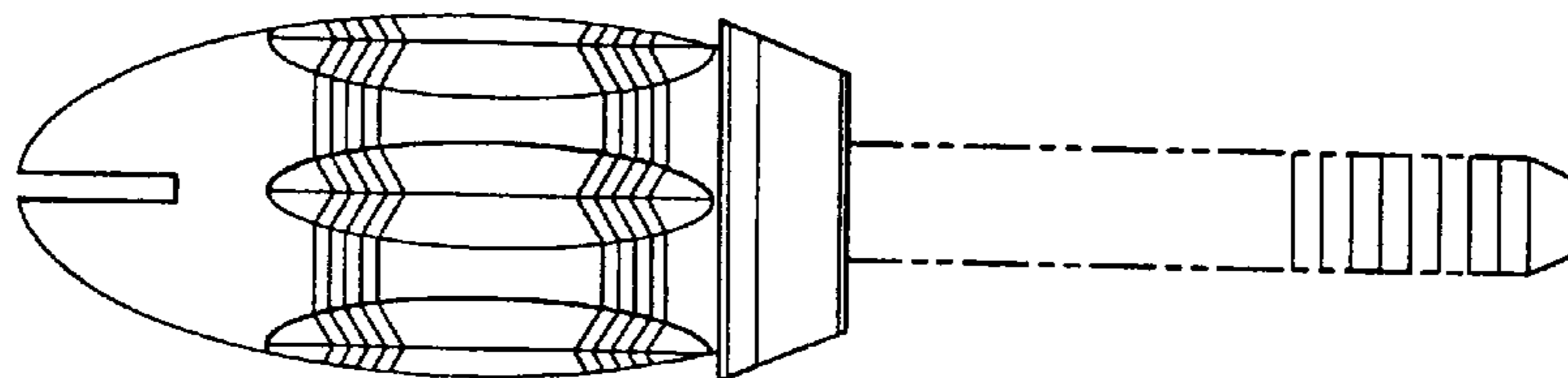


Fig-5