



US00D452426B1

(12) **United States Design Patent**  
**Milan**

(10) **Patent No.:** **US D452,426 S**

(45) **Date of Patent:** **\*\* Dec. 25, 2001**

(54) **MOLD PRODUCED DESIGN FOR A THUMB SCREW**

1,510,593 \* 10/1924 Harrold ..... 81/177.1  
5,341,707 \* 8/1994 Bond ..... 81/436

(76) **Inventor:** **Henry Milan**, 1709 Apple Ridge Ct.,  
Rochester Hills, MI (US) 48306

\* cited by examiner

(\*\*) **Term:** **14 Years**

*Primary Examiner*—Joel Sincavage

*Assistant Examiner*—Clare E. Heflin

(74) *Attorney, Agent, or Firm*—Marshall & Melhorn, LLC

(21) **Appl. No.:** **29/132,467**

(57) **CLAIM**

(22) **Filed:** **Nov. 10, 2000**

The ornamental design for a mold produced design for a thumb screw, as shown and described.

(51) **LOC (7) Cl.** ..... **08-08**

**DESCRIPTION**

(52) **U.S. Cl.** ..... **D8/387**; D8/107

(58) **Field of Search** ..... D8/382, 387, 83,  
D8/107, 82, DIG. 8; 411/408, 402; 81/177.1,  
489, 436-439

FIG. 1 is a perspective view of a mold produced design for a thumb screw showing my new design.

FIG. 2 is a rear view thereof.

FIG. 3 is a front view thereof.

FIG. 4 is a left side view thereof; and,

FIG. 5 is a right side view thereof.

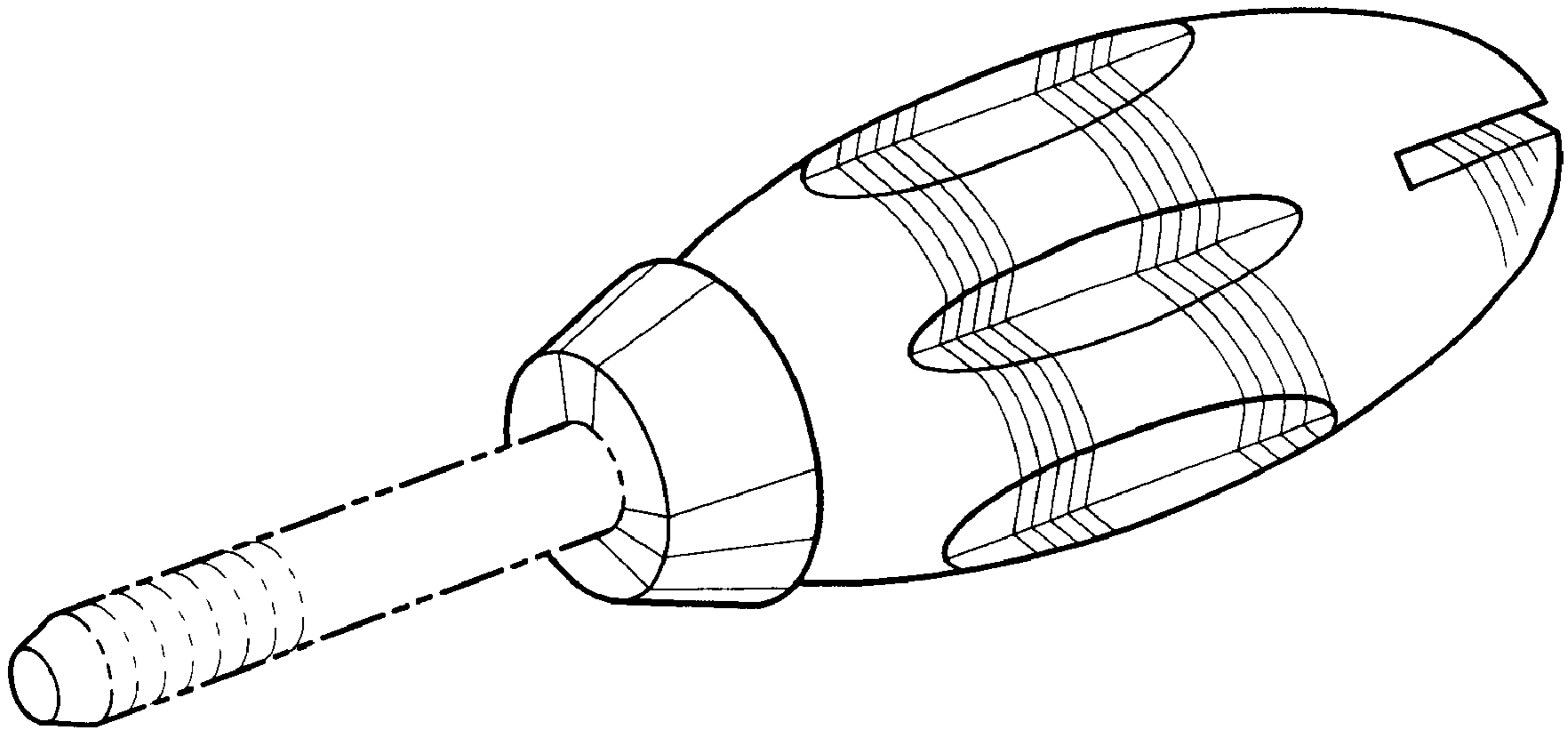
The broken lines showing a threaded shank are for illustrative purposes only and form no part of the claimed design.

(56) **References Cited**

**U.S. PATENT DOCUMENTS**

- D. 175,025 \* 6/1955 Kowalczyk ..... D8/82
- 270,177 \* 1/1883 Brooks ..... 411/402
- D. 271,937 \* 12/1983 Combs ..... D8/25
- D. 292,771 \* 11/1987 Kim ..... 81/436

**1 Claim, 1 Drawing Sheet**



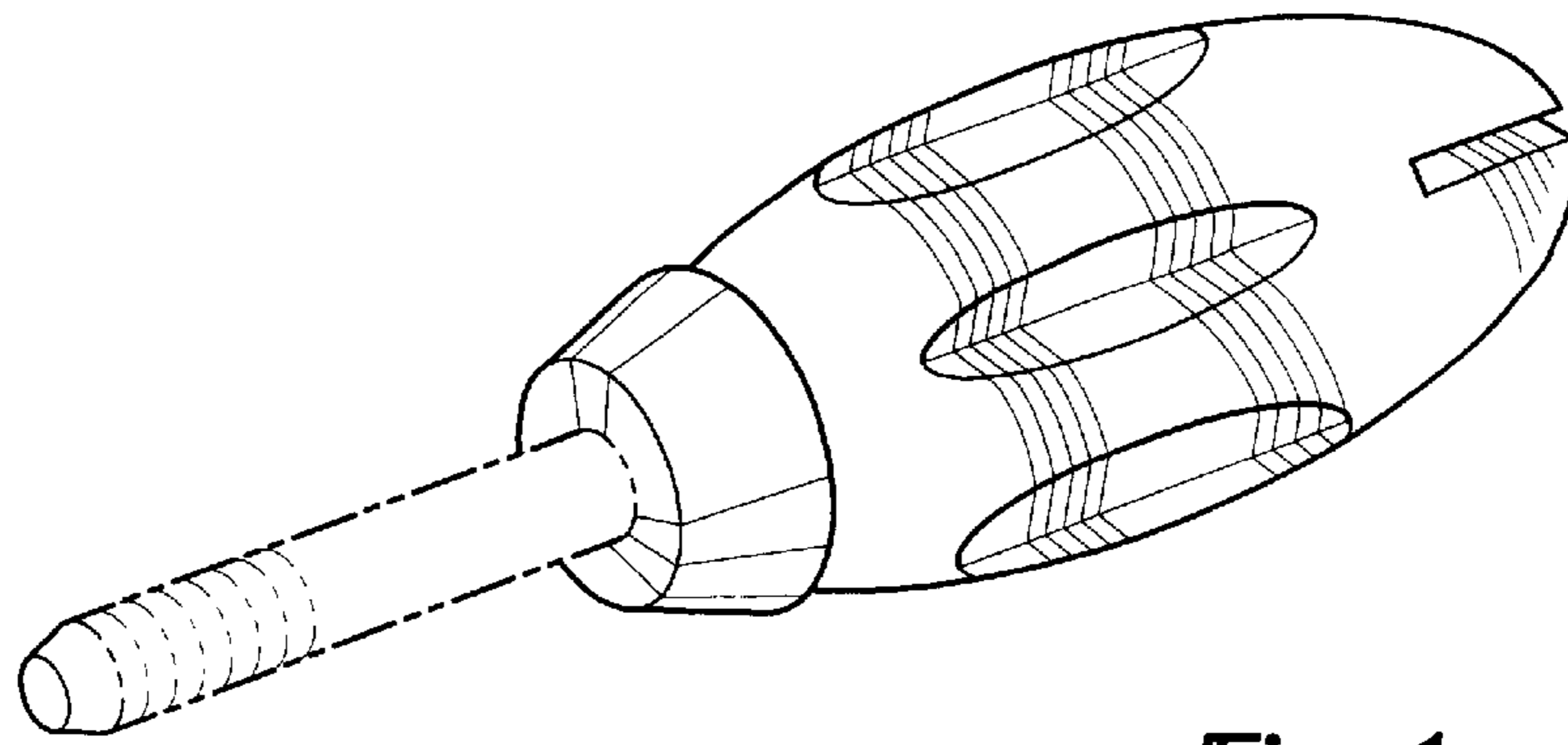


Fig-1

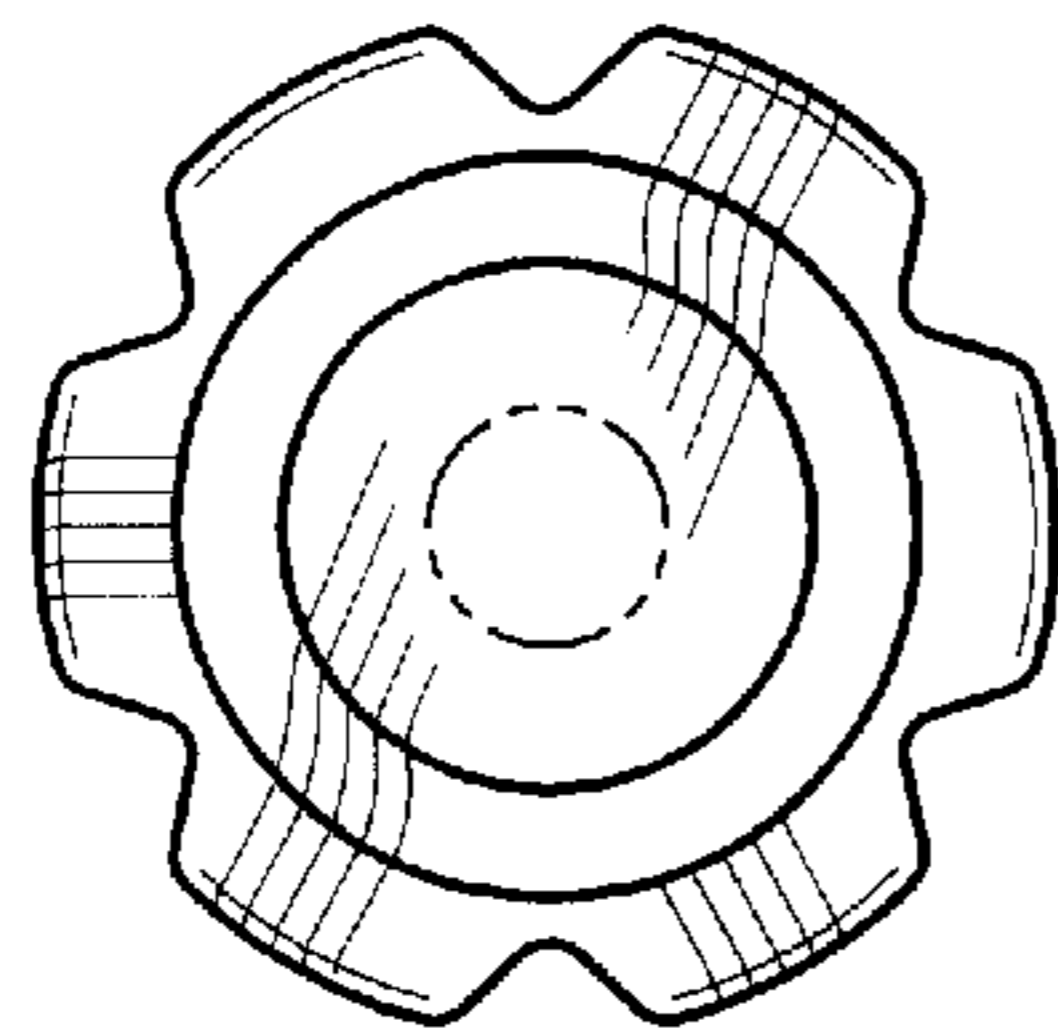


Fig-2

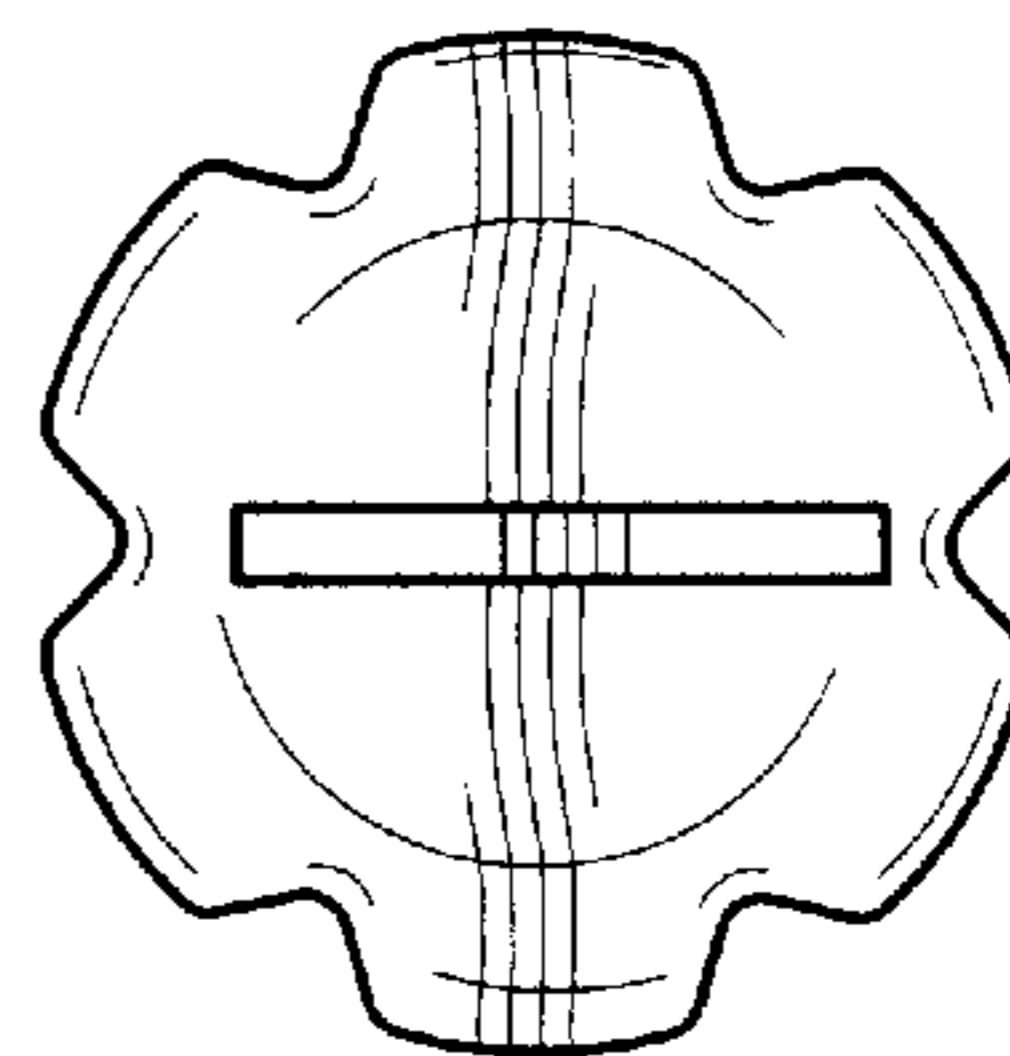


Fig-3

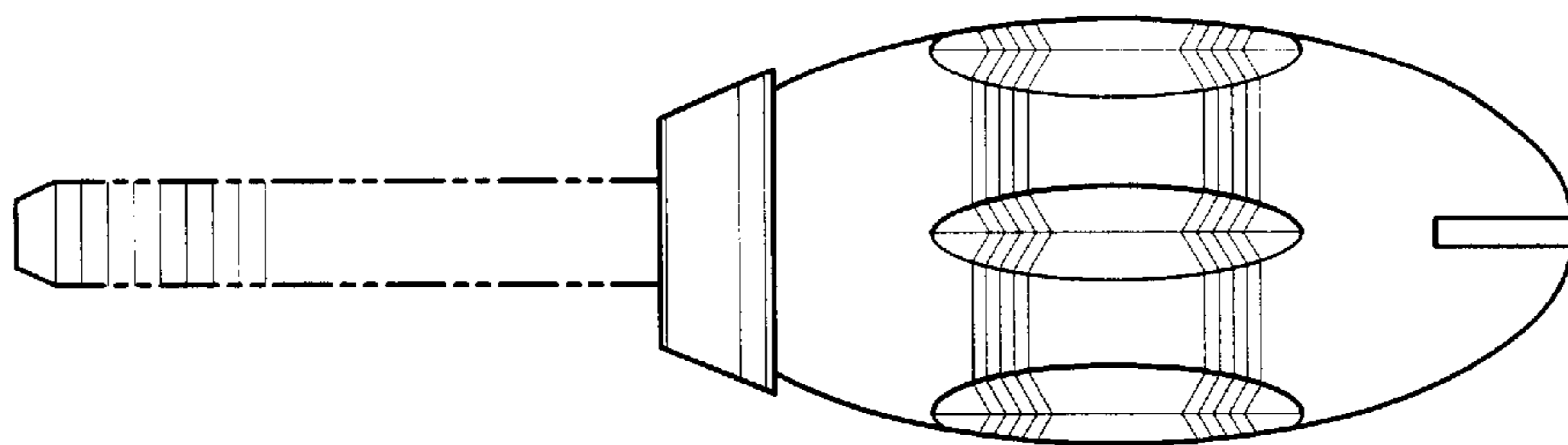


Fig-4

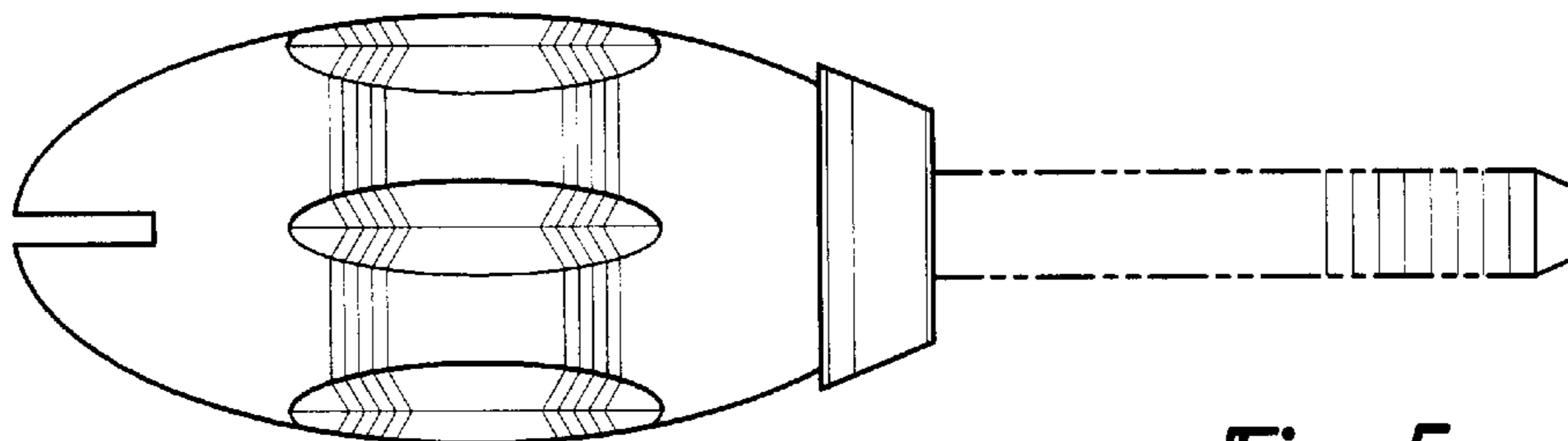


Fig-5