



US00D452425B1

(12) **United States Design Patent**
Sato et al.

(10) **Patent No.:** **US D452,425 S**

(45) **Date of Patent:** **** Dec. 25, 2001**

(54) **RIVET**

(75) Inventors: **Ikuo Sato**, Saitama; **Masayuki Nishizawa**, Aichi, both of (JP)

(73) Assignees: **Honda Giken Kogyo Kabushiki Kaisha**, Tokyo (JP); **Emhart, Inc.**, Newark, DE (US)

(**) Term: **14 Years**

(21) Appl. No.: **29/127,180**

(22) Filed: **Aug. 2, 2000**

(30) **Foreign Application Priority Data**

Mar. 30, 2000 (JP) 12-008011

(51) **LOC (7) Cl.** **08-08**

(52) **U.S. Cl.** **D8/386**

(58) **Field of Search** D8/382, 385, 386, D8/392, 393; 411/500, 501, 504, 485, 43

(56) **References Cited**

U.S. PATENT DOCUMENTS

- D. 218,582 * 9/1970 Kiester D8/393
- D. 285,650 * 9/1986 Lacey D8/386
- 388,458 * 8/1888 Shorey 411/501
- 619,516 * 2/1899 Tillotson 411/389

- 4,781,500 * 11/1988 Mauer 411/36
- 4,958,971 * 9/1990 Lacey et al. 411/38
- 5,044,850 * 9/1991 Getten et al. 411/43
- 5,645,383 * 7/1997 Williams 411/43
- 5,762,457 * 6/1998 Lide 411/405
- 6,254,324 * 7/2001 Smith et al. 411/34

FOREIGN PATENT DOCUMENTS

62-716180 7/1987 (JP) .

* cited by examiner

Primary Examiner—Joel Sincavage

Assistant Examiner—Clare E. Heflin

(74) *Attorney, Agent, or Firm*—Armstrong, Westerman, Hattori, McLeland & Naughton, LLP

(57) **CLAIM**

The ornamental design for a rivet, as shown and described.

DESCRIPTION

FIG. 1 is a front view of a rivet, showing our new design; FIG. 2 is a rear view thereof; FIG. 3 is a left side view thereof; FIG. 4 is a right side view thereof; FIG. 5 is a top plan view thereof; and, FIG. 6 is a bottom view.

1 Claim, 5 Drawing Sheets

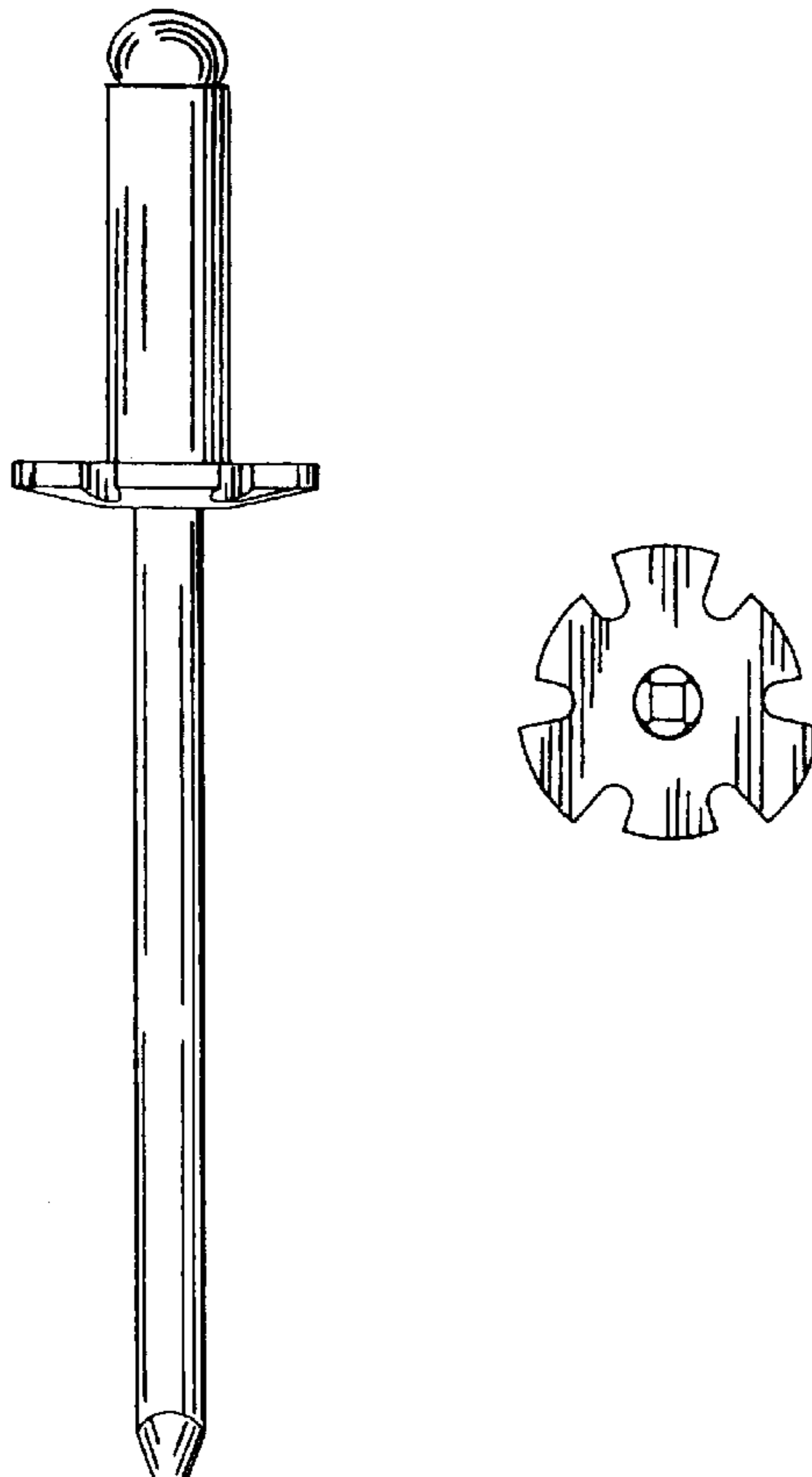


Fig. 1

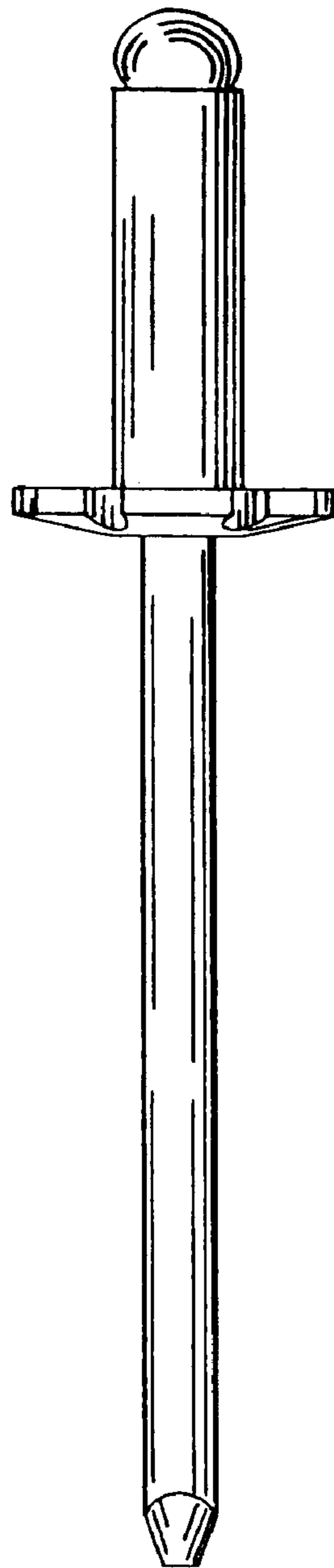


Fig.2

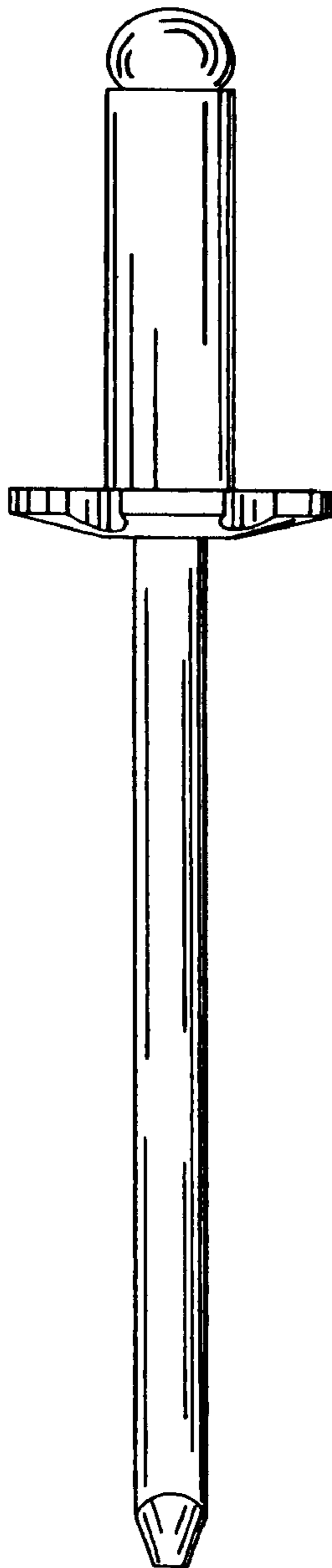


Fig.3

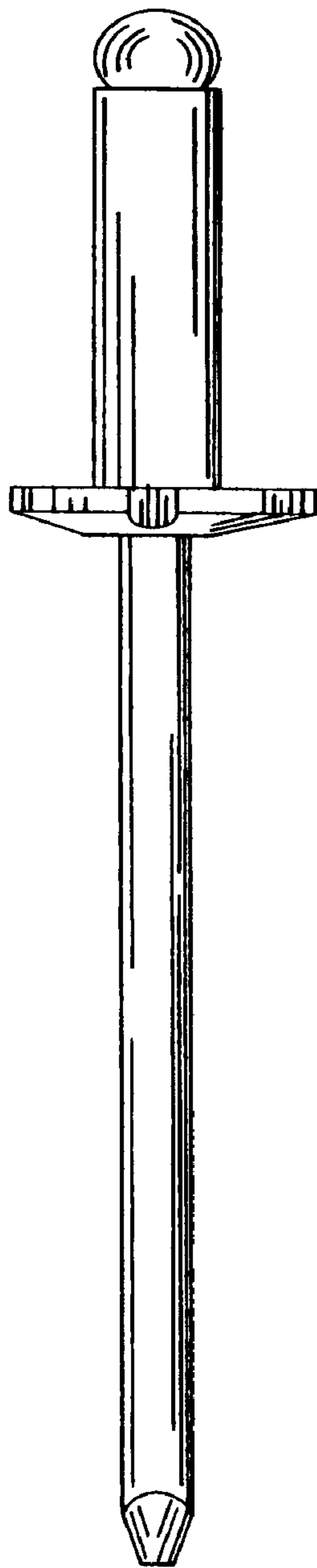


Fig.4

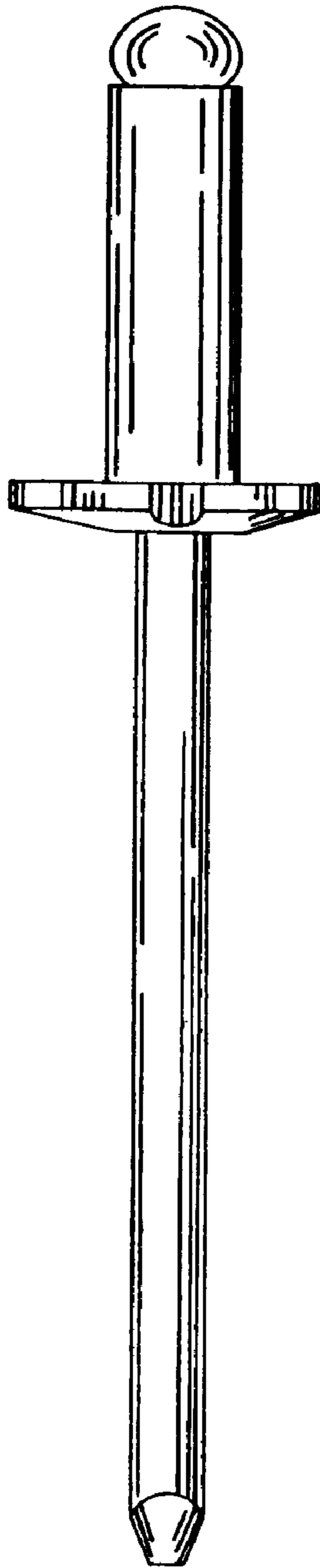


Fig.5

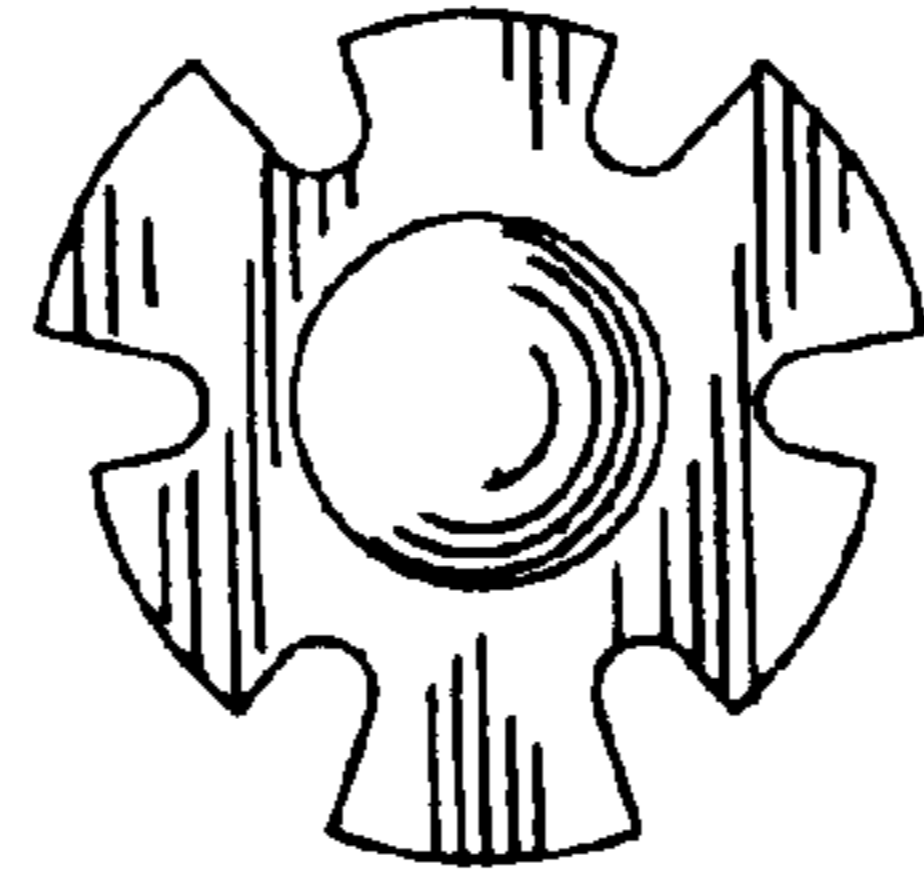


Fig.6

