



US00D452424B1

(12) **United States Design Patent**  
**Simpson, Sr.**

(10) **Patent No.:** **US D452,424 S**

(45) **Date of Patent:** **\*\* Dec. 25, 2001**

(54) **HANDLE MOUNTING ELEMENT FOR A HAND TOOL**

(76) **Inventor:** **David W. Simpson, Sr.**, 21900 State Rd. 60, Vero Beach, FL (US) 32966

(\*\*) **Term:** **14 Years**

(21) **Appl. No.:** **29/138,805**

(22) **Filed:** **Mar. 21, 2001**

(51) **LOC (7) Cl.** ..... **08-01**

(52) **U.S. Cl.** ..... **D8/107; D8/382**

(58) **Field of Search** ..... D8/1, 107, 320, D8/10, 382, 354; 15/DIG. 4, 176.1, 176.4, 176.2, 105.5, 145, 146; 294/56, 57; D4/132, 199; D32/50, 51; 16/125

(56) **References Cited**

**U.S. PATENT DOCUMENTS**

175,610	4/1876	Isham .	
205,667	7/1878	Miller .	
D. 221,616	* 8/1971	Hollander .....	D8/374
260,122	6/1882	Powell .	
D. 270,971	* 10/1983	Stevens et al. ....	D4/132
D. 294,233	* 2/1988	Myers .....	D8/10
D. 408,696	* 4/1999	Simpson, Sr. ....	D8/1
D. 409,885	* 5/1999	McKenzie .....	D8/10
D. 420,890	* 2/2000	Kuhnke .....	D8/354
D. 443,501	* 6/2001	Sleppy et al. ....	D4/132
641,925	1/1900	Blundell .	
983,613	2/1911	Fahy .	
1,685,141	9/1928	Schaefer .	

2,994,262	8/1961	Bator .	
3,952,812	4/1976	Lucan .....	172/375
4,169,509	10/1979	Lowman .....	172/375
4,538,847	* 9/1985	Lapshansky .....	294/51
4,886,125	12/1989	Reilly .....	172/371
5,004,053	4/1991	Martell .....	172/375
5,502,862	4/1996	Vosbikian .....	15/175
6,109,362	8/2000	Simpson, Sr. ....	172/375

\* cited by examiner

*Primary Examiner*—Alan P. Douglas

*Assistant Examiner*—Clare E. Heflin

(74) *Attorney, Agent, or Firm*—Tom Hamill, Jr.

(57) **CLAIM**

I claim the ornamental design for the handle mounting element for a hand tool, as shown and described.

**DESCRIPTION**

FIG. 1 is a top view of the handle mounting element for a hand tool;

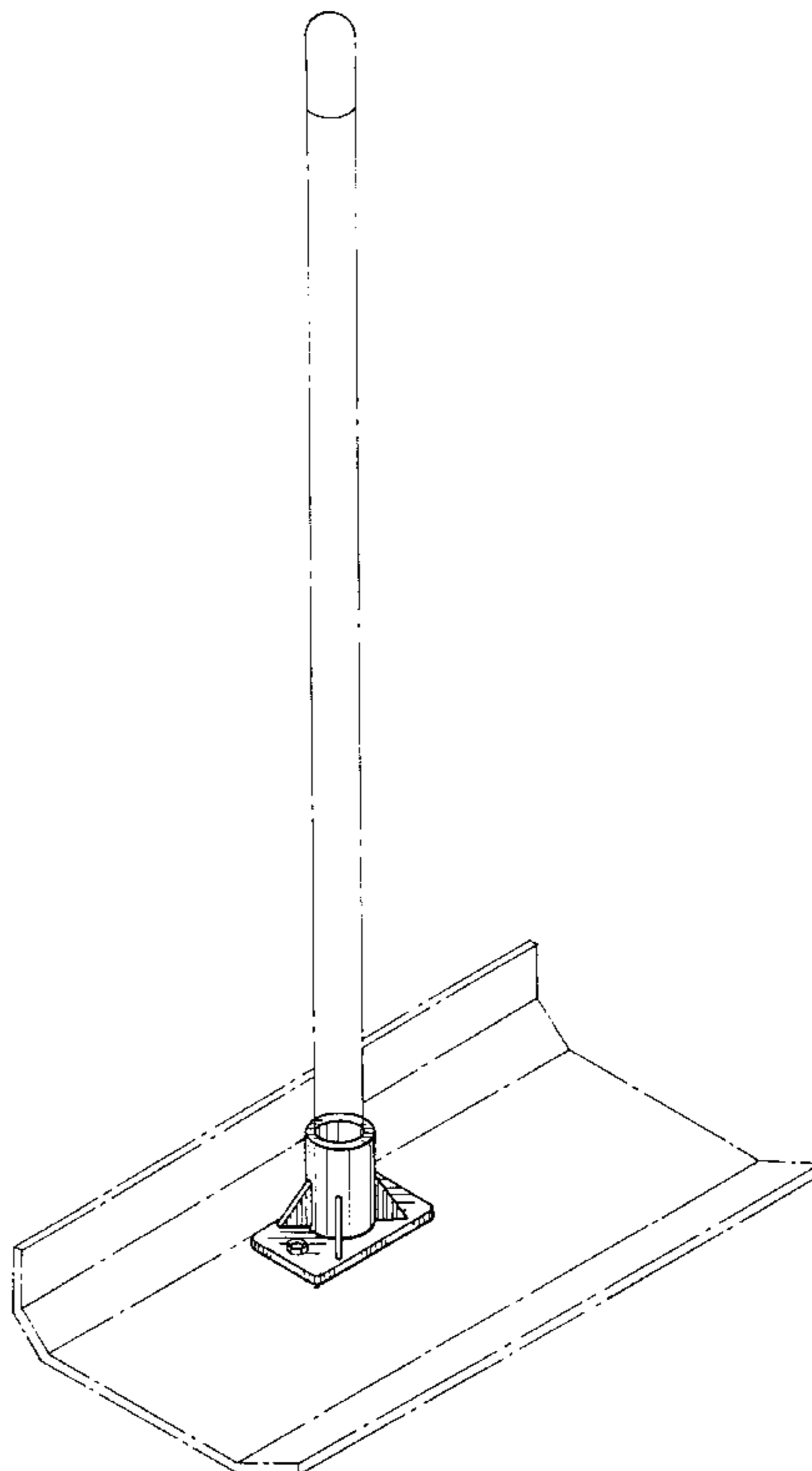
FIG. 2 is a bottom view of the handle mounting element for a hand tool;

FIG. 3 is a front side view and a rear side view for a handle mounting element for a hand tool;

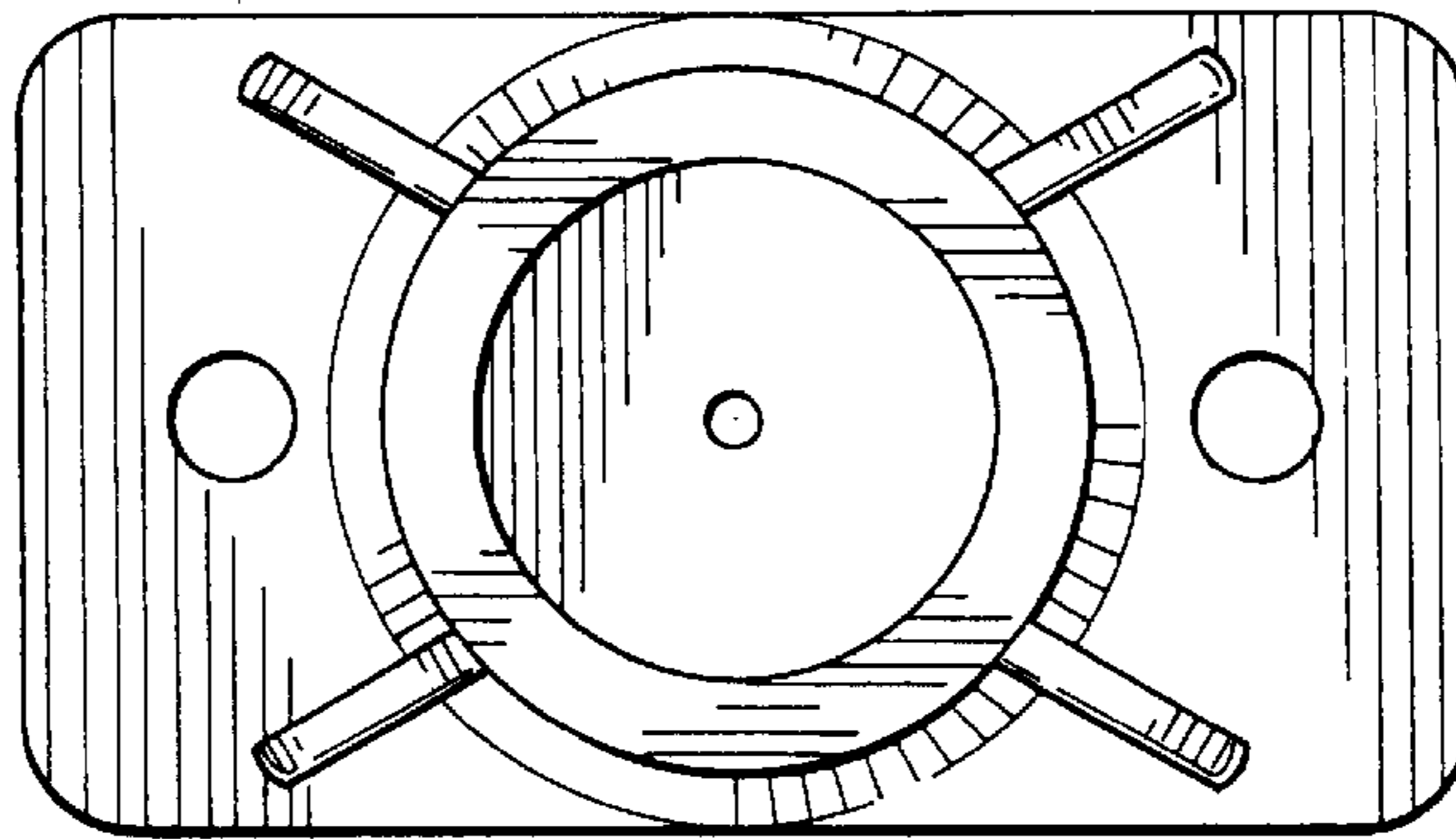
FIG. 4 is a right side view and a left side view for a handle mounting element for a hand tool; and,

FIG. 5 is an environmental perspective view of the handle mounting element for a hand tool, the dashed lines forming no part of the claimed design.

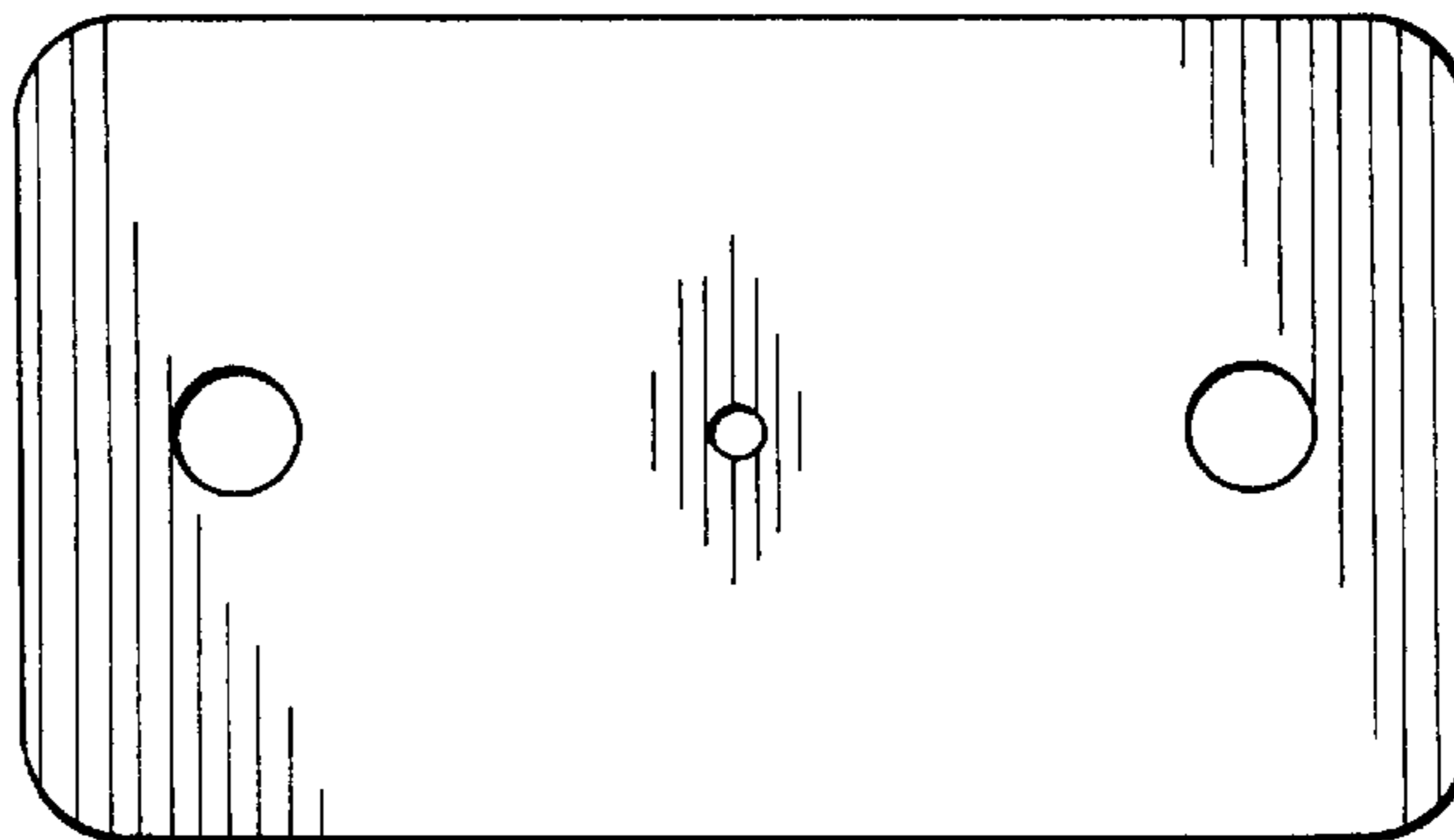
**1 Claim, 2 Drawing Sheets**



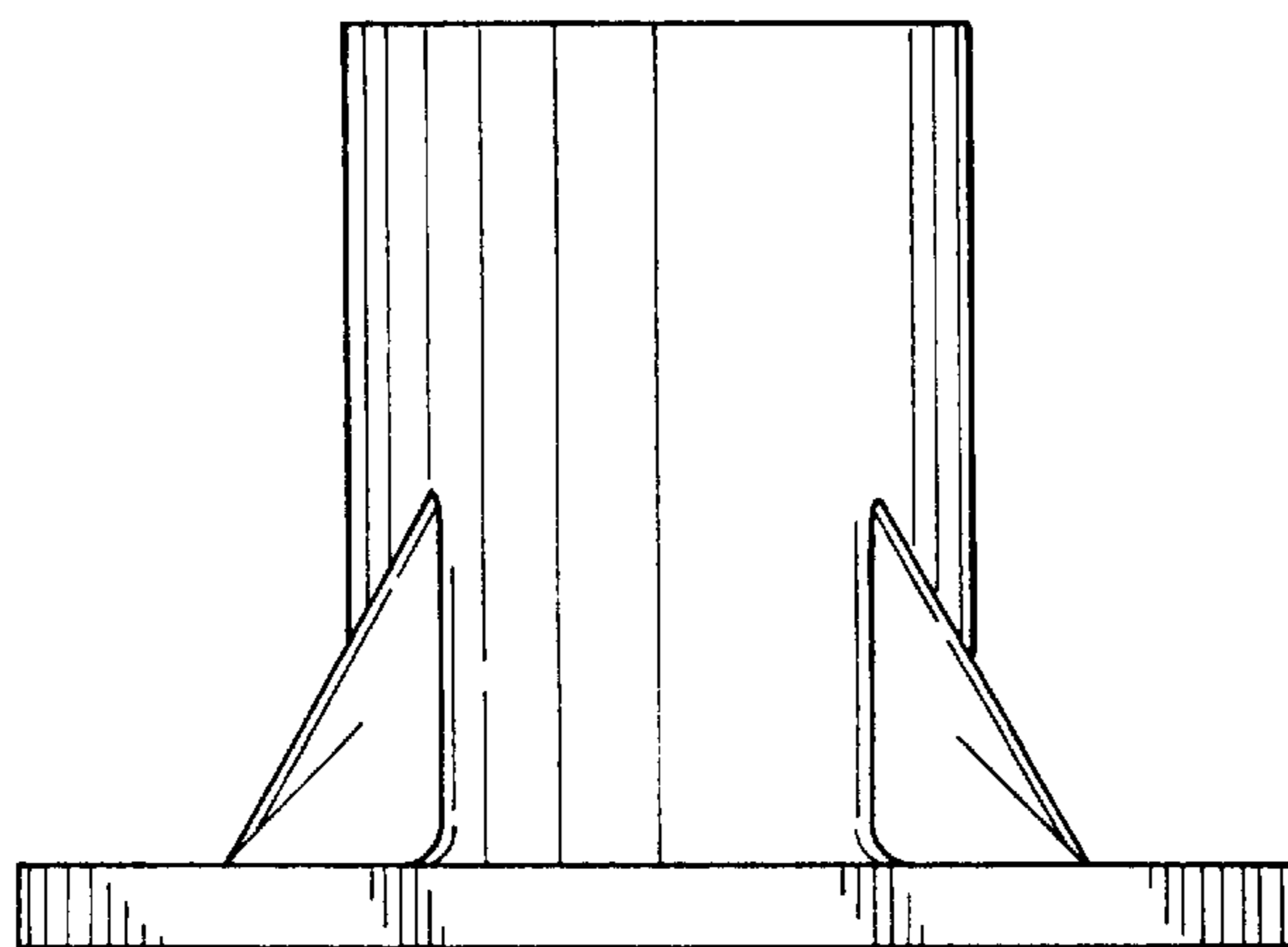
*Fig.1*



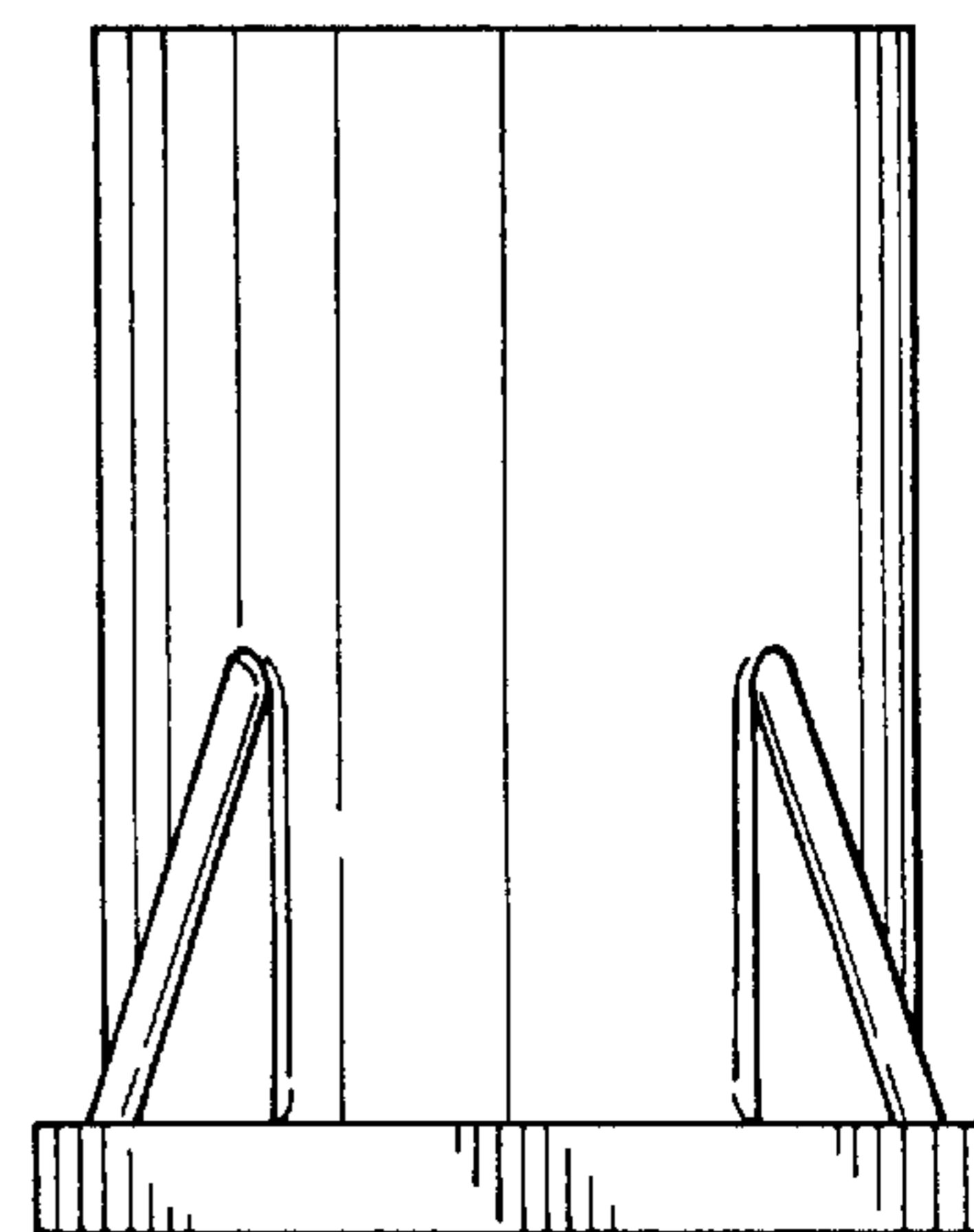
*Fig.2*



*Fig.3*



*Fig.4*



*Fig.5*

