



US00D452422B1

(12) **United States Design Patent**
Kelley

(10) **Patent No.:** **US D452,422 S**

(45) **Date of Patent:** **** Dec. 25, 2001**

(54) **TILE SPACER REMOVER TOOL**

6,230,592 * 5/2000 Hsiao 81/125

(76) Inventor: **Daniel E. Kelley**, 31327 Emperor Dr.,
Canyon Lake, CA (US) 92587

* cited by examiner

(**) Term: **14 Years**

Primary Examiner—Alan P. Douglas

Assistant Examiner—Clare E. Heflin

(74) *Attorney, Agent, or Firm*—Loyal McKinley Hanson

(21) Appl. No.: **29/143,269**

(57) **CLAIM**

(22) Filed: **Jun. 11, 2001**

The ornamental design for a tile spacer remover tool, as shown.

(51) **LOC (7) Cl.** **08-05**

(52) **U.S. Cl.** **D8/51; D8/14**

(58) **Field of Search** D8/14, 51, 71,
D8/72, 74; 81/488, 345, 3.42, 3.05, 3.55,
3.7, 3.8, 3.56

DESCRIPTION

FIG. 1 of the drawings is a perspective view showing the front, top, and right side of a tile spacer remover tool embodying the design of my invention;

FIG. 2 is a front view of the tool;

FIG. 3 is a side view of the left side;

FIG. 4 is a back view; and,

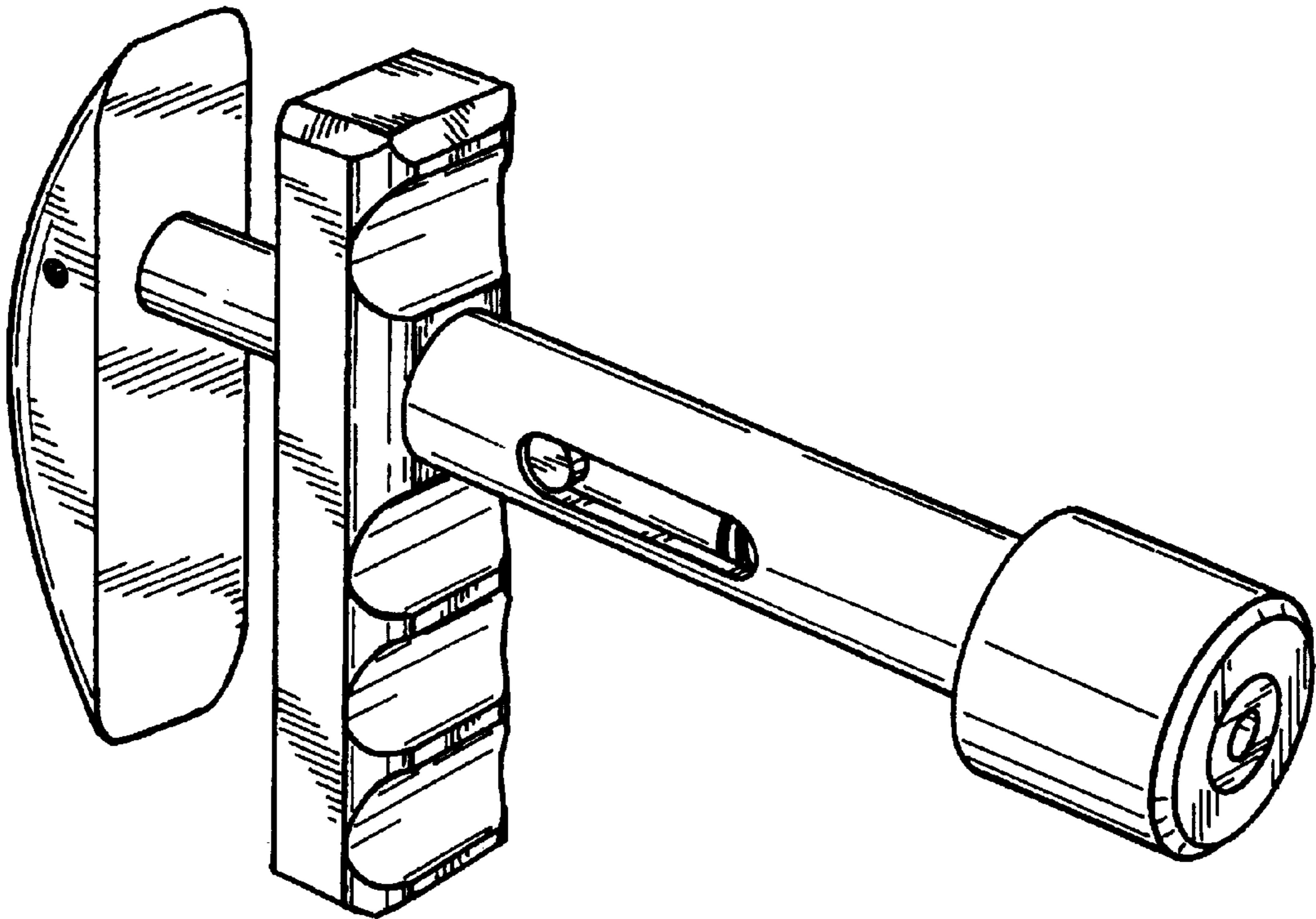
FIG. 5 is a bottom view.

(56) **References Cited**

U.S. PATENT DOCUMENTS

- D. 132,683 * 6/1942 Foster D8/51
- D. 406,069 * 2/1999 Boyce D10/64
- 3,342,090 * 9/1967 Martin D8/71

1 Claim, 2 Drawing Sheets



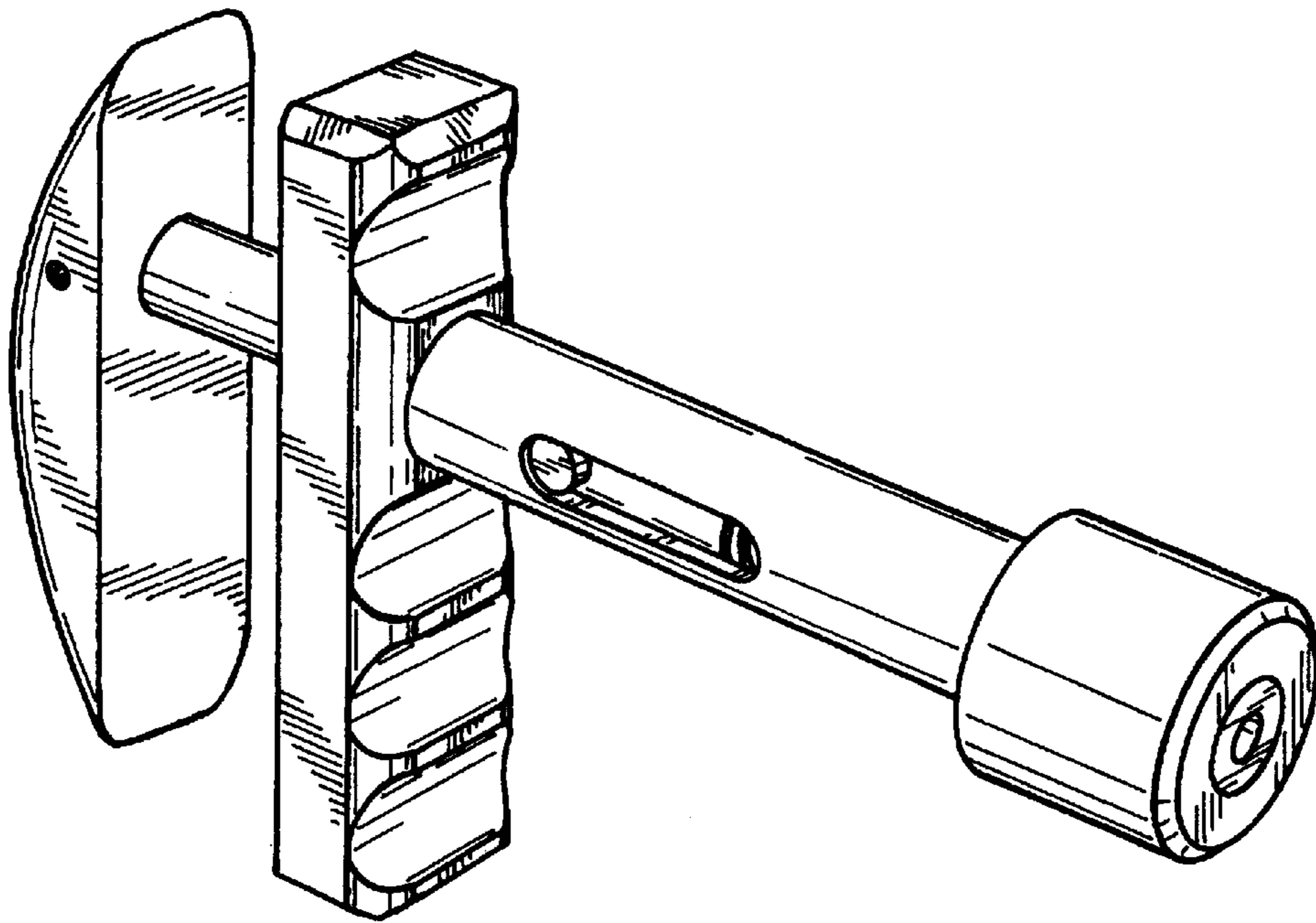


FIG. 1

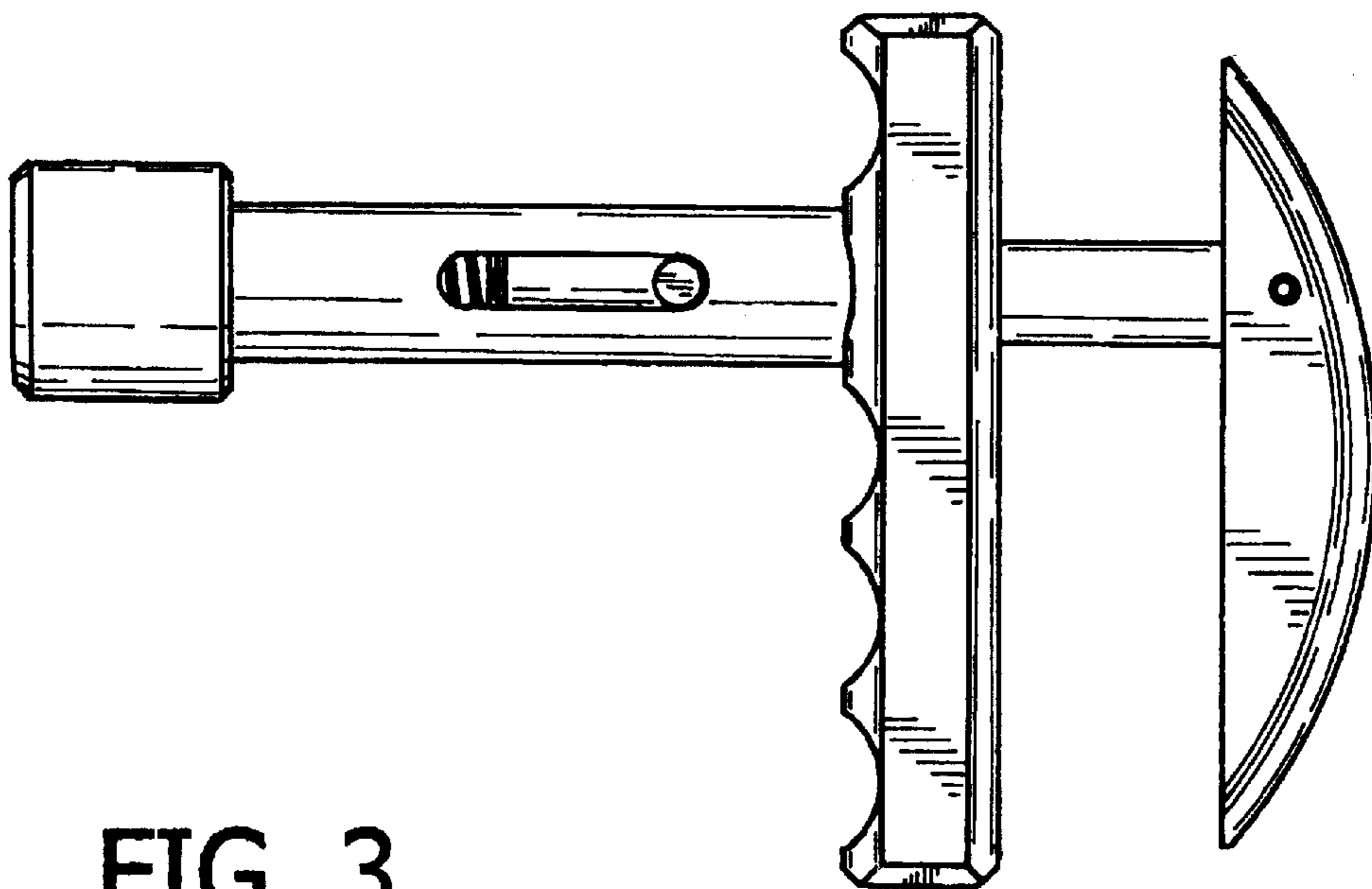


FIG. 3

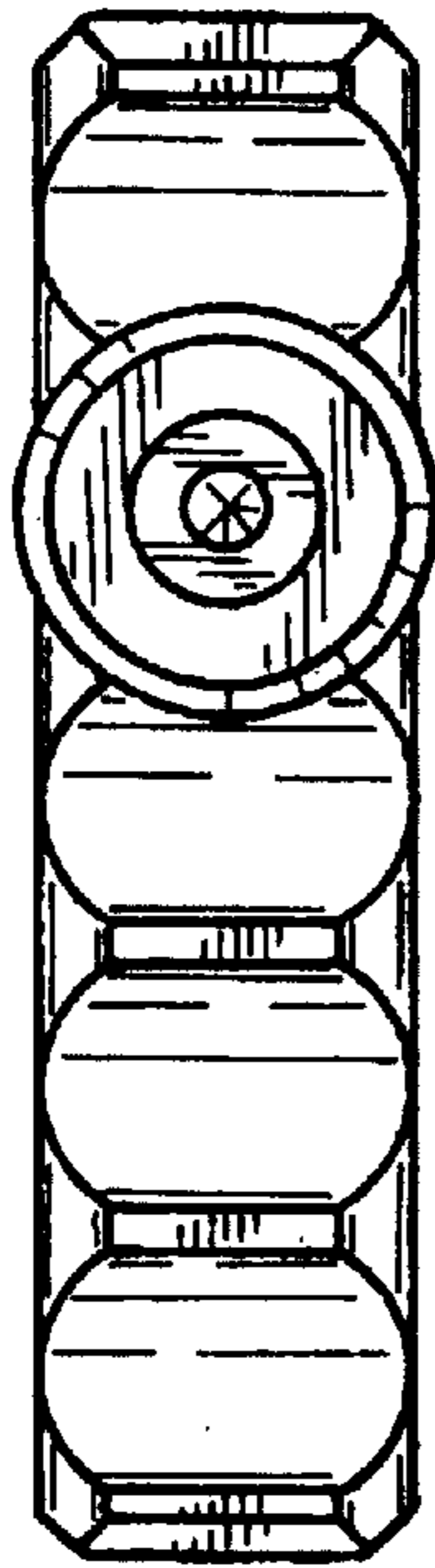


FIG. 2

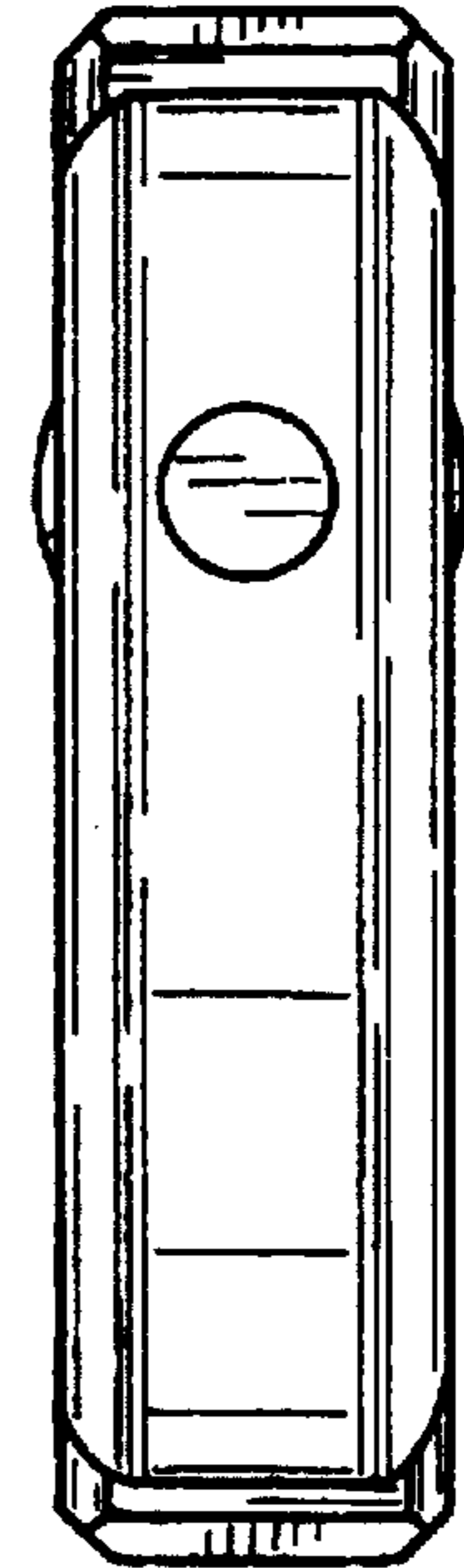


FIG. 4

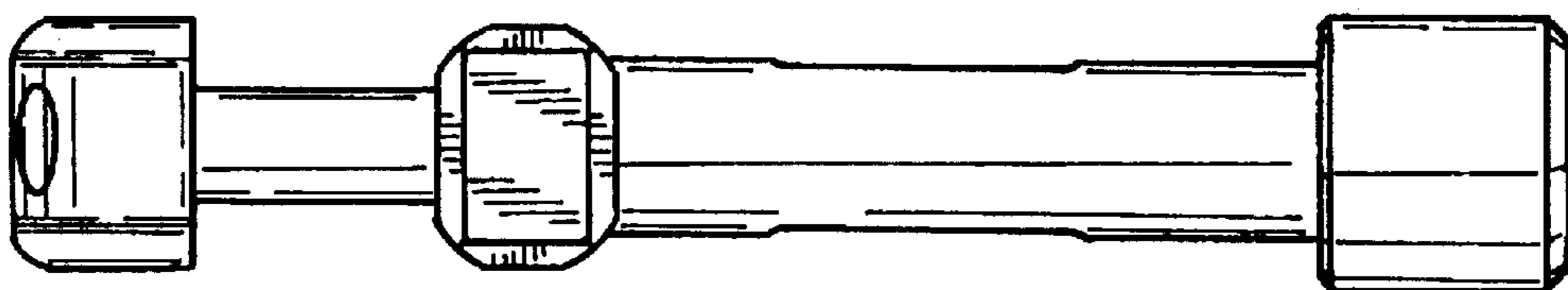


FIG. 5