



US00D452419B1

(12) **United States Design Patent**
Clivio

(10) **Patent No.:** **US D452,419 S**

(45) **Date of Patent:** **** Dec. 25, 2001**

(54) **HANDLE FOR GARDEN UTENSILS**

(75) Inventor: **Franco Clivio**, Erlenbach (CH)

(73) Assignee: **Gardena Kress + Kastner GmbH**
(DE)

(**) Term: **14 Years**

(21) Appl. No.: **29/137,599**

(22) Filed: **Feb. 24, 2001**

(30) **Foreign Application Priority Data**

Aug. 26, 2000 (DE) 4 00 08 365

(51) **LOC (7) Cl.** **08-01**

(52) **U.S. Cl.** **D8/1**

(58) **Field of Search** 16/422, 426, 111.1;
172/378; D8/1, 7, 9, 10, 11, 13, 107; 81/177.1-177.4

(56) **References Cited**

U.S. PATENT DOCUMENTS

- D. 291,862 * 9/1987 Kolonia D8/107
- D. 370,612 * 6/1996 Meakin et al. D8/10
- 5,682,641 * 11/1997 Newman, Jr. et al. 16/429

OTHER PUBLICATIONS

Pp. 1 and 59 of a catalog entitled "1997" published by Uniflex Utilitime S.p.A.

Pp. 1 and 46 of a catalog entitled "Werga Fiskars 2000", made available to the public in 1999.

2 pages of a catalog entitled "Gardena 2000", published by Gardena Kress + Kastner GmbH, made available to the public in 1999.

* cited by examiner

Primary Examiner—Holly Baynham

(74) *Attorney, Agent, or Firm*—Akerman Senterfitt

(57) **CLAIM**

The ornamental design for a handle for garden utensils, as shown and described.

DESCRIPTION

FIG. 1 is a side perspective view of a handle for garden utensils showing my new design;

FIG. 2 is a bottom plan view thereof;

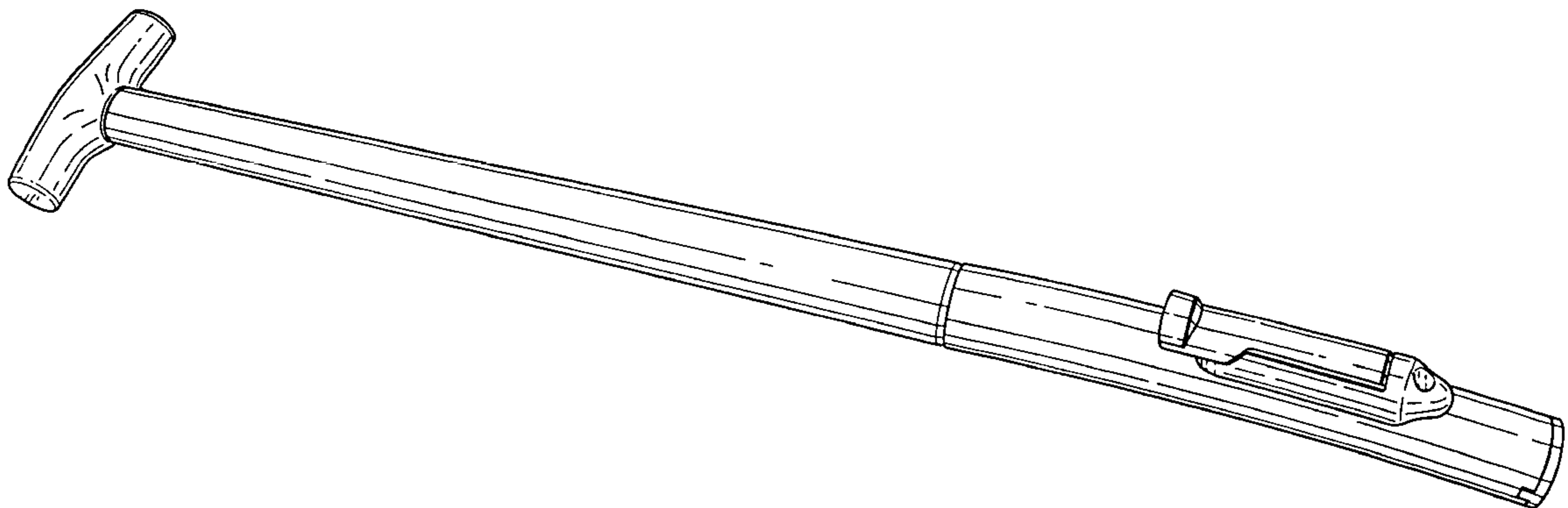
FIG. 3 is a top plan view thereof;

FIG. 4 is a rear elevation view thereof;

FIG. 5 is side elevation view thereof (the opposite side being a mirror image); and,

FIG. 6 is a front elevation view thereof.

1 Claim, 2 Drawing Sheets



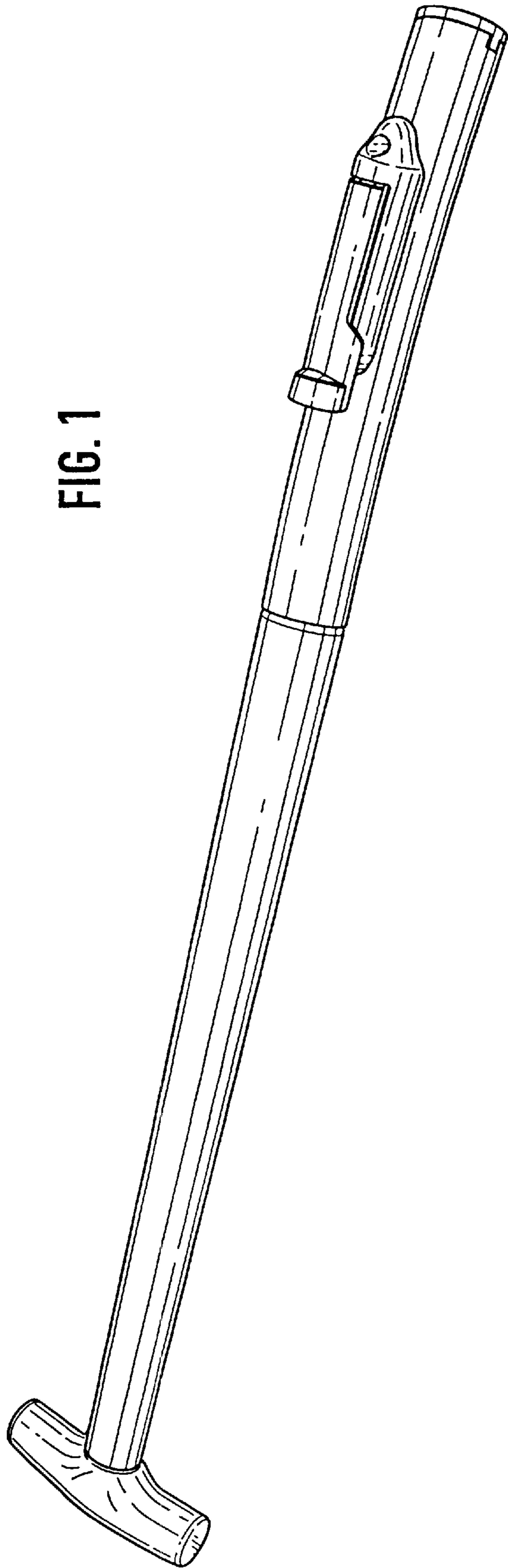


FIG. 1

FIG. 3

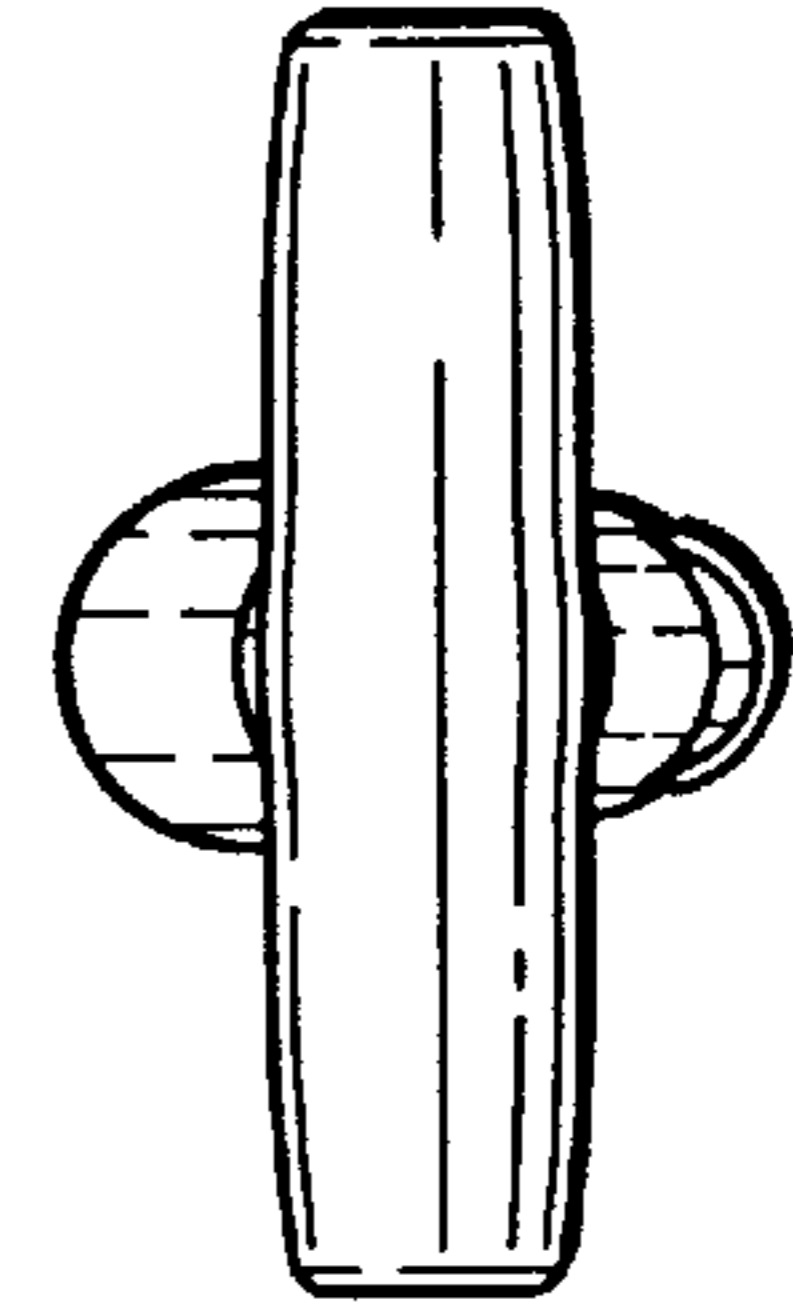
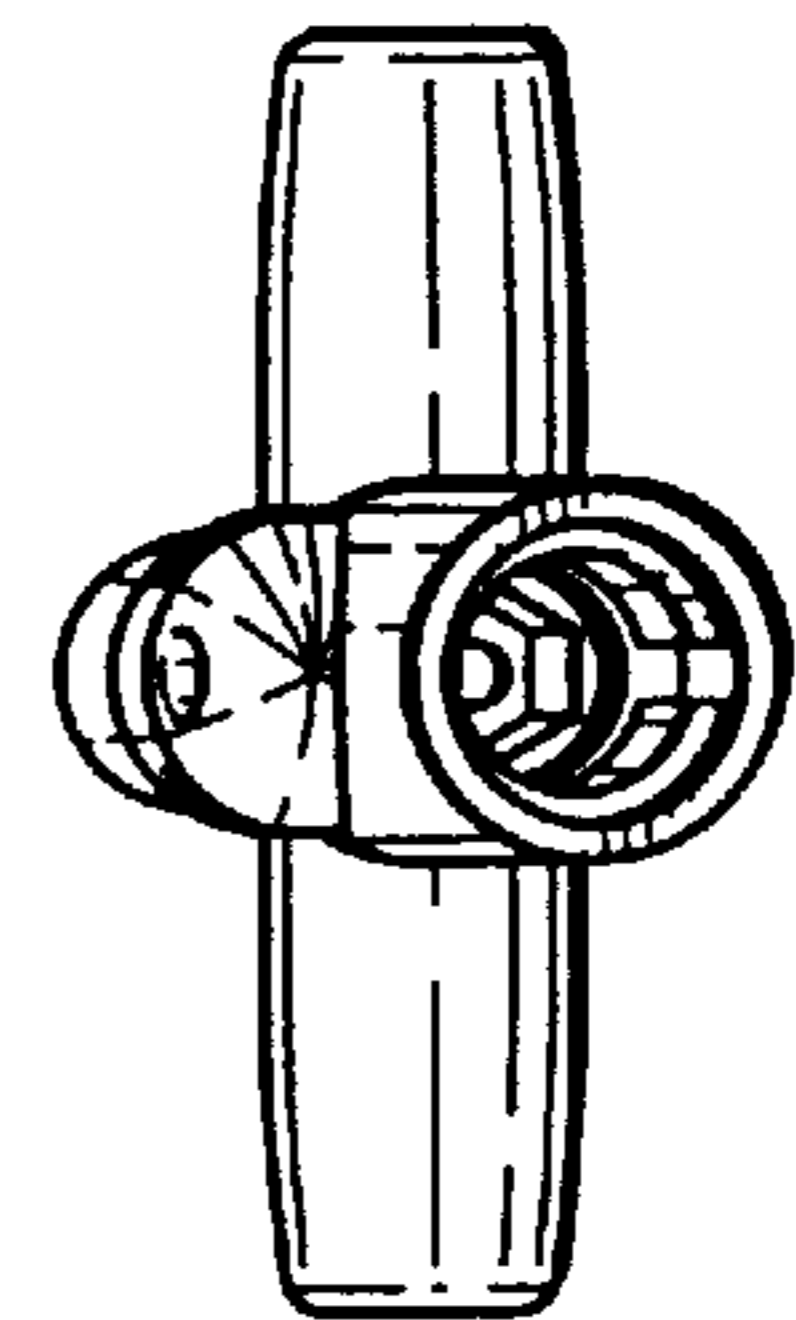


FIG. 2



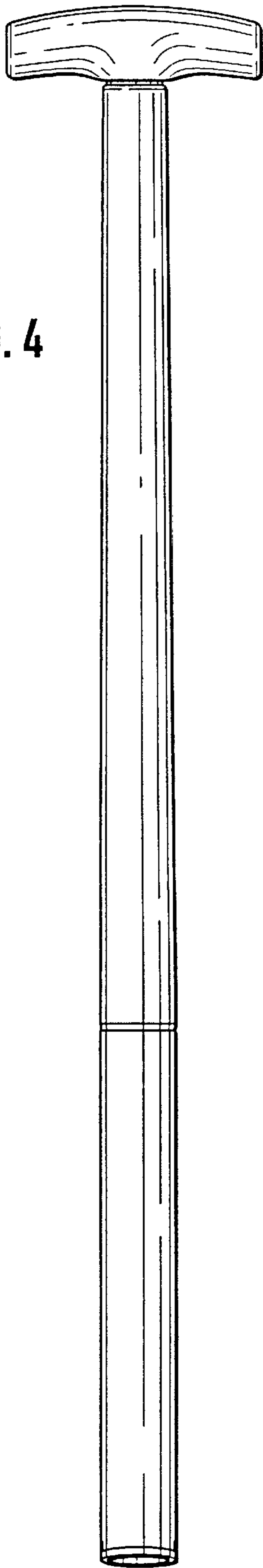


FIG. 4

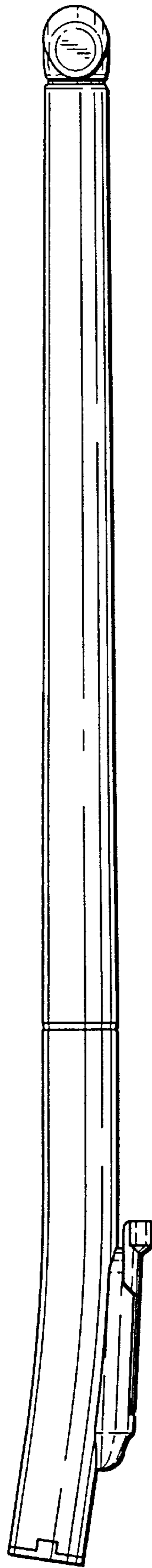


FIG. 5

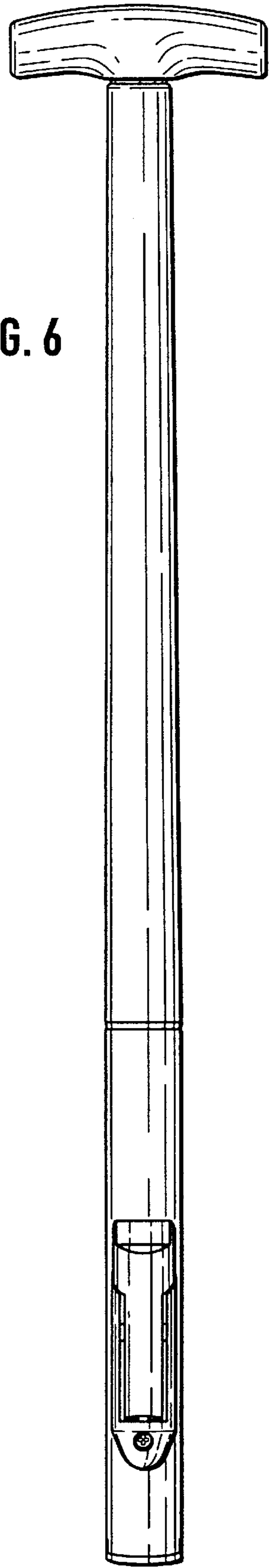


FIG. 6