



US00D452418B1

(12) **United States Design Patent**
Moffett, III et al.

(10) **Patent No.:** **US D452,418 S**

(45) **Date of Patent:** **** *Dec. 25, 2001**

(54) **DOUBLE ROLLING COOLER WITH CD AND CASSETTE PLAYER**

(76) Inventors: **Noah Moffett, III**, 1250 Dundale Ave., Norfolk, VA (US) 23513; **Andrew Moore**, 2502 Rice St., Chesapeake, VA (US) 23324

(*) Notice: This patent is subject to a terminal disclaimer.

(**) Term: **14 Years**

(21) Appl. No.: **29/100,984**

(22) Filed: **Feb. 22, 1999**

(51) **LOC (7) Cl.** **07-01**

(52) **U.S. Cl.** **D7/605**

(58) **Field of Search** D7/605; 62/457.1, 62/457.7, 371, 372; 220/592.16, 592.17, 592.2, 592.23-592.27, 915.1, 915.2; 280/43.1, 43.24, 651, 652, 645, 47.37

(56) **References Cited**

U.S. PATENT DOCUMENTS

D. 286,252 * 10/1986 Goodwin D7/605

D. 343,765 * 2/1994 Khan D7/605
D. 375,022 * 10/1996 Smith D7/605
D. 396,779 * 8/1998 Moffett, III et al. D7/605
D. 401,479 * 11/1998 Norman et al. D7/605
5,259,215 * 11/1993 Rocca 62/371
5,407,218 * 4/1995 Jackson 280/47.37 X

* cited by examiner

Primary Examiner—Terry A. Wallace

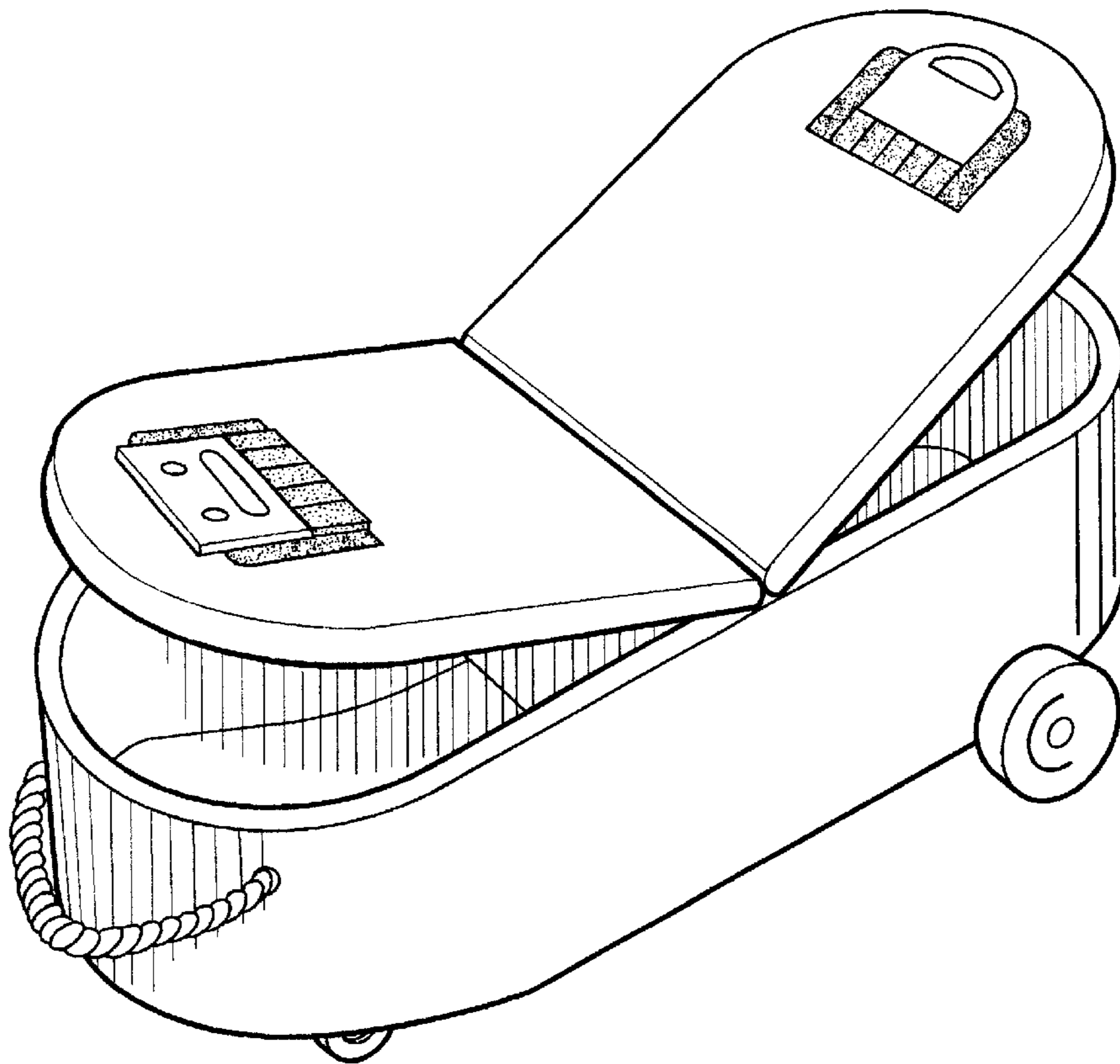
(57) **CLAIM**

The ornamental design for a double rolling cooler with CD and cassette player, as shown and described.

DESCRIPTION

FIG. 1 is a front leftside perspective view of a double rolling cooler showing my new design;
FIG. 2 is a front elevation view thereof;
FIG. 3 is a rear elevation view thereof;
FIG. 4 is a leftside elevation view thereof; with lid in a closed position.
FIG. 5 is a rightside elevation view thereof; and with the lid in a closed position.
FIG. 6 is a top plan view thereof; and,
FIG. 7 is a bottom plan view thereof.

1 Claim, 3 Drawing Sheets



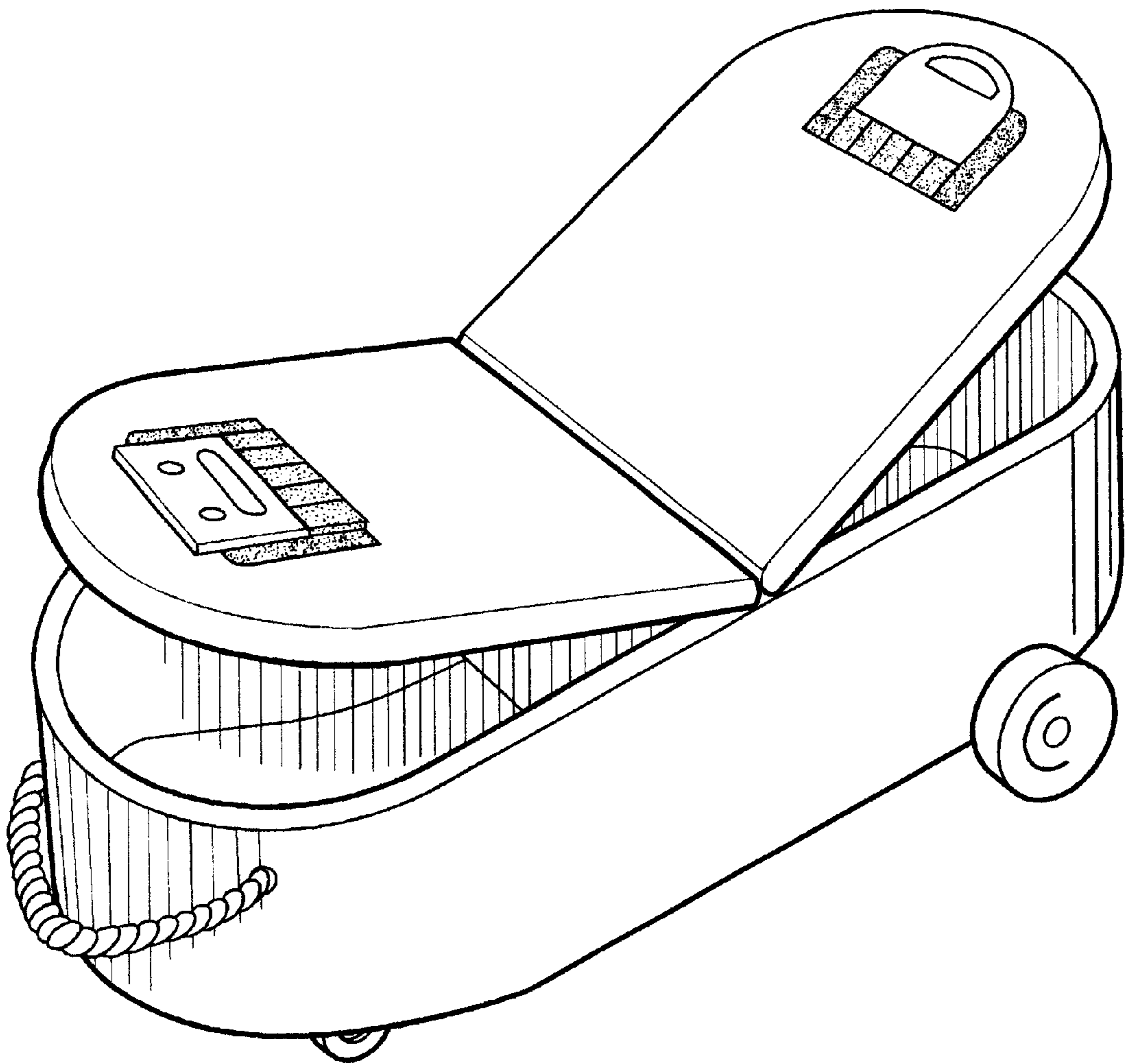


FIG. 1

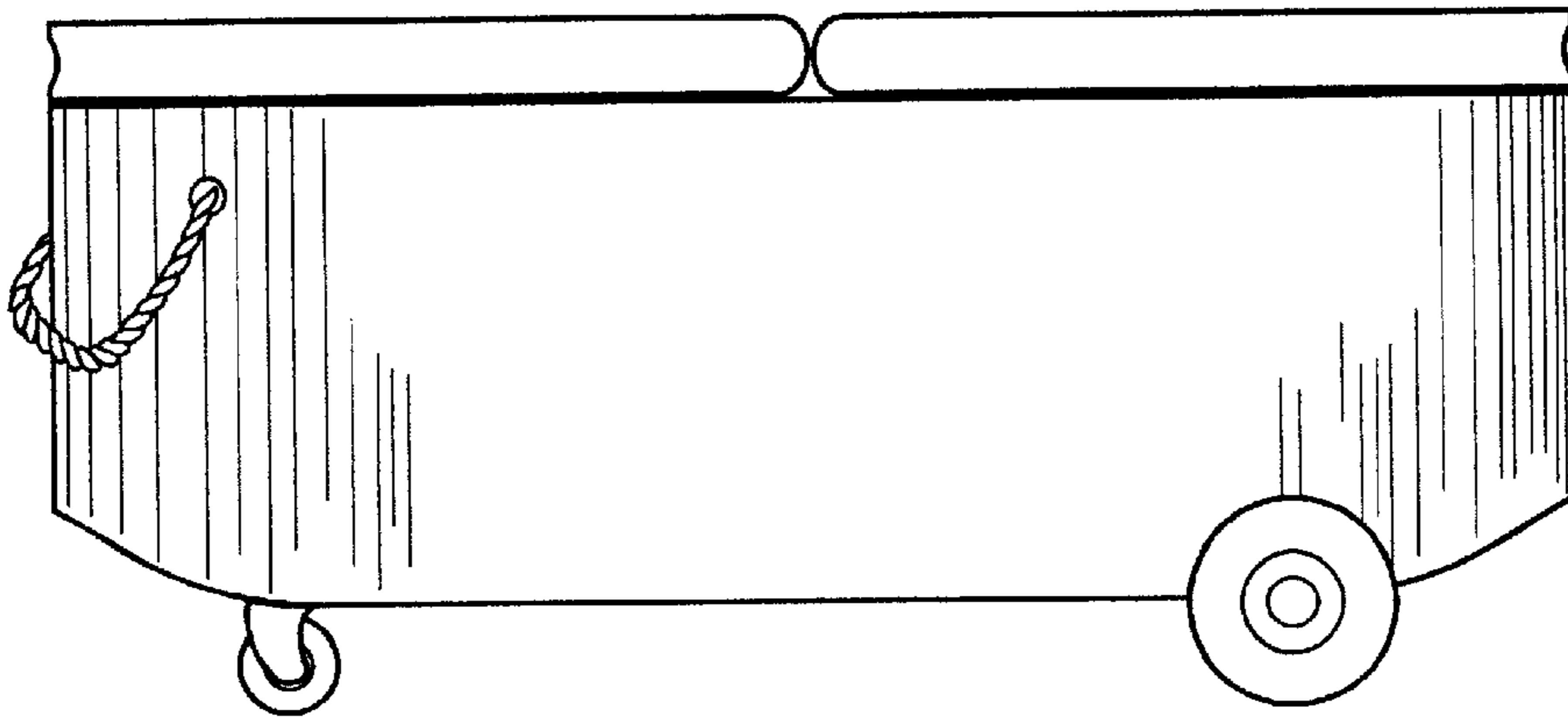


FIG. 2

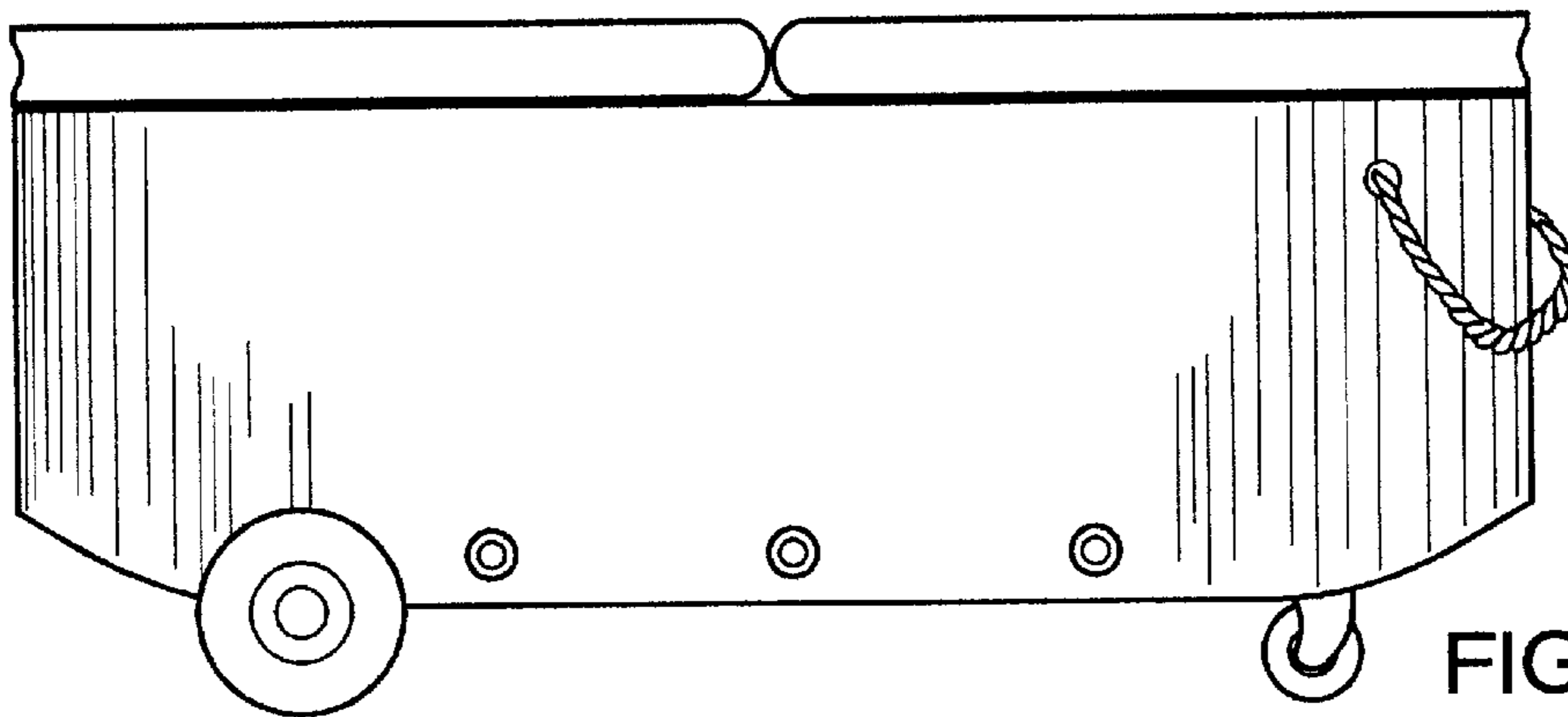


FIG. 3

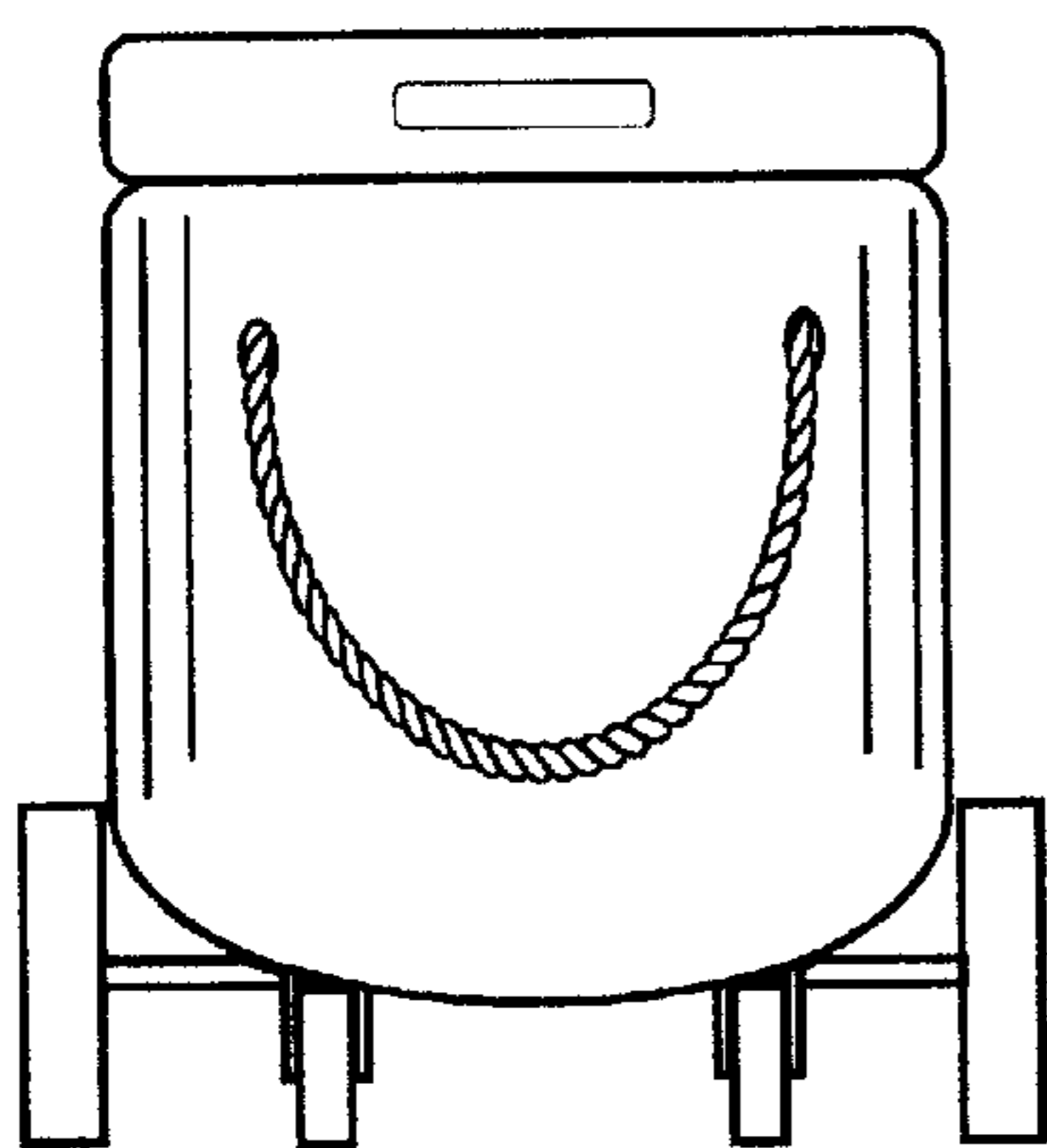


FIG. 4

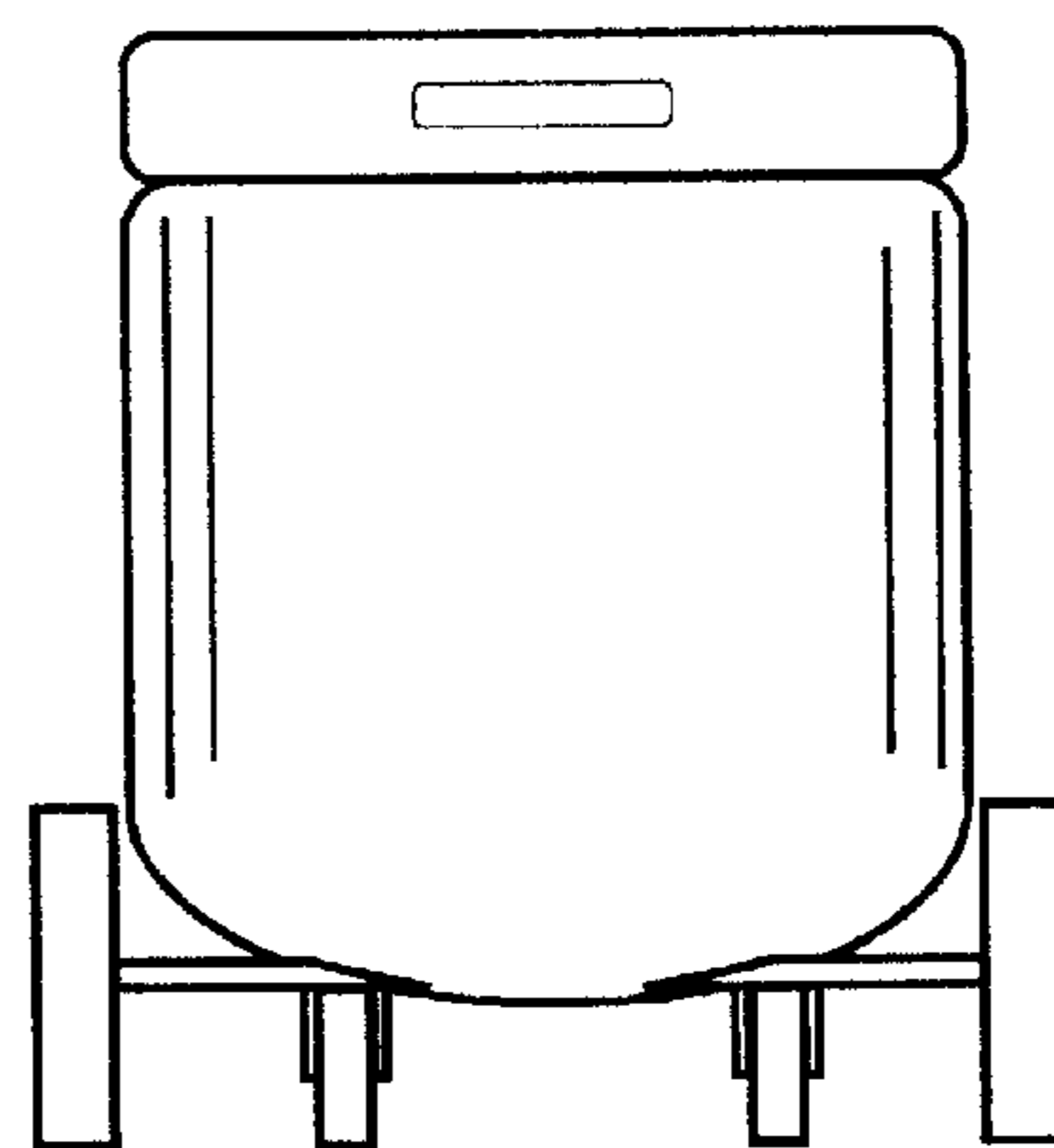


FIG. 5

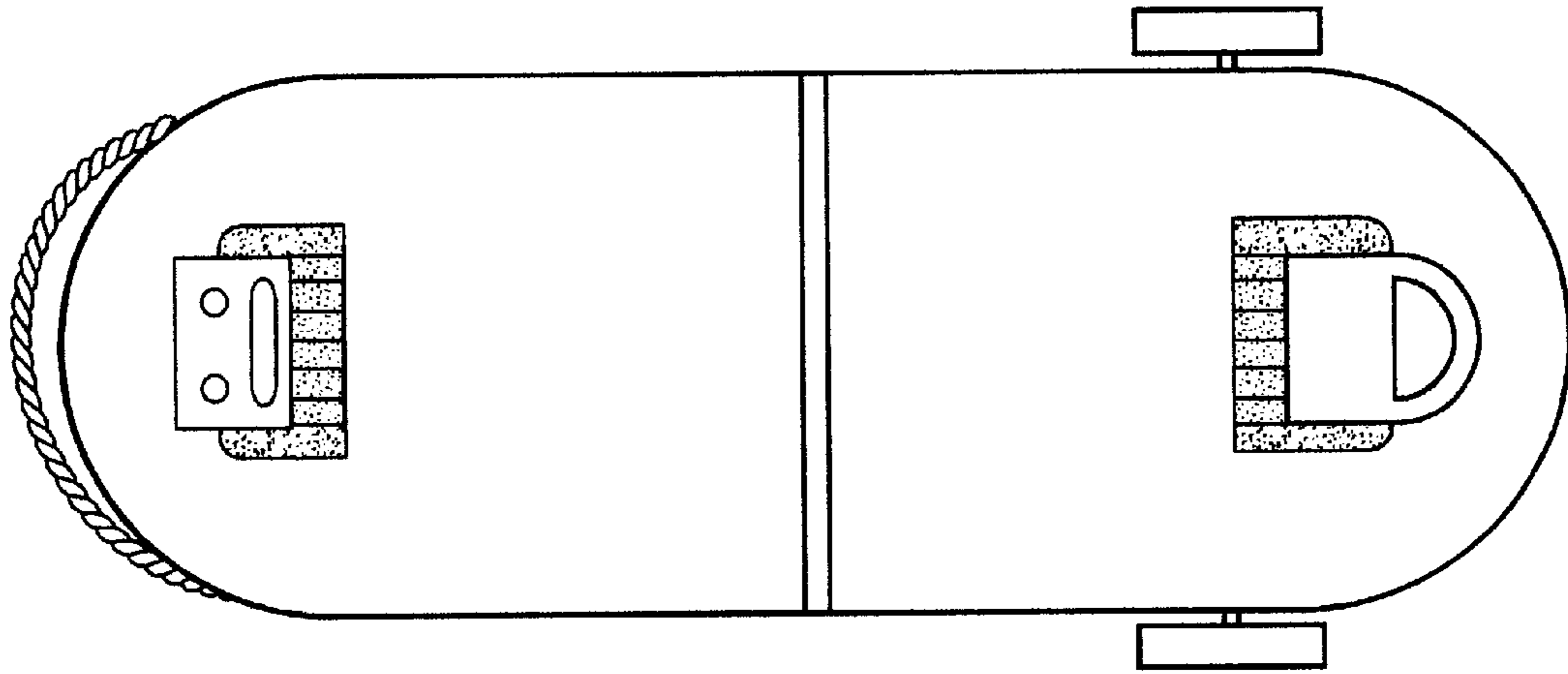


FIG. 6

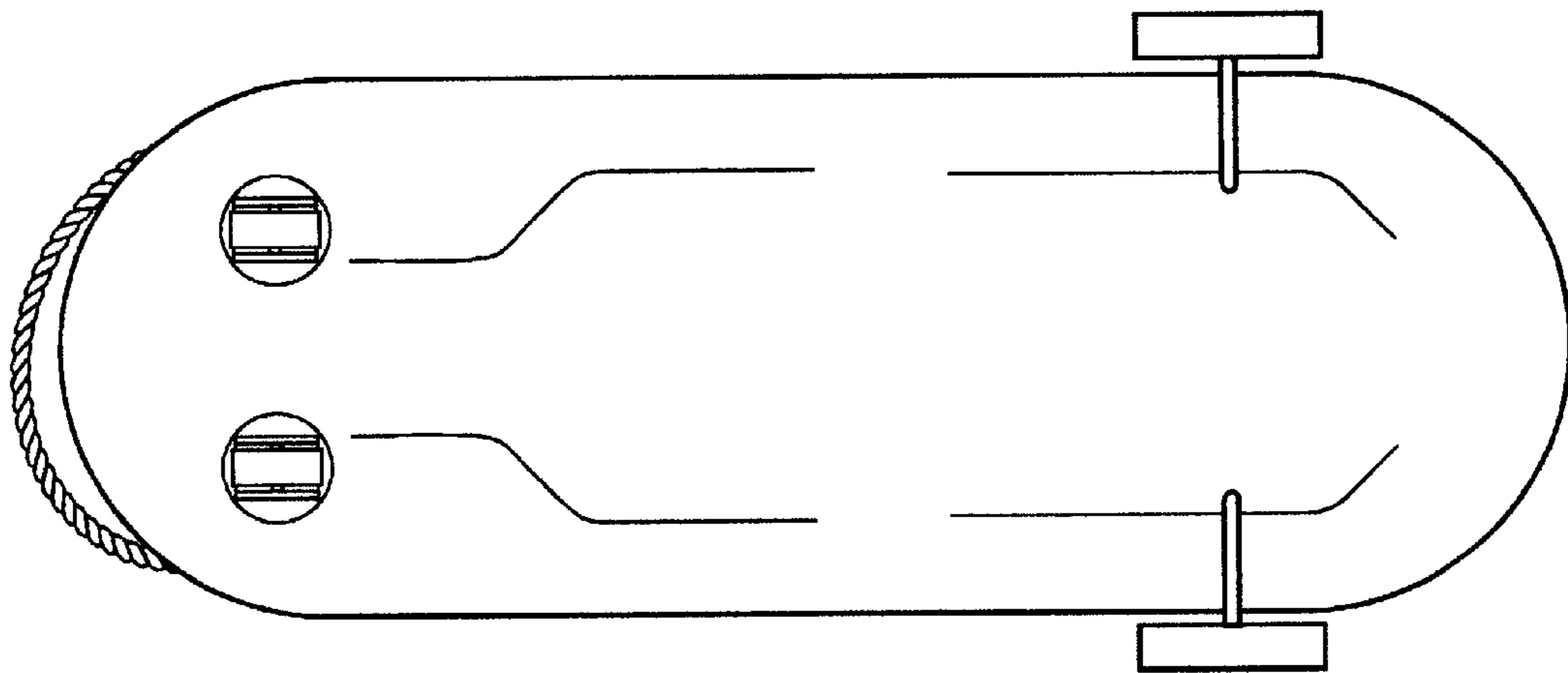


FIG. 7