



US00D452413B1

(12) **United States Design Patent**  
**Rae**

(10) **Patent No.:** **US D452,413 S**

(45) **Date of Patent:** **\*\* Dec. 25, 2001**

(54) **LID HANDLE FOR AN ARTICLE OF COOKWARE**

3,024,555 \* 3/1962 Abeles ..... 16/433

\* cited by examiner

(75) Inventor: **Robert Allan Rae**, Kowloon (HK)

*Primary Examiner*—Terry A. Wallace

(73) Assignee: **Meyer Manufacturing Company Limited**, Kowloon (HK)

(74) *Attorney, Agent, or Firm*—Finnegan, Henderson, Farabow, Garrett & Dunner, L.L.P.

(\*\*) Term: **14 Years**

(57) **CLAIM**

(21) Appl. No.: **29/126,231**

The ornamental design for a lid handle for an article of cookware, as shown and described.

(22) Filed: **Jul. 13, 2000**

**DESCRIPTION**

(51) **LOC (7) Cl.** ..... **07-02**

(52) **U.S. Cl.** ..... **D7/393; D8/310**

(58) **Field of Search** ..... D7/323–361, 393, D7/396; D8/310; 220/753; 16/110.1, 430, 441, 414, 417

FIG. 1 is a perspective view of a lid for article of cookware showing my new design;

FIG. 2 is a top plan view thereof;

FIG. 3 is a front side elevational view thereof;

FIG. 4 is a left side elevational view thereof;

FIG. 5 is a rear elevational view thereof;

FIG. 6 is a right side elevational view thereof; and,

FIG. 7 is a bottom plan view thereof.

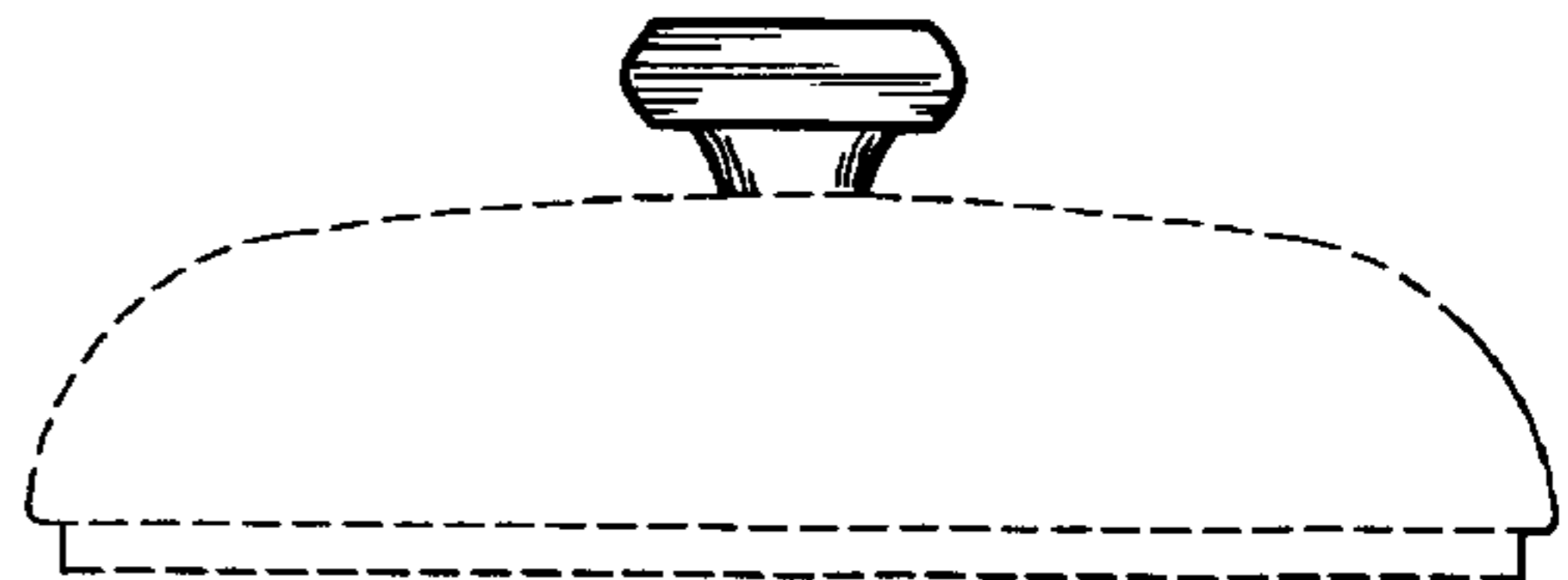
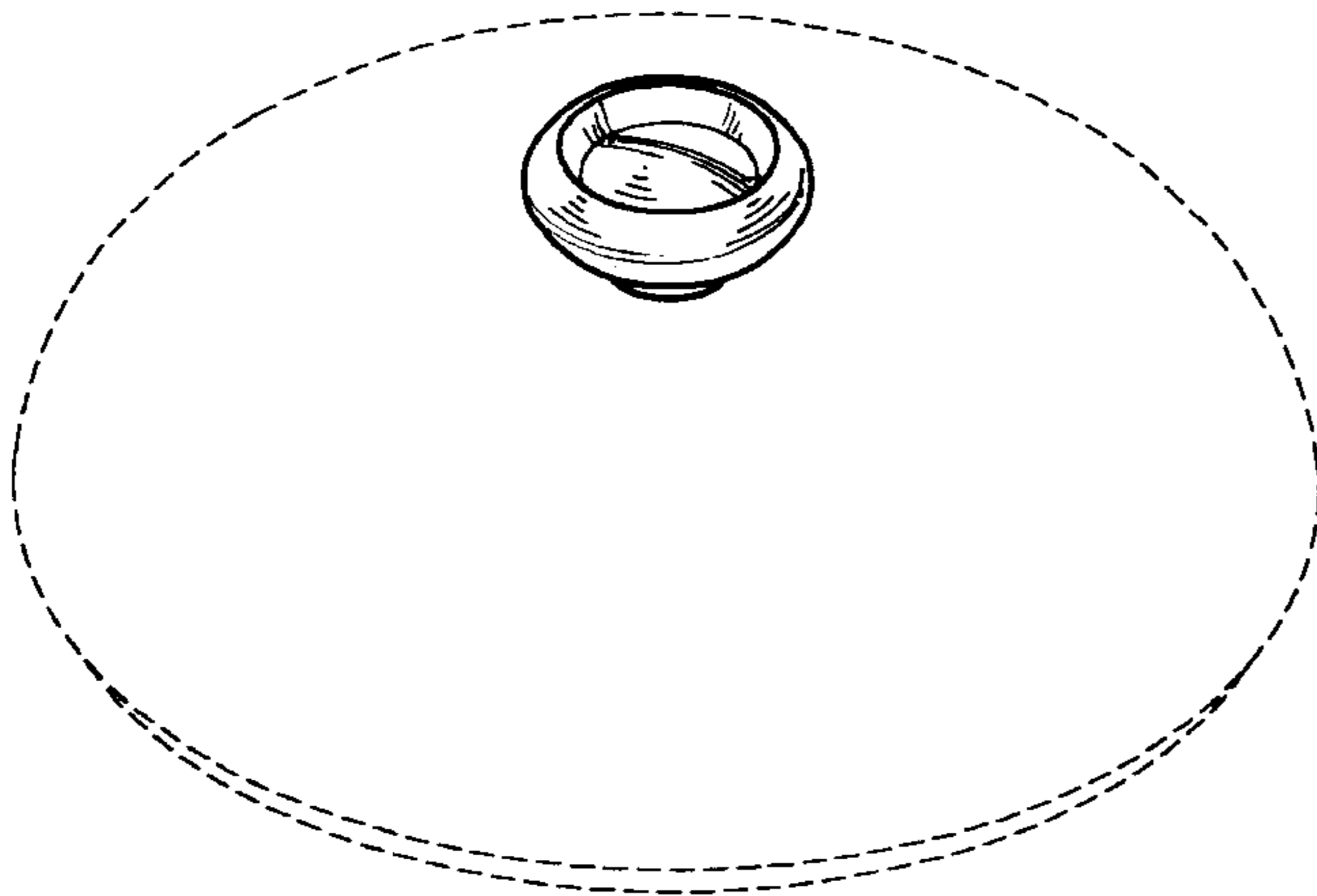
(56) **References Cited**

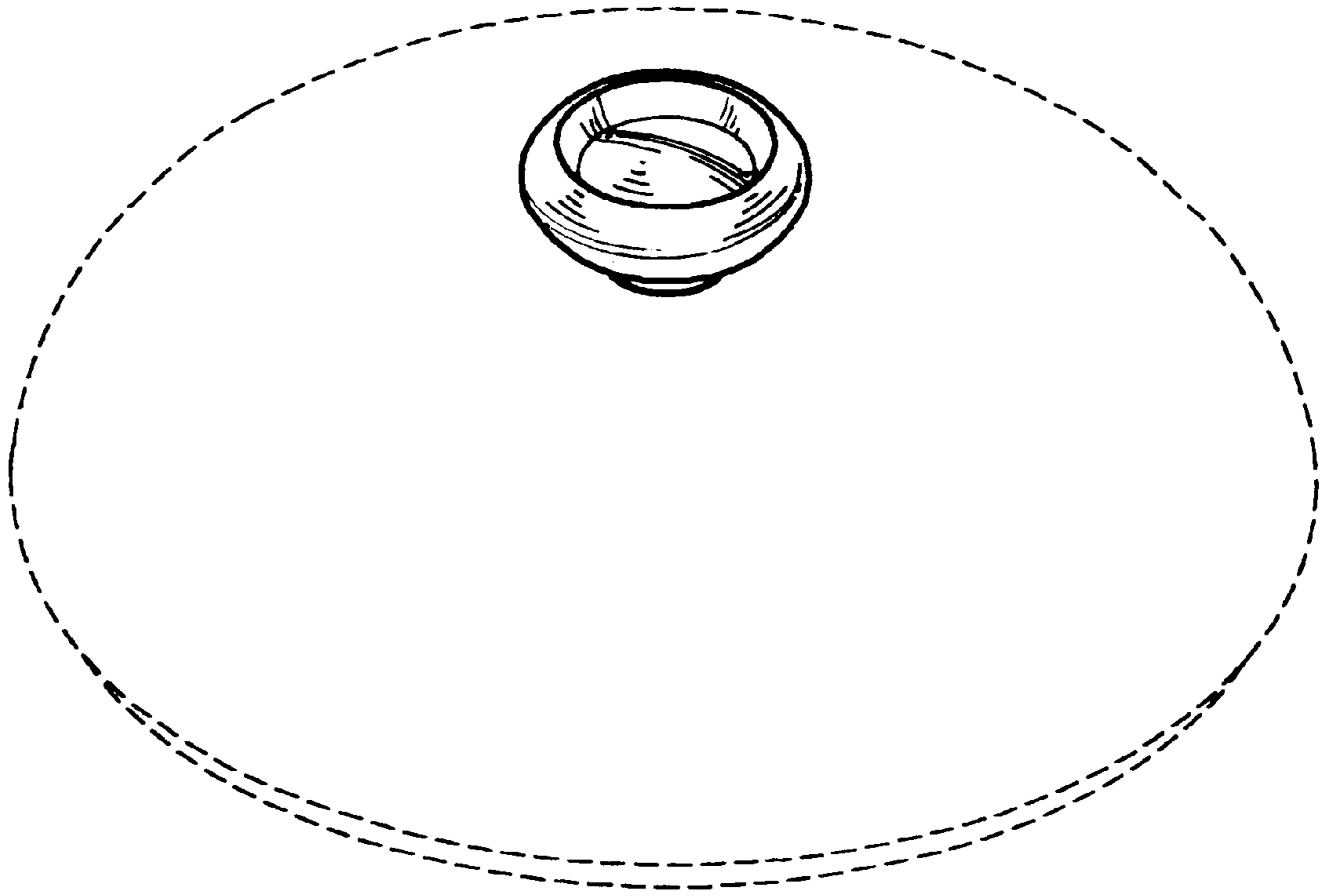
**U.S. PATENT DOCUMENTS**

- D. 238,241 \* 12/1975 Ziskin et al. .... D7/393
- D. 274,690 \* 7/1984 Cesaroni ..... D8/310
- D. 376,726 \* 12/1996 Rohrer ..... D7/393
- D. 401,834 \* 12/1998 Burns et al. .... D8/310
- 1,733,755 \* 10/1929 Refogle ..... 16/441

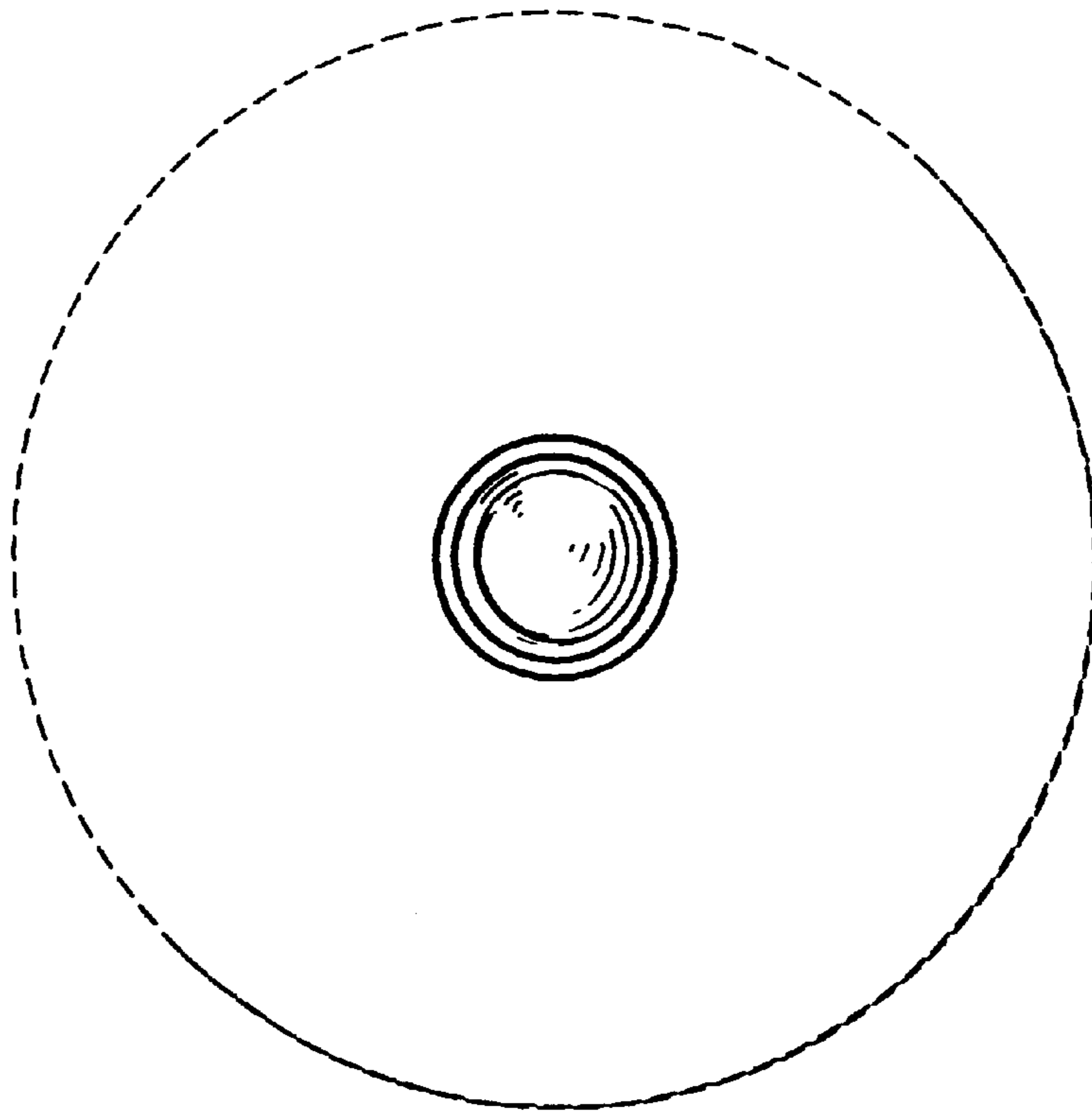
The lid for article of cookware shown in phantom lines depicts the environment of my new design and forms no part of the design of my invention.

**1 Claim, 4 Drawing Sheets**

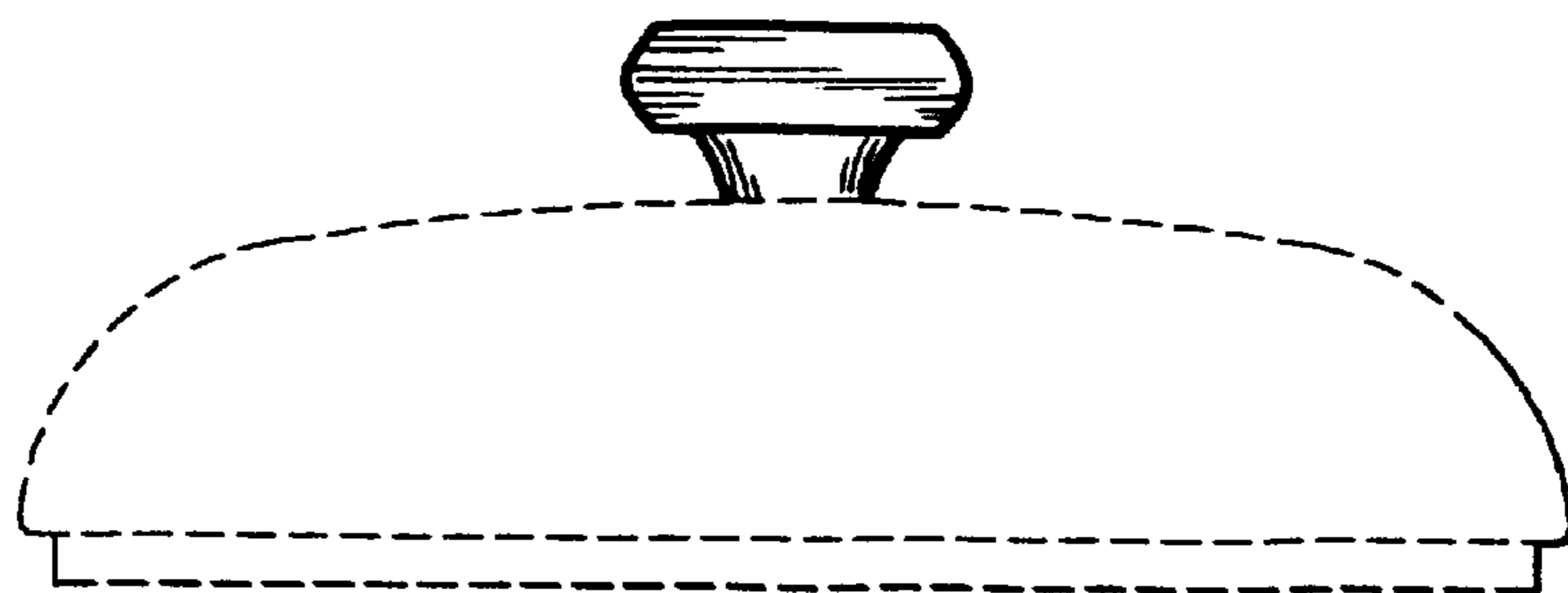




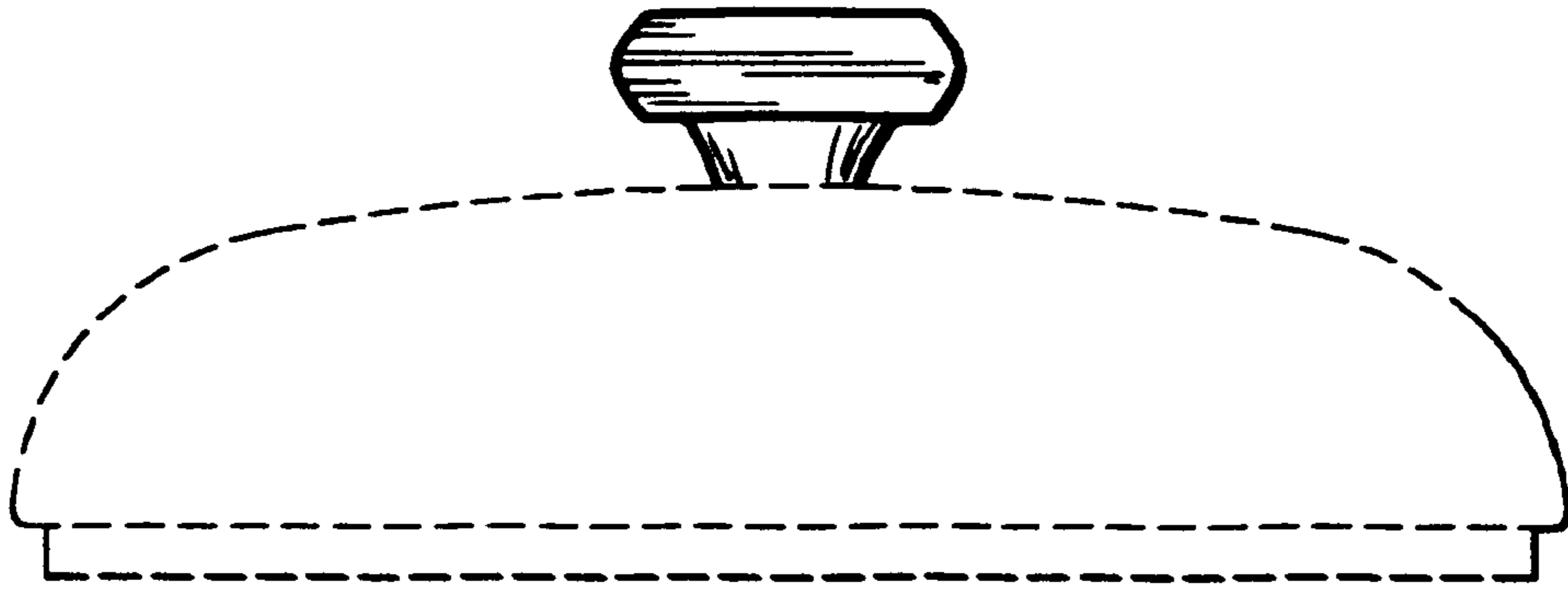
**FIG. 1**



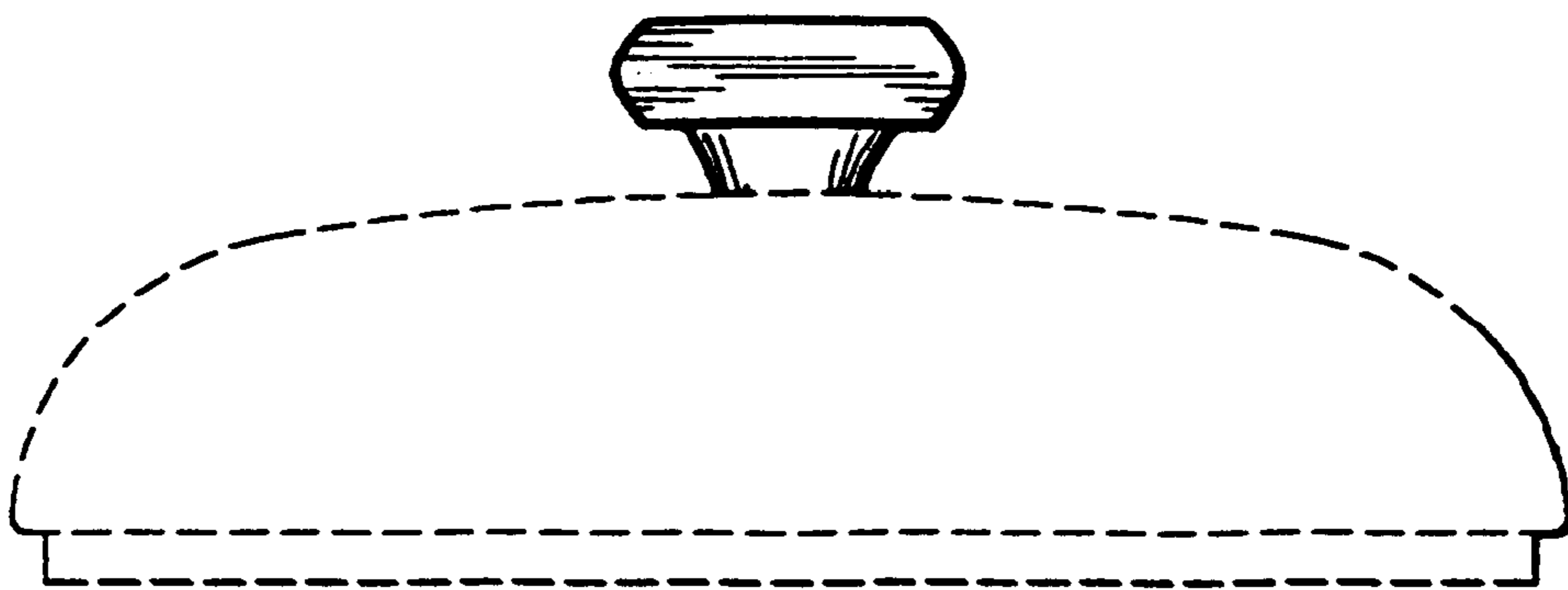
**FIG. 2**



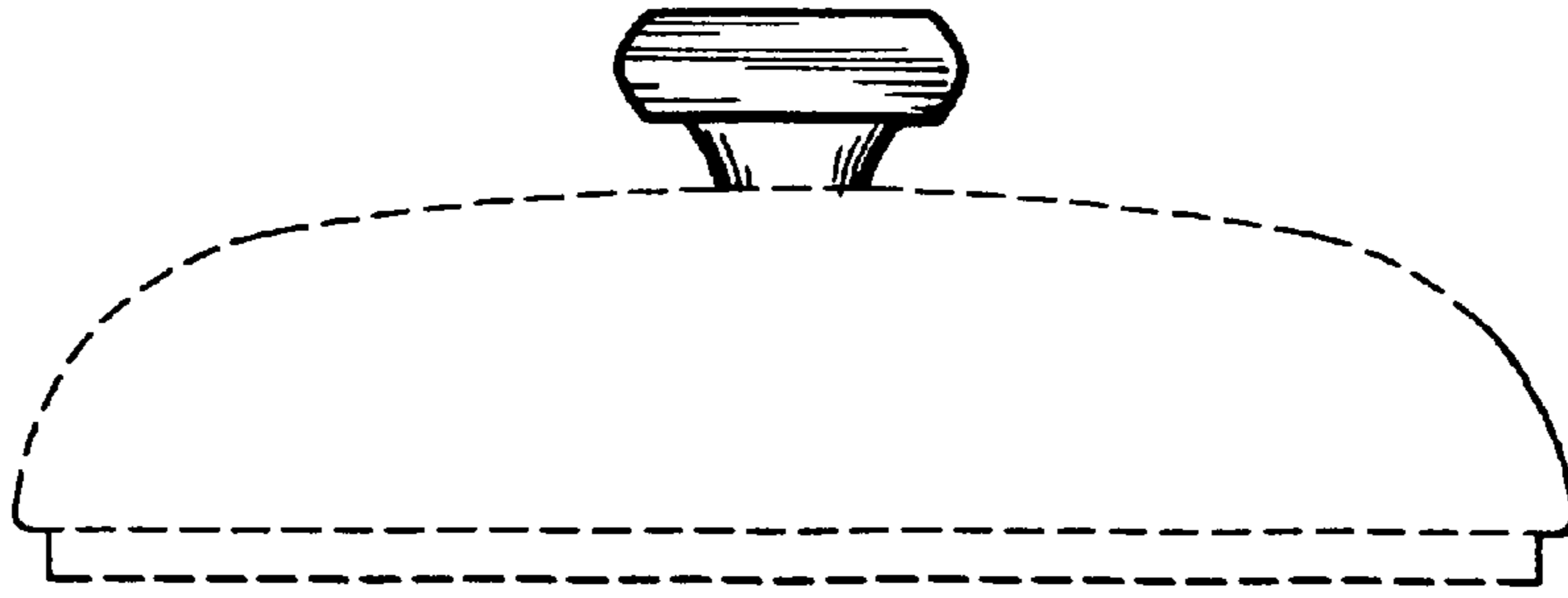
**FIG. 3**



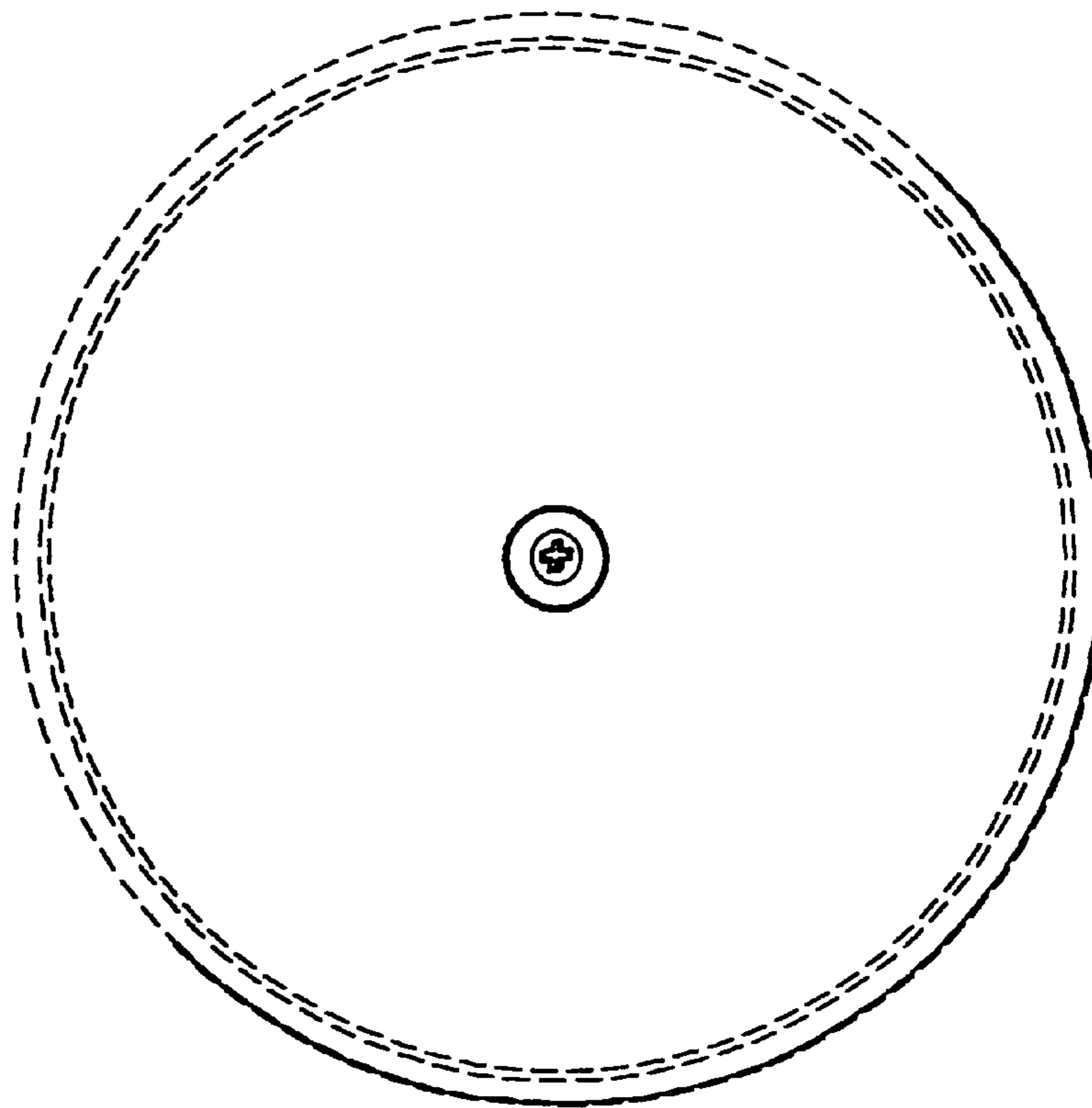
**FIG. 4**



**FIG. 5**



**FIG. 6**



**FIG. 7**