



US00D452412B1

(12) **United States Design Patent**
Jeong

(10) **Patent No.:** **US D452,412 S**

(45) **Date of Patent:** **** Dec. 25, 2001**

(54) **ELECTRICAL POWER COOKER**

(75) Inventor: **Sang Moon Jeong**, Seoul (KR)

(73) Assignee: **LG Electronics Inc.**, Seoul (KR)

(**) Term: **14 Years**

(21) Appl. No.: **29/136,004**

(22) Filed: **Jan. 24, 2001**

(30) **Foreign Application Priority Data**

Jul. 24, 2000 (KR) 00-19305

(51) **LOC (7) Cl.** **07-02**

(52) **U.S. Cl.** **D7/354**

(58) **Field of Search** D7/323, 354-361;
99/331, 336, 403, 410, 411, 413; 219/429-432,
438, 440

(56) **References Cited**

U.S. PATENT DOCUMENTS

- D. 347,353 * 5/1994 Piret et al. D7/354
- D. 387,243 * 12/1997 Bumoux D7/354
- D. 414,072 * 9/1999 Powell D7/354

- D. 418,361 * 1/2000 Utsugi D7/354
- D. 422,447 * 4/2000 Josancy D7/354
- D. 423,277 * 4/2000 Josancy D7/354
- D. 427,841 * 7/2000 De'Longhi D7/354
- D. 432,348 * 10/2000 Shaw D7/354
- D. 436,795 * 1/2001 Martres et al. D7/354

* cited by examiner

Primary Examiner—Caron D. Veynar

(57) **CLAIM**

The ornamental design for an electrical power cooker, substantially as shown and described.

DESCRIPTION

FIG. 1 is a perspective view of the electrical power cooker of the present invention in an operative status;
 FIG. 2 is a front elevational view thereof;
 FIG. 3 is a rear elevational view thereof;
 FIG. 4 is a left side elevational view thereof, the opposite side being substantially a mirror image;
 FIG. 5 is a top plan view thereof;
 FIG. 6 is a bottom plan view thereof; and,
 FIG. 7 is a perspective view thereof I an inoperative status.

1 Claim, 4 Drawing Sheets

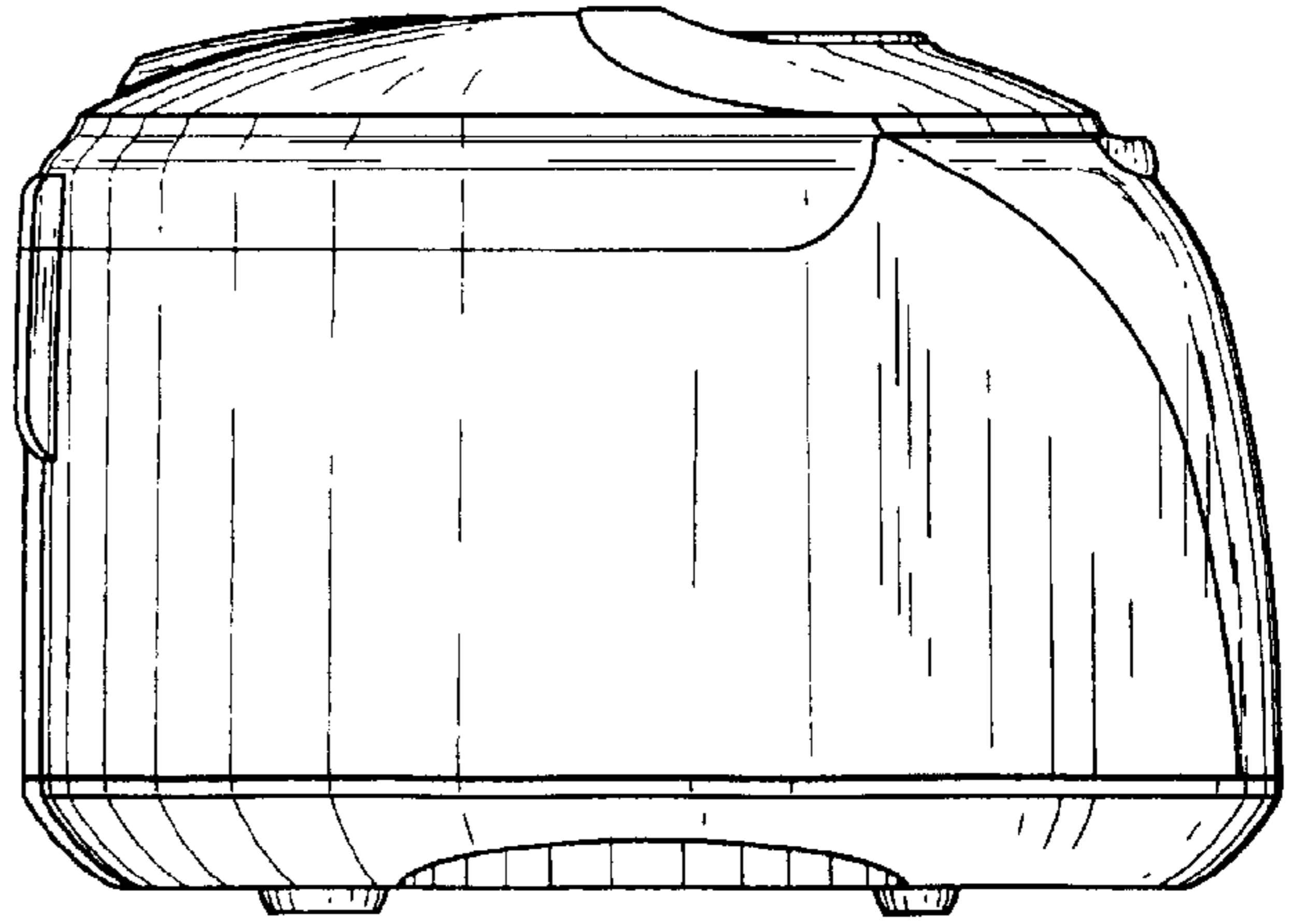
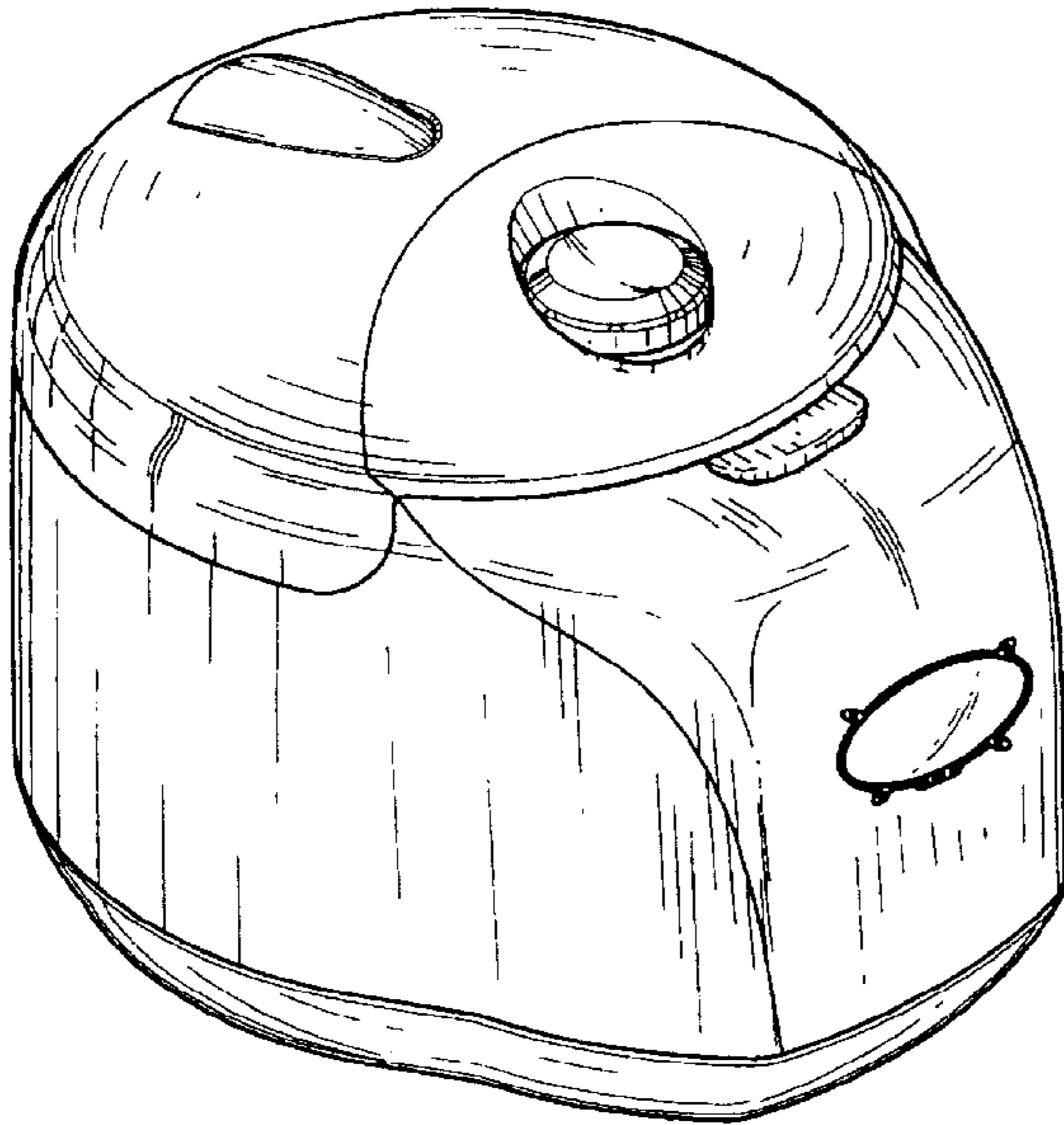


FIG. 1

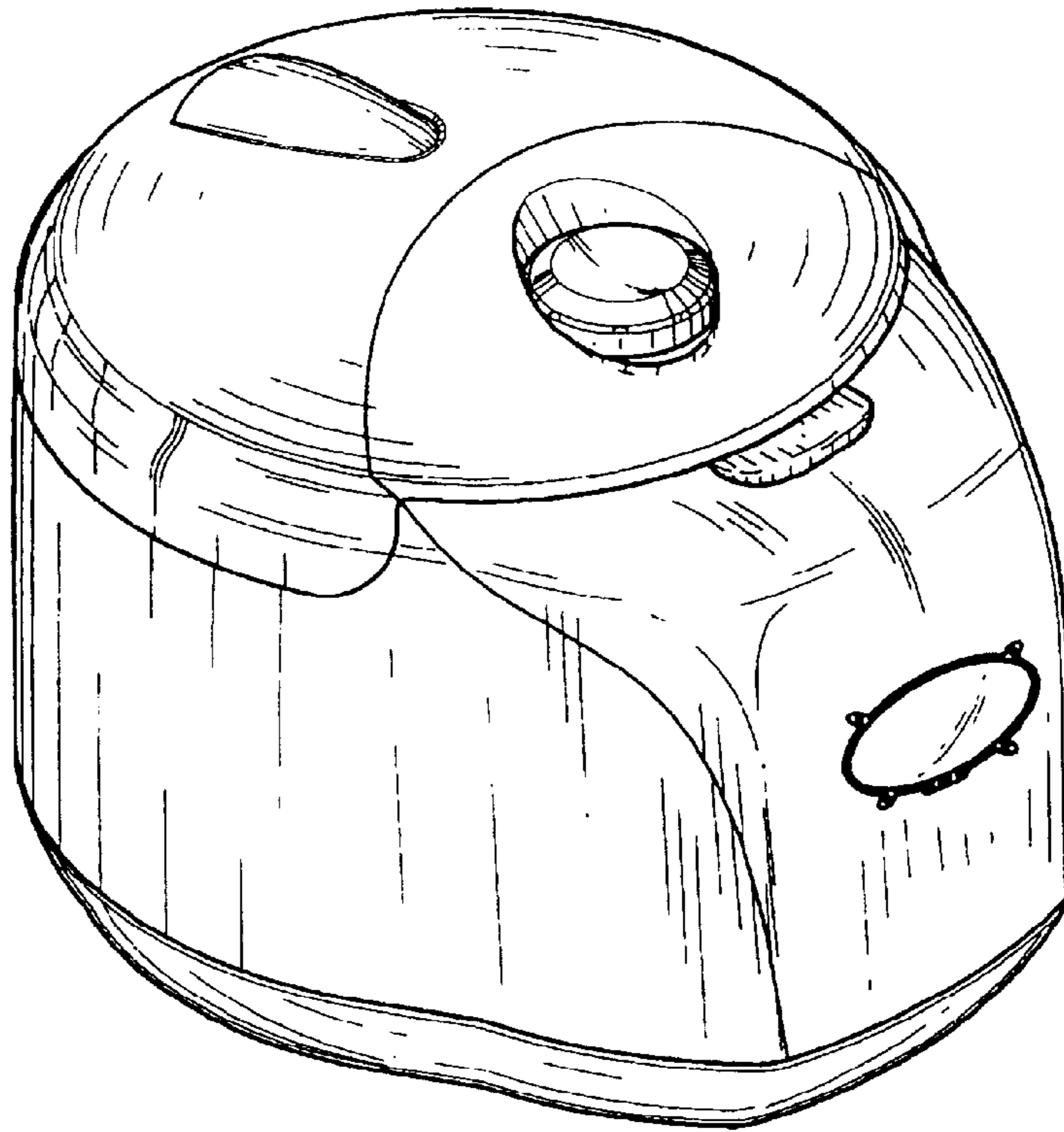


FIG. 2

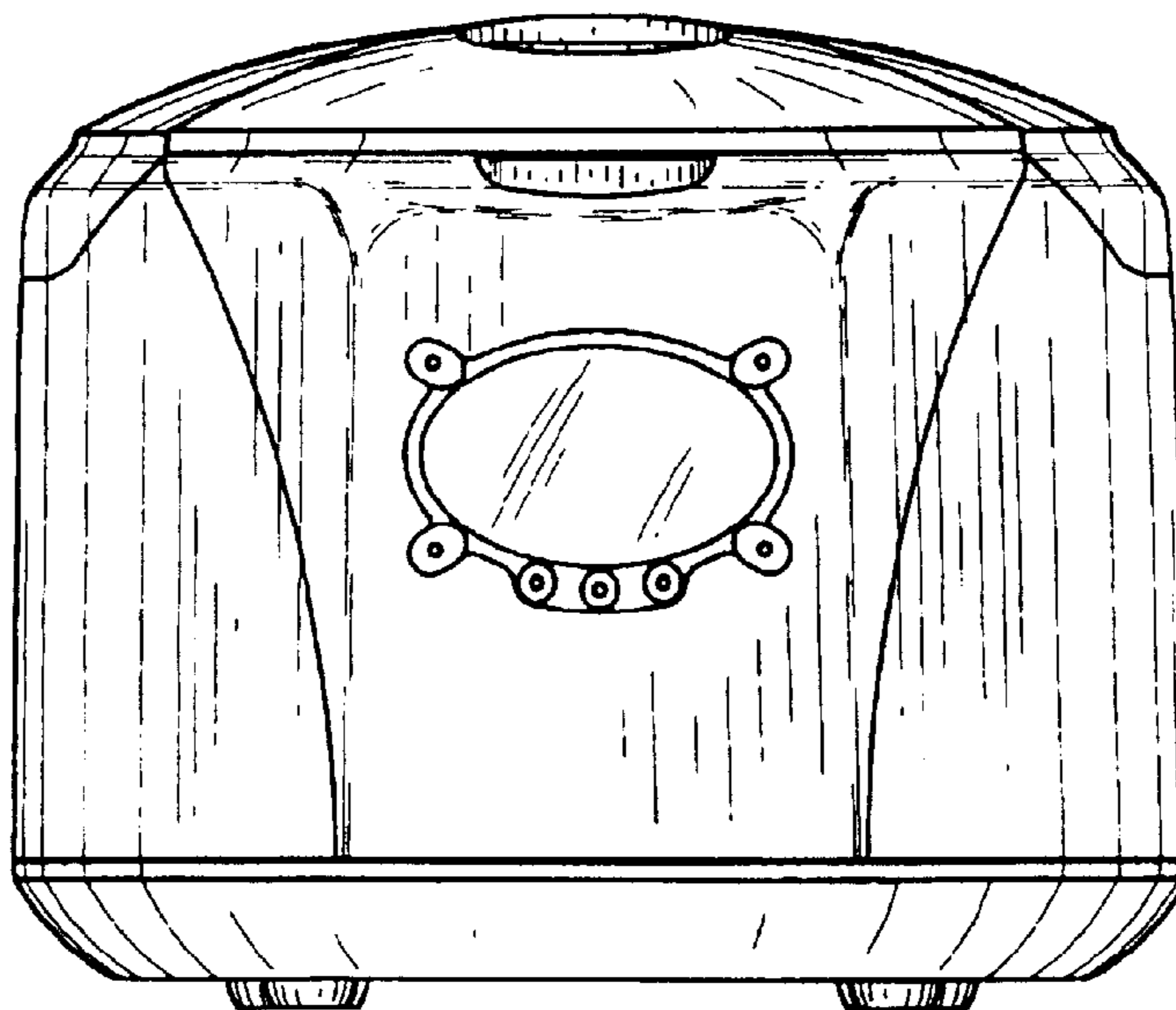


FIG. 3

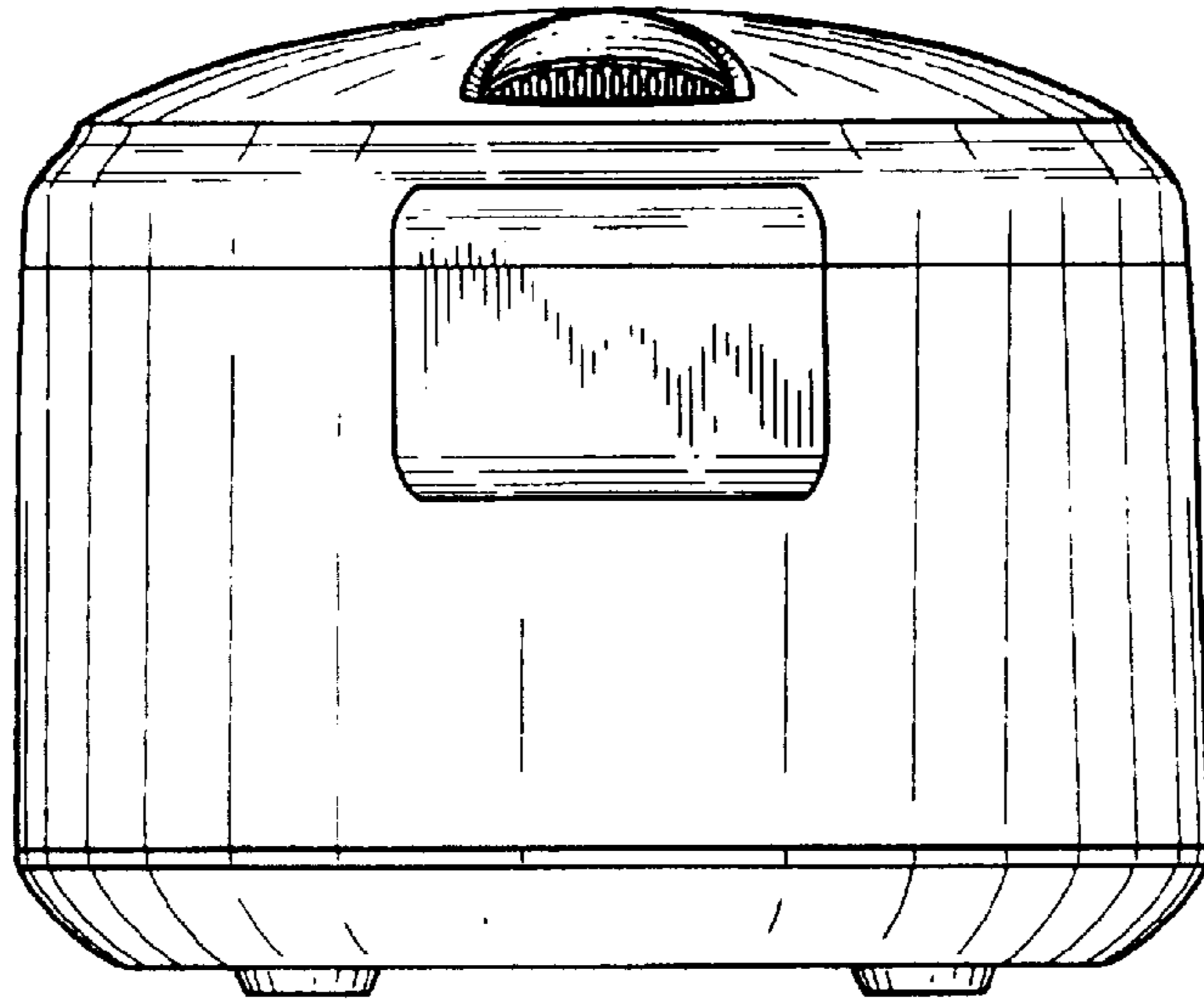


FIG. 4

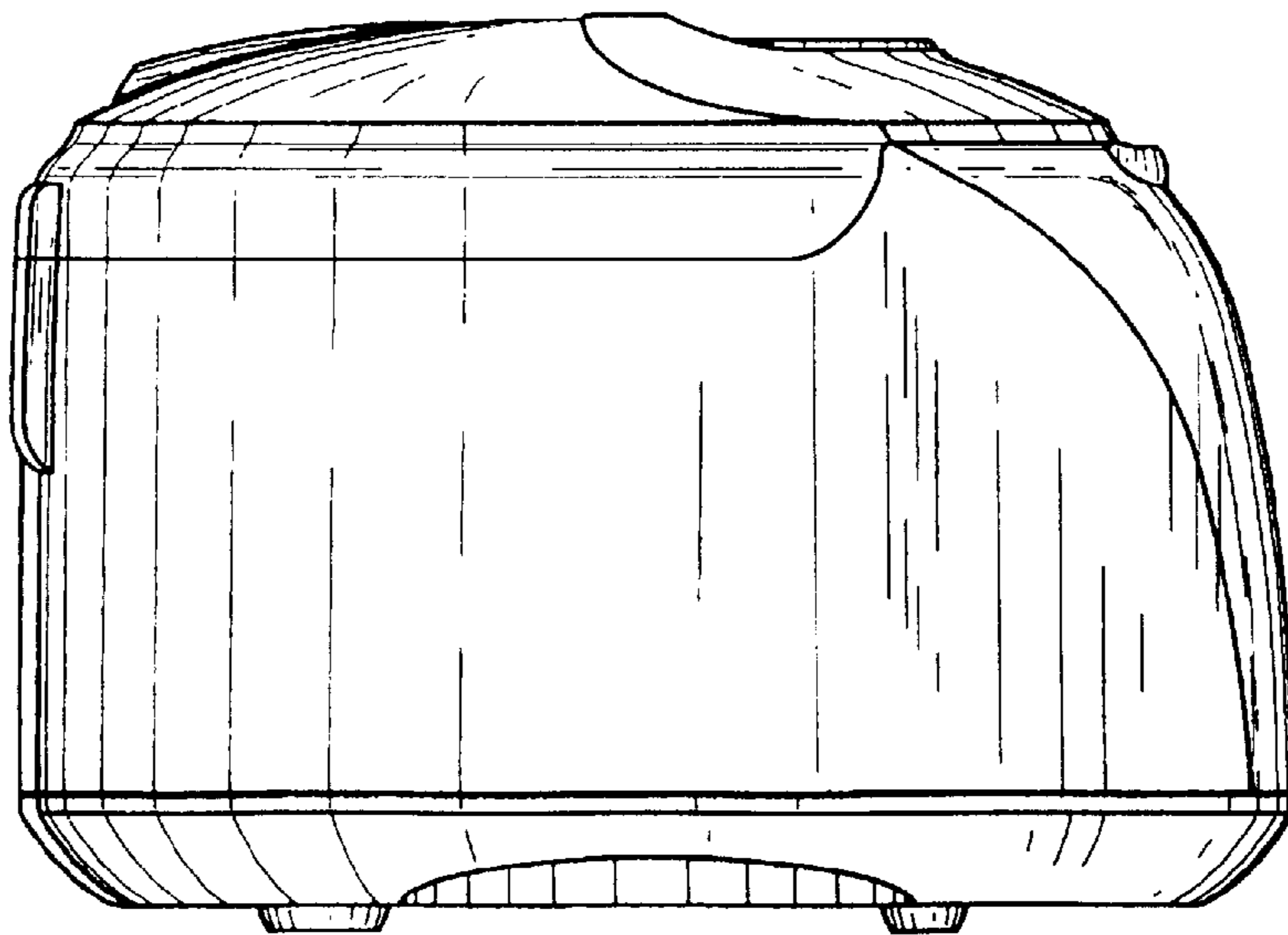


FIG. 5

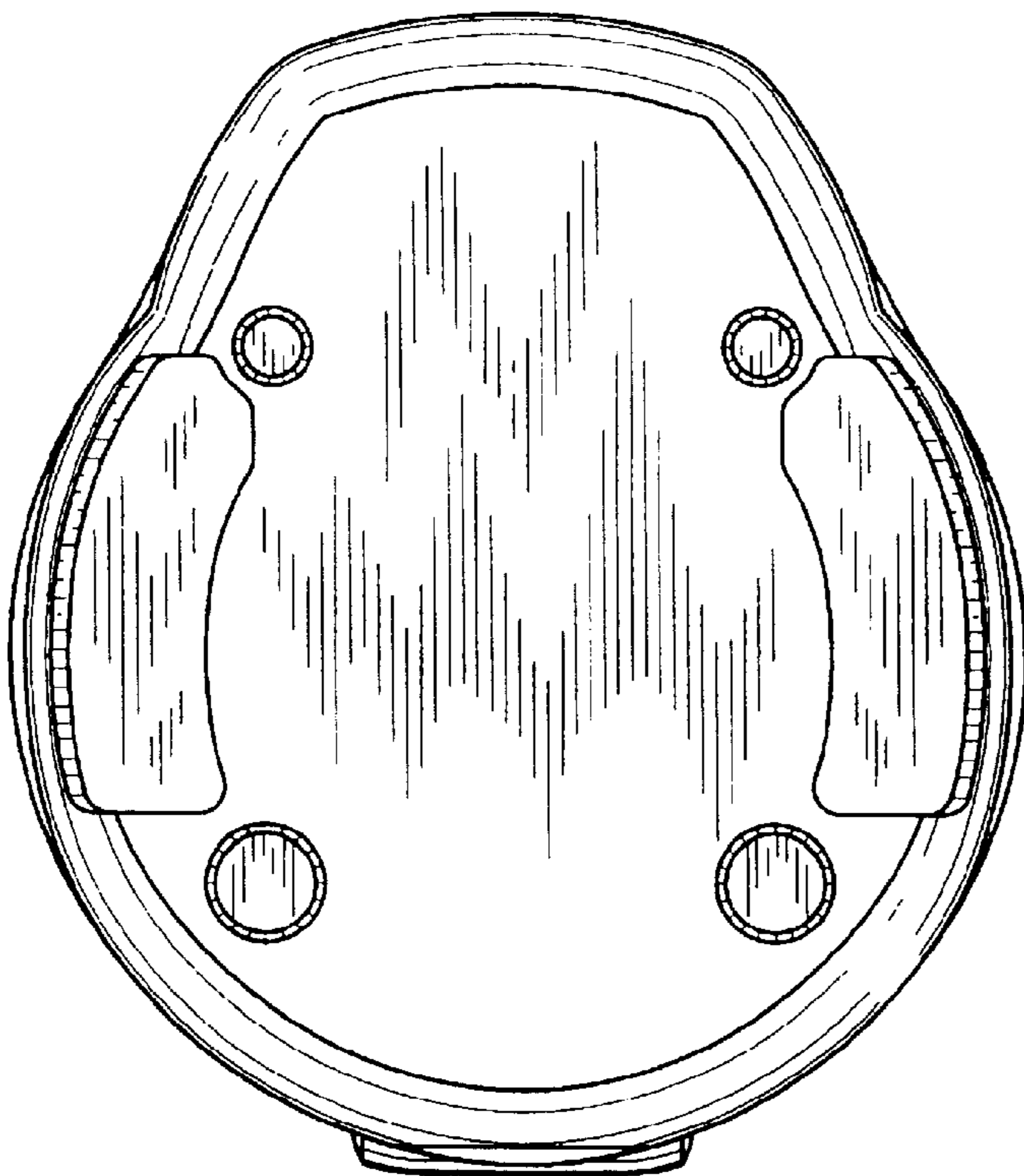
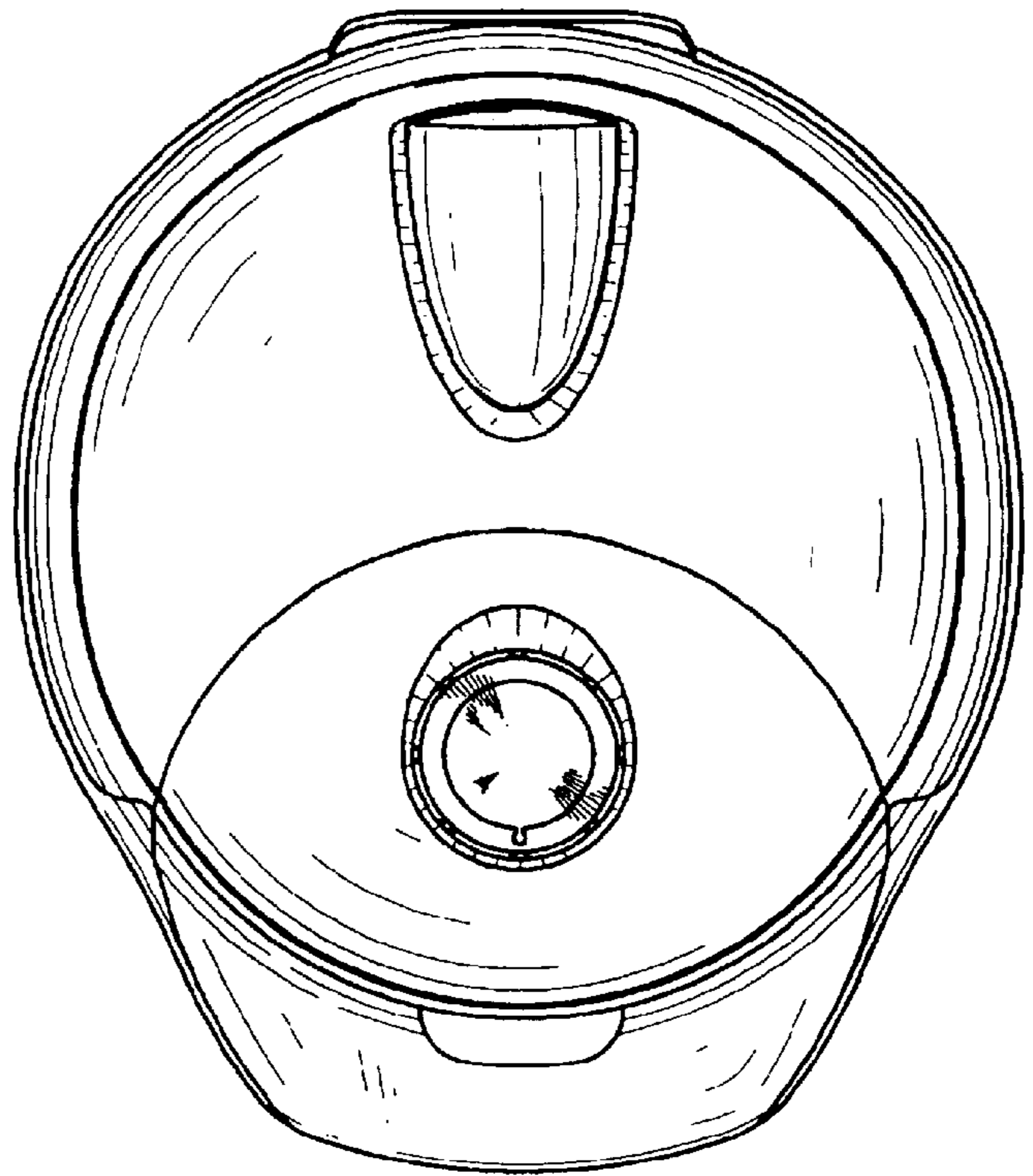


FIG. 6

FIG. 7

