



US00D452408B1

(12) **United States Design Patent**
Liu

(10) **Patent No.:** **US D452,408 S**

(45) **Date of Patent:** **** Dec. 25, 2001**

(54) **COOLING CONTAINER**

(76) Inventor: **Wen-Yuan Liu**, P.O. Box 90, Tainan City (TW)

(**) Term: **14 Years**

(21) Appl. No.: **29/128,868**

(22) Filed: **Sep. 5, 2000**

(51) **LOC (7) Cl.** **07-01**

(52) **U.S. Cl.** **D7/319; D7/317; D7/316**

(58) **Field of Search** **D7/312, 300, 316, D7/317, 318, 319; 210/282, 470; 222/144.5, 566, 465.1; 99/295**

(56) **References Cited**

U.S. PATENT DOCUMENTS

D. 48,807	*	4/1916	Altenberg	D7/317
D. 52,002	*	5/1918	Altenberg	D7/317
D. 224,034	*	6/1972	Douglas	D7/318
D. 297,900	*	10/1988	Huang	D7/317
D. 302,925	*	8/1989	Zimmermann	D7/317

D. 322,005	*	12/1991	Cliff	D7/317
D. 421,361	*	3/2000	Coulson et al.	D7/319
D. 444,339	*	7/2001	Huang	D7/319
D. 444,343	*	7/2001	Chang	D7/377
4,651,900	*	3/1987	Horvath et al.	222/144.5

* cited by examiner

Primary Examiner—M. N. Pandozzi

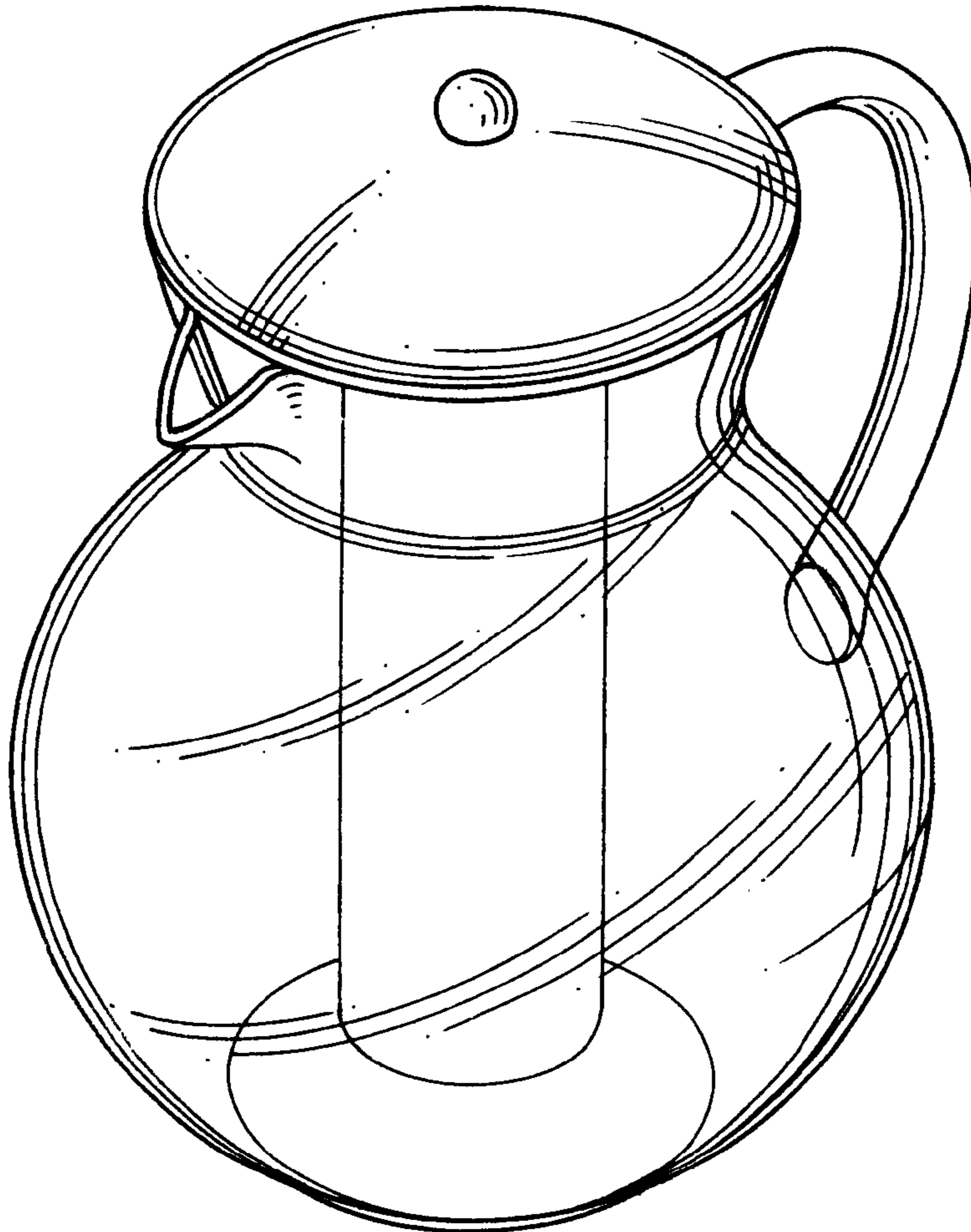
(57) **CLAIM**

The ornamental design for cooling container, as shown and described.

DESCRIPTION

FIG. 1 is a perspective view of cooling container showing my design;
FIG. 2 is a front elevational view thereof;
FIG. 3 is a rear elevational view thereof;
FIG. 4 is a left side elevational view thereof;
FIG. 5 is a right side elevational view thereof;
FIG. 6 is a top plan view thereof; and,
FIG. 7 is a bottom plan view thereof.

1 Claim, 4 Drawing Sheets



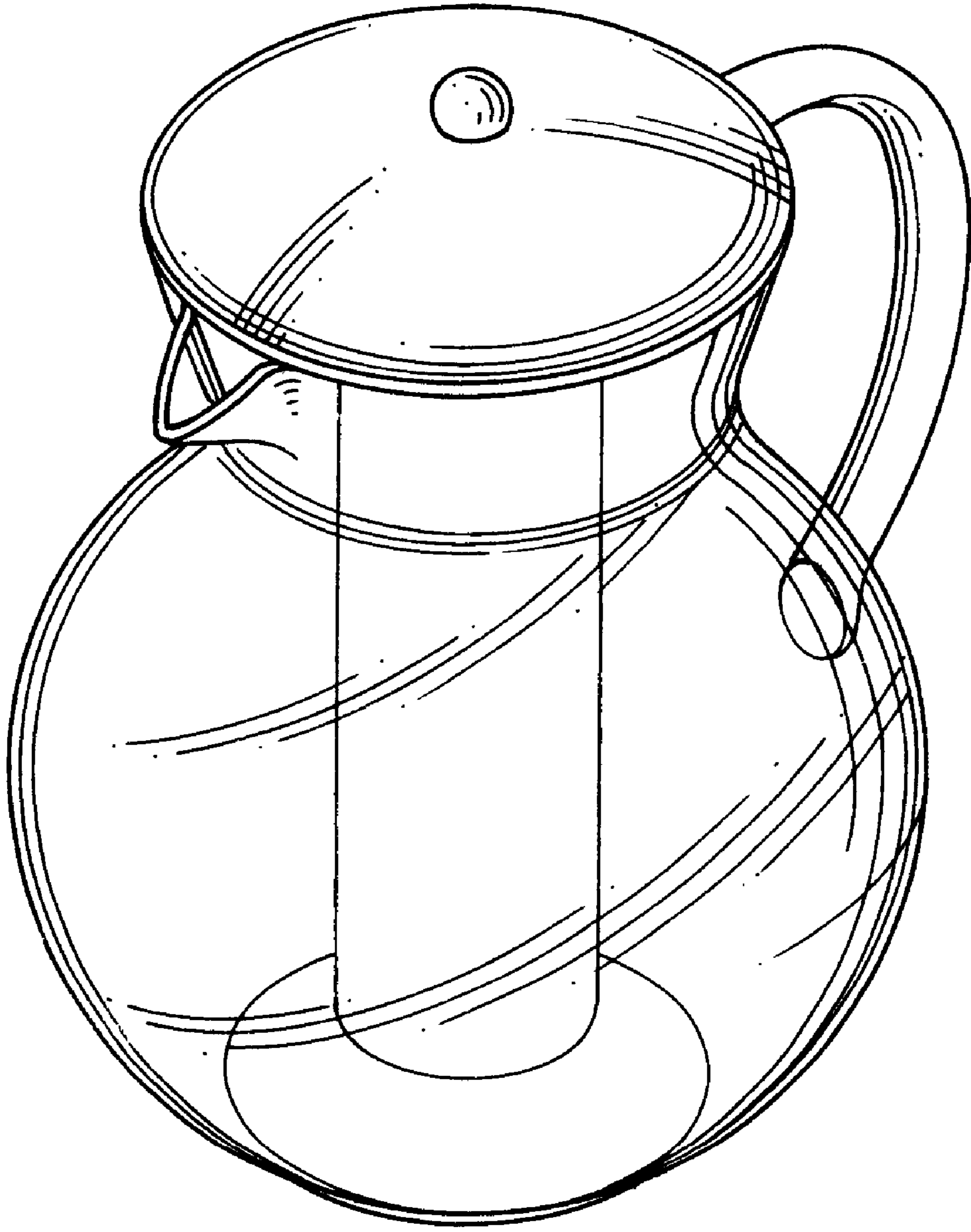


FIG. 1

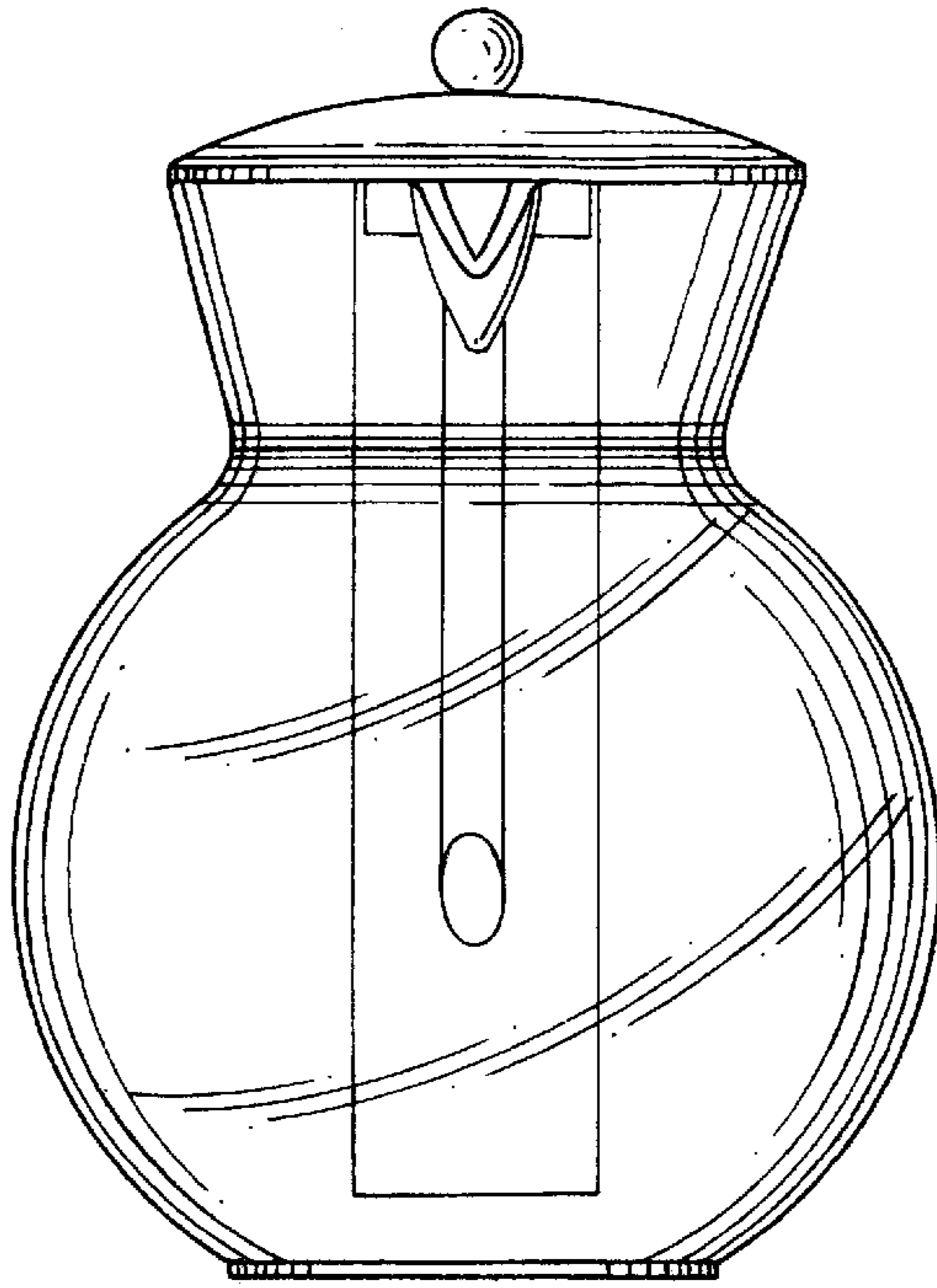


FIG. 2

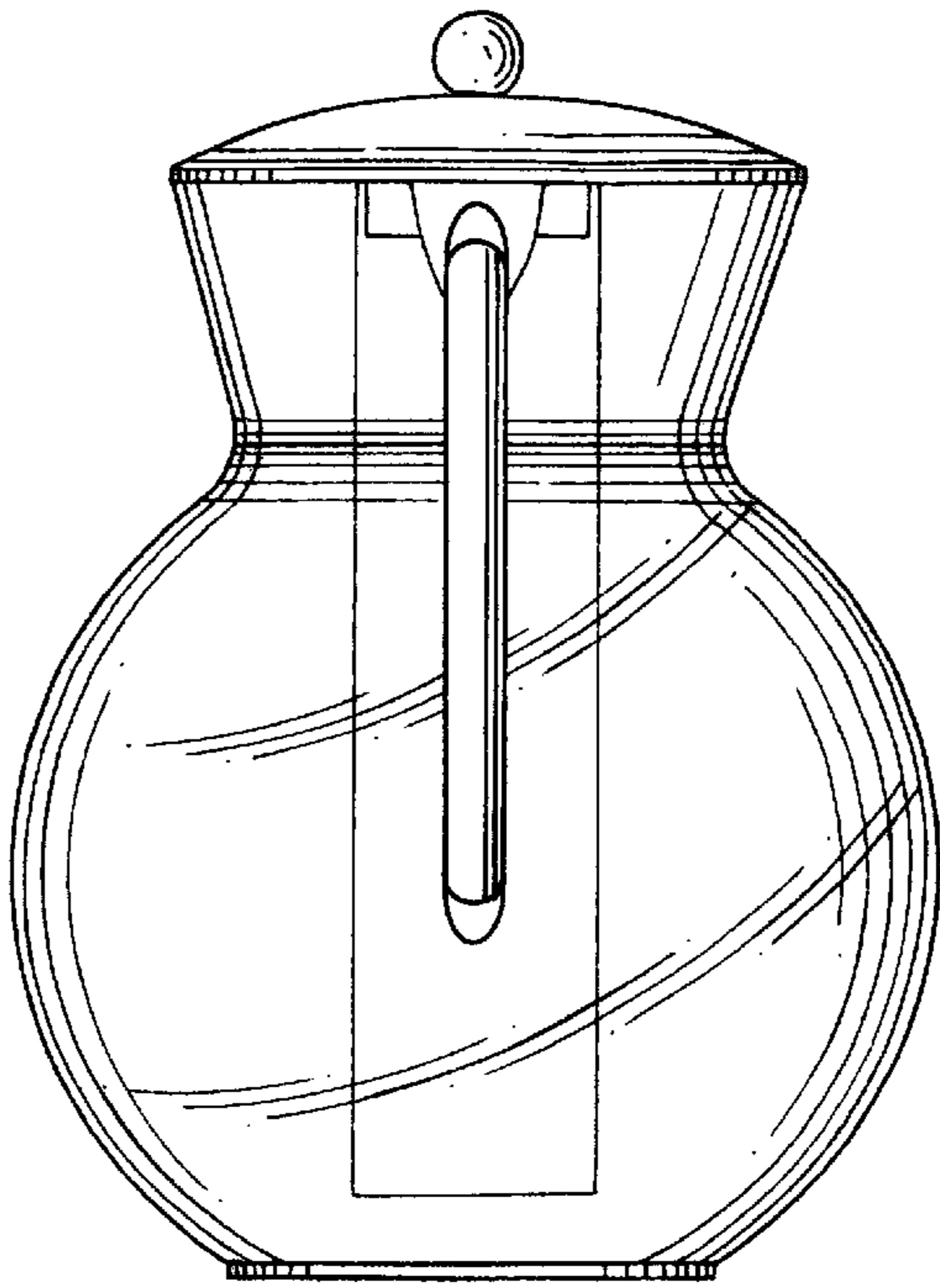


FIG. 3

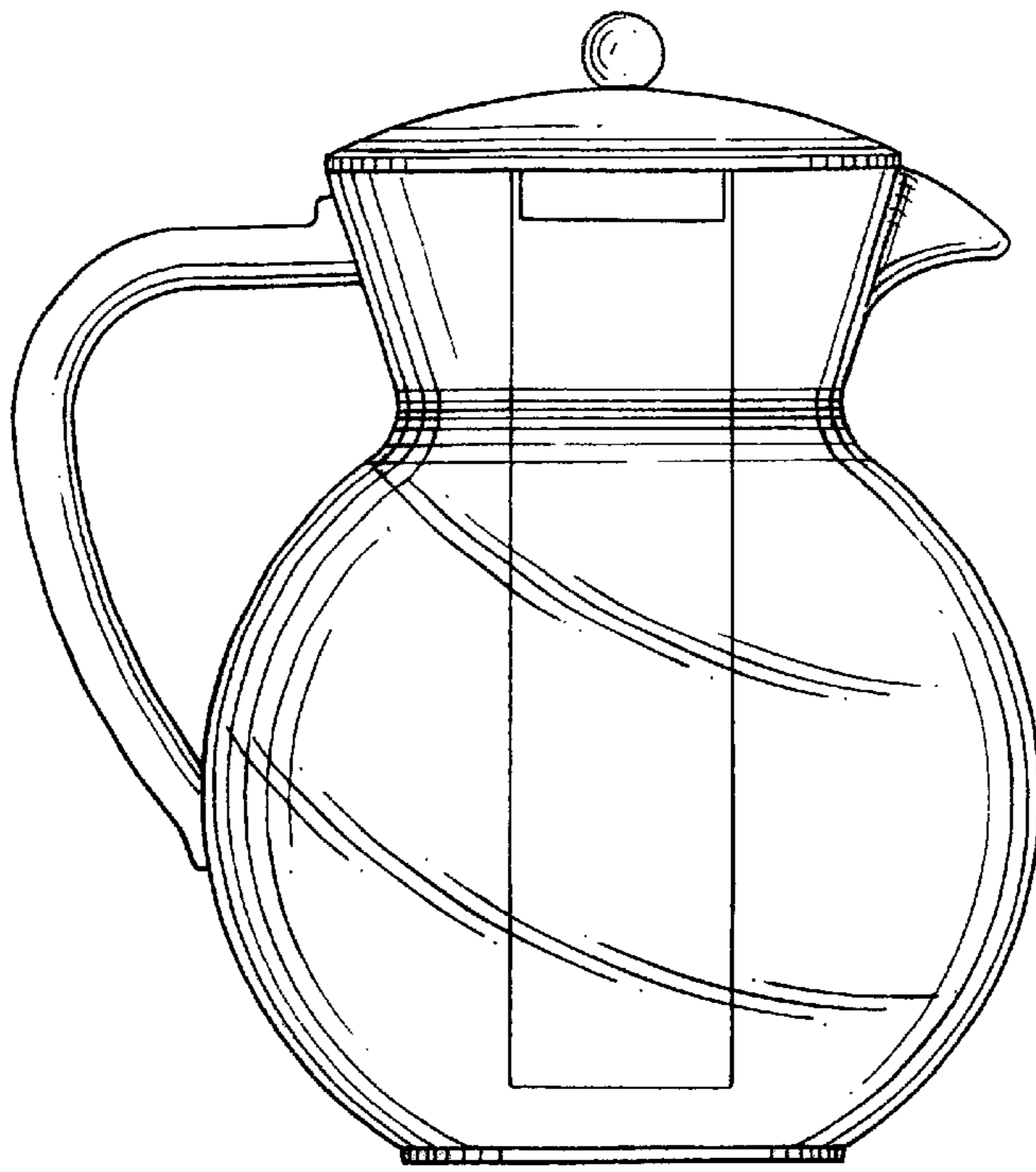


FIG. 4

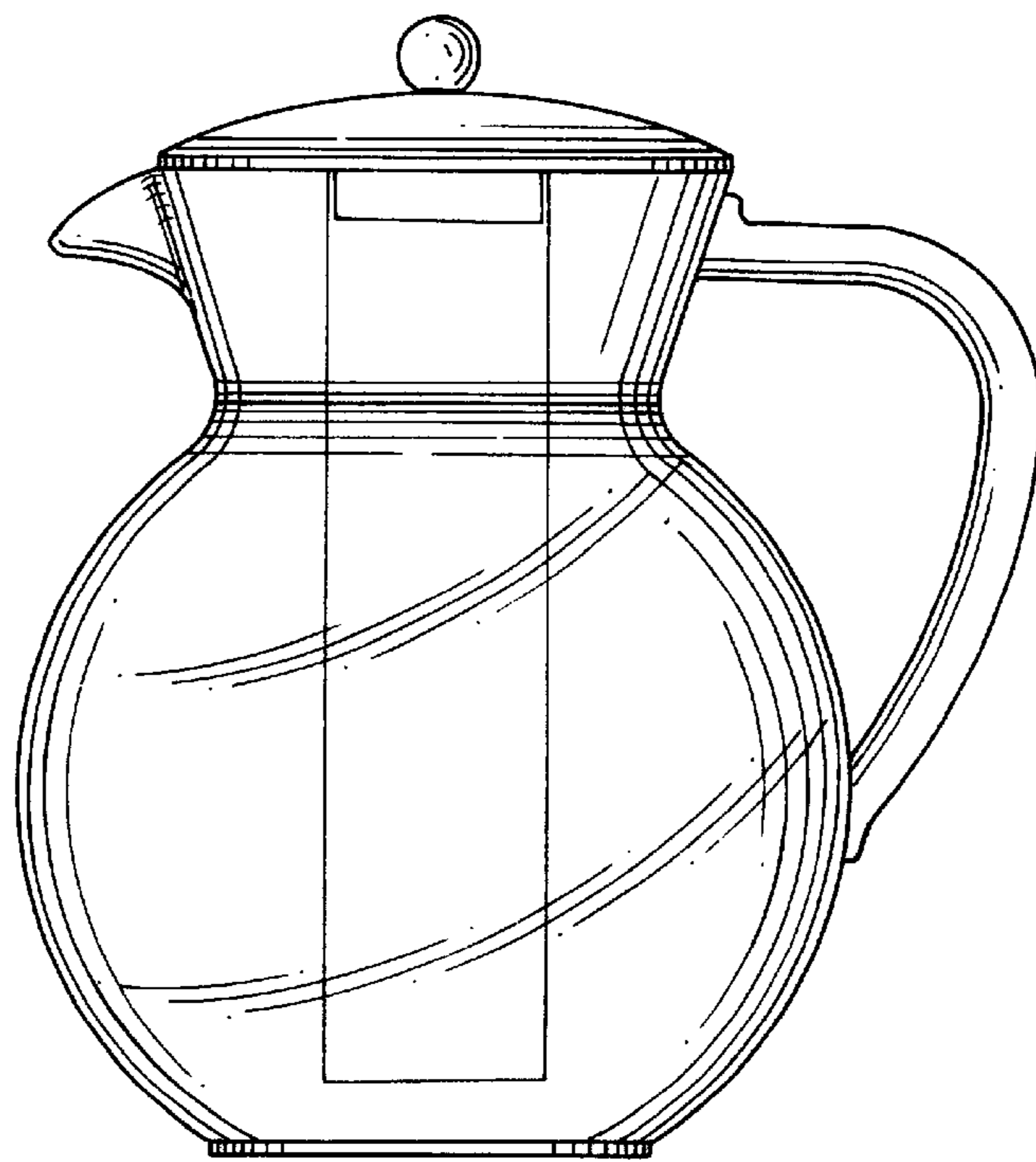


FIG. 5

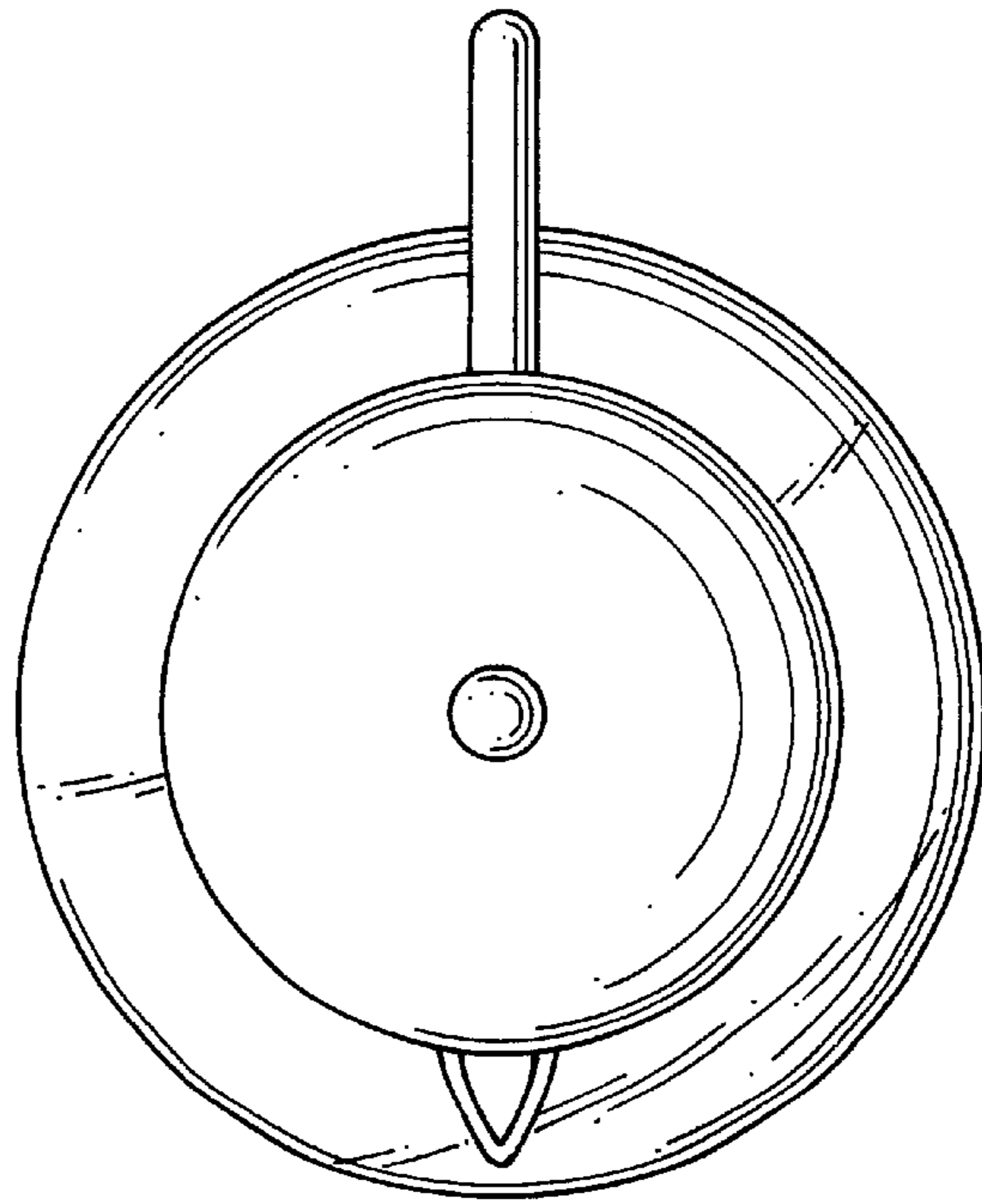


FIG. 6

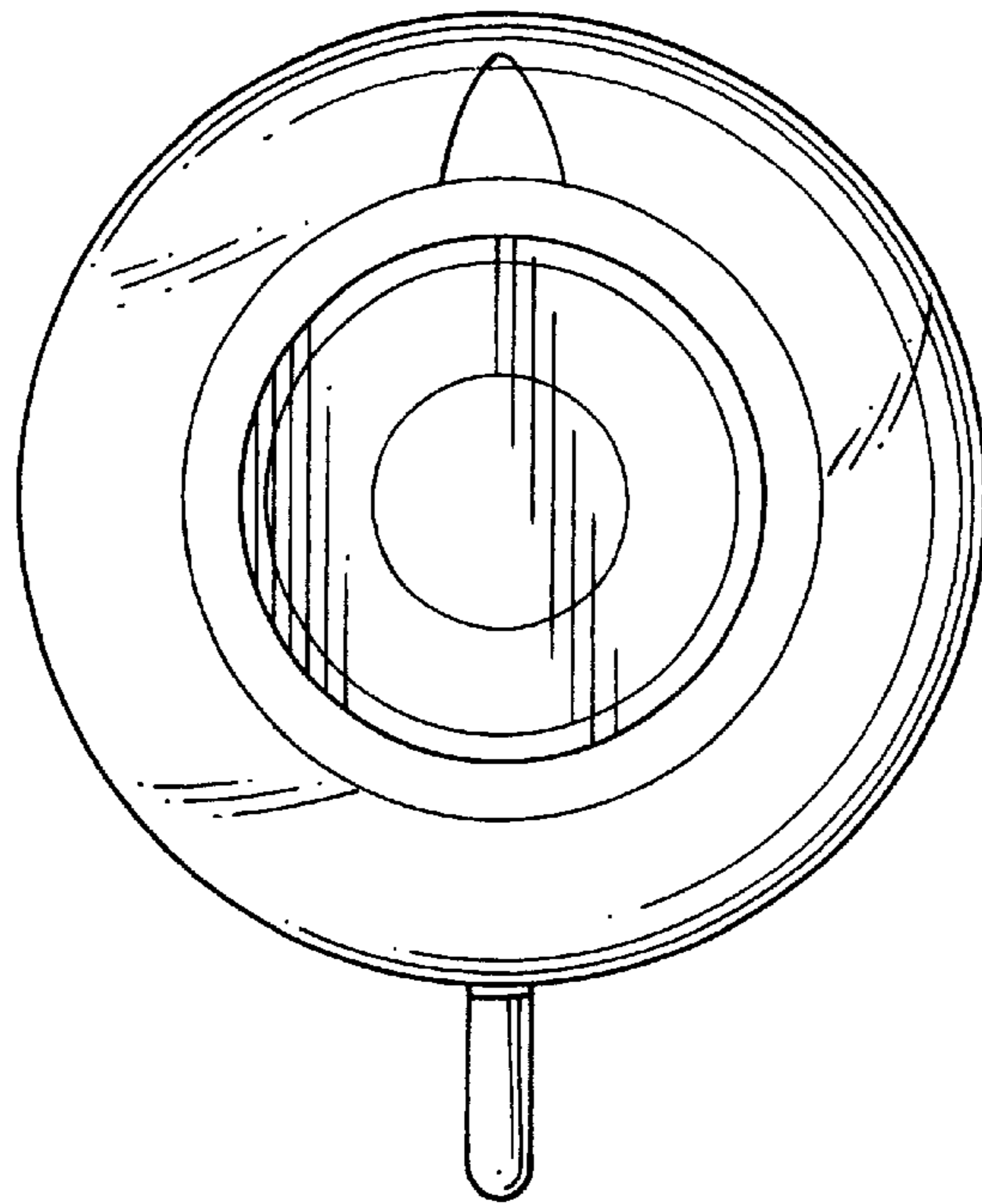


FIG. 7