



US00D452406B1

(12) **United States Design Patent**
Schroeder et al.

(10) **Patent No.:** **US D452,406 S**

(45) **Date of Patent:** **** Dec. 25, 2001**

(54) **BEVERAGE DISPENSER**

(75) Inventors: **Alfred A. Schroeder; Jeffrey A. Blansit; Harlan R. Davis**, all of San Antonio, TX (US)

(73) Assignee: **Lancer Partnership, Ltd.**, San Antonio, TX (US)

(**) Term: **14 Years**

(21) Appl. No.: **29/124,176**

(22) Filed: **Jun. 1, 2000**

(51) **LOC (7) Cl.** **07-01**

(52) **U.S. Cl.** **D7/307; D7/308**

(58) **Field of Search** D7/300, 305, 306,
D7/307, 308, 371; D34/14; 222/127.1-129.4,
183, 146.6; 99/280, 279, 283; D15/82,
80

(56) **References Cited**

U.S. PATENT DOCUMENTS

- D. 117,907 * 12/1939 Martin D7/307
- D. 218,069 * 7/1970 Cornelius D7/307

- D. 240,279 * 6/1976 Boldt D7/307
- D. 250,536 * 12/1978 Bourke D7/308
- D. 261,269 * 10/1981 Cornett D7/307
- D. 261,390 * 10/1981 Harvill D7/307
- D. 264,214 * 5/1982 Bowen et al. D7/307
- D. 276,814 * 12/1984 Koeneman et al. D15/80

* cited by examiner

Primary Examiner—M. N. Pandozzi

(74) *Attorney, Agent, or Firm*—Christopher L. Makay

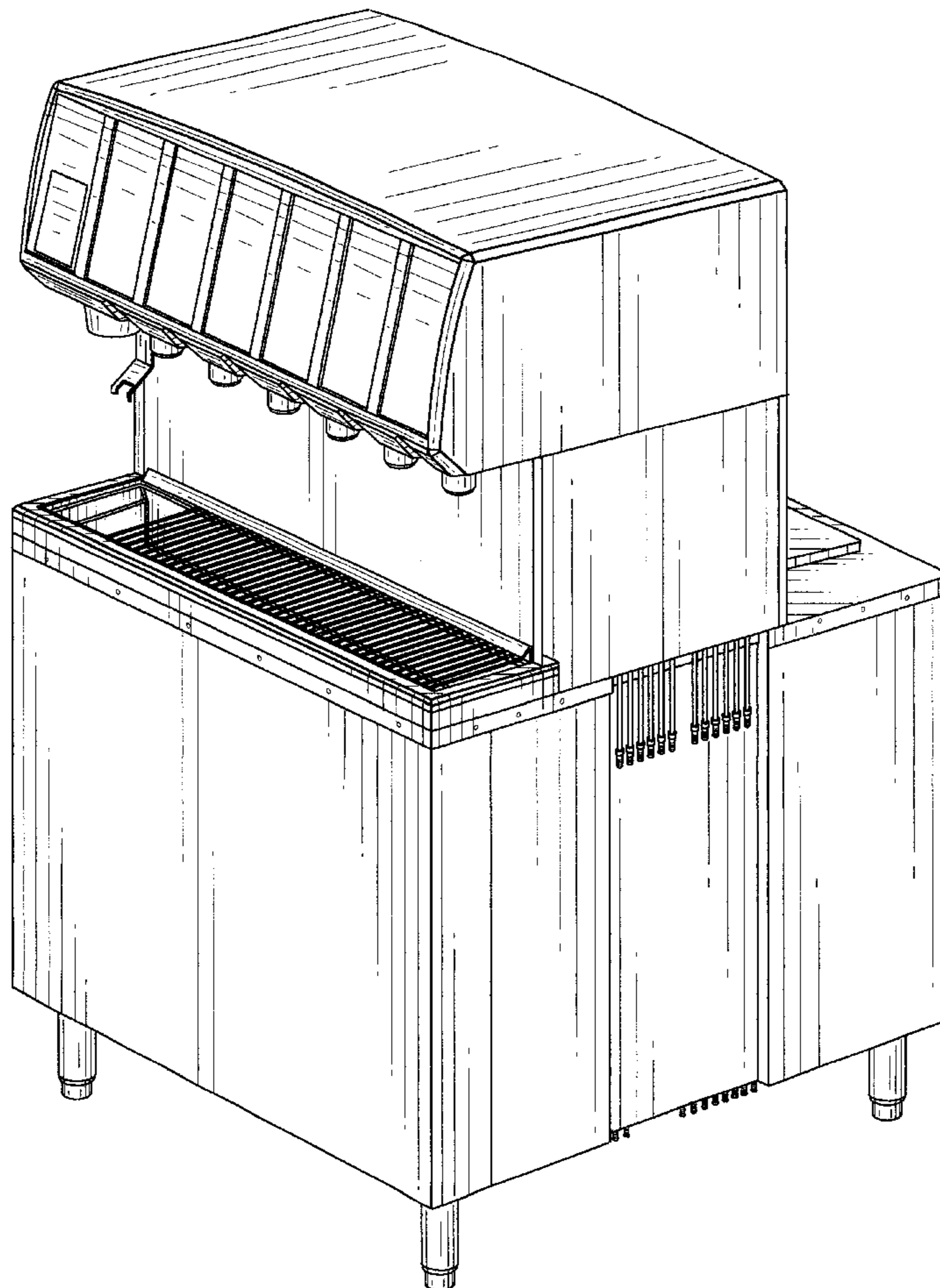
(57) **CLAIM**

The ornamental design for a beverage dispenser, as shown and described.

DESCRIPTION

FIG. 1 is a front perspective view of the beverage dispenser.
 FIG. 2 is a rear perspective view of thereof.
 FIG. 3 is a front elevation view thereof.
 FIG. 4 is a right side elevation view thereof.
 FIG. 5 is a left side elevation view thereof.
 FIG. 6 is a rear elevation view thereof.
 FIG. 7 is a top plan view thereof; and,
 FIG. 8 is a bottom plan view thereof.

1 Claim, 8 Drawing Sheets



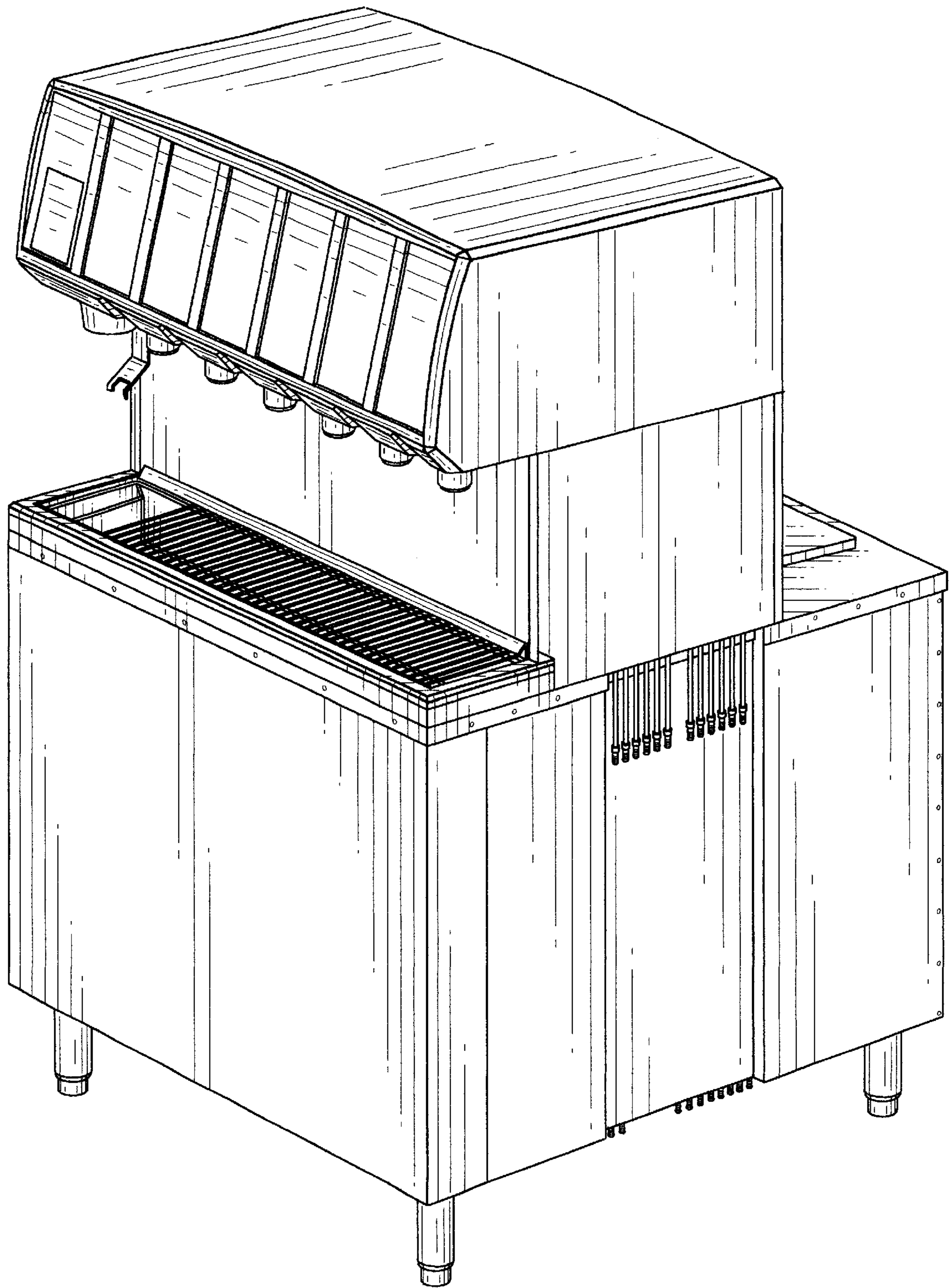


Fig. 1

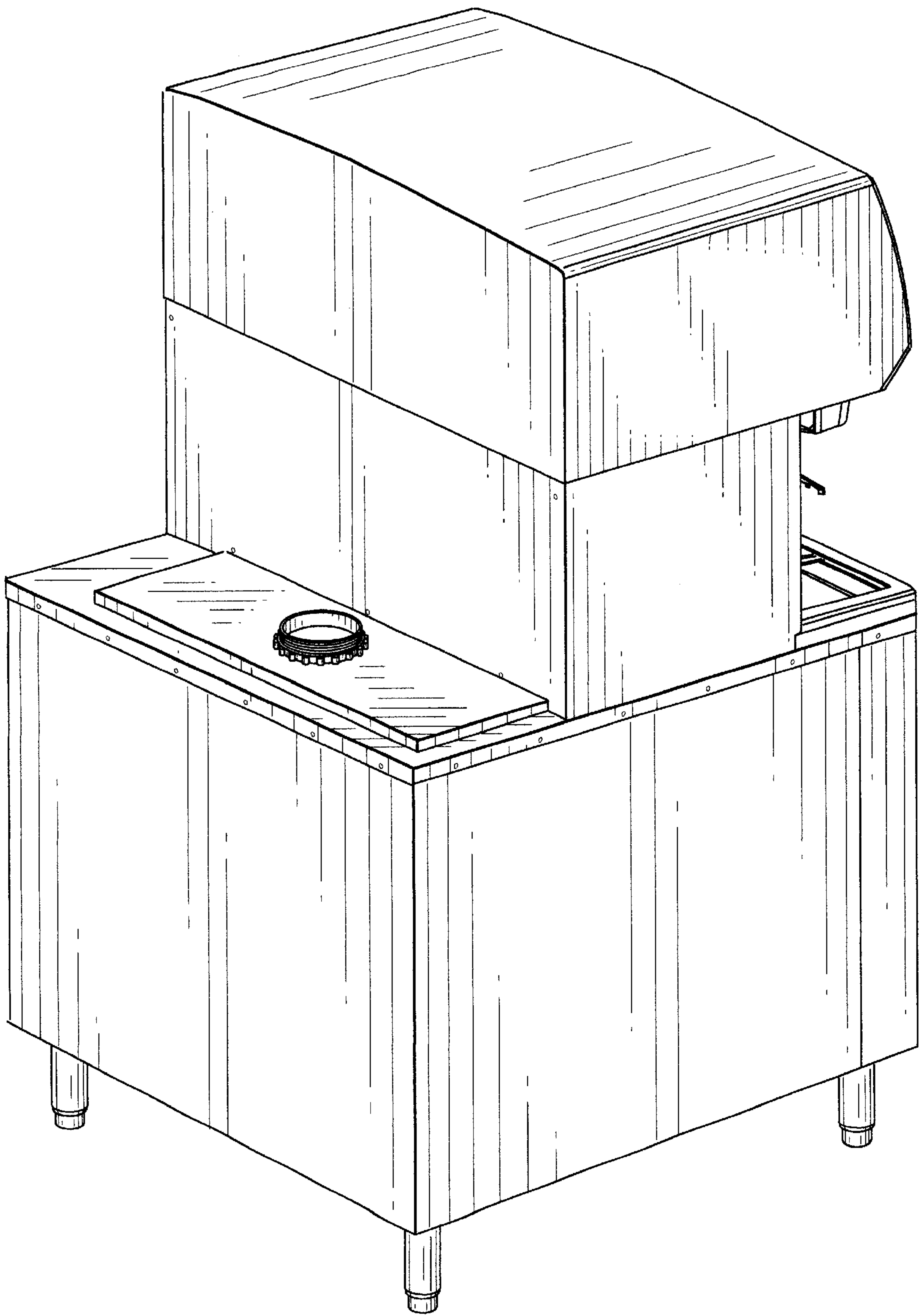


Fig. 2

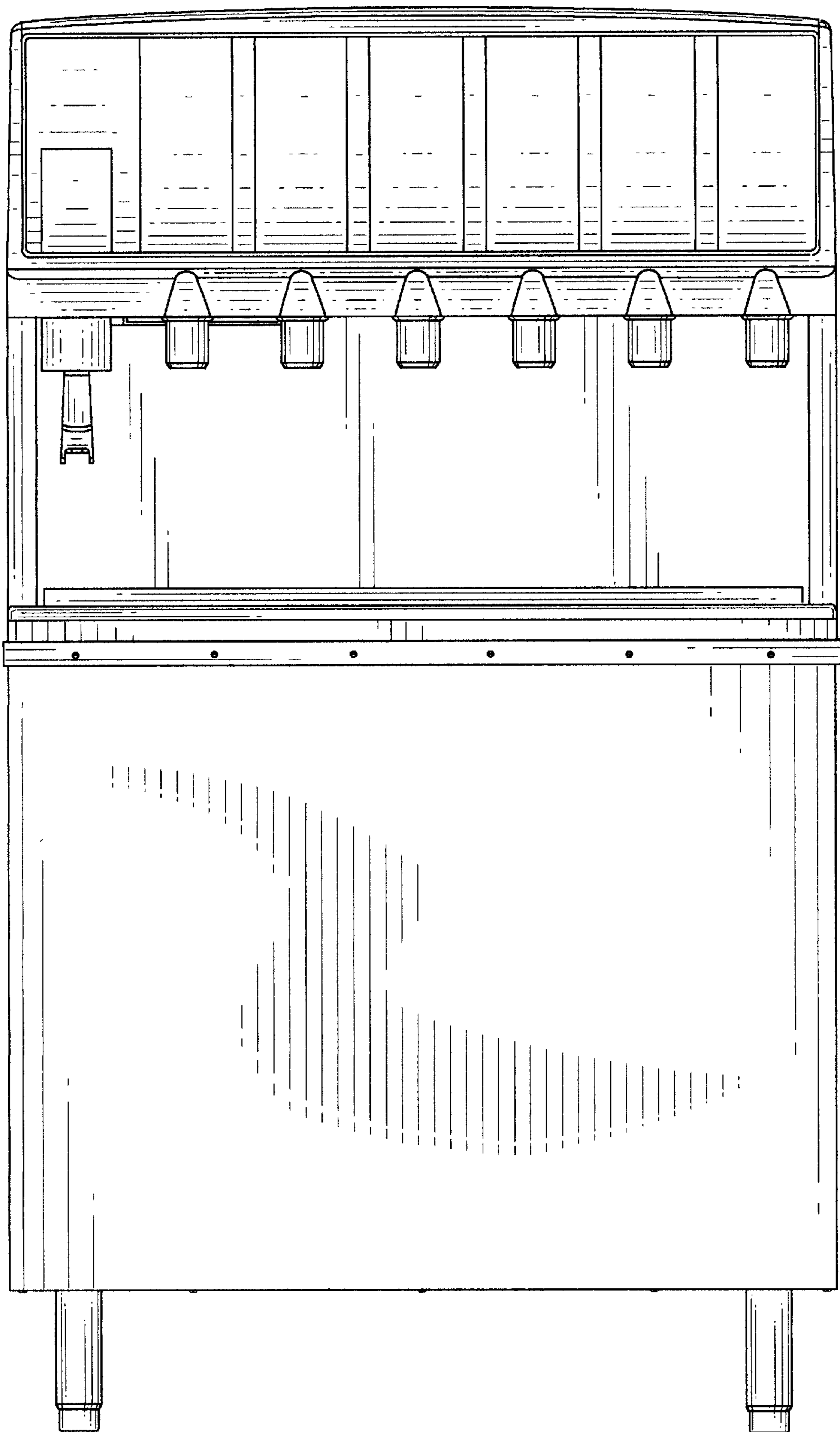


Fig. 3

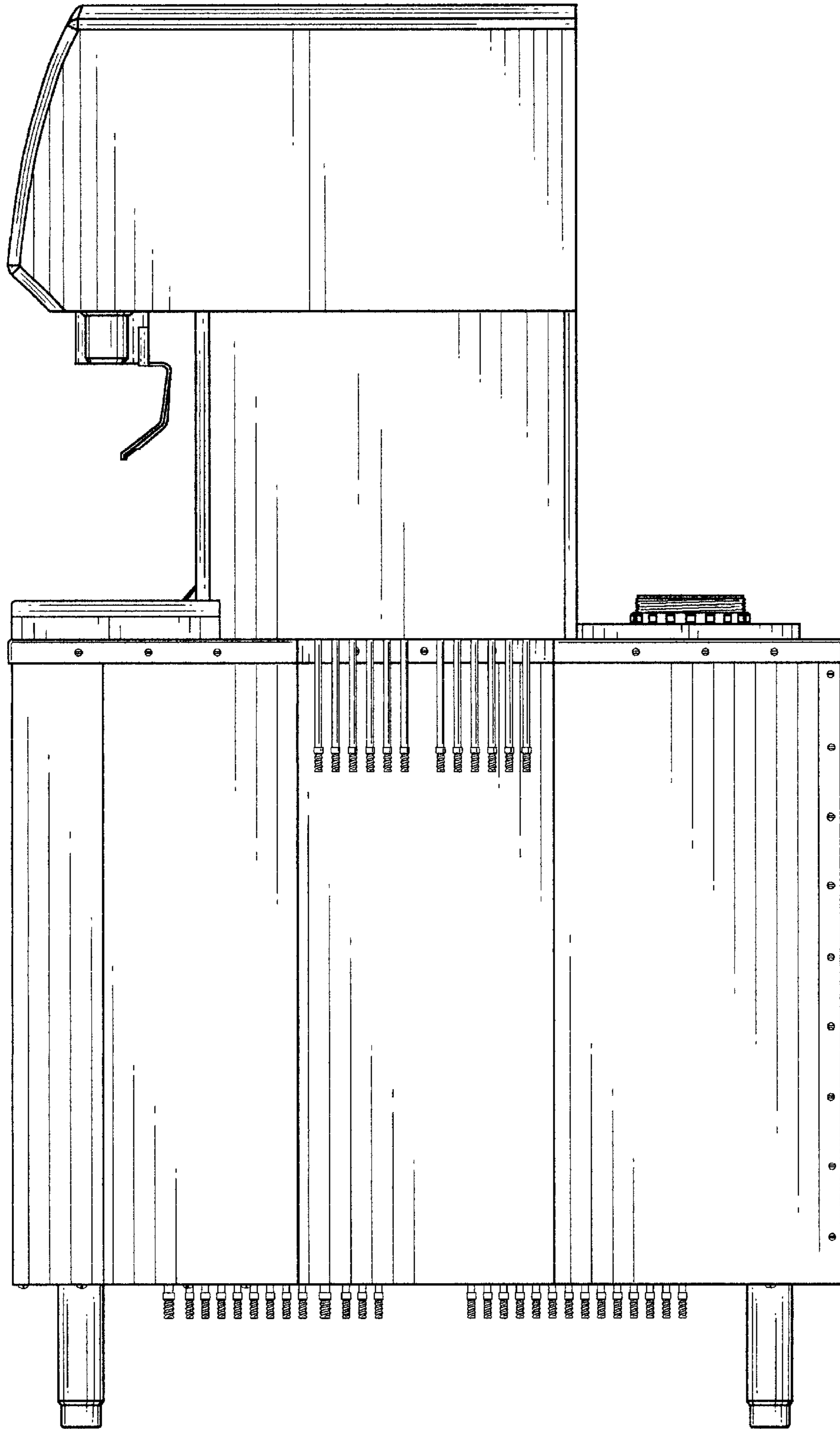


Fig. 4

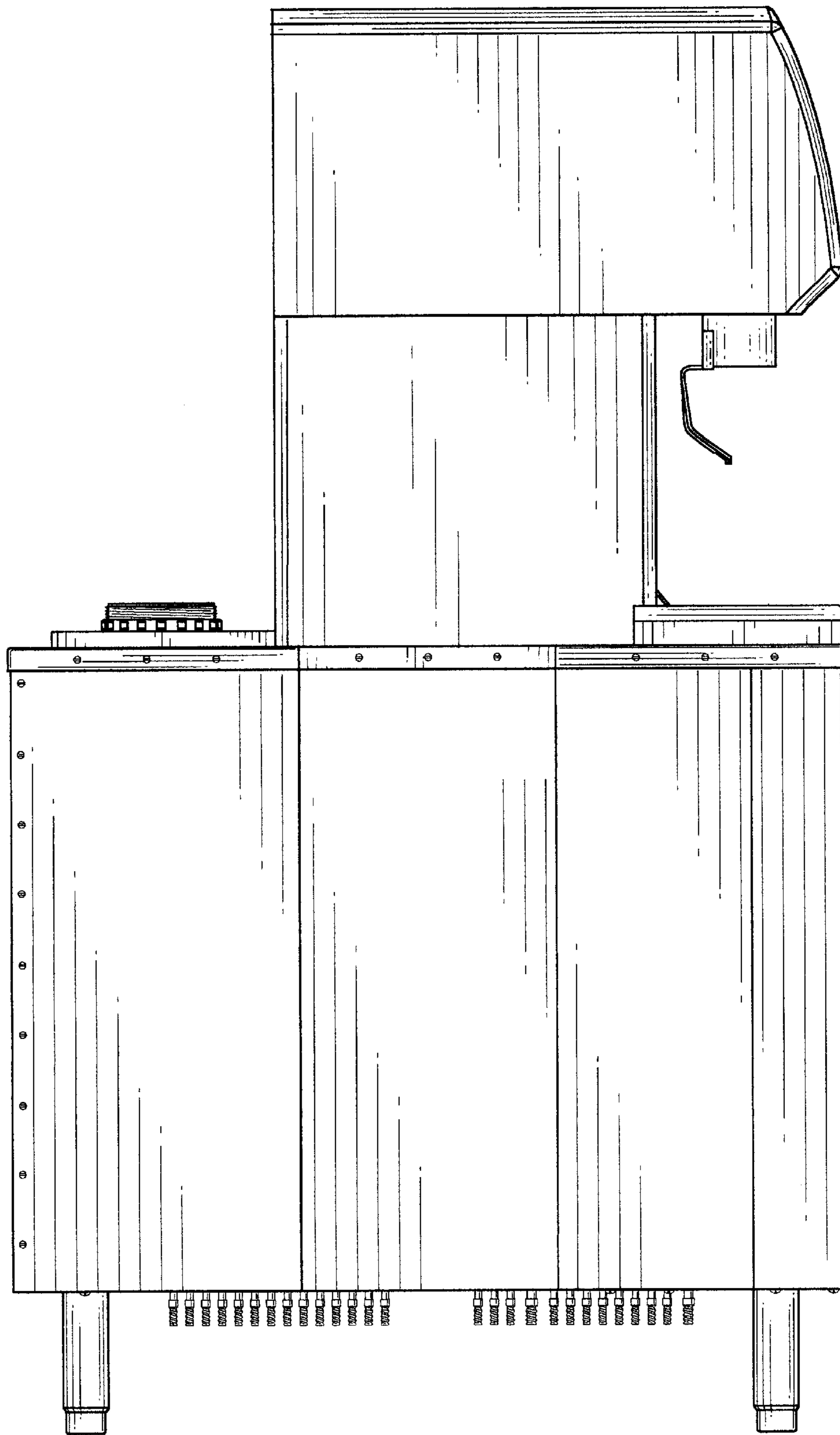


Fig. 5

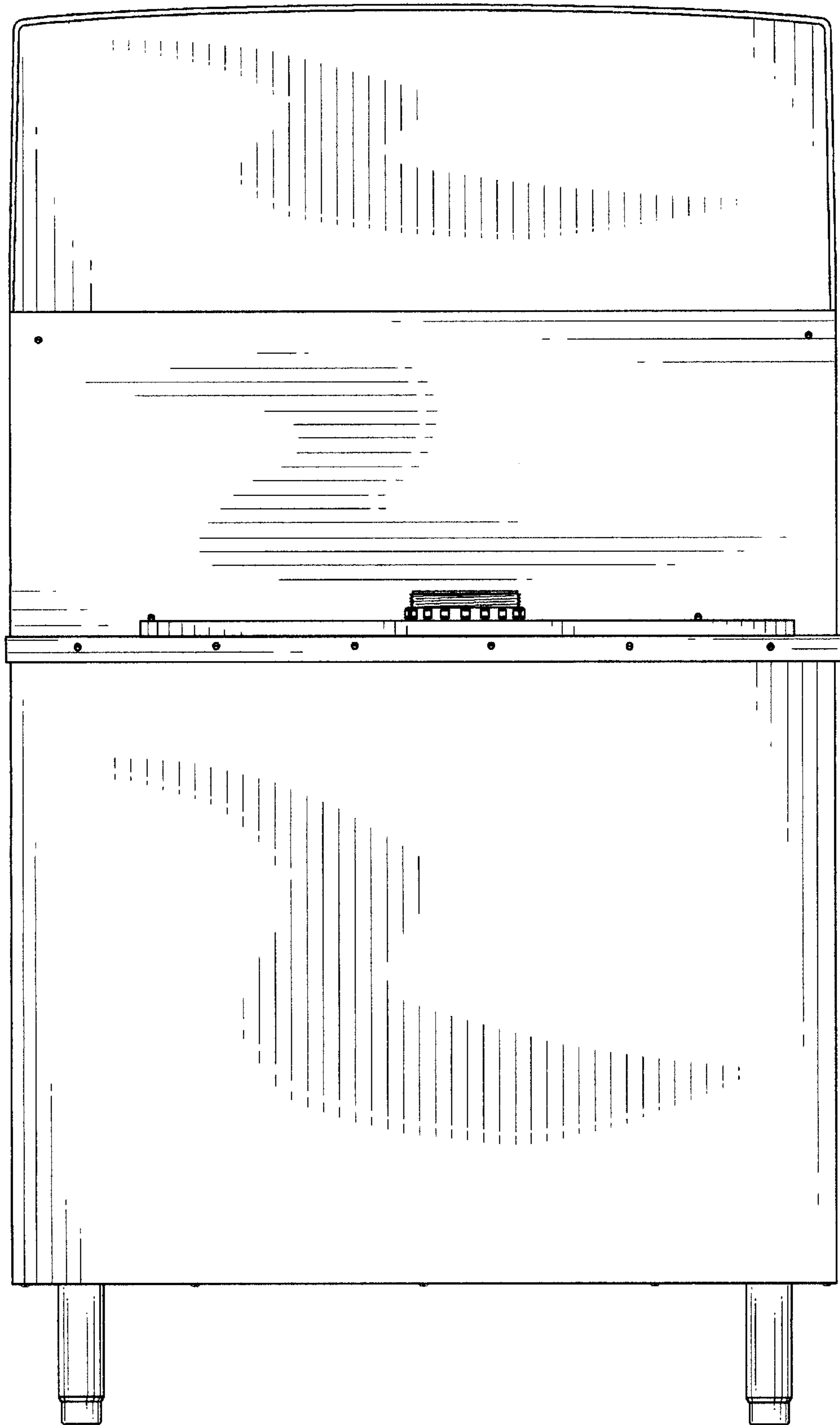


Fig. 6

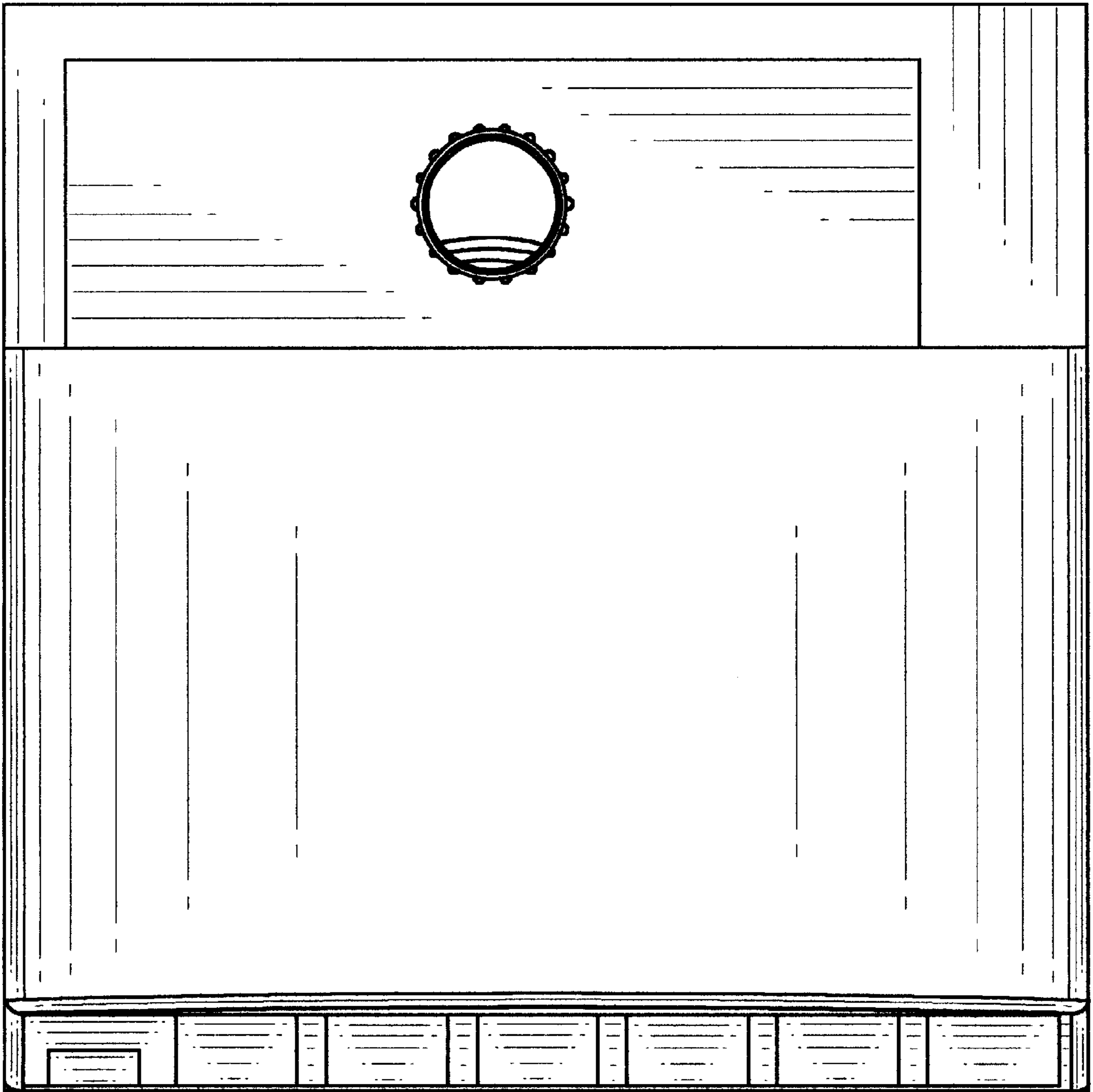


Fig. 7

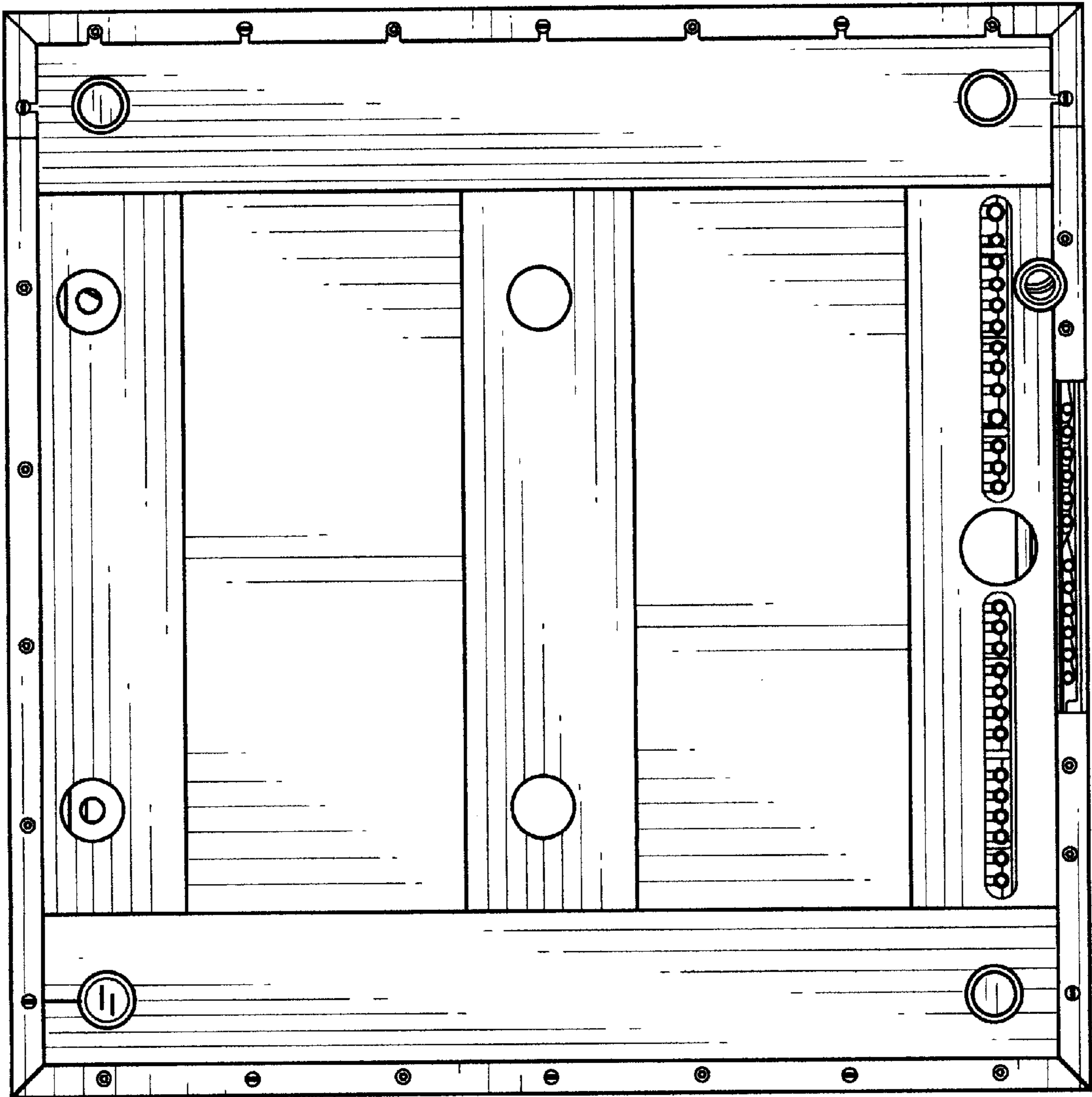


Fig. 8