



US00D452404B1

(12) **United States Design Patent**
Cameron

(10) **Patent No.:** **US D452,404 S**

(45) **Date of Patent:** **** Dec. 25, 2001**

(54) **BUCKET SEAT CUSHION**

(76) **Inventor:** **Frederick J. Cameron**, 2444 Sagamore Dr., Anderson, IN (US) 46011

(**) **Term:** **14 Years**

(21) **Appl. No.:** **29/139,142**

(22) **Filed:** **Mar. 27, 2001**

(51) **LOC (7) Cl.** **06-09**

(52) **U.S. Cl.** **D6/601**

(58) **Field of Search** D6/595, 596, 597, D6/599, 601, 602, 603, 604, 605, 608, 417, 418, 419, 420, 485, 495, 499, 630, 631, 632, 633, 636, 637, 638, 639, 640, 641, 644, 645, 646, 648, 650, 651, 652, 652.1, 653, 654, 655, 655.3, 655.4, 655.9, 656, 657, 657.5, 690, 706, 710, 717, 718, 727, 731, 733, 736, 737; 15/208, 209.1, 210.1

(56) **References Cited**

U.S. PATENT DOCUMENTS

211,741 * 1/1879 Johnson 5/655.3
D. 256,870 * 9/1980 Britzman D6/601
D. 309,542 * 7/1990 Glenn 5/652

D. 337,914 * 8/1993 McDonald D6/601
D. 416,745 * 11/1999 Noyes D6/601
D. 439,100 * 3/2001 Owaku D6/601
D. 441,587 * 5/2001 Cameron D6/601
3,009,172 * 11/1961 Eidam 5/639
5,014,376 * 5/1991 Doran et al. 5/655
6,230,350 * 5/2001 Goldstein 5/636

* cited by examiner

Primary Examiner—Doris V. Coles

Assistant Examiner—T. Chase Nelson

(74) *Attorney, Agent, or Firm*—Neal O. Willmann

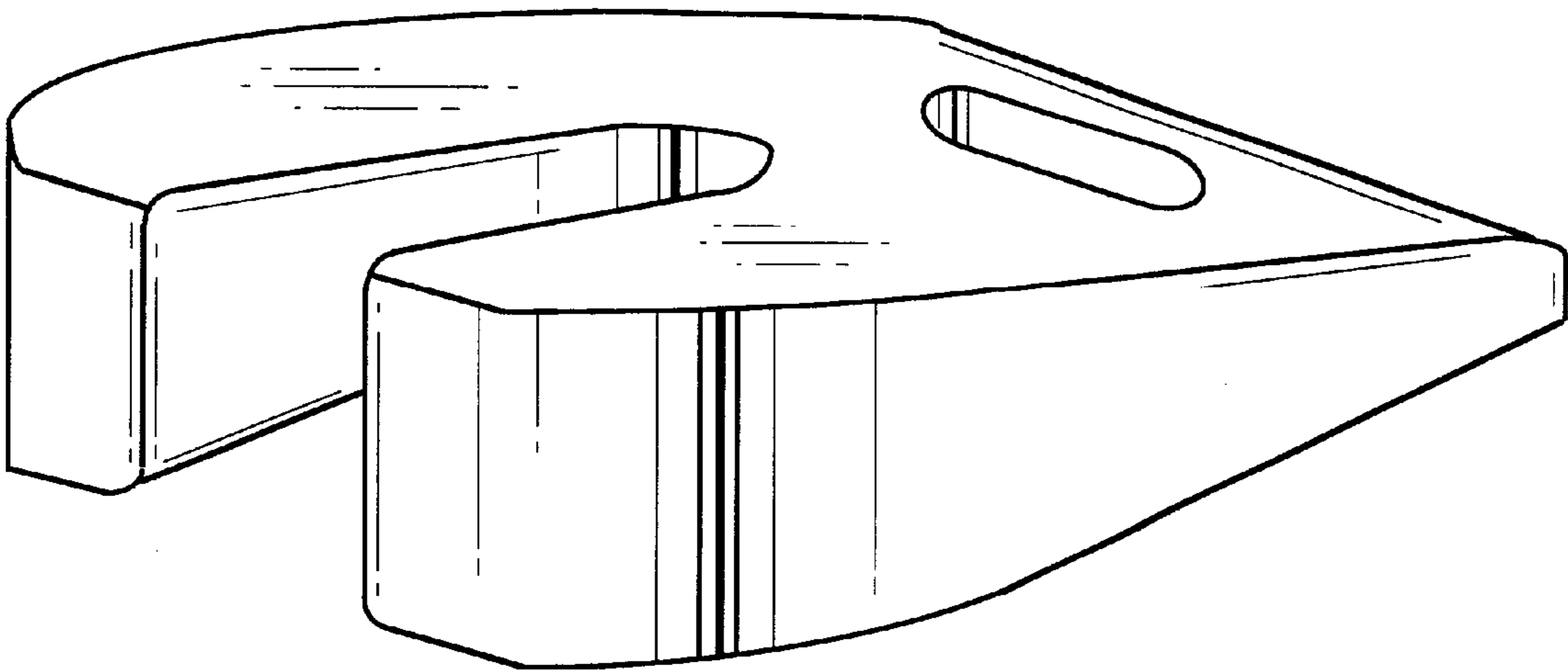
(57) **CLAIM**

The ornamental design for a bucket seat cushion, as shown and described.

DESCRIPTION

FIG. 1 is a top plan view showing my new design for a bucket seat cushion;
FIG. 2 is a bottom plan view thereof;
FIG. 3 is a rear elevational view thereof;
FIG. 4 is a front elevational view thereof;
FIG. 5 is a side elevational view thereof, both sides being identical; and,
FIG. 6 is a side and rear perspective view thereof.

1 Claim, 2 Drawing Sheets



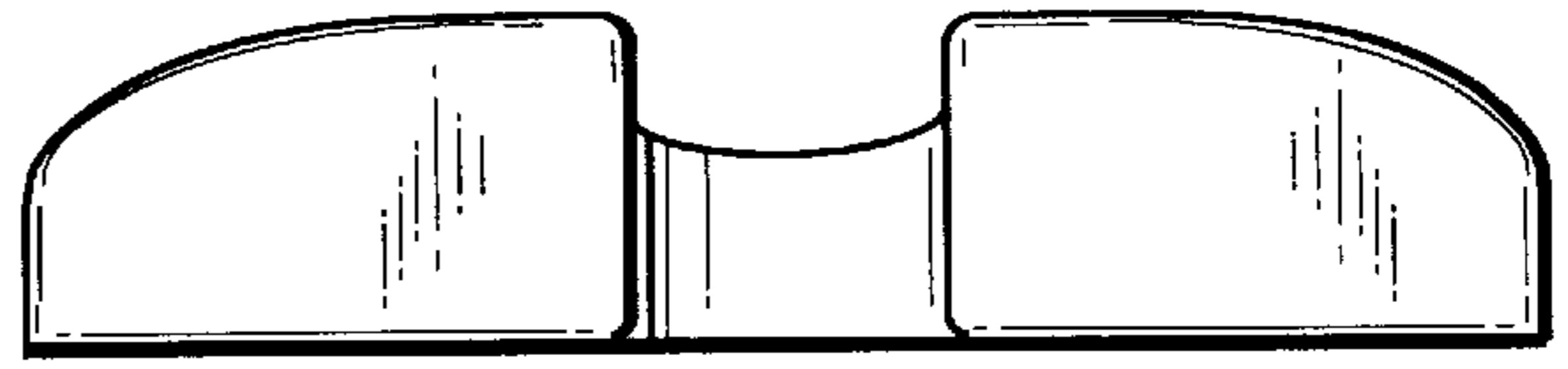


Fig. 3

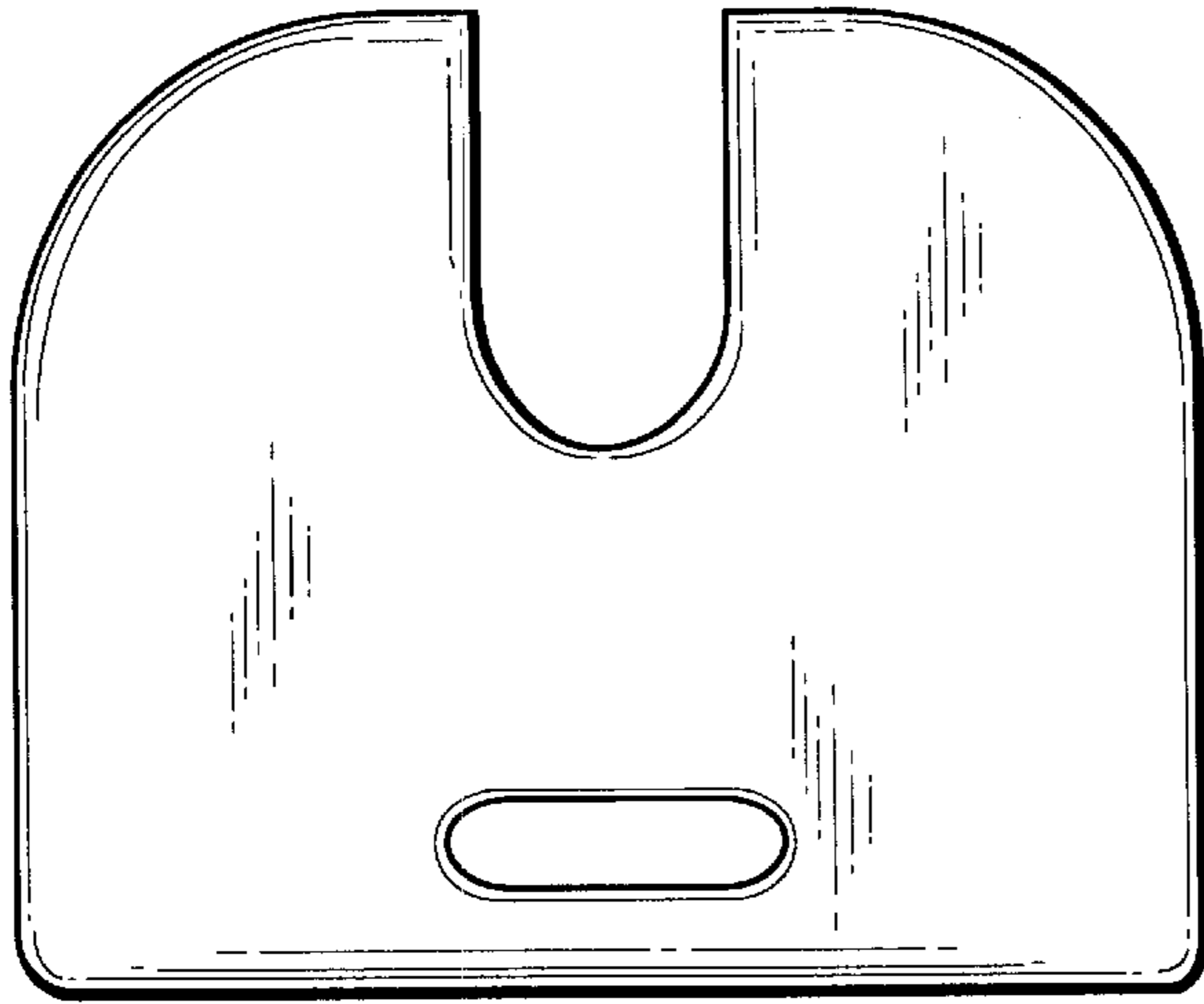


Fig. 1

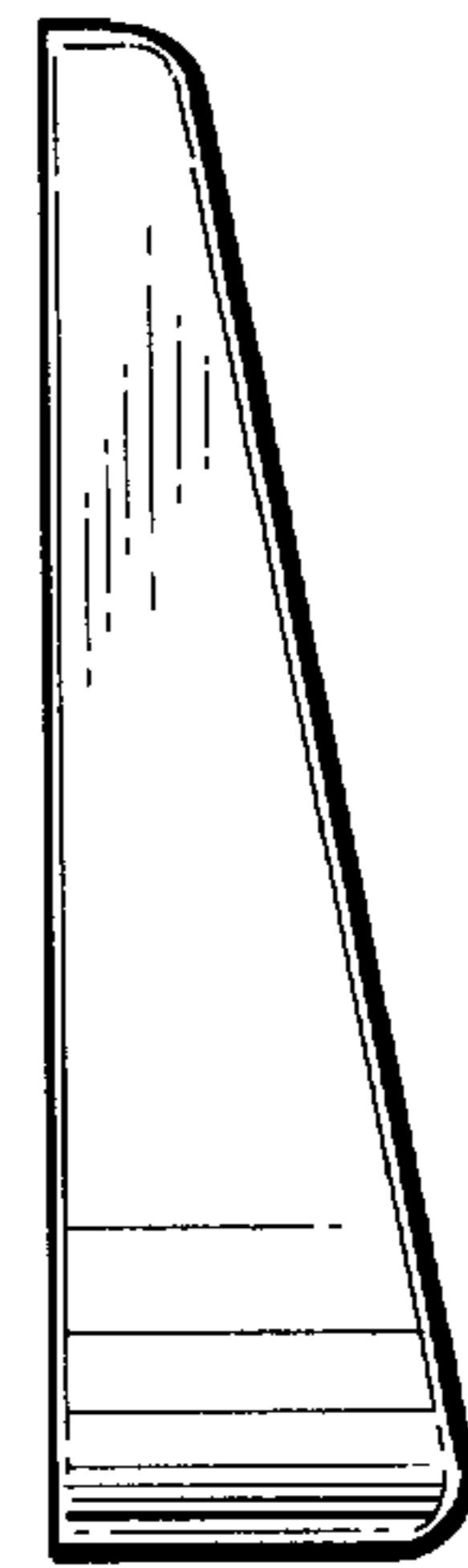


Fig. 5

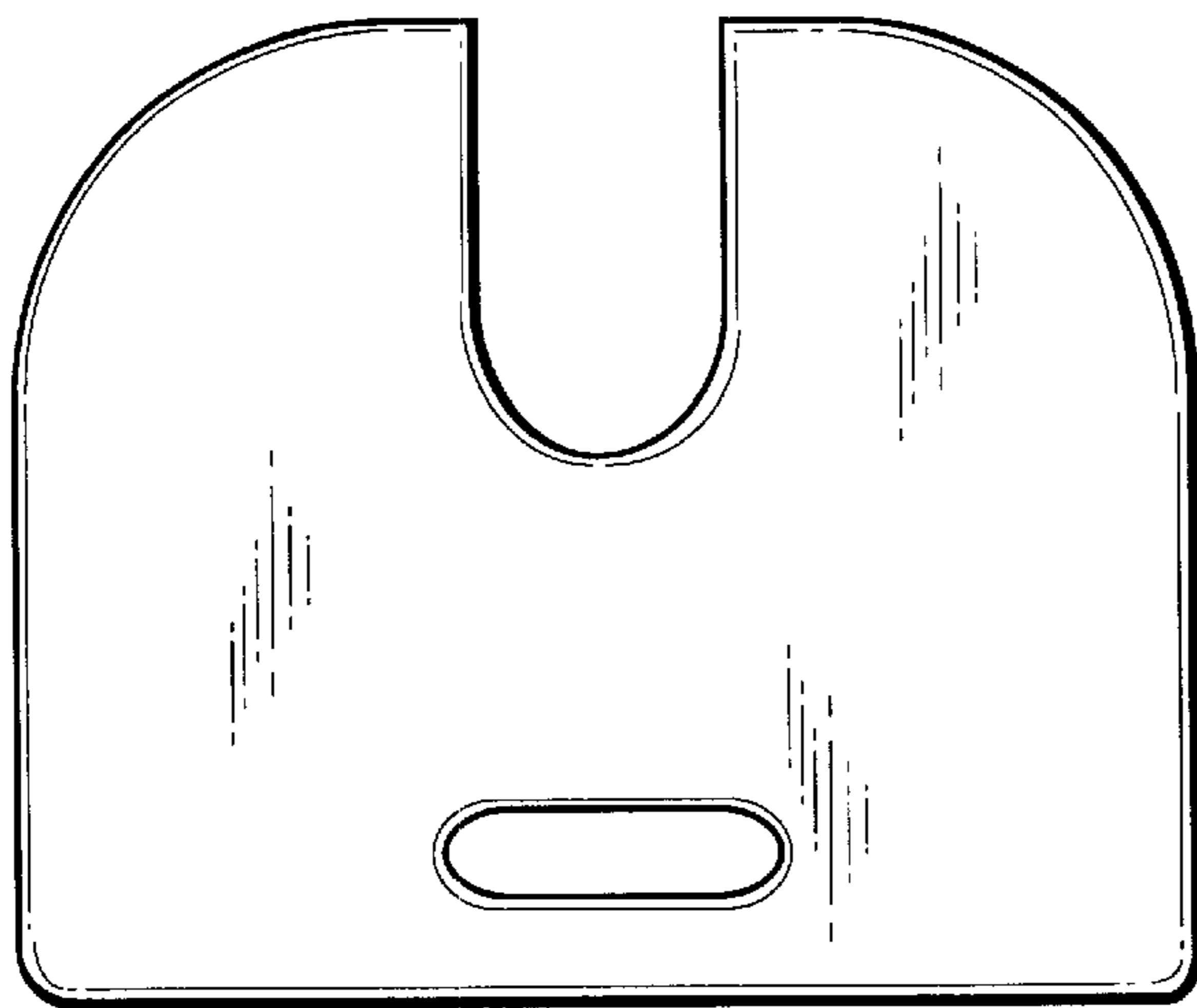
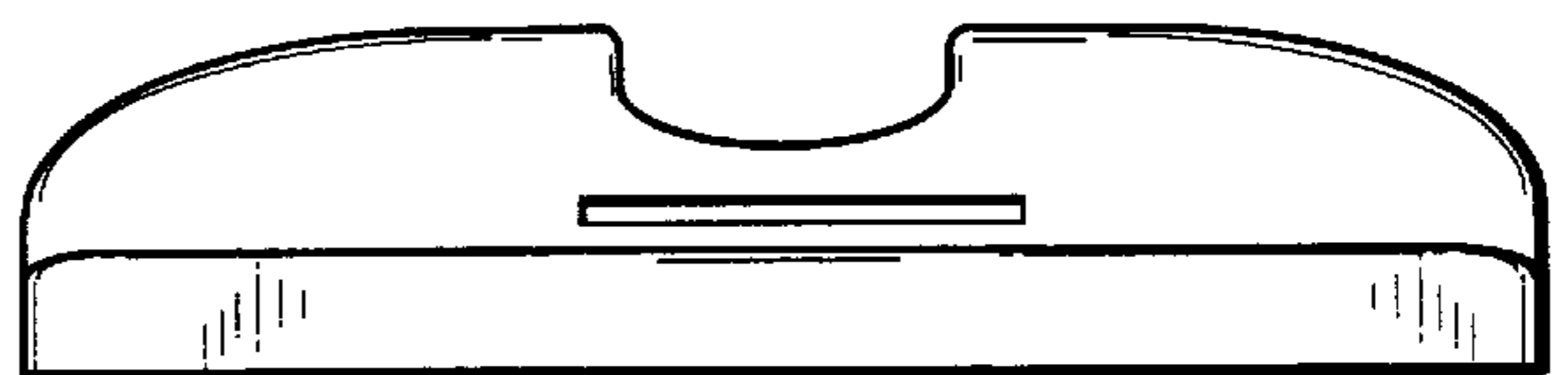


Fig. 2

Fig. 4



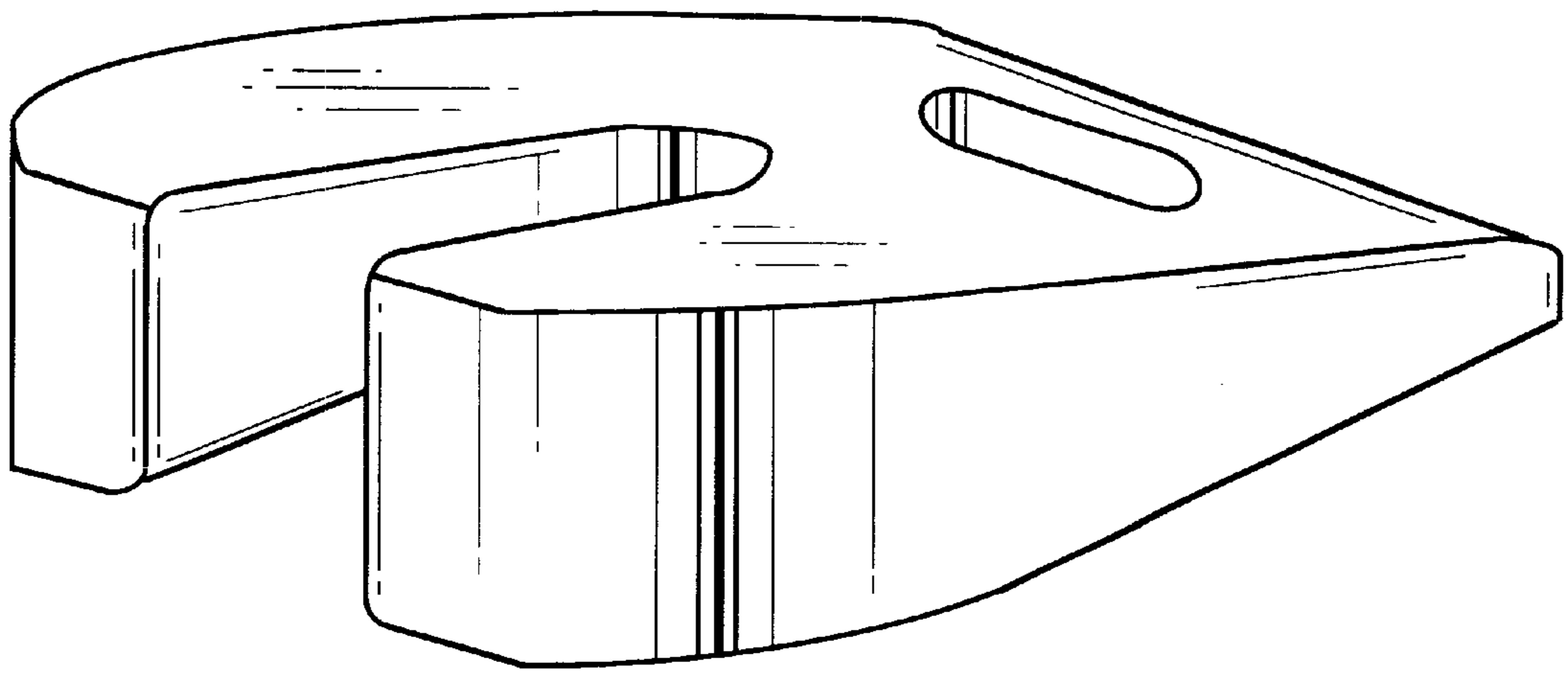


Fig. 6