



US00D452401B1

(12) **United States Design Patent**  
**Schmidt et al.**

(10) **Patent No.:** **US D452,401 S**

(45) **Date of Patent:** **\*\* Dec. 25, 2001**

(54) **PLUNGER AND CADDY**

(75) Inventors: **William F. Schmidt**, Libertyville;  
**Michael S. Murphy**, Wilmette, both of  
IL (US); **Mark A. Mrocca**, Belleville,  
MI (US)

(73) Assignee: **The Faucet-Queens, Inc.**, DE (US)

(\*\*) Term: **14 Years**

(21) Appl. No.: **29/143,244**

(22) Filed: **Jun. 8, 2001**

(51) **LOC (7) Cl.** ..... **23-02**

(52) **U.S. Cl.** ..... **D6/524; D6/551**

(58) **Field of Search** ..... D6/524, 551; 206/207,  
206/209, 209.1, 349, 361, 362.2, 362.3,  
15.2, 15.3; 312/206

(56) **References Cited**

**U.S. PATENT DOCUMENTS**

D. 276,291	*	11/1984	Boroch	.....	D6/551	X
D. 291,039	*	7/1987	Bokmiller	.....	D6/551	
D. 298,712	*	11/1988	Mattei	.....	D6/551	
D. 315,269	*	3/1991	Brazis	.....	D6/551	
D. 362,575	*	9/1995	Bird et al.	.....	D6/551	
D. 383,935	*	9/1997	Zawalsky	.....	D6/524	
D. 400,748	*	11/1998	France	.....	D6/551	
D. 413,470	*	9/1999	Burton	.....	D6/551	
2,757,787	*	8/1956	Sergent	.....	206/361	
3,085,678	*	4/1963	Moore	.....	206/361	X

4,008,933	2/1977	Wanek	.	
4,458,368	7/1984	Webb	.	
4,768,237	9/1988	Torti	.	
4,831,669	5/1989	Edwards	.	
5,456,356	* 10/1995	Kurzawa	.....	206/349
5,836,322	11/1998	Borger et al.	.	
5,924,566	7/1999	Gibbs	.	
5,958,150	9/1999	Borger et al.	.	
5,971,141	10/1999	Shafik	.	
6,035,456	3/2000	Taylor	.	
6,038,709	3/2000	Kent	.	
6,241,091	* 6/2001	Moore et al.	.....	206/349

\* cited by examiner

*Primary Examiner*—Brian N. Vinson

(74) *Attorney, Agent, or Firm*—Kwadjo Adusei-Poku;  
Lloyd D. Doigan

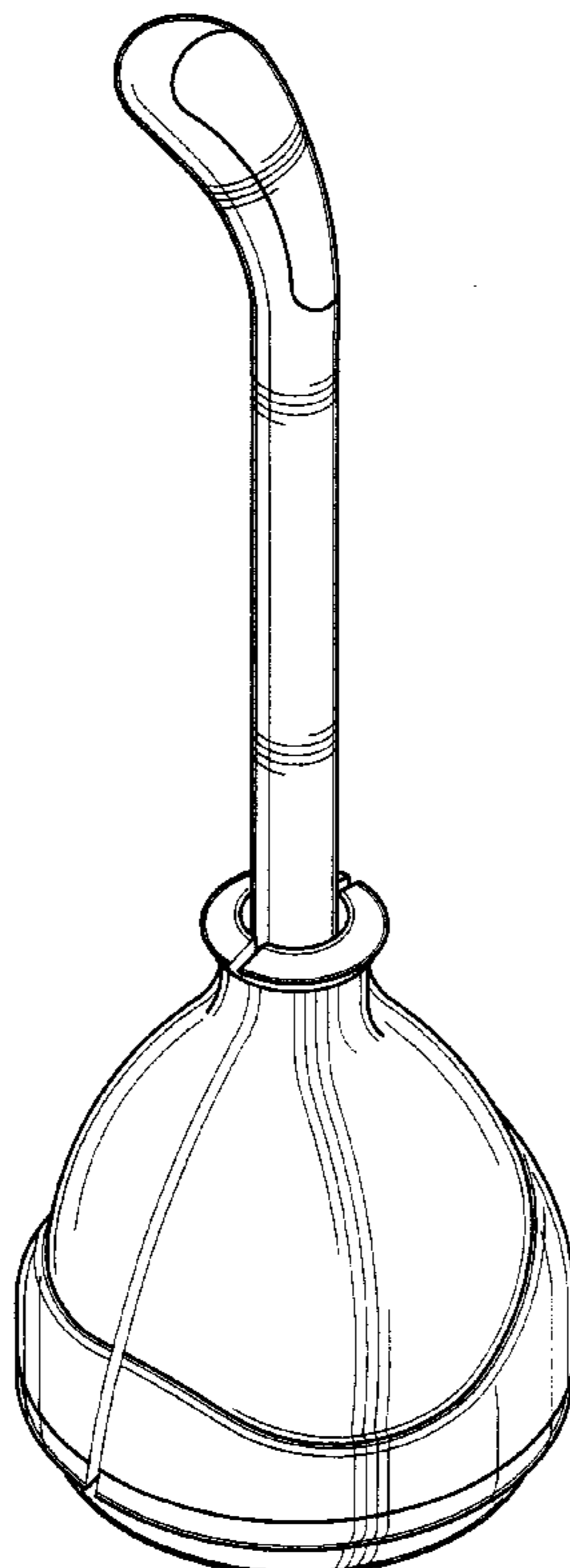
(57) **CLAIM**

The ornamental design for a plunger and caddy, as shown and described.

**DESCRIPTION**

FIG. 1 is a top perspective view of a plunger and caddy showing our new design;  
FIG. 2 is a left side elevational view thereof;  
FIG. 3 is a right side elevational view thereof;  
FIG. 4 is a front elevational view thereof;  
FIG. 5 is a rear elevational view thereof;  
FIG. 6 is a top plan view thereof; and,  
FIG. 7 is a bottom plan view thereof.

**1 Claim, 3 Drawing Sheets**



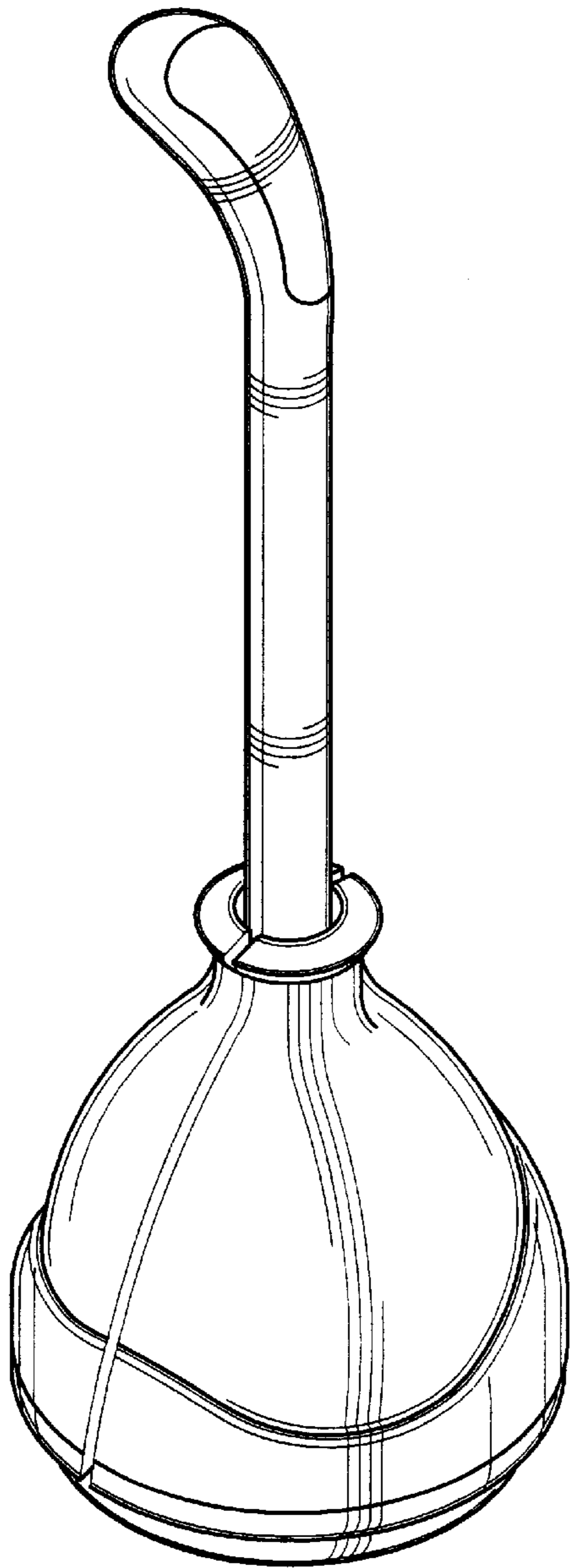


Fig-1

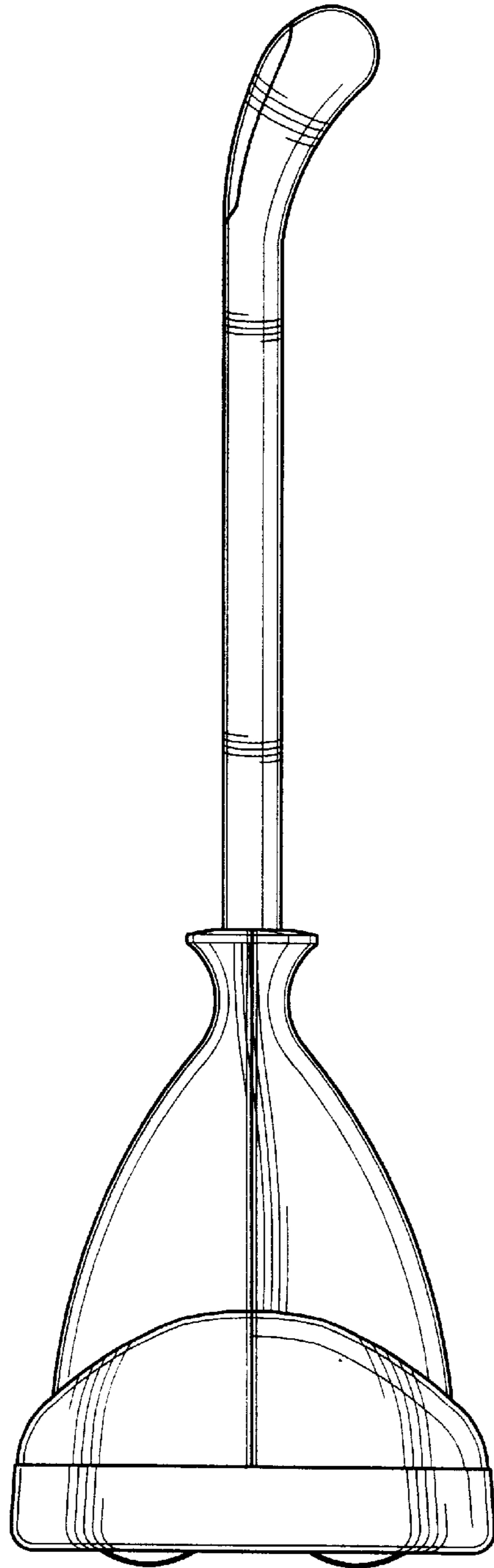


Fig-2

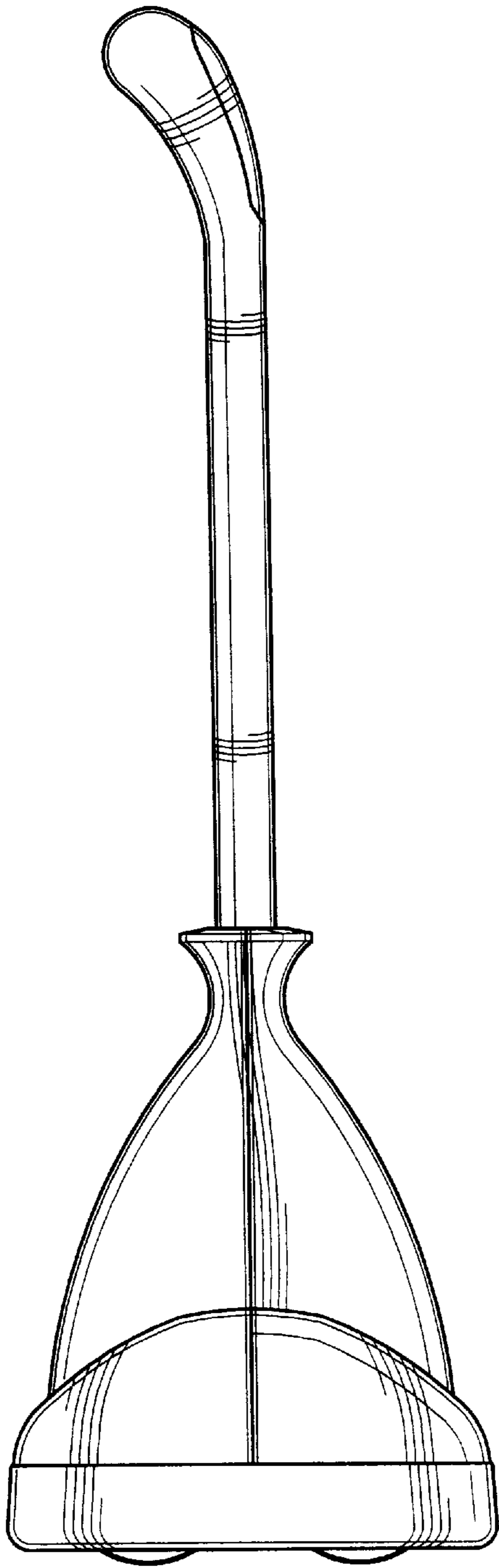


Fig-3

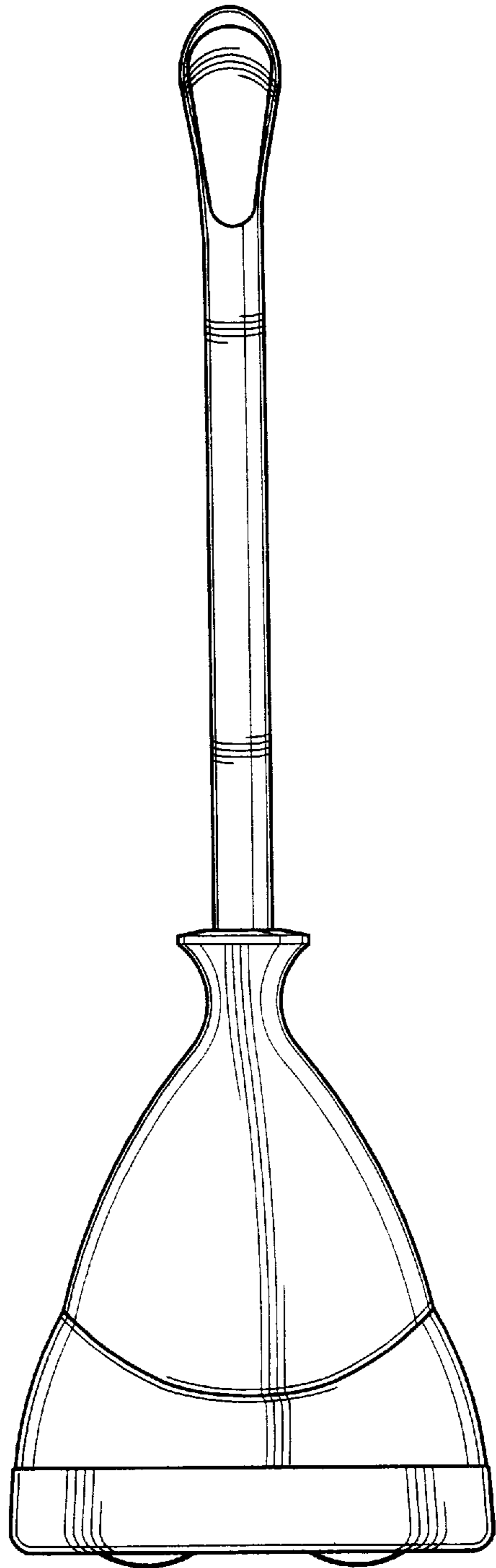


Fig-4

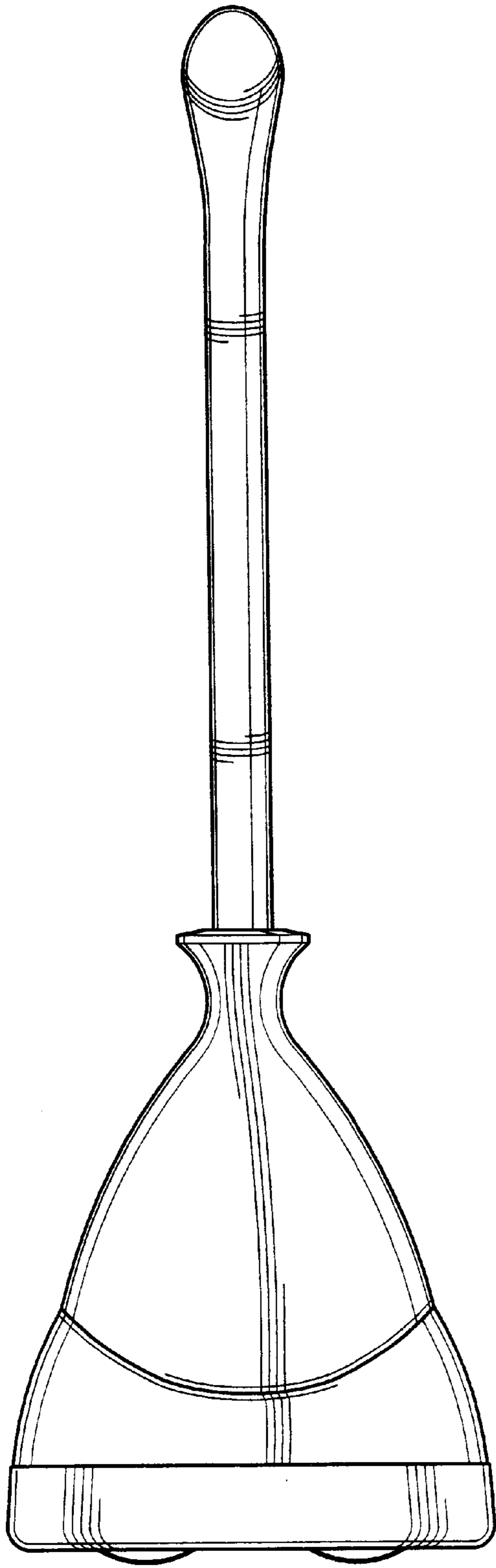


Fig-5

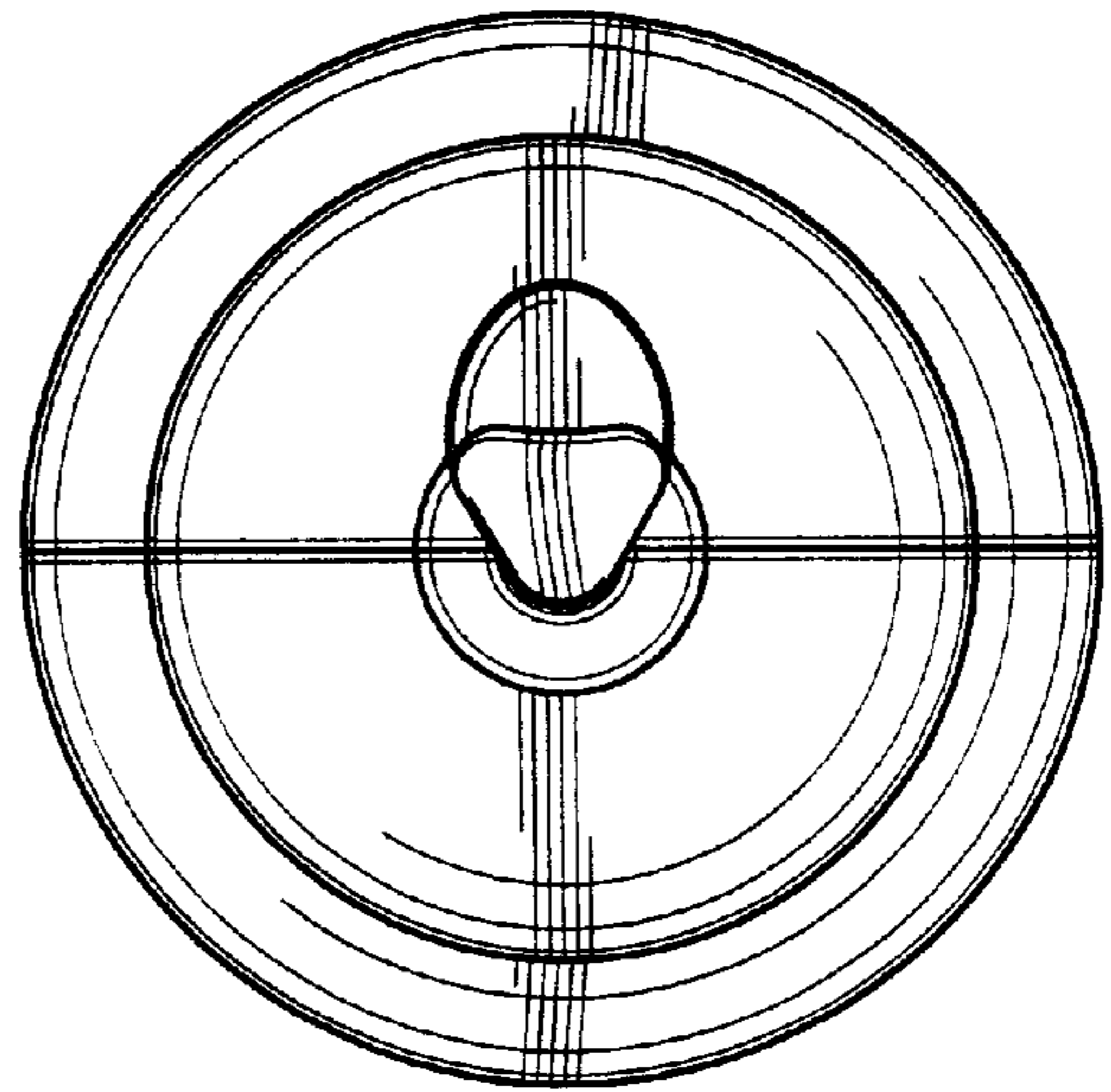


Fig-6

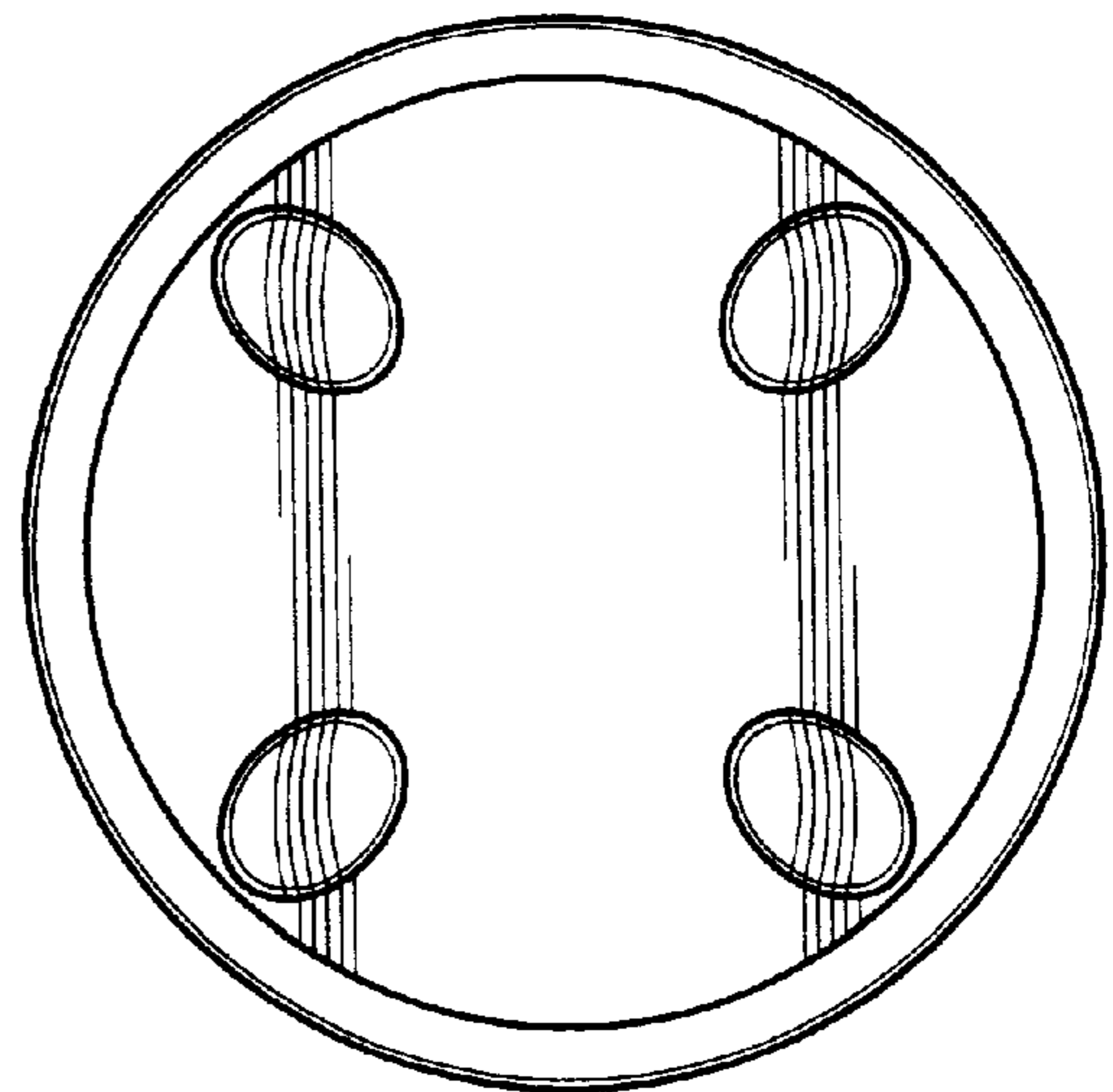


Fig-7