



US00D452399B1

(12) **United States Design Patent**
Chen

(10) **Patent No.:** **US D452,399 S**

(45) **Date of Patent:** **** Dec. 25, 2001**

(54) **POST FOR BATH ACCESSORY**

(76) Inventor: **Lien-Fu Chen**, No. 11, Lane 66, Fu Dong Street, Fu Shan Li, Chung Hua City (TW)

(**) Term: **14 Years**

(21) Appl. No.: **29/130,933**

(22) Filed: **Oct. 13, 2000**

(51) **LOC (7) Cl.** **23-02**

(52) **U.S. Cl.** **D6/524; D6/550**

(58) **Field of Search** D6/546-50, 518, D6/522-24; D8/300, 315-21, 354, 363, 373, 380; 108/28-29; 211/13.1, 16, 60.1, 86.01, 87.01, 88.04, 100, 105.1-105.2, 123, 181.1, 182; 248/175, 176.1, 251, 302; 16/110.1, 412, 415; 242/570, 590, 595-598; 206/389

(56) **References Cited**

U.S. PATENT DOCUMENTS

D. 263,660 * 4/1982 Primault D8/300

D. 388,694 * 1/1998 Cohen D8/381

D. 406,272 * 3/1999 Thompson D8/363 X

D. 410,376 * 6/1999 Scholl D8/363

* cited by examiner

Primary Examiner—Brian N. Vinson

(74) *Attorney, Agent, or Firm*—Dougherty & Troxell

(57) **CLAIM**

The ornamental design for a post for bath accessory, as shown and described.

DESCRIPTION

FIG. 1 is a front elevational view of a post for bath accessory showing my new design;

FIG. 2 is a rear elevational view thereof;

FIG. 3 is a top plan view thereof;

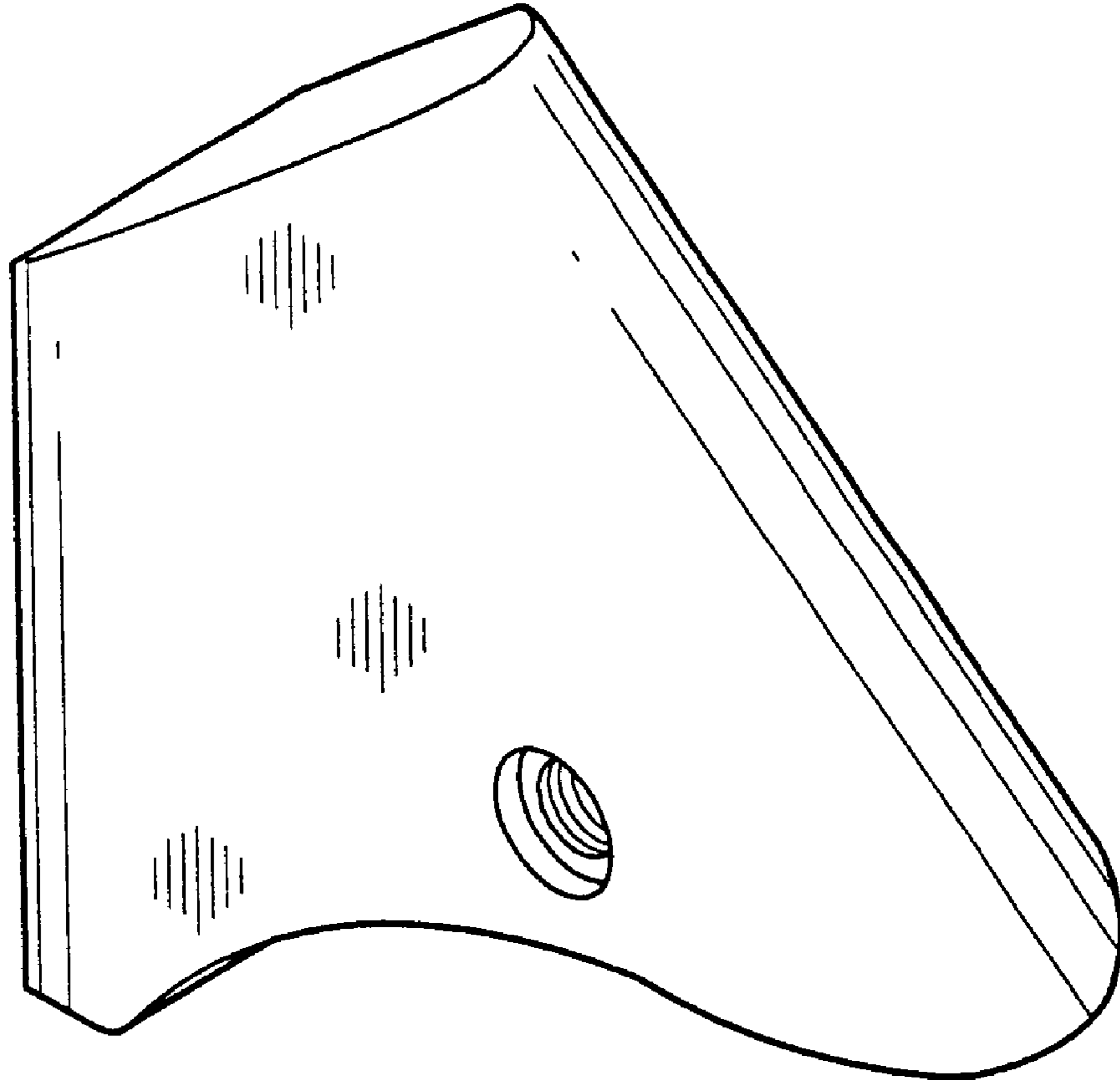
FIG. 4 is a bottom plan view thereof;

FIG. 5 is a left side elevational view thereof;

FIG. 6 is a right side elevational view thereof; and,

FIG. 7 is a perspective view thereof.

1 Claim, 4 Drawing Sheets



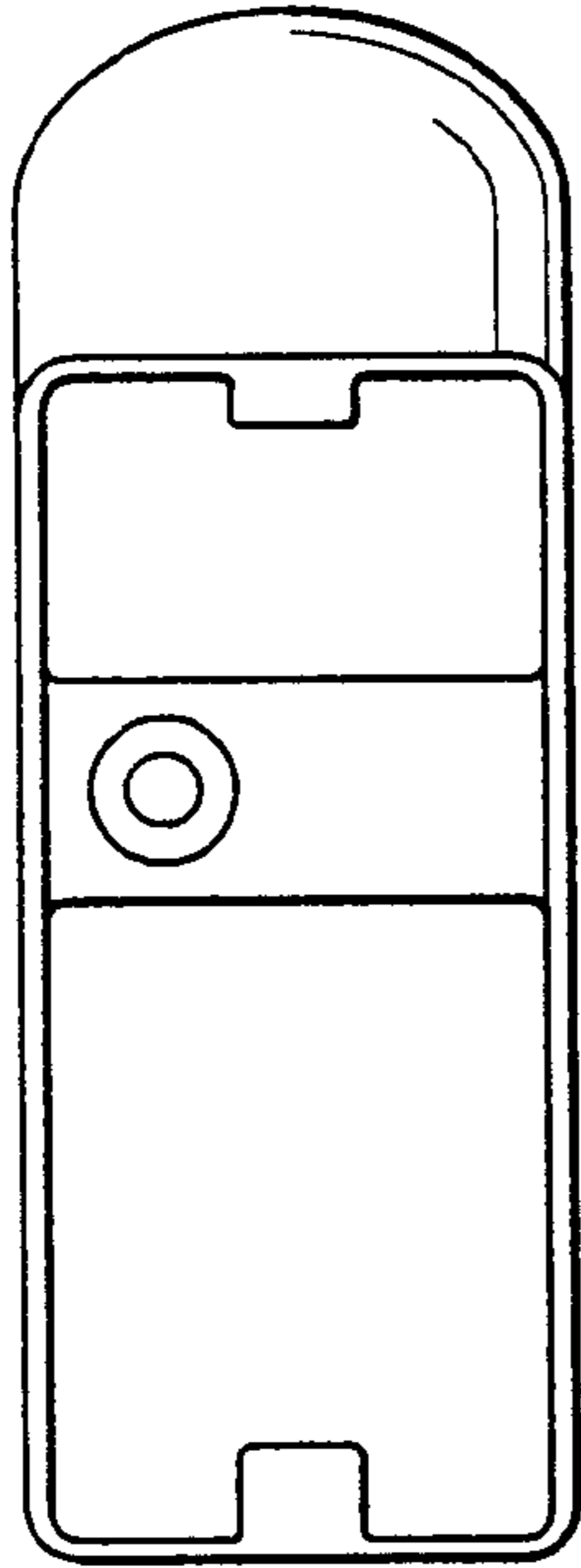


FIG. 2

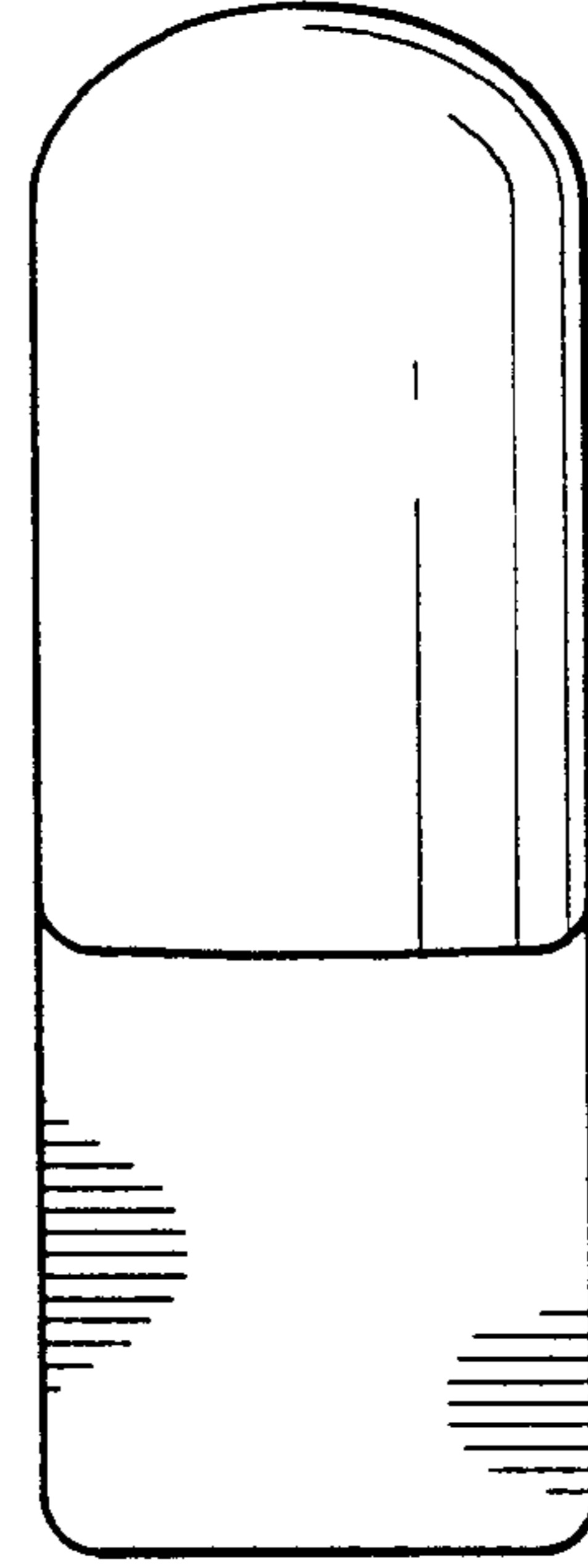


FIG. 1

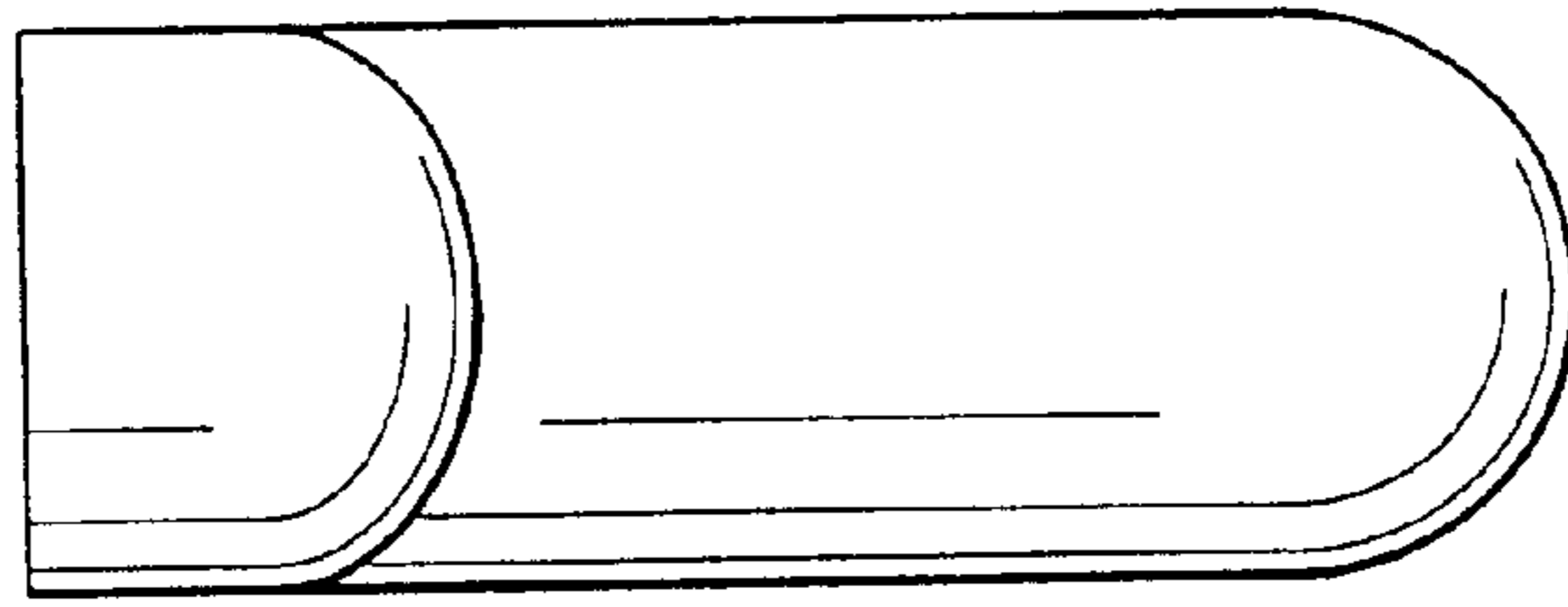


FIG. 3

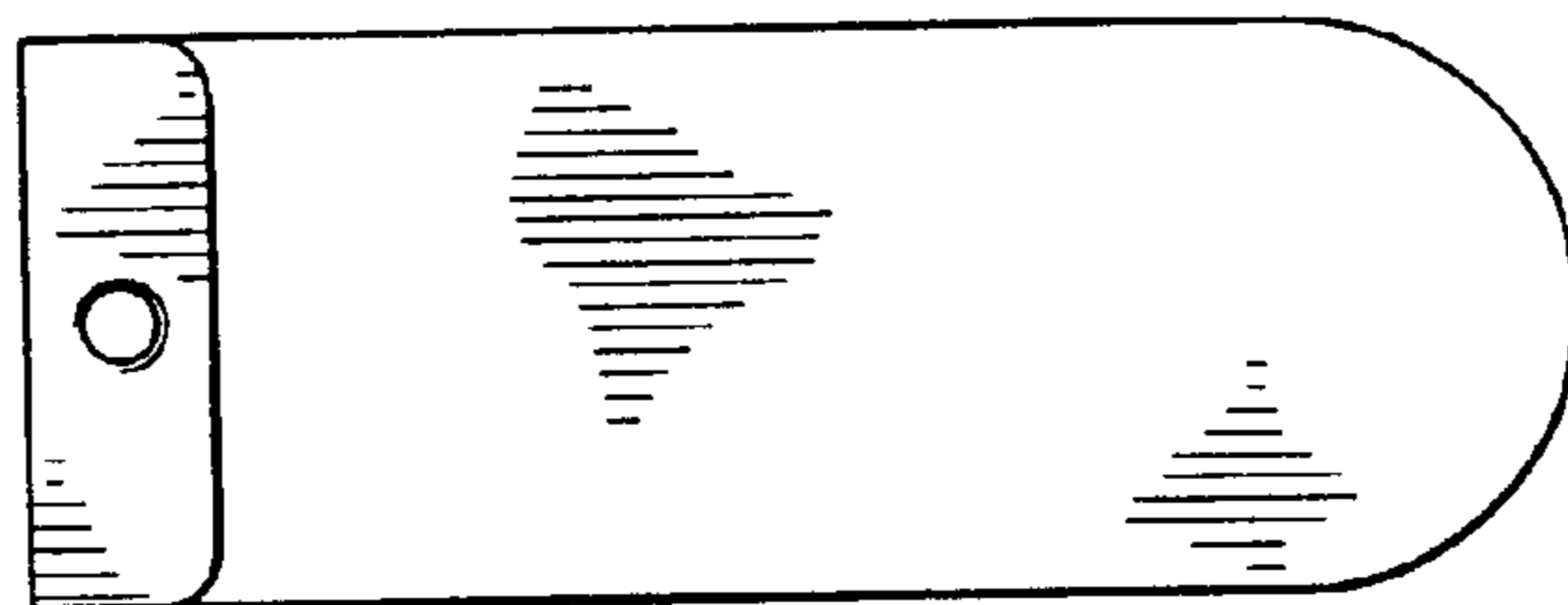


FIG. 4

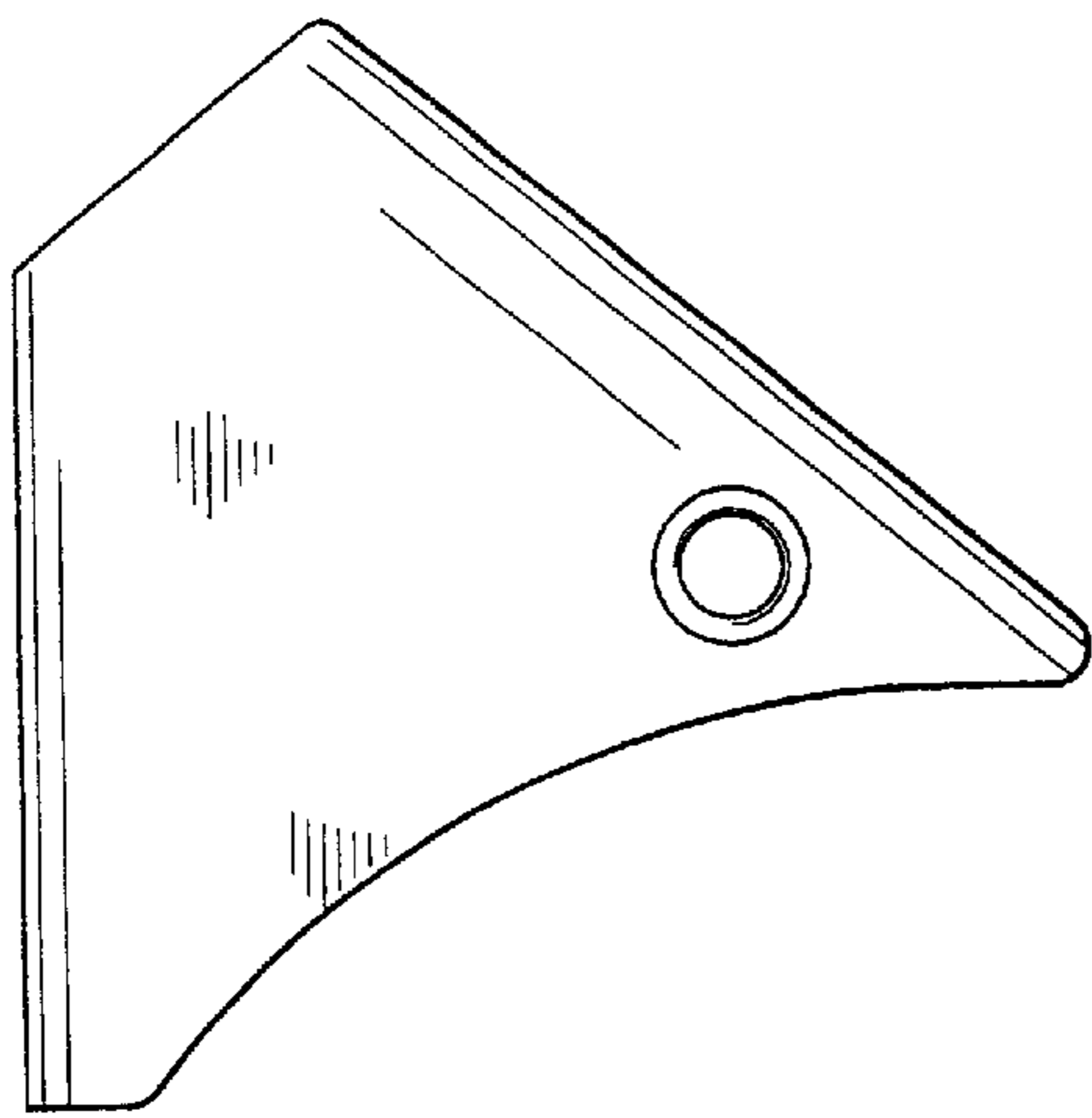


FIG. 5

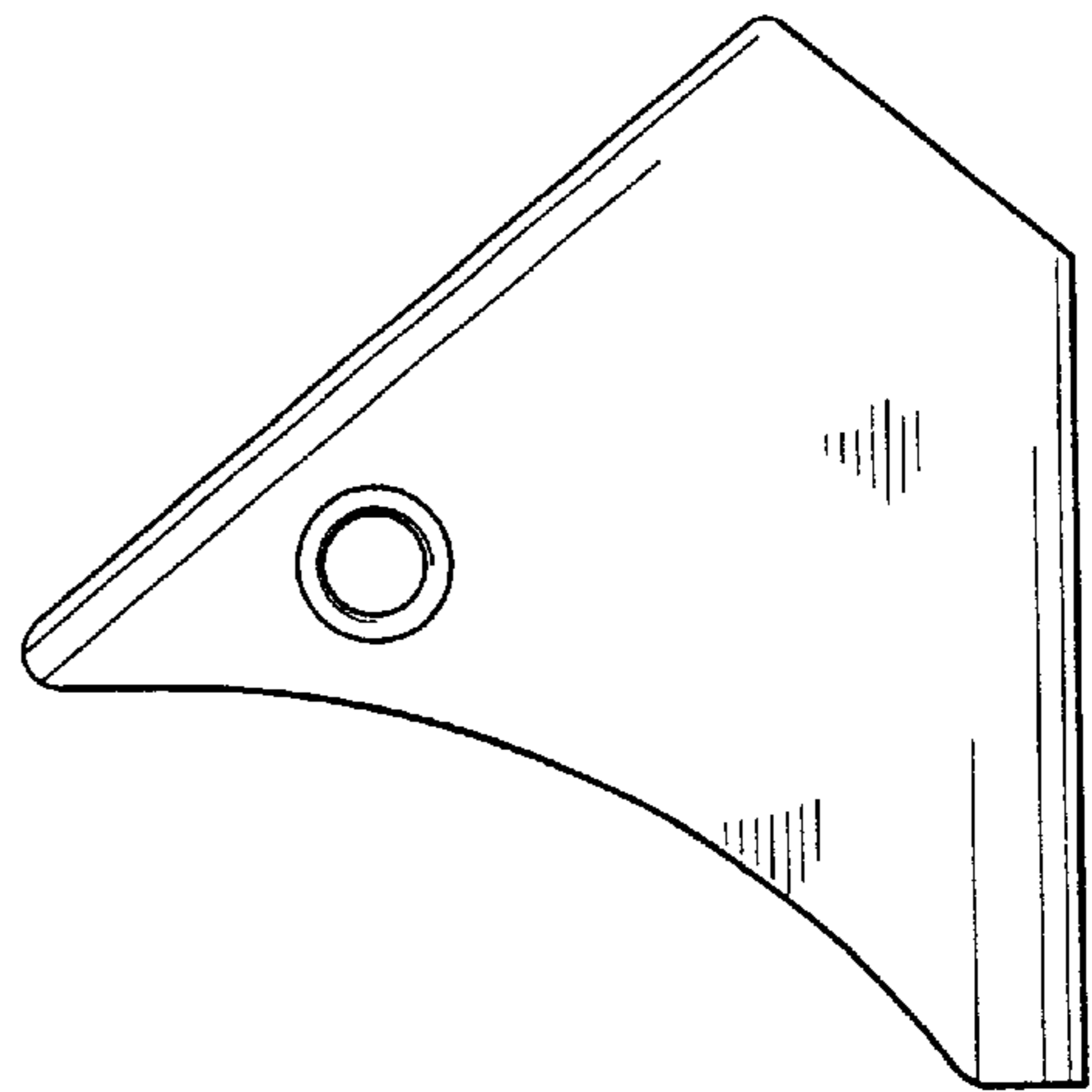


FIG. 6

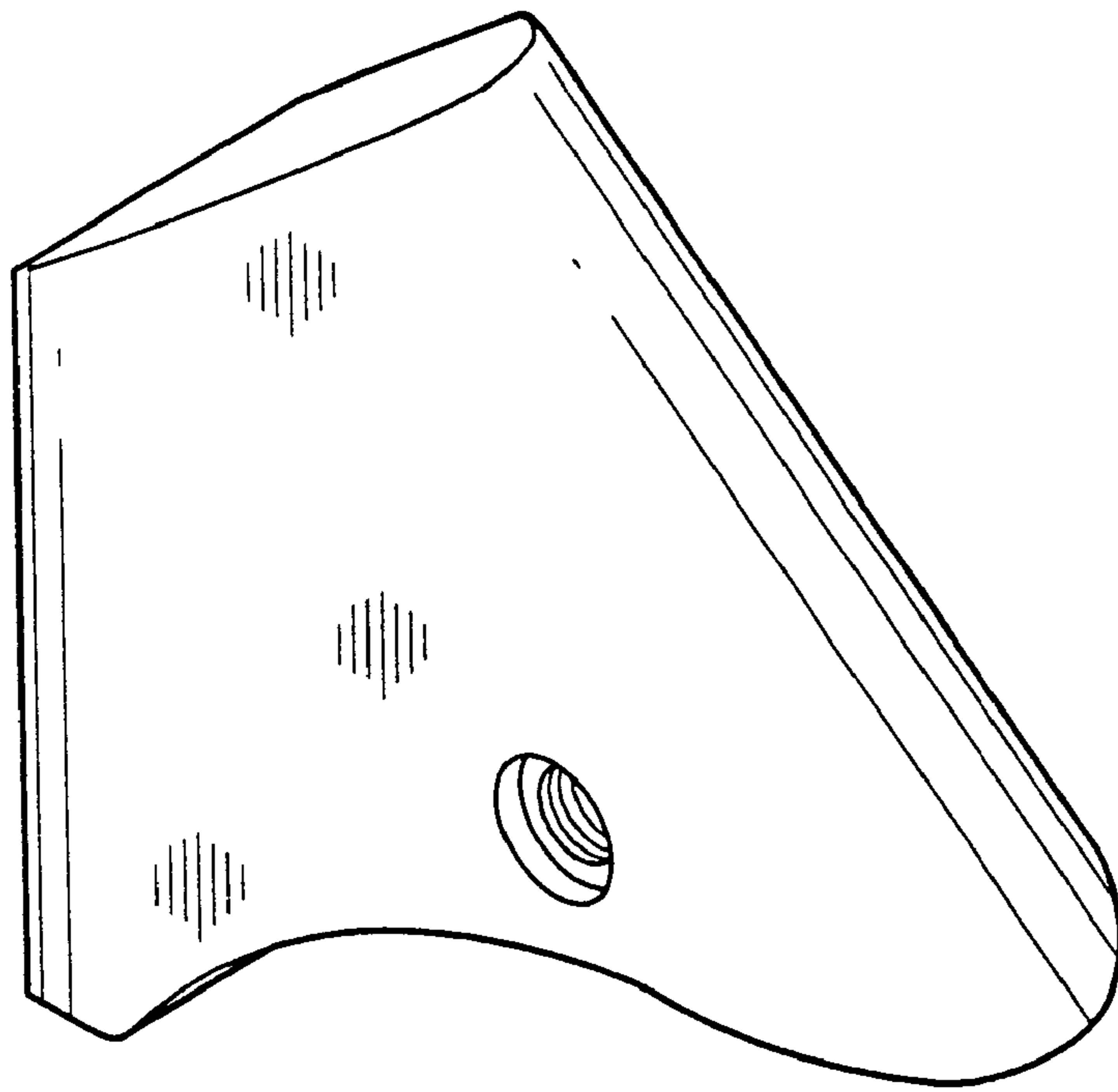


FIG. 7