



US00D452398B1

(12) **United States Design Patent**
Hollinger

(10) **Patent No.:** **US D452,398 S**

(45) **Date of Patent:** **** Dec. 25, 2001**

(54) **PAPER TOWEL HOLDER**

(75) Inventor: **Fred Hollinger**, Kings Park, NY (US)

(73) Assignee: **K V and F Metal Products, Inc.**,
Edgewood, NY (US)

(**) Term: **14 Years**

(21) Appl. No.: **29/124,333**

(22) Filed: **Jun. 2, 2000**

(51) **LOC (7) Cl.** **23-02**

(52) **U.S. Cl.** **D6/522**

(58) **Field of Search** D6/518-523; 211/16,
211/181.1; 242/570, 590, 595, 597; 248/309.1,
309.2

(56) **References Cited**

U.S. PATENT DOCUMENTS

D. 286,720	*	11/1986	Minuti	D6/521
D. 390,054	*	2/1998	Goodman	D6/522
D. 395,567	*	6/1998	Hollinger	D6/522
D. 432,828	*	10/2000	Snell	D6/522

* cited by examiner

Primary Examiner—Brian N. Vinson

(74) *Attorney, Agent, or Firm*—Gerard F. Dunne

(57) **CLAIM**

I claim the ornamental design for a paper towel holder, as shown and described.

DESCRIPTION

FIG. 1 is a perspective view of a paper towel holder;
 FIG. 2 is a front elevational view thereof;
 FIG. 3 is a left side elevational view thereof;
 FIG. 4 is a right side elevational view thereof;
 FIG. 5 is a top plan view thereof;
 FIG. 6 is a bottom plan view thereof;
 FIG. 7 is a perspective view of a second embodiment of a paper towel holder;
 FIG. 8 is a front elevational view thereof;
 FIG. 9 is a left side elevational view thereof;
 FIG. 10 is a right side elevational view thereof;
 FIG. 11 is a top plan view thereof; and,
 FIG. 12 is a bottom plan view.

1 Claim, 10 Drawing Sheets

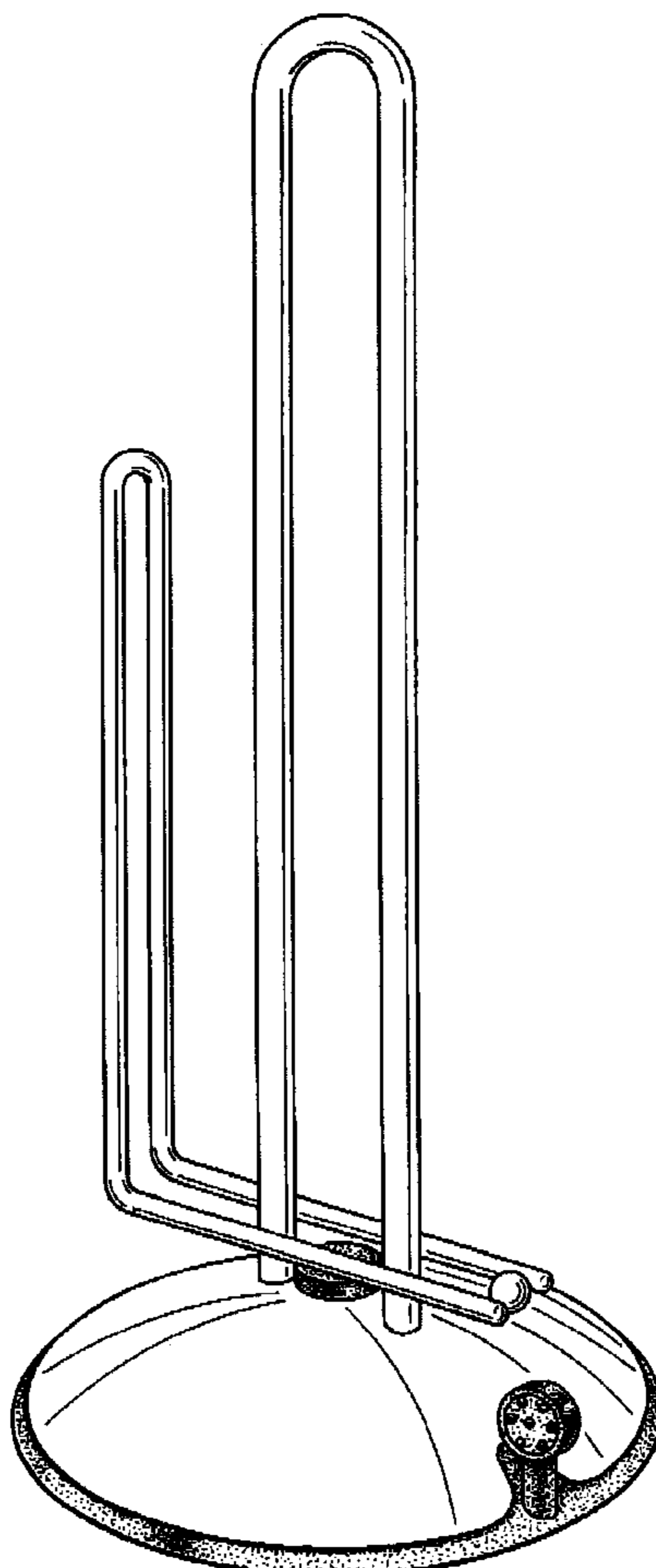


FIG. 1

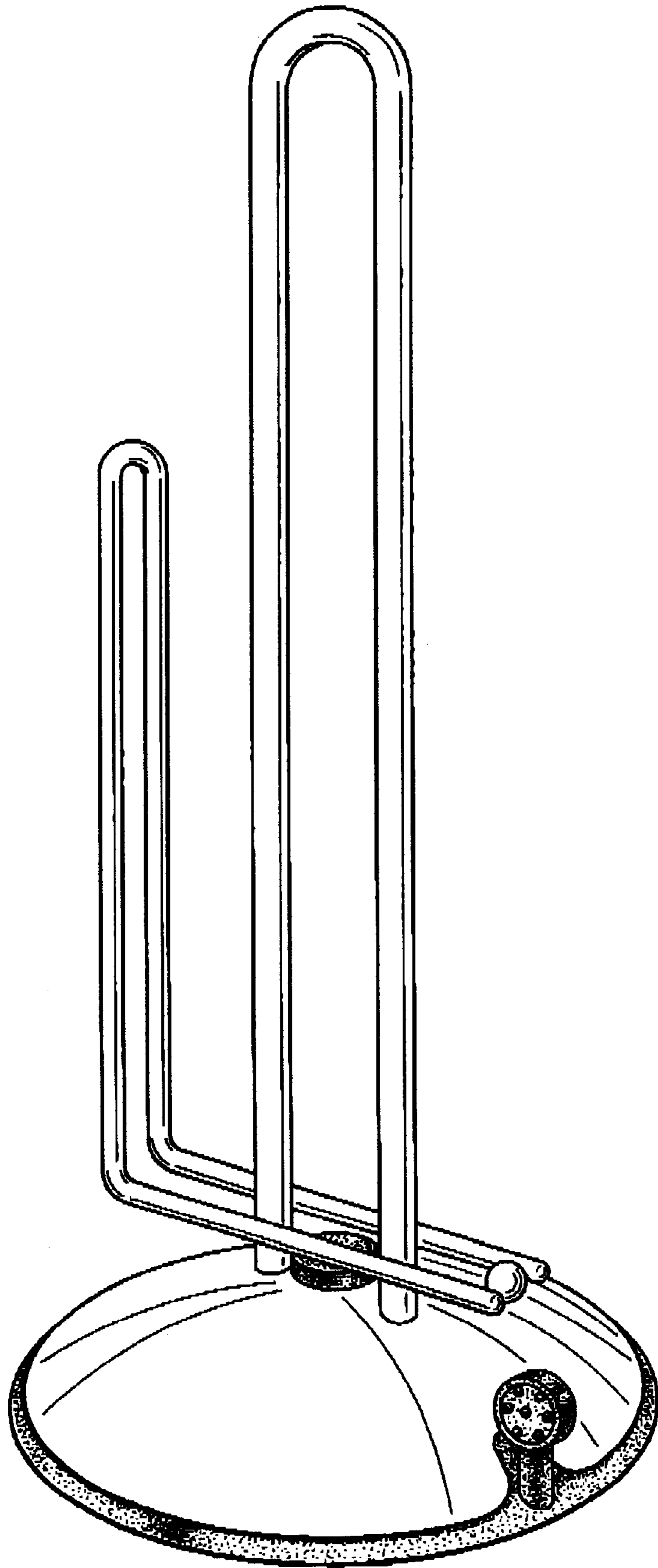


FIG. 2

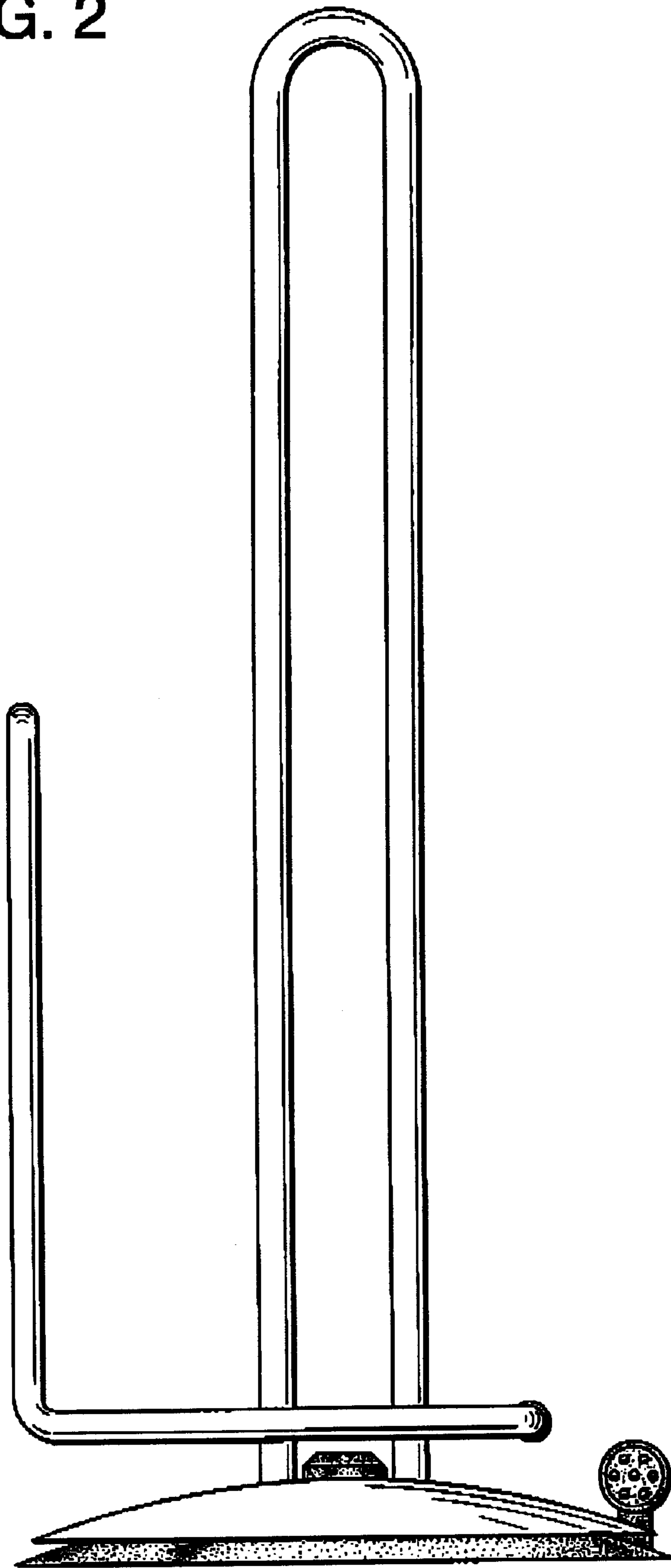


FIG. 3

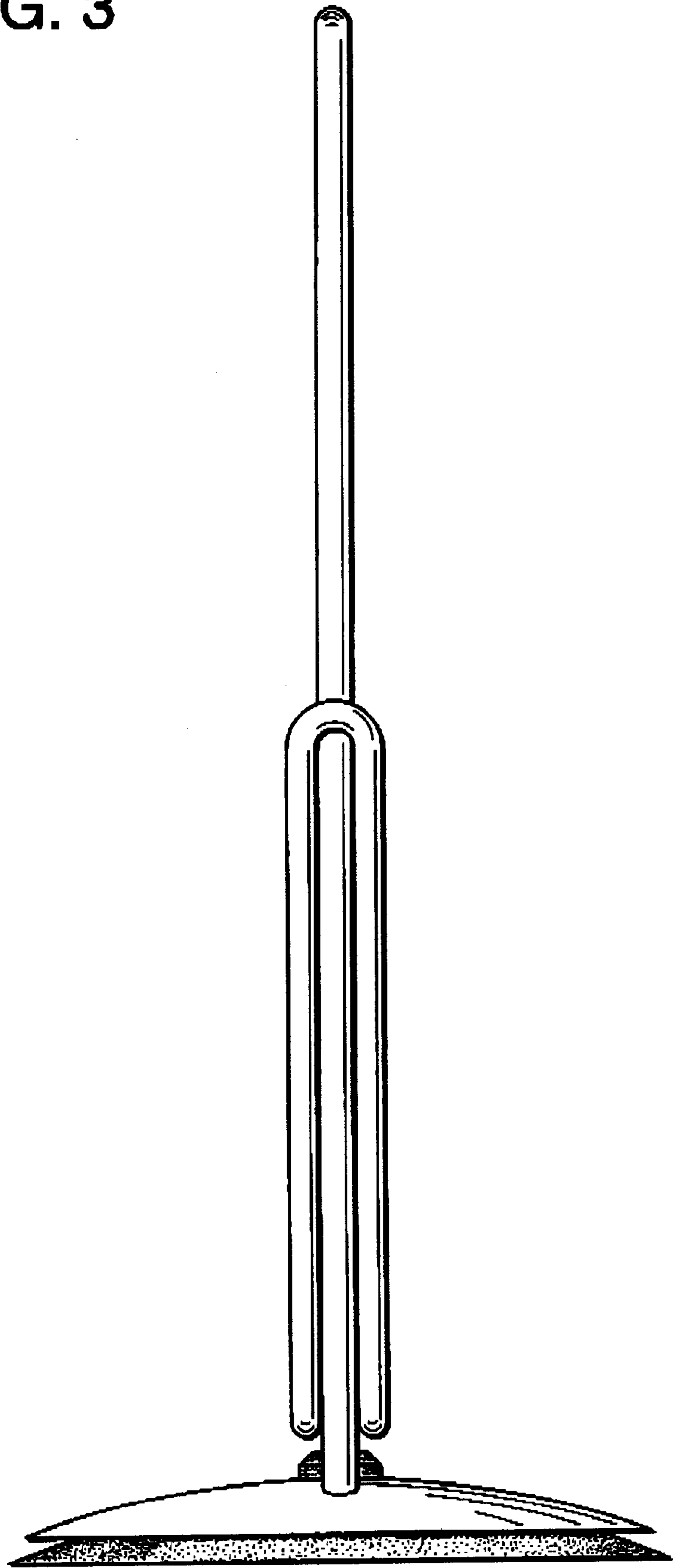


FIG. 4

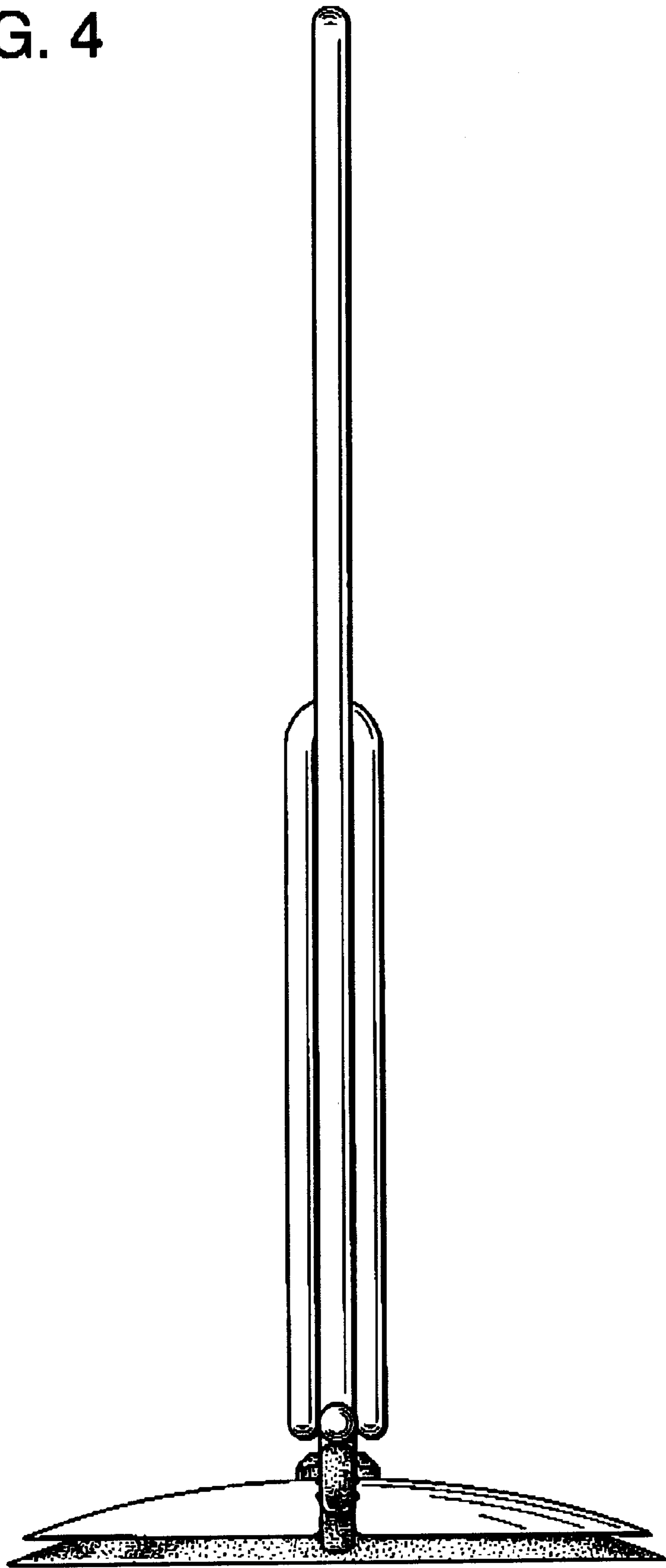


FIG. 5

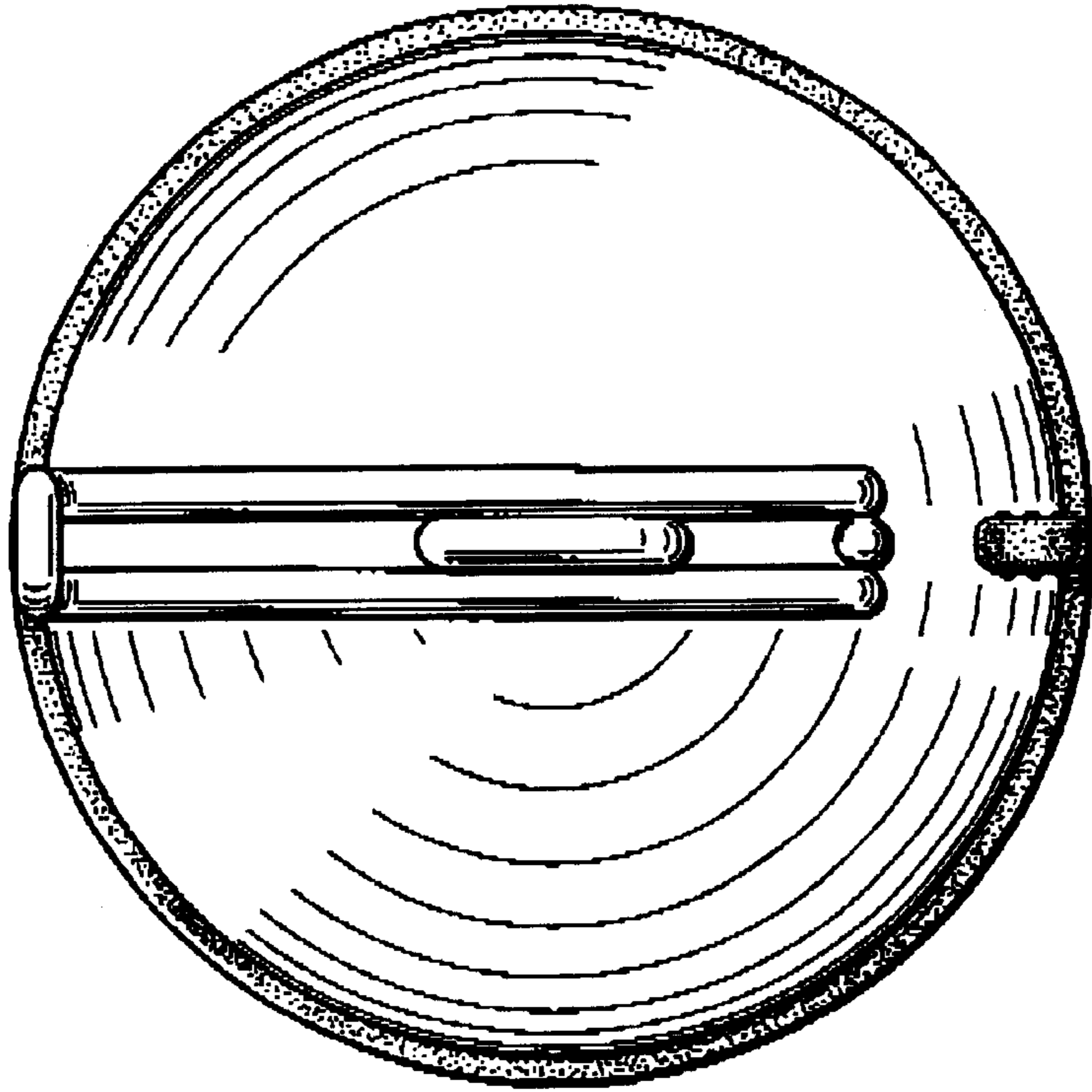


FIG. 6

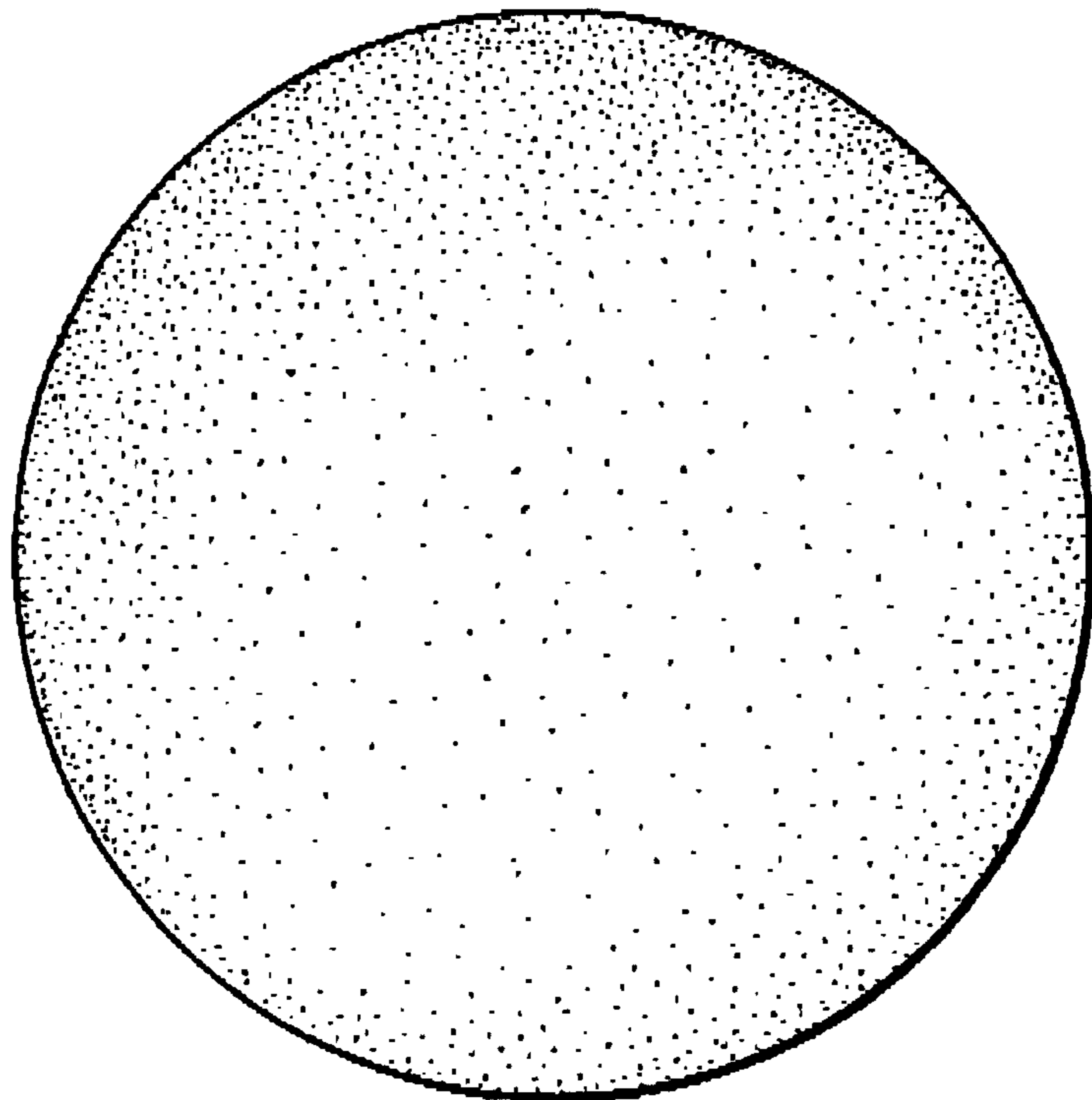


FIG. 7

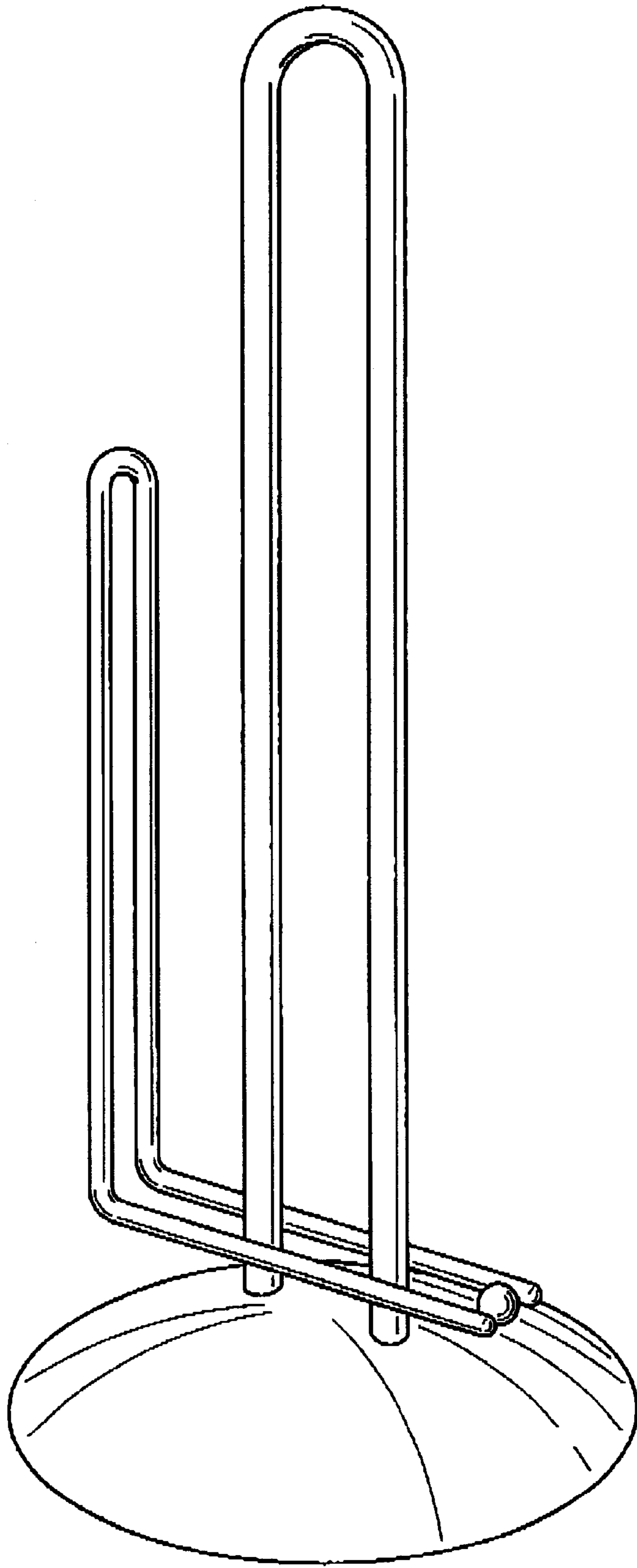


FIG. 8

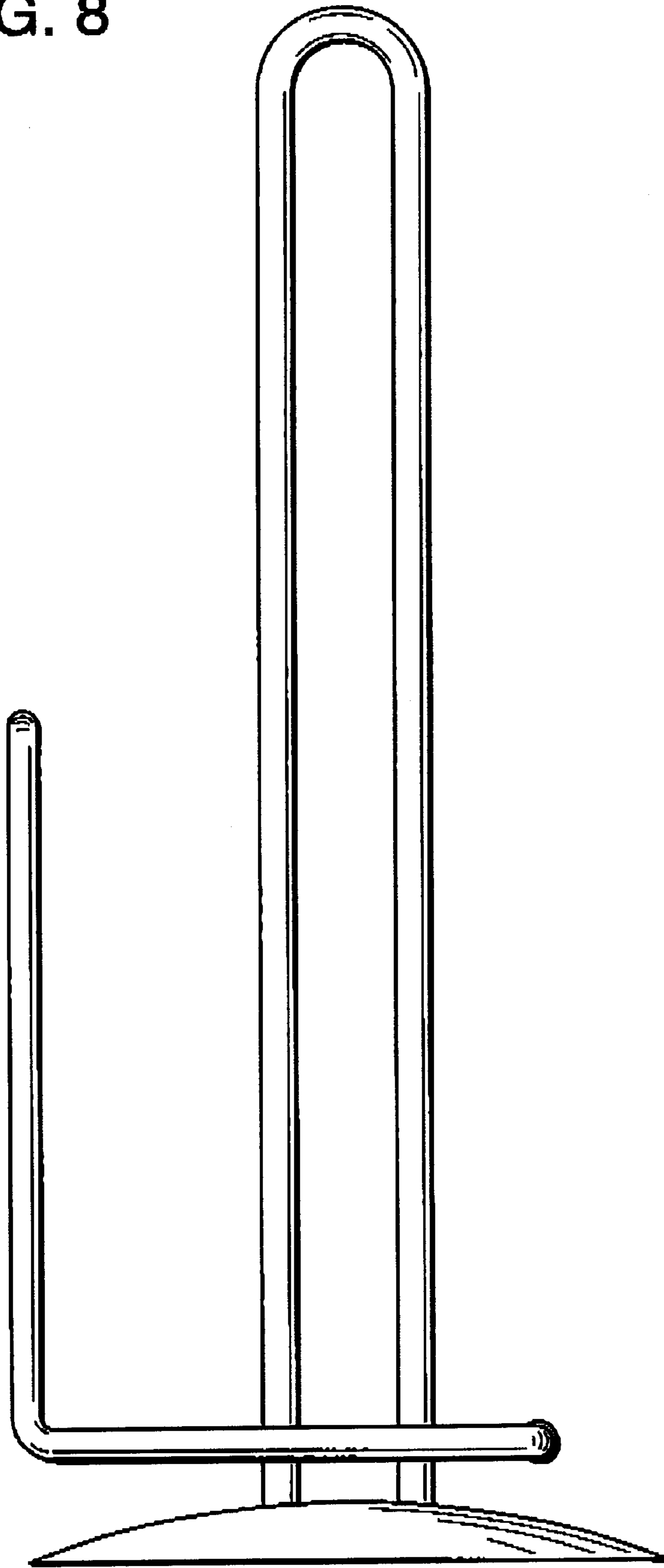


FIG. 9

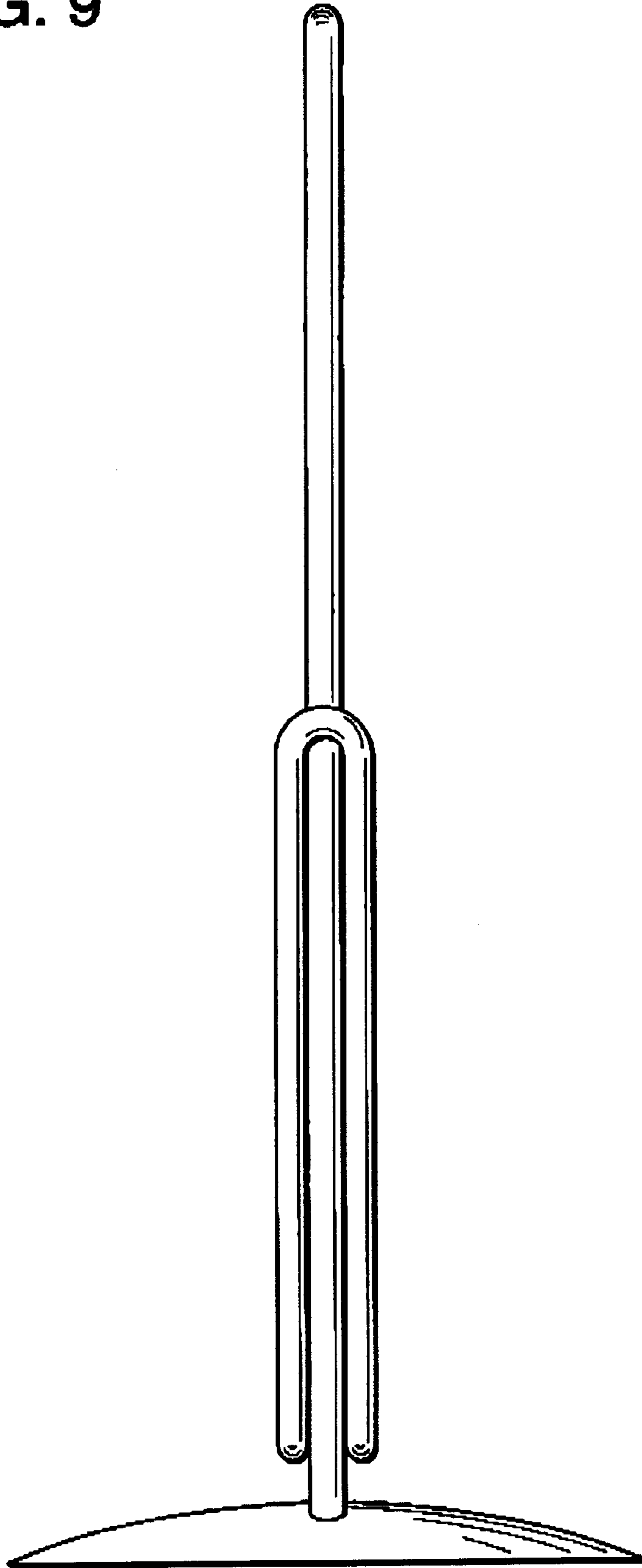


FIG. 10

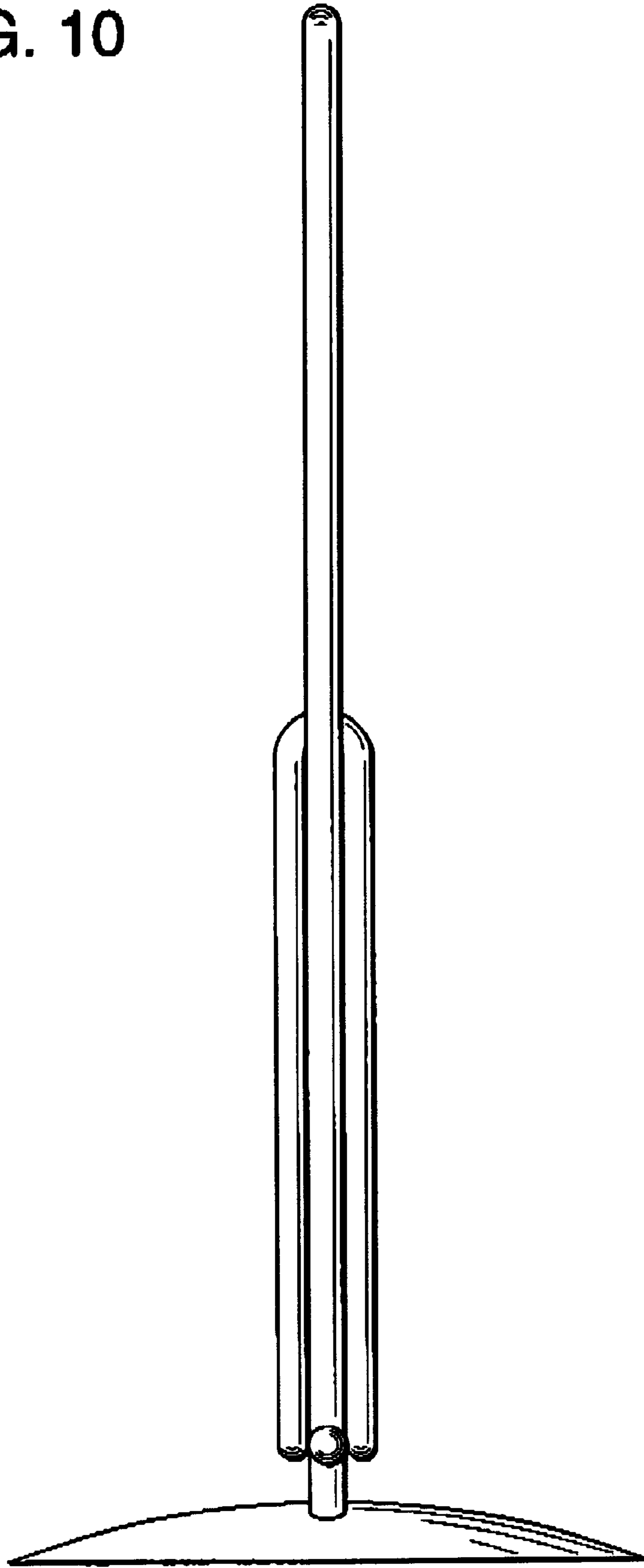


FIG. 11

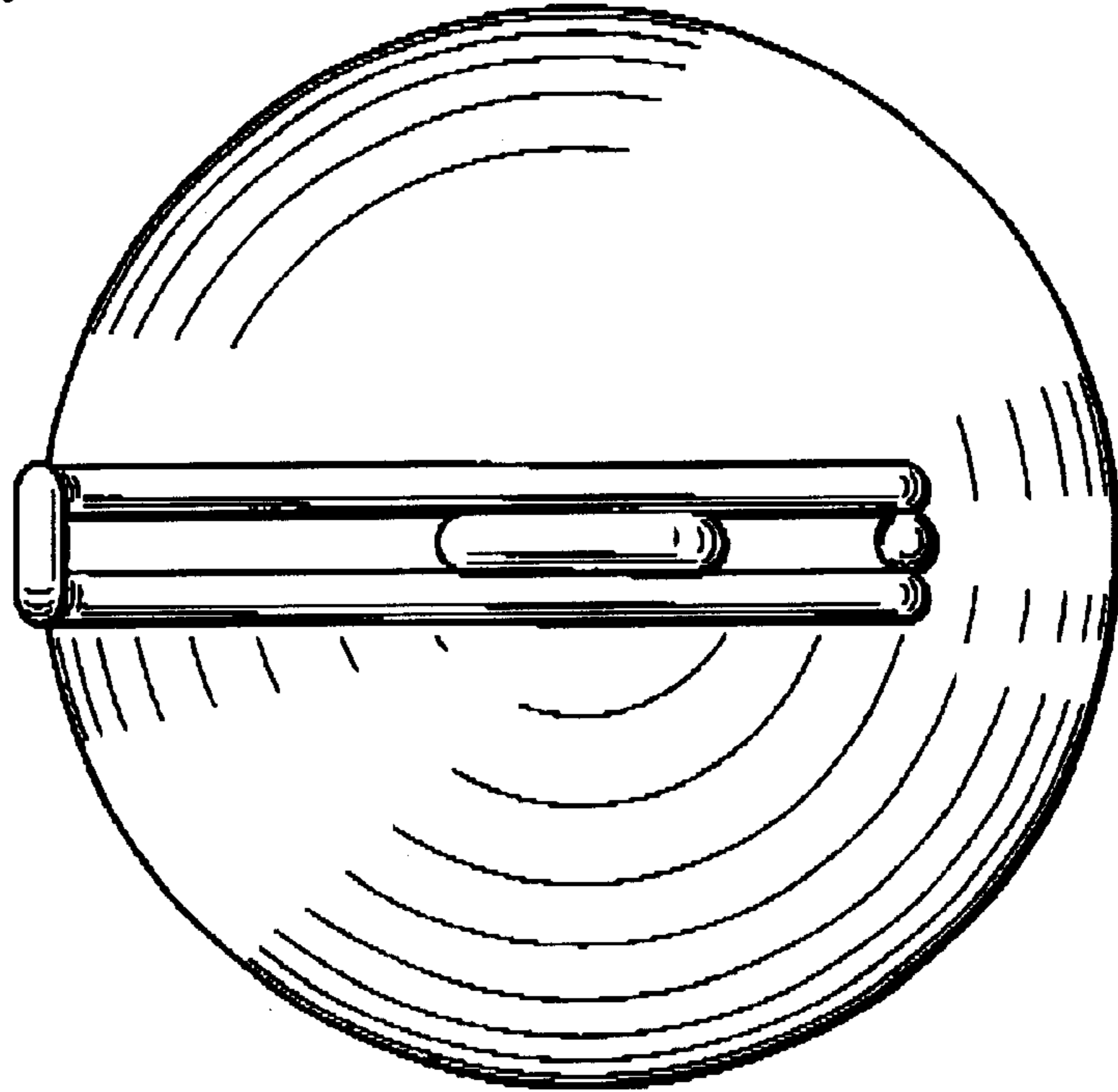


FIG. 12

