



US00D452394B1

(12) **United States Design Patent**
Walters-Dowding et al.

(10) **Patent No.: US D452,394 S**

(45) **Date of Patent: ** Dec. 25, 2001**

(54) **ORGANIZER RACK**

(75) Inventors: **Andrea Walters-Dowding**, Dresden;
Lynn Lippert, Newark, both of OH
(US); **Russell Gilbert; Durward**
Staten, both of Mountain View, AR
(US)

(73) Assignee: **The Longaberger Company**, Newark,
OH (US)

(**) Term: **14 Years**

(21) Appl. No.: **29/123,935**

(22) Filed: **May 26, 2000**

Related U.S. Application Data

(63) Continuation-in-part of application No. 29/101,973, filed on Mar. 10, 1999, which is a continuation-in-part of application No. 29/084,102, filed on Feb. 24, 1998, now Pat. No. Des. 423,820, which is a continuation-in-part of application No. 29/075,904, filed on Jul. 28, 1997, now Pat. No. Des. 397,898, which is a continuation-in-part of application No. 29/069,526, filed on Apr. 24, 1997, now Pat. No. Des. 397,563, which is a continuation-in-part of application No. 29/068,271, filed on Mar. 24, 1997, now Pat. No. Des. 415,366.

(51) **LOC (7) Cl. 06-04**

(52) **U.S. Cl. D6/464**

(58) **Field of Search** D6/403-405, 462-465,
D6/474; 211/134, 181.1, 126.2, 133.2, 132.1;
108/76, 92, 93, 149; 248/153

(56) **References Cited**

U.S. PATENT DOCUMENTS

D. 122,462	*	9/1940	Griffin	D4/464
D. 314,103	*	1/1991	Yau Kee	D6/474
D. 319,356	*	8/1991	Vukelich, Sr.	D6/405
D. 331,846	*	12/1992	Yau Kee	D6/465
719,060	*	1/1903	Thomas	108/76
3,176,848	*	4/1965	Stefan	211/126.2
5,833,084	*	11/1998	Chang	211/187

* cited by examiner

Primary Examiner—Prabhakar Deshmukh

(74) *Attorney, Agent, or Firm*—Porter, Wright, Morris, & Arthur LLP

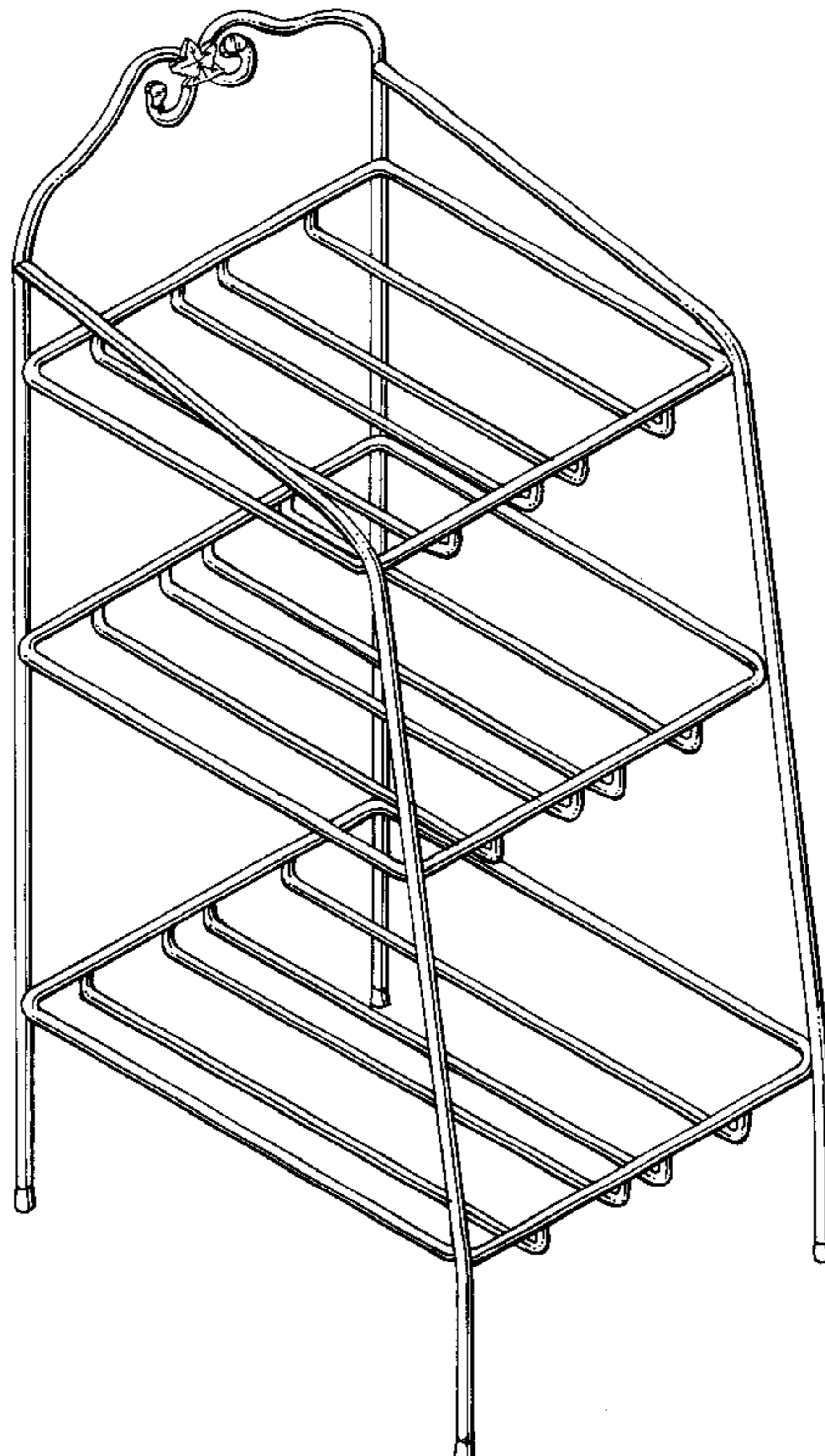
(57) **CLAIM**

The ornamental design for organizer rack, as shown and described.

DESCRIPTION

FIG. 1 is a perspective view of the organizer rack showing our new design;
FIG. 2 is a top view thereof;
FIG. 3 is a bottom view thereof;
FIG. 4 is a front view thereof;
FIG. 5 is a right side view thereof, the left side being a mirror image thereof; and,
FIG. 6 is a rear view thereof.

1 Claim, 4 Drawing Sheets



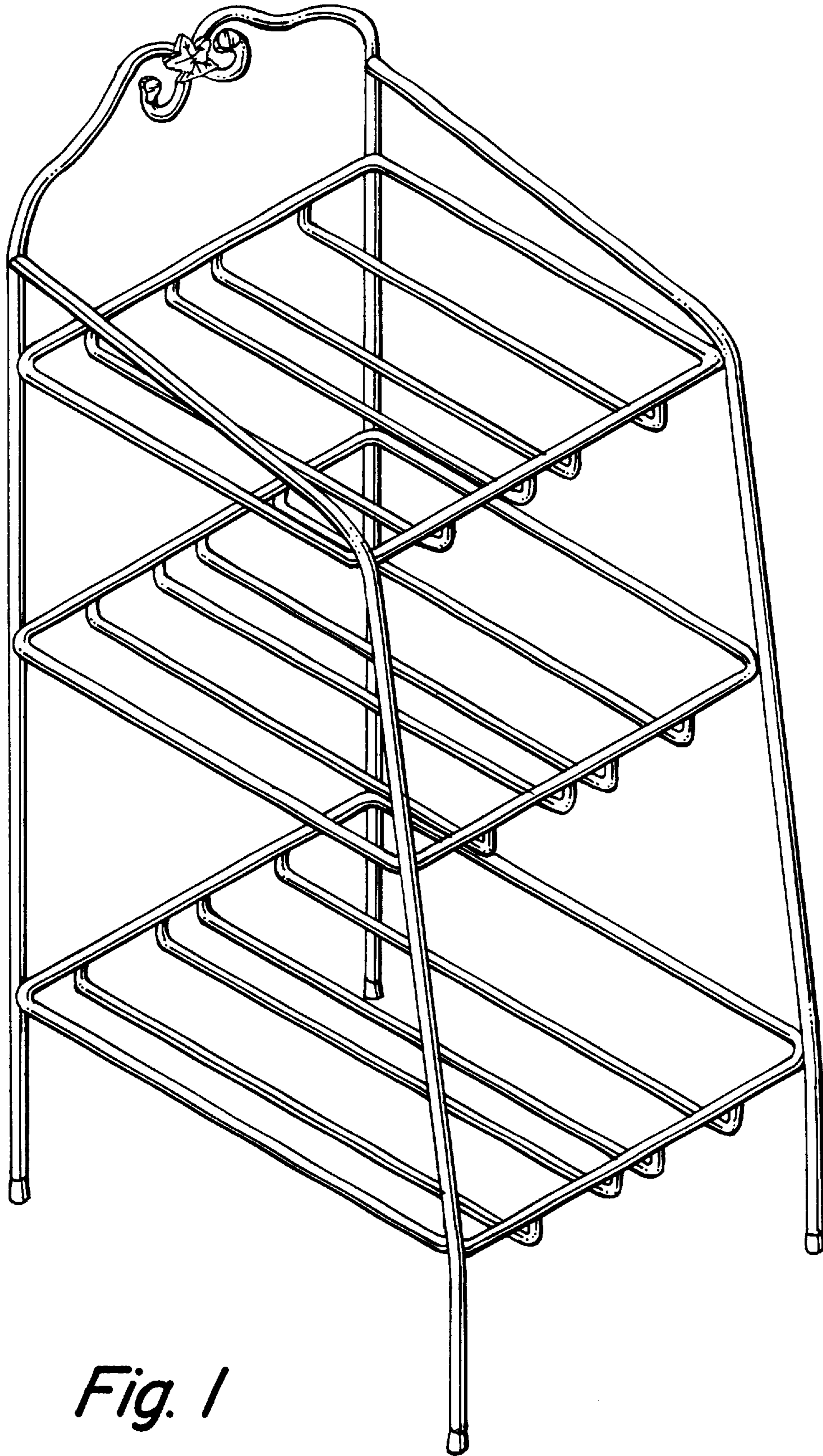


Fig. 1

Fig. 2

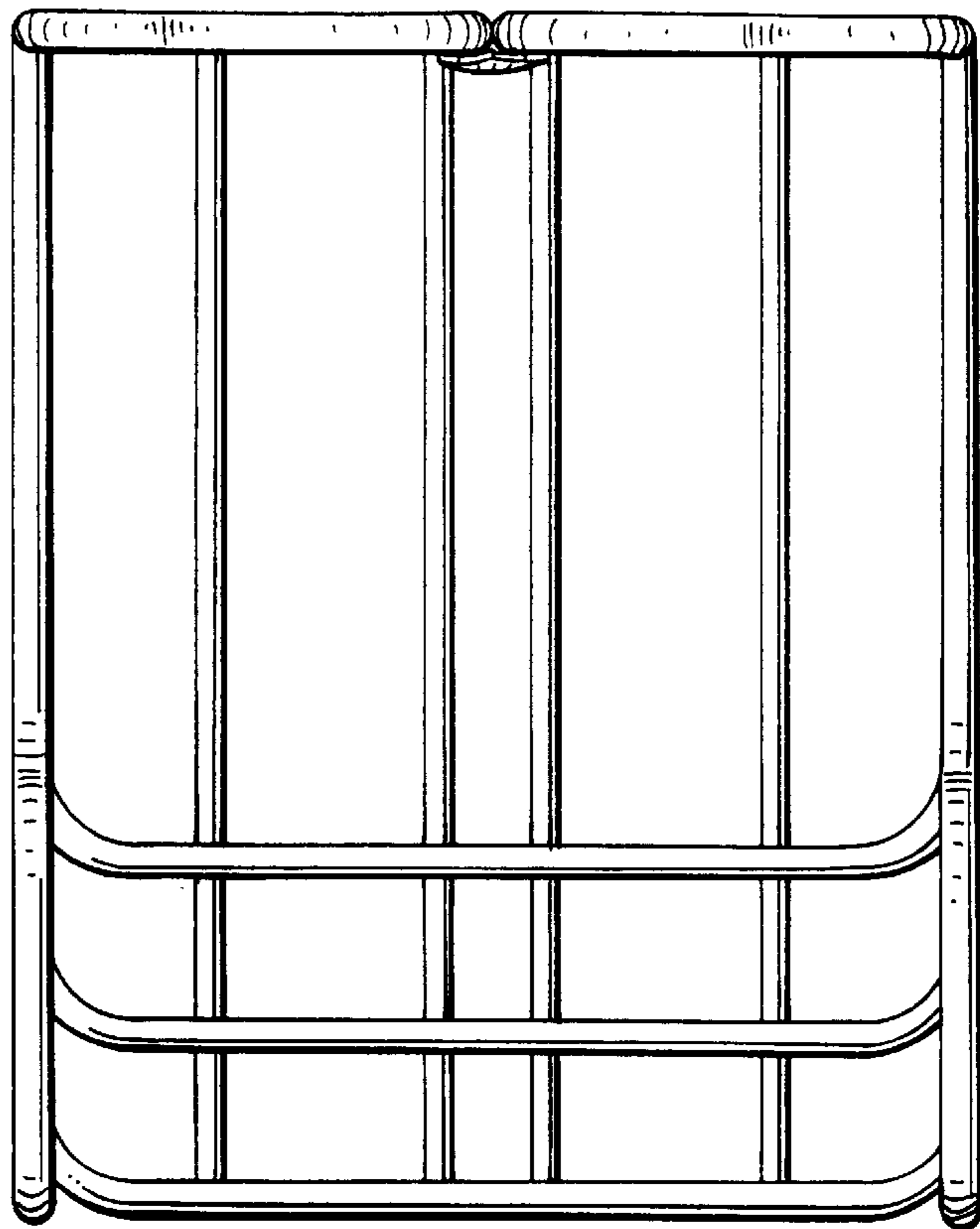
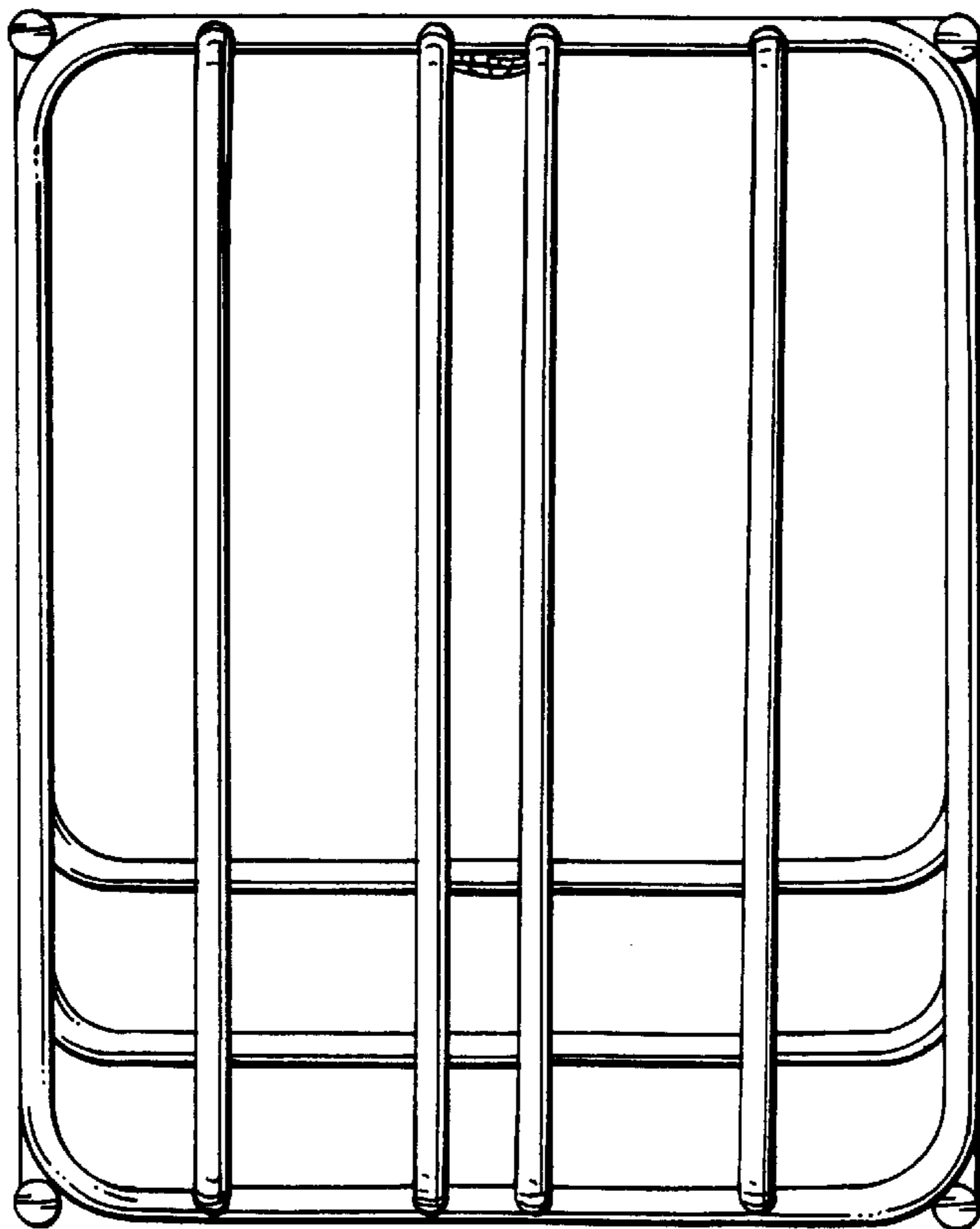


Fig. 3



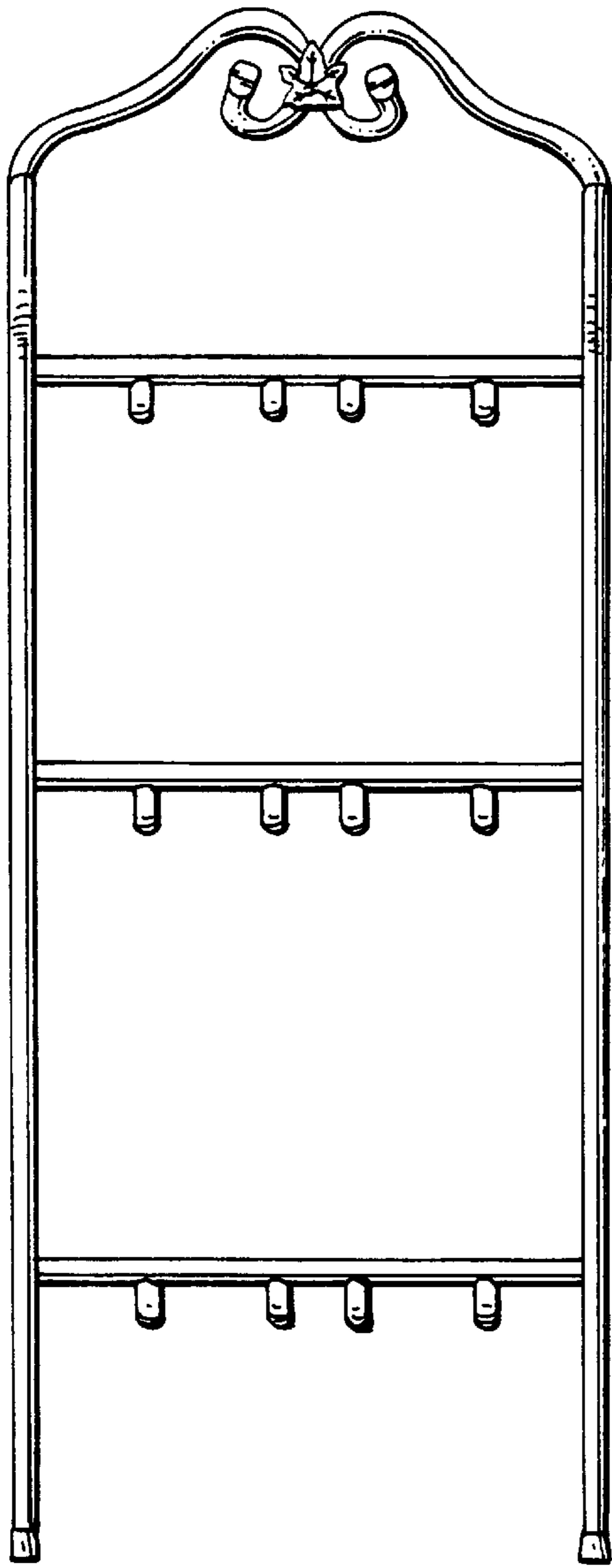


Fig. 4

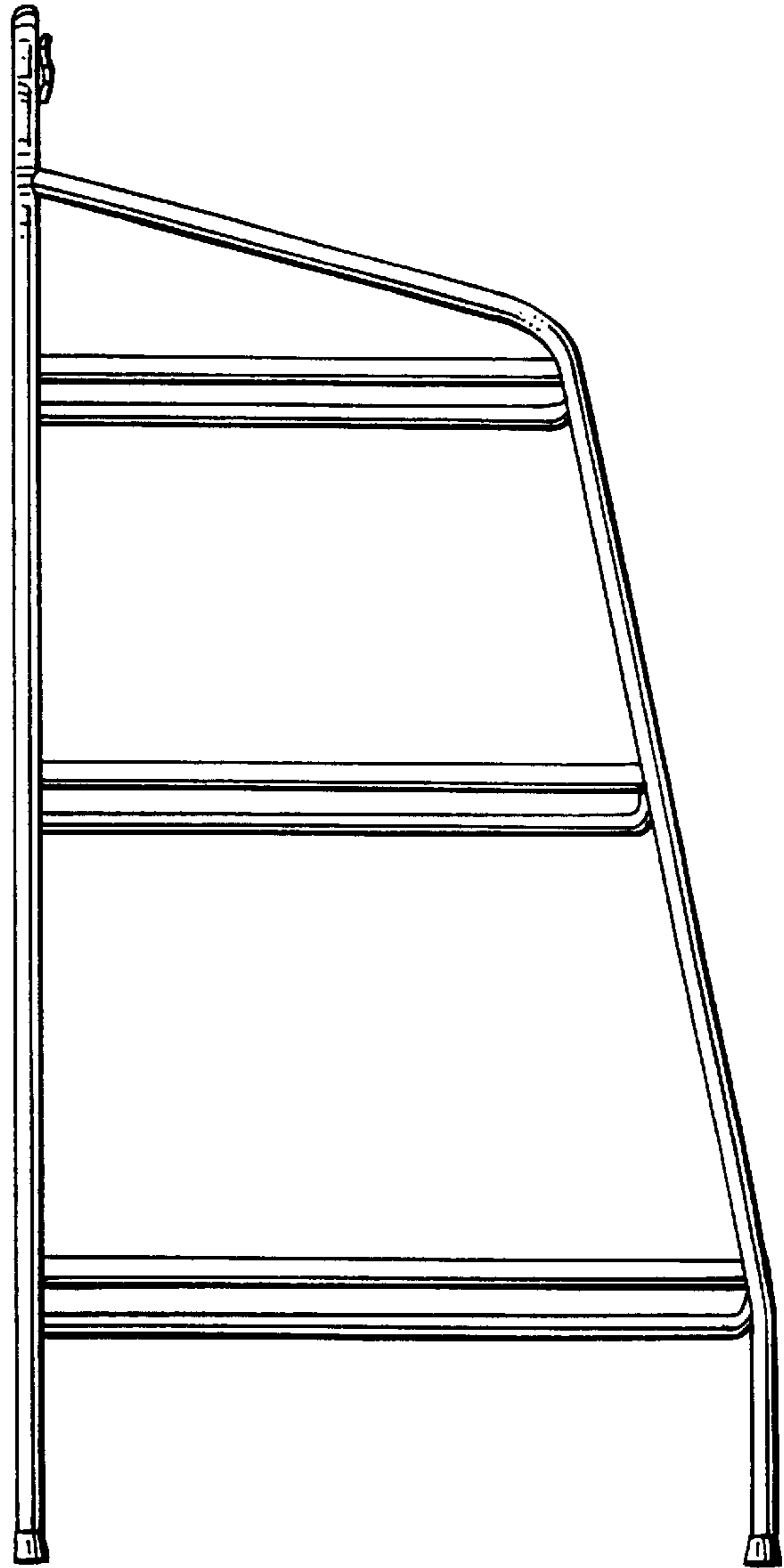


Fig. 5

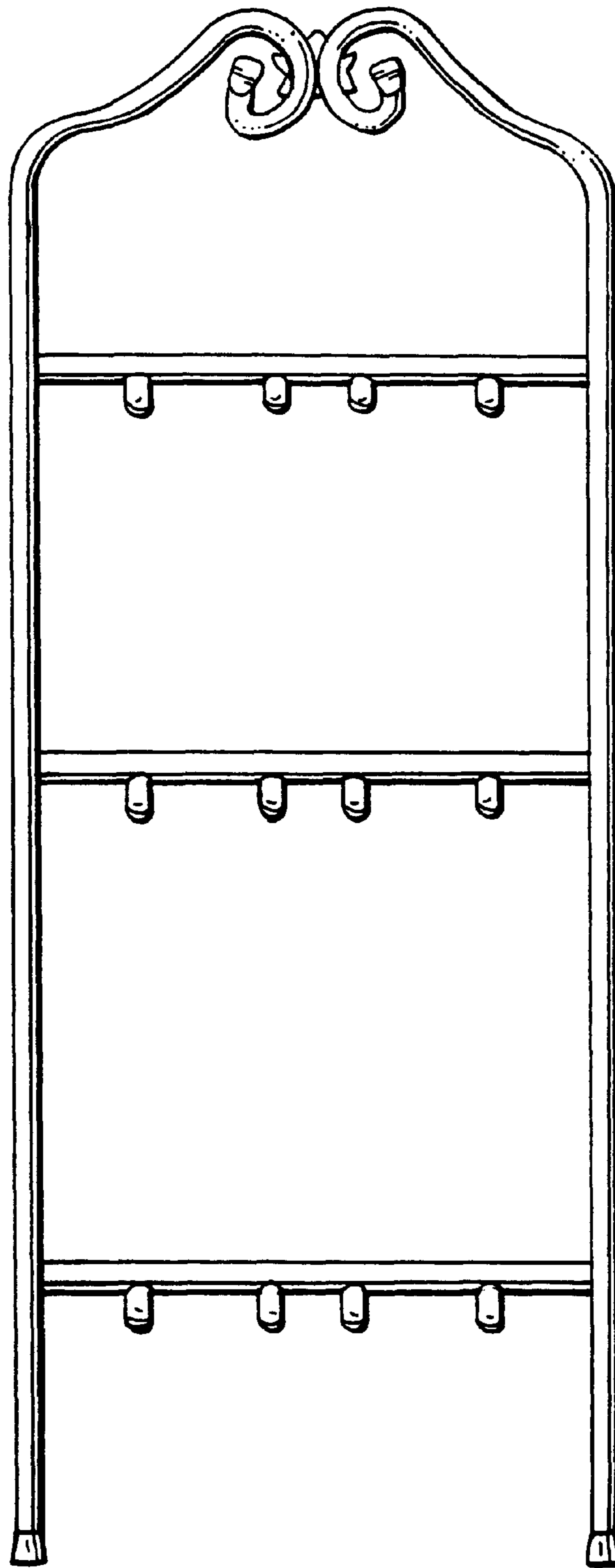


Fig. 6