



US00D452391B1

(12) **United States Design Patent**
Efron et al.

(10) **Patent No.:** **US D452,391 S**

(45) **Date of Patent:** **** Dec. 25, 2001**

(54) **CABINET FOR USE IN AN AUDIO PRODUCTION, SATELLITE UPLINK AND RADIO BROADCAST STUDIO**

D. 275,284 * 8/1984 Wells et al. D14/104
D. 287,510 * 12/1986 Nishida D18/34
D. 445,277 * 7/2001 Petri D6/422
6,158,831 * 12/2000 Brown et al. 312/258

(75) Inventors: **Edward Efron**, 10550 Habersham Ct., Las Vegas, NV (US) 89123; **Gene Harris, Jr.**, Las Vegas, NV (US)

* cited by examiner

Primary Examiner—Janice E. Seeger
(74) *Attorney, Agent, or Firm*—Roy A. Ekstrand

(73) Assignee: **Edward Efron**, Las Vegas, NV (US)

(**) Term: **14 Years**

(57) **CLAIM**

The ornamental design for a cabinet for use in an audio production, satellite uplink and radio broadcast studio, as shown and described.

(21) Appl. No.: **29/133,013**

(22) Filed: **Nov. 20, 2000**

DESCRIPTION

(51) **LOC (7) Cl.** **06-04**

(52) **U.S. Cl.** **D6/422; D14/305; D6/427**

(58) **Field of Search** D6/422–428; 312/194–196,
312/208.1, 198, 199, 203; 108/50.01, 50.02;
D14/302, 304, 305

FIG. 1 sets forth a perspective view of a cabinet for use in an audio production, satellite uplink and radio broadcast studio showing the present invention new design; FIG. 2 is a left side view thereof; FIG. 3 is a front view thereof; FIG. 4 is a rear view thereof; FIG. 5 is a top view thereof; and, FIG. 6 is a right side view thereof.

(56) **References Cited**

U.S. PATENT DOCUMENTS

D. 134,298 * 11/1942 Eppenstein 312/194
D. 209,448 * 12/1967 McCormick et al. D14/305

1 Claim, 3 Drawing Sheets

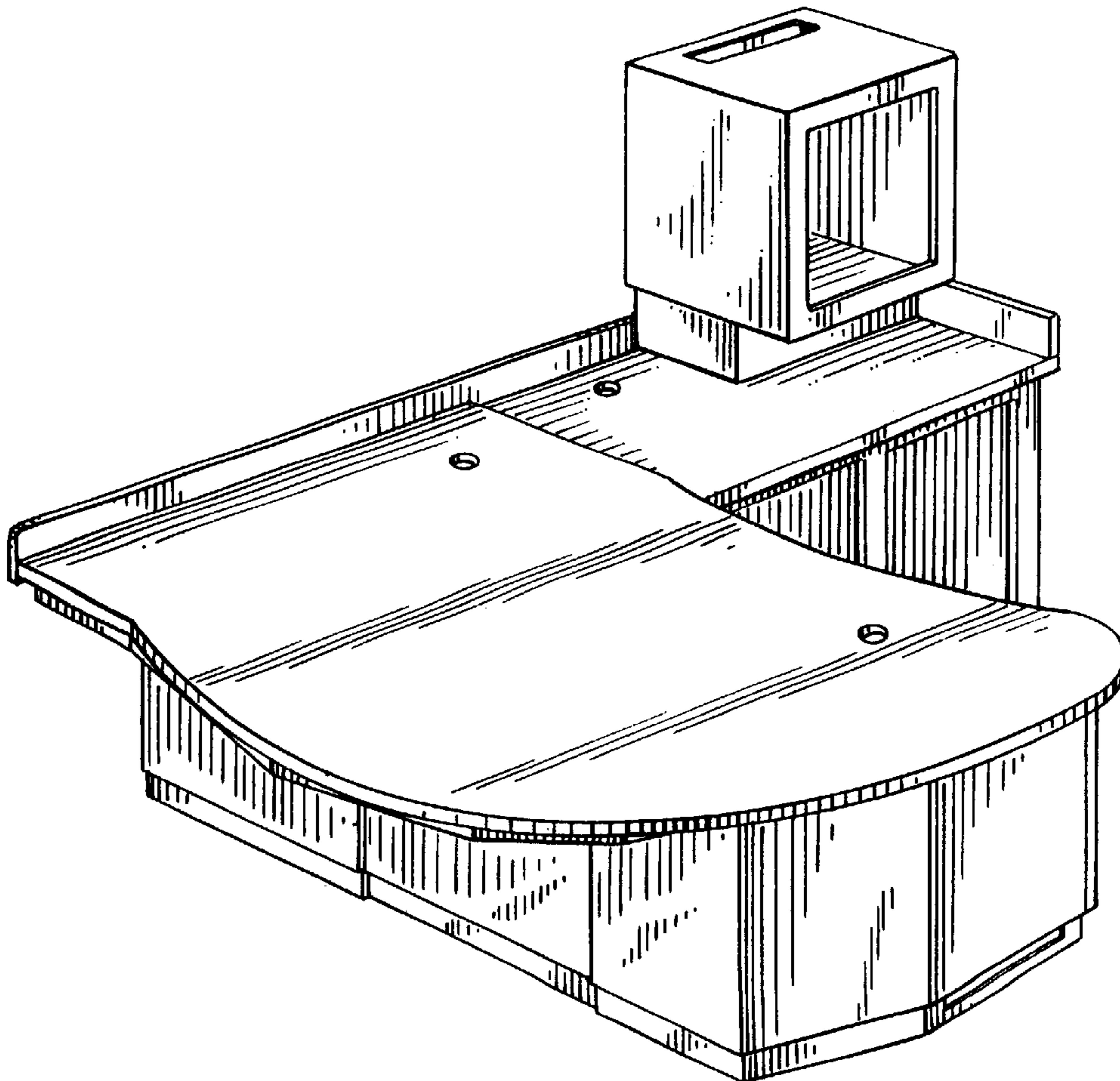


FIG. 2

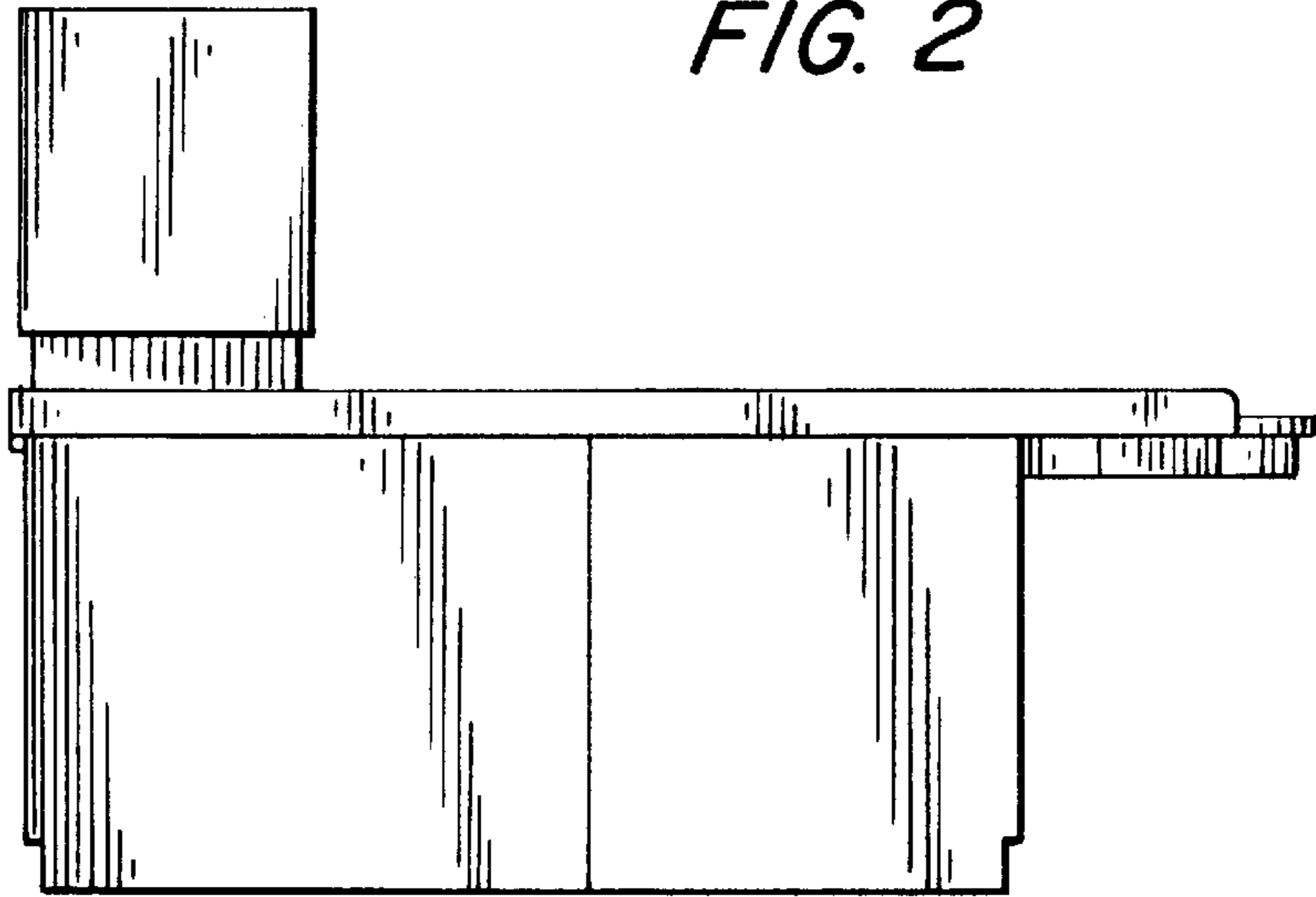


FIG. 1

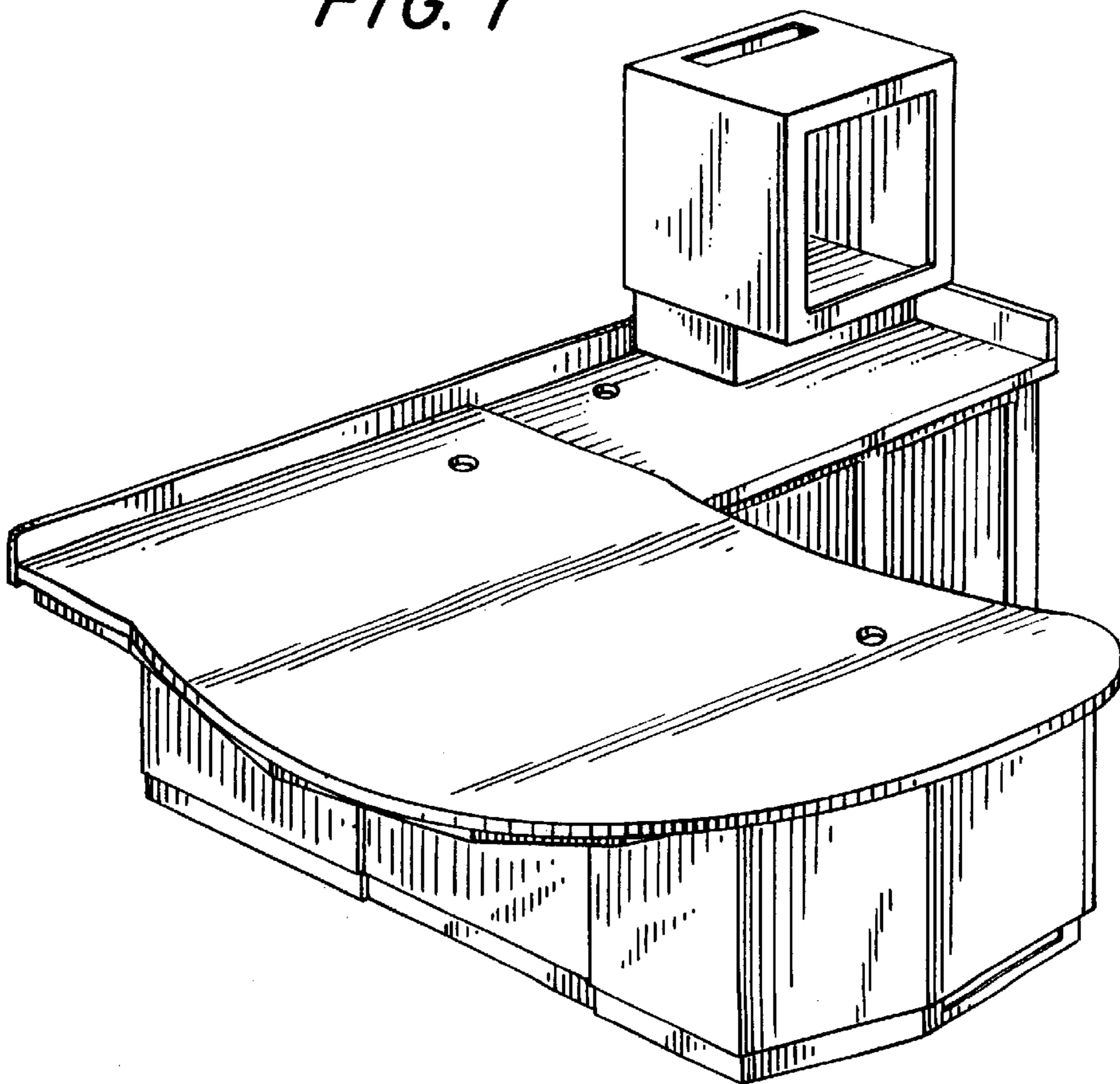


FIG. 3

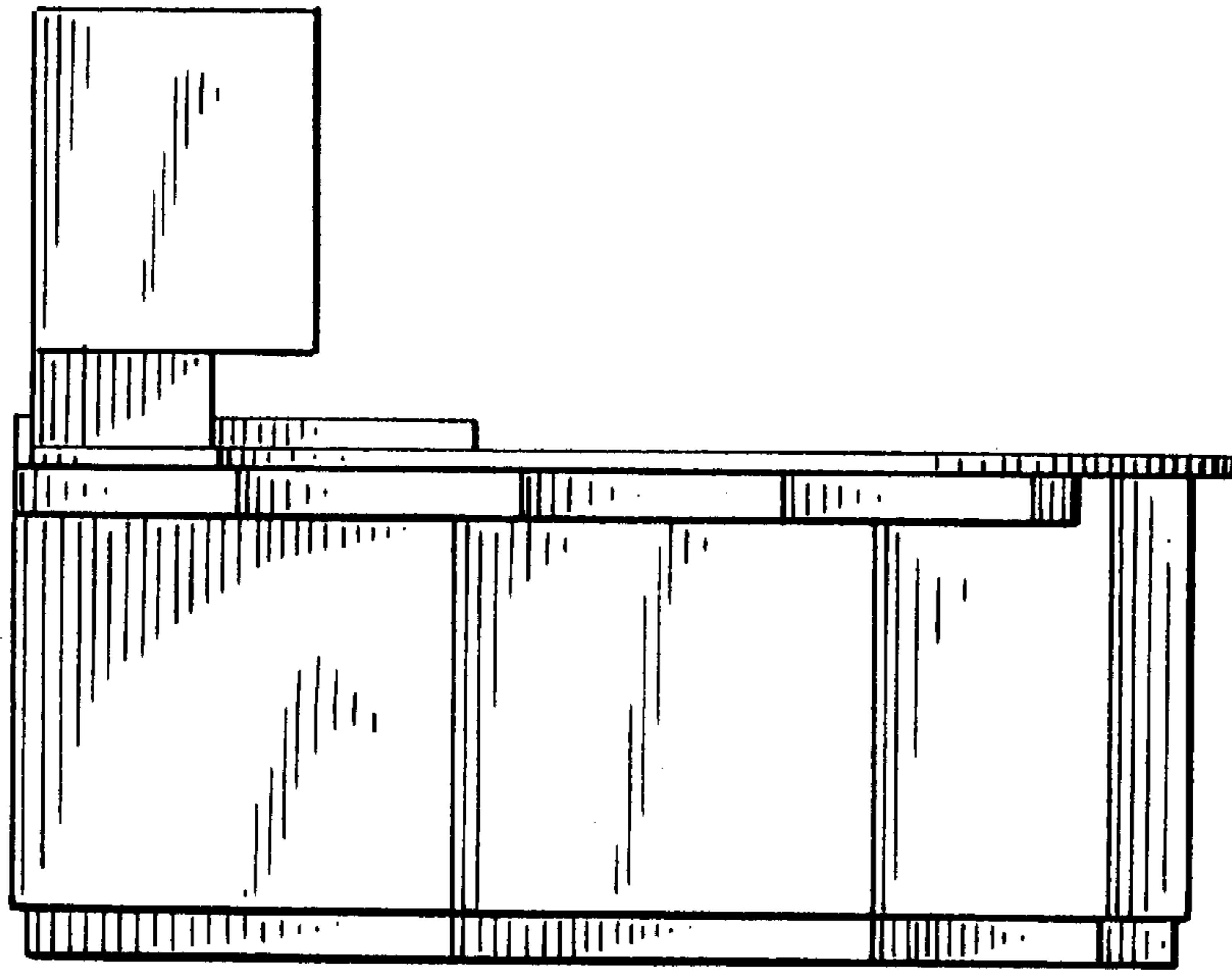


FIG. 4

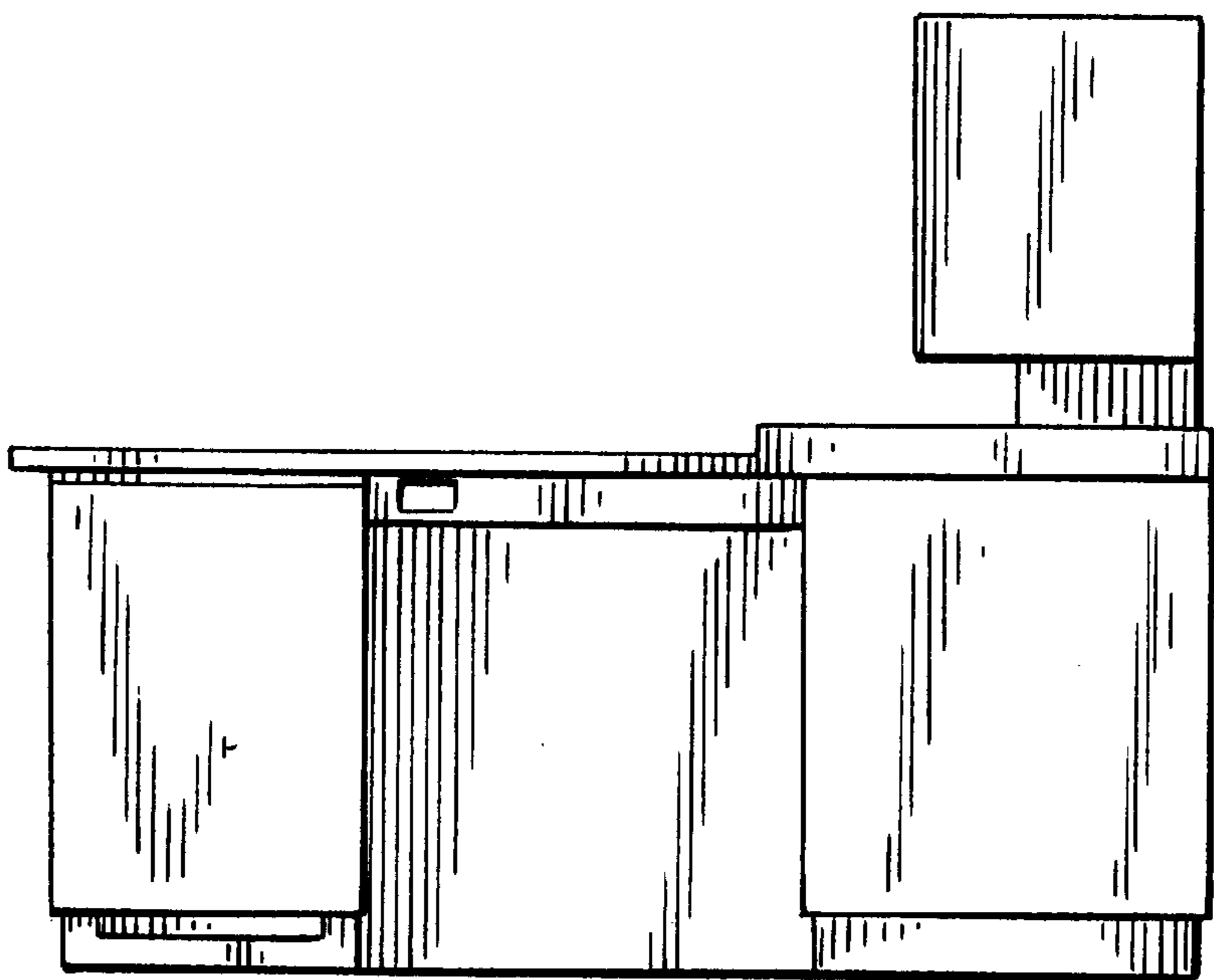


FIG. 5

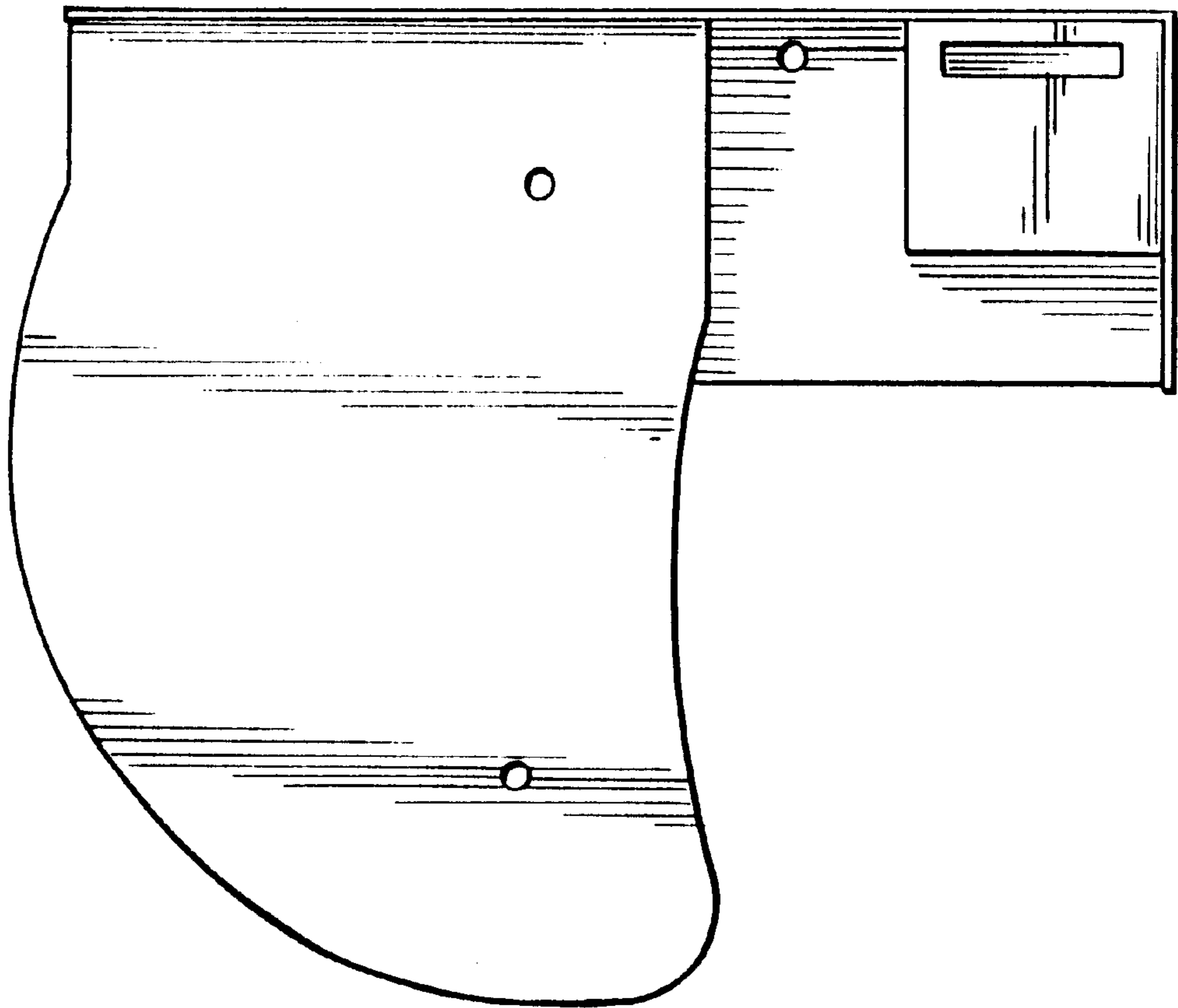


FIG. 6

