



US00D452378B1

(12) **United States Design Patent**  
**Chen**

(10) **Patent No.:** **US D452,378 S**

(45) **Date of Patent:** **\*\* Dec. 25, 2001**

(54) **HANGER SUPPORT FOR SUITCASE**

5,944,178 \* 8/1999 Mao ..... 206/289

(76) Inventor: **Wei Chih Chen**, No. 59, Herng Jun Street, Da Gia Town, Taichung Hsien (TW), 437

\* cited by examiner

*Primary Examiner*—Philip S. Hyder  
(74) *Attorney, Agent, or Firm*—Charles E. Baxley

(\*\*) Term: **14 Years**

(57) **CLAIM**

(21) Appl. No.: **29/132,884**

The ornamental design for a hanger support for a suitcase, as shown and described.

(22) Filed: **Nov. 17, 2000**

**DESCRIPTION**

(51) **LOC (7) Cl.** ..... **03-01**

(52) **U.S. Cl.** ..... **D3/318; D3/328**

(58) **Field of Search** ..... D3/1, 318, 328, D3/278, 279; D8/395, 367; 248/316.1; 206/288, 289

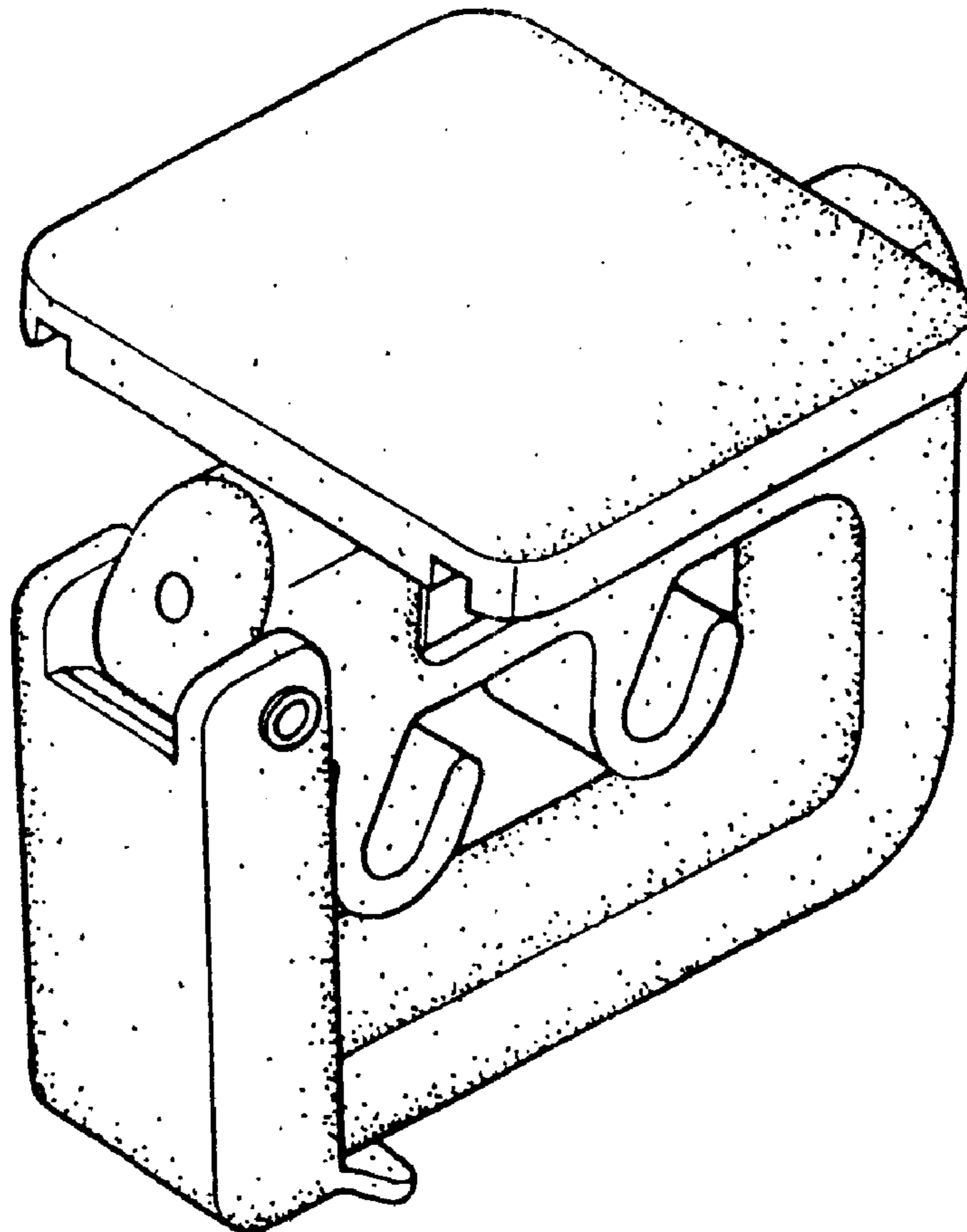
FIG. 1 is a perspective view of a hanger support for a suitcase showing my new design;  
FIG. 2 is a front elevational view thereof, the opposite end being identical in appearance  
FIG. 3 is a top plan view thereof;  
FIG. 4 is a bottom plan view thereof;  
FIG. 5 is a left side elevational view thereof;  
FIG. 6 is a right side elevational view thereof; and,  
FIG. 7 is a perspective view thereof, the suitcase and the hanger depicted by means of broken lines being for illustrative purposes only and forming no part of the claimed design.

(56) **References Cited**

**U.S. PATENT DOCUMENTS**

4,798,289	*	1/1989	Mobley	.....	206/287
4,850,562	*	7/1989	Mazzanti	.....	248/316.1
4,852,845	*	8/1989	Lener	.....	248/316.1
4,907,774	*	3/1990	Shaw et al.	.....	248/306
5,180,057	*	1/1993	Franklin	.....	206/279
5,400,900	*	3/1995	Myers et al.	.....	206/289

**1 Claim, 3 Drawing Sheets**



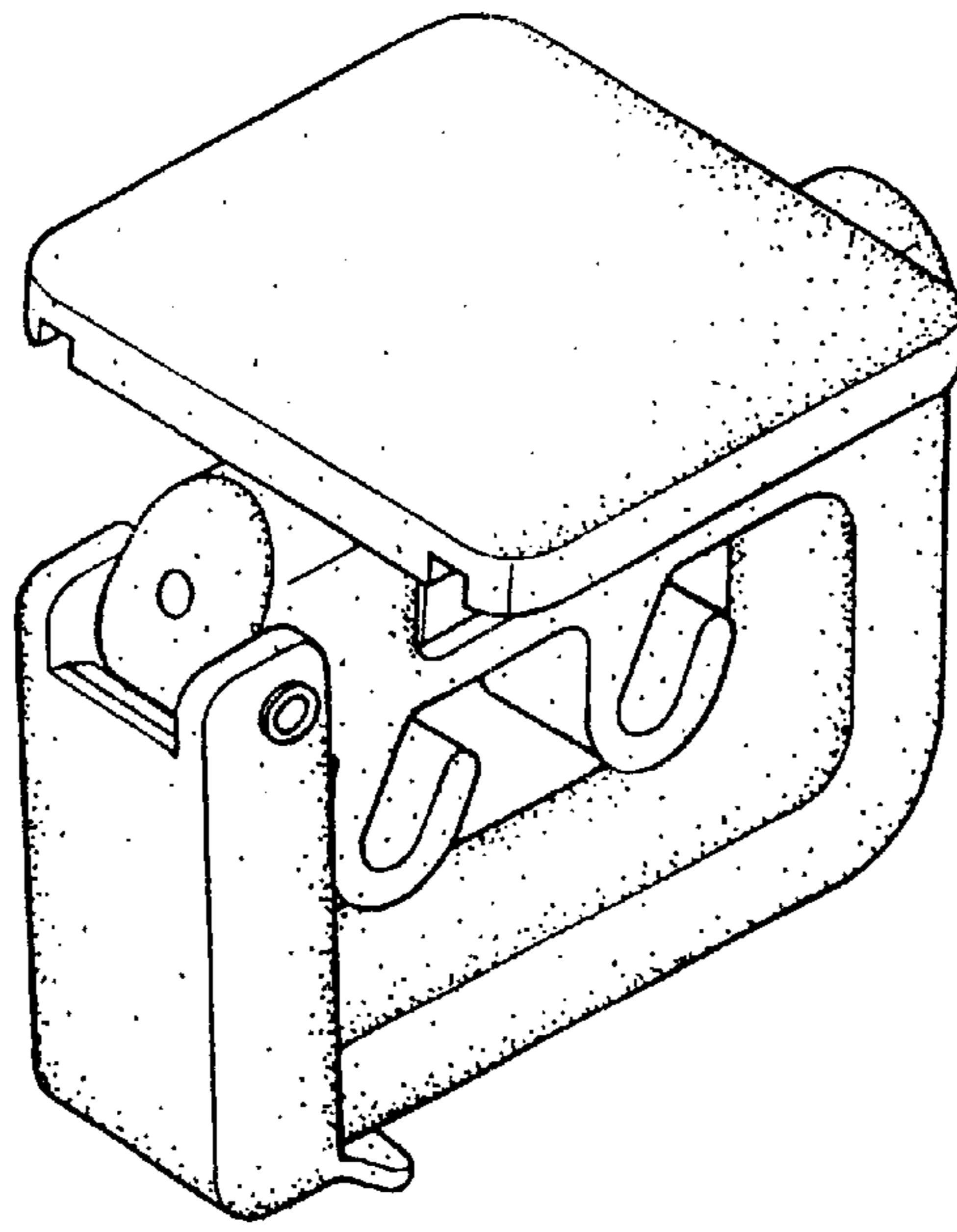


FIG. 1

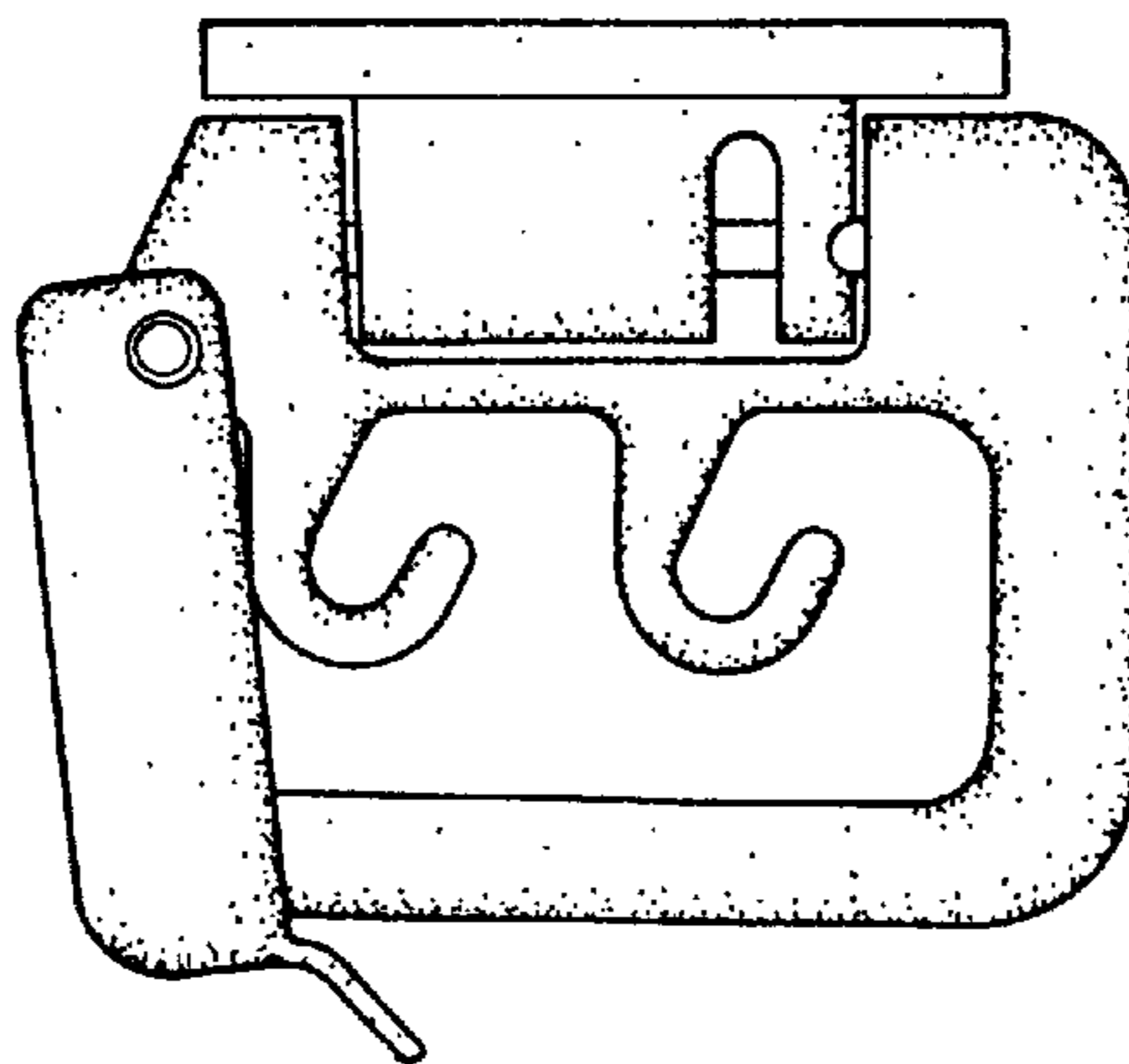


FIG. 2

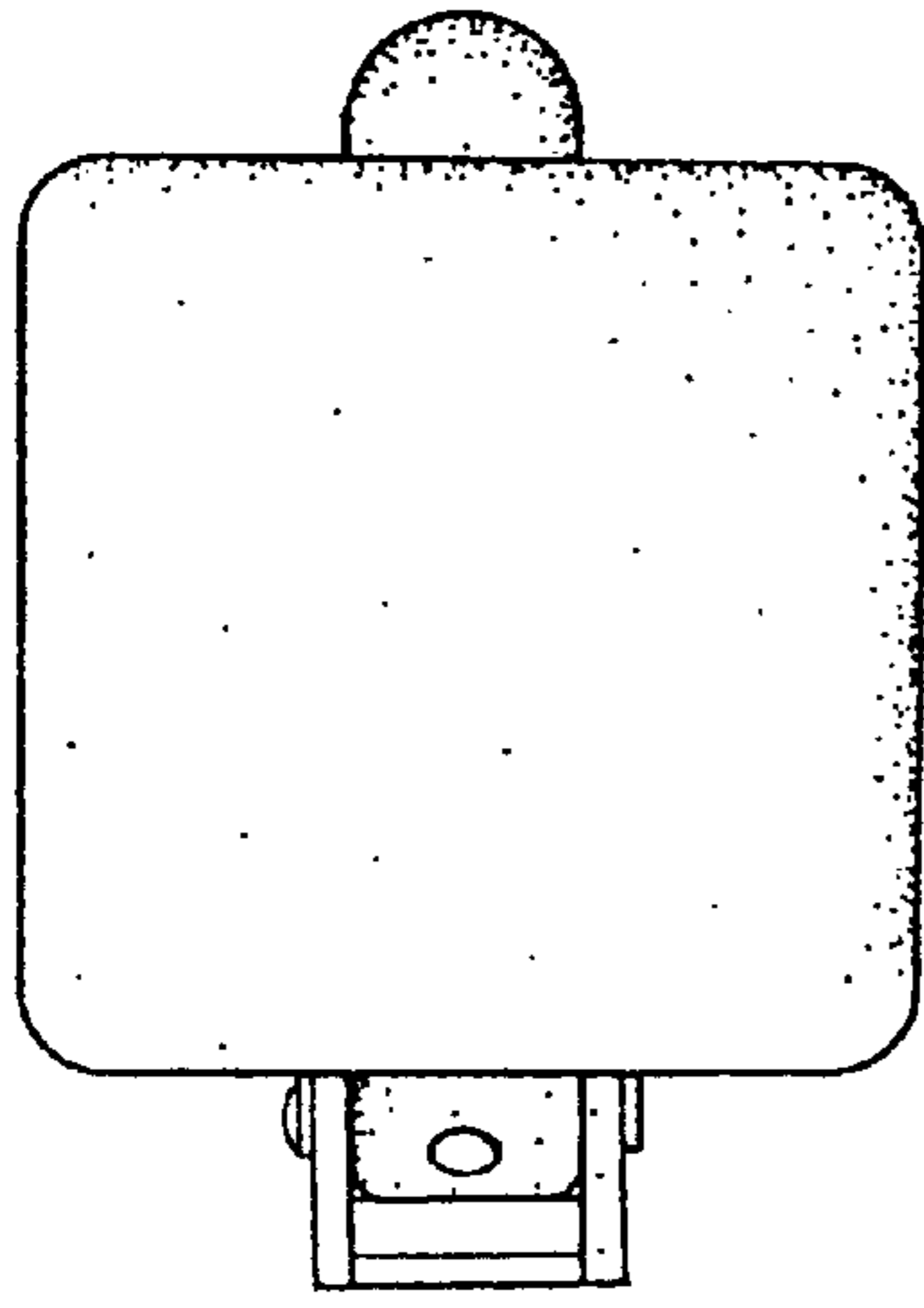


FIG. 3

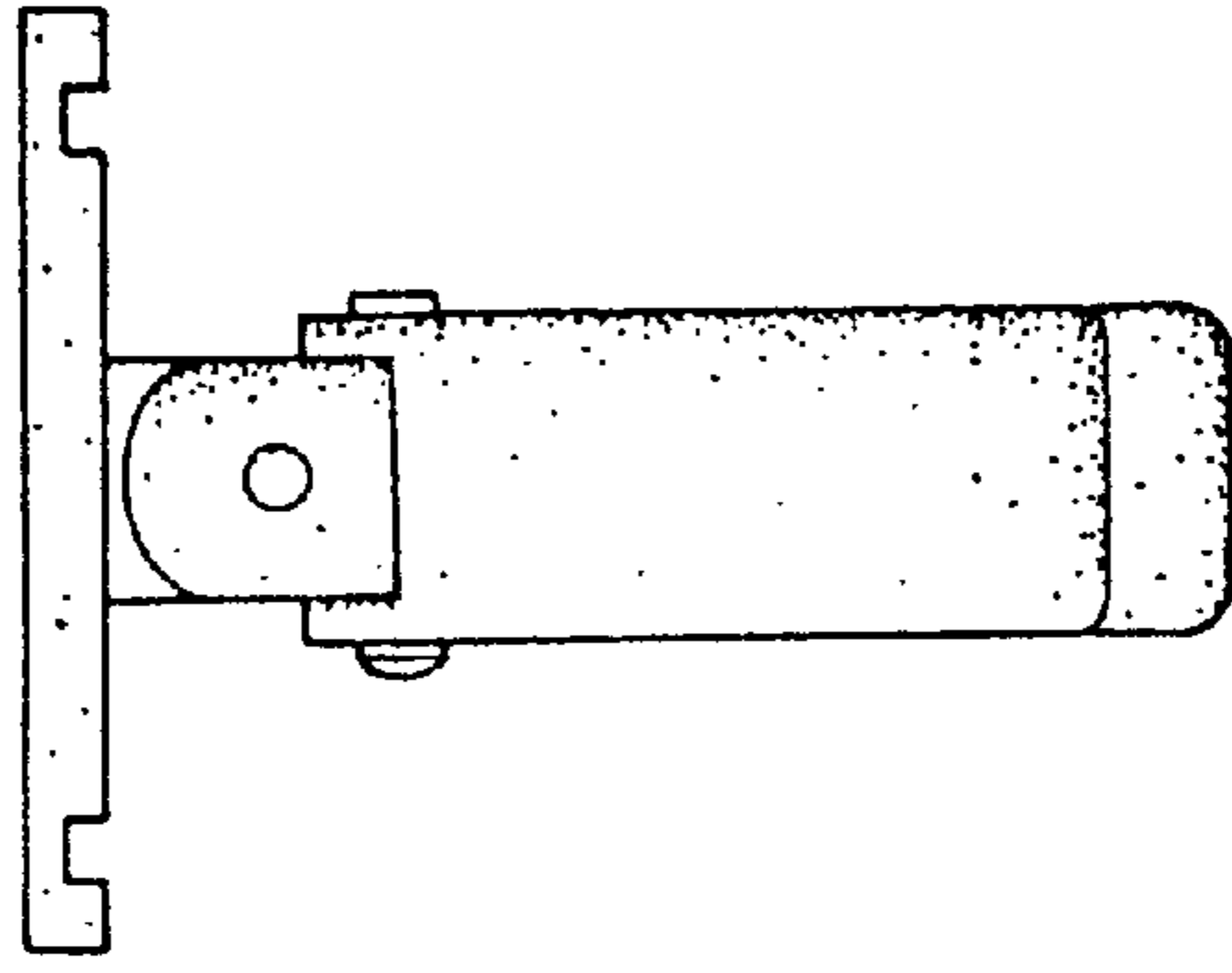


FIG. 5

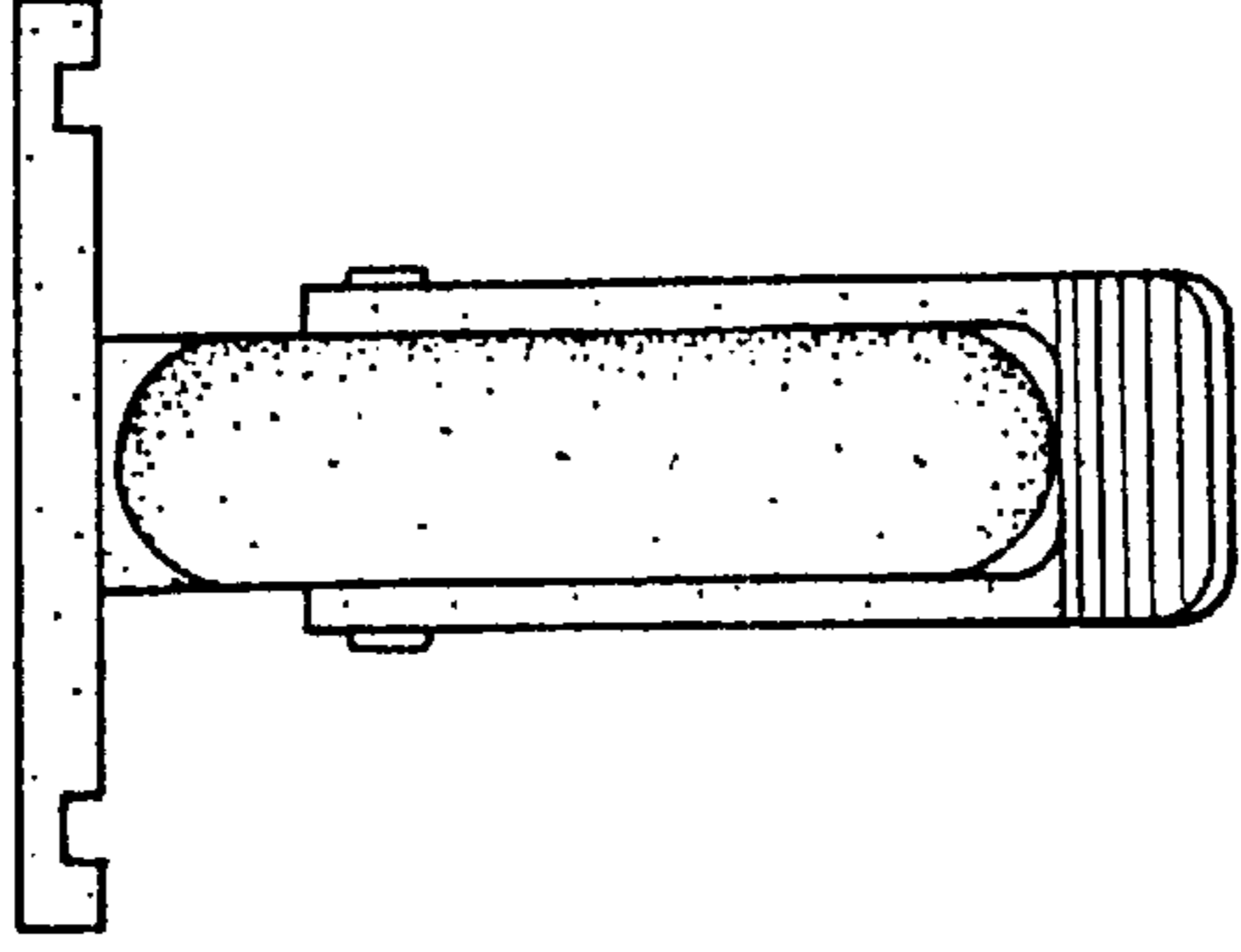


FIG. 6

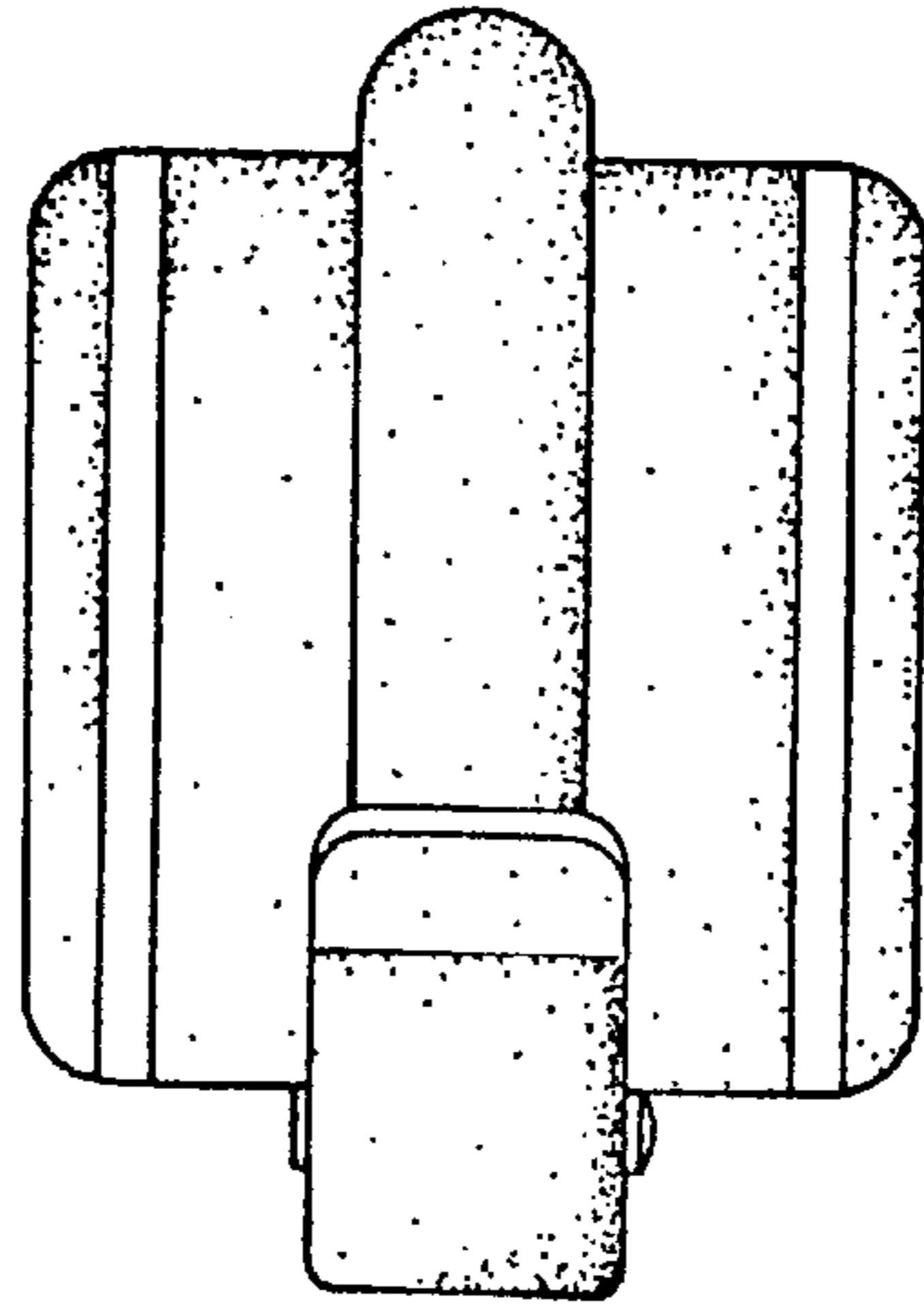


FIG. 4

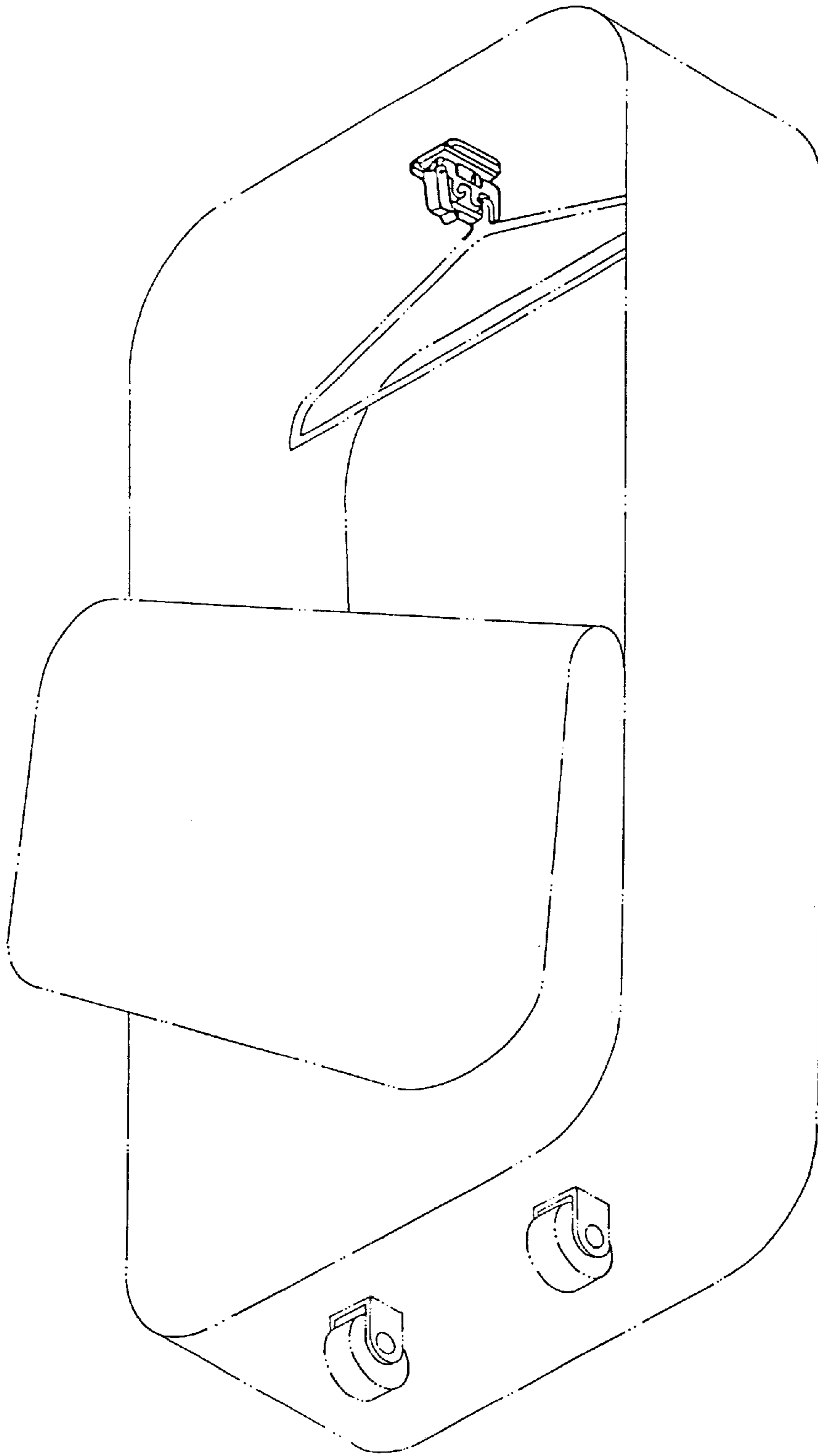


FIG. 7