



US00D452377B1

(12) **United States Design Patent**  
**Cooke et al.**

(10) **Patent No.:** **US D452,377 S**

(45) **Date of Patent:** **\*\* Dec. 25, 2001**

(54) **BAG CLIP**

(75) **Inventors:** **Charles Brian Durler Cooke; Mark Philip McCarthy**, both of London (GB)

(73) **Assignee:** **Aquapac International**, London (GB)

(\*\*) **Term:** **14 Years**

(21) **Appl. No.:** **29/125,772**

(22) **Filed:** **Jun. 30, 2000**

(30) **Foreign Application Priority Data**

Jan. 5, 2000 (GB) ..... 2089208

(51) **LOC (7) Cl.** ..... **03-01**

(52) **U.S. Cl.** ..... **D3/318; D8/395**

(58) **Field of Search** ..... D3/318; D19/65, D19/88, 86; D8/395; 206/522, 811, 583; 396/11; 24/30.5 R, 336, 337, 30.5 P, 501

(56) **References Cited**

**U.S. PATENT DOCUMENTS**

- D. 393,878 \* 4/1998 Suzuki ..... D19/65
- D. 406,167 \* 2/1999 Wolff ..... D19/65
- D. 408,452 \* 4/1999 Coe ..... D19/65
- 4,033,392 \* 7/1977 Less .
- 4,155,453 \* 5/1979 Ono ..... 206/522
- 5,123,146 \* 6/1992 Olson ..... 24/30.5 R

- 5,713,108 \* 2/1998 Solomon et al. .... 24/30.5 R
- 5,802,677 \* 9/1998 Dorman et al. .... 24/30.5 R
- 5,921,601 \* 7/1999 Buckles ..... 394/142
- 6,105,217 \* 8/2000 Caradine et al. .... 24/501

\* cited by examiner

*Primary Examiner*—Philip S. Hyder

(74) *Attorney, Agent, or Firm*—Liniak, Berenato, Longacre & White

(57) **CLAIM**

The ornamental design for a bag clip, as shown and described.

**DESCRIPTION**

FIG. 1 is a front elevational perspective view of a bag clip according to the present invention.

FIG. 2 is a front view of a bag clip of FIG. 1 according to the present invention.

FIG. 3 is a back view of a bag clip of FIG. 1 according to the present invention.

FIG. 4 is a side view of a bag clip of FIG. 1 according to the present invention, the other side view being a mirror image.

FIG. 5 is a top view of a bag clip of FIG. 1 according to the present invention; and,

FIG. 6 is a bottom view of a bag clip of FIG. 1 according to the present invention.

The broken line portions of the disclosure are is for illustrative purposes only and form no part of the claimed design.

**1 Claim, 2 Drawing Sheets**

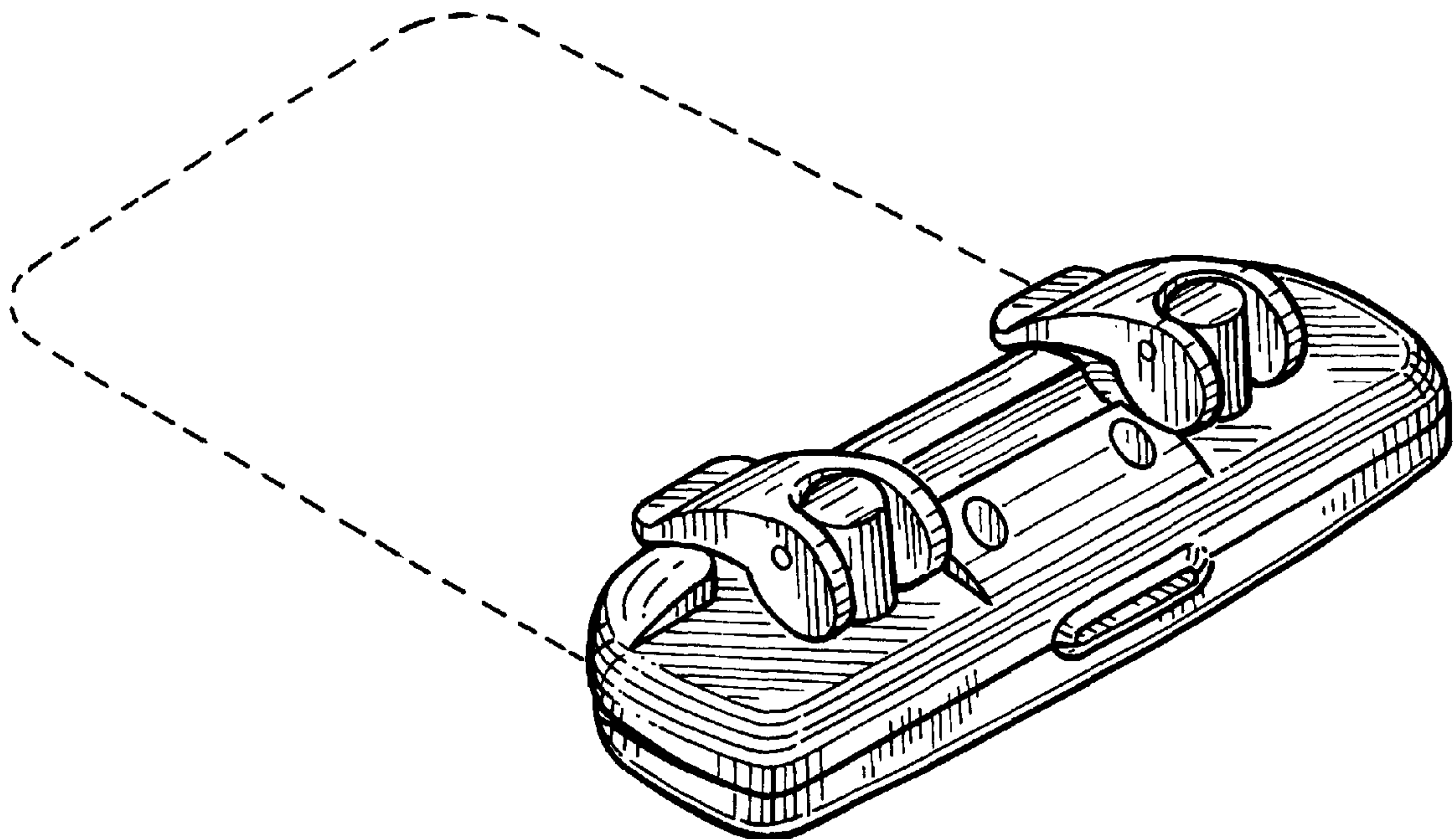


FIG. 1

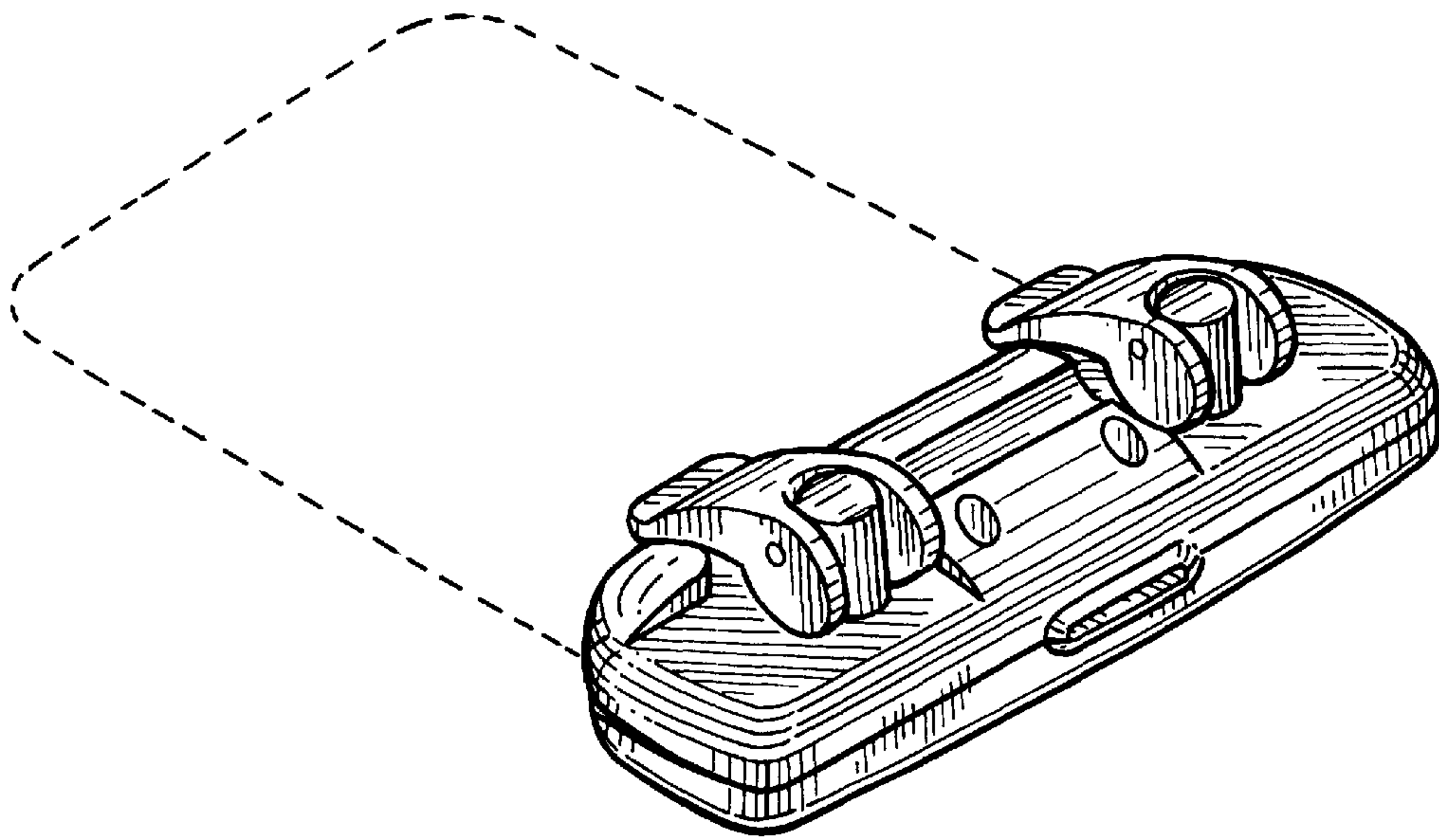


FIG. 2

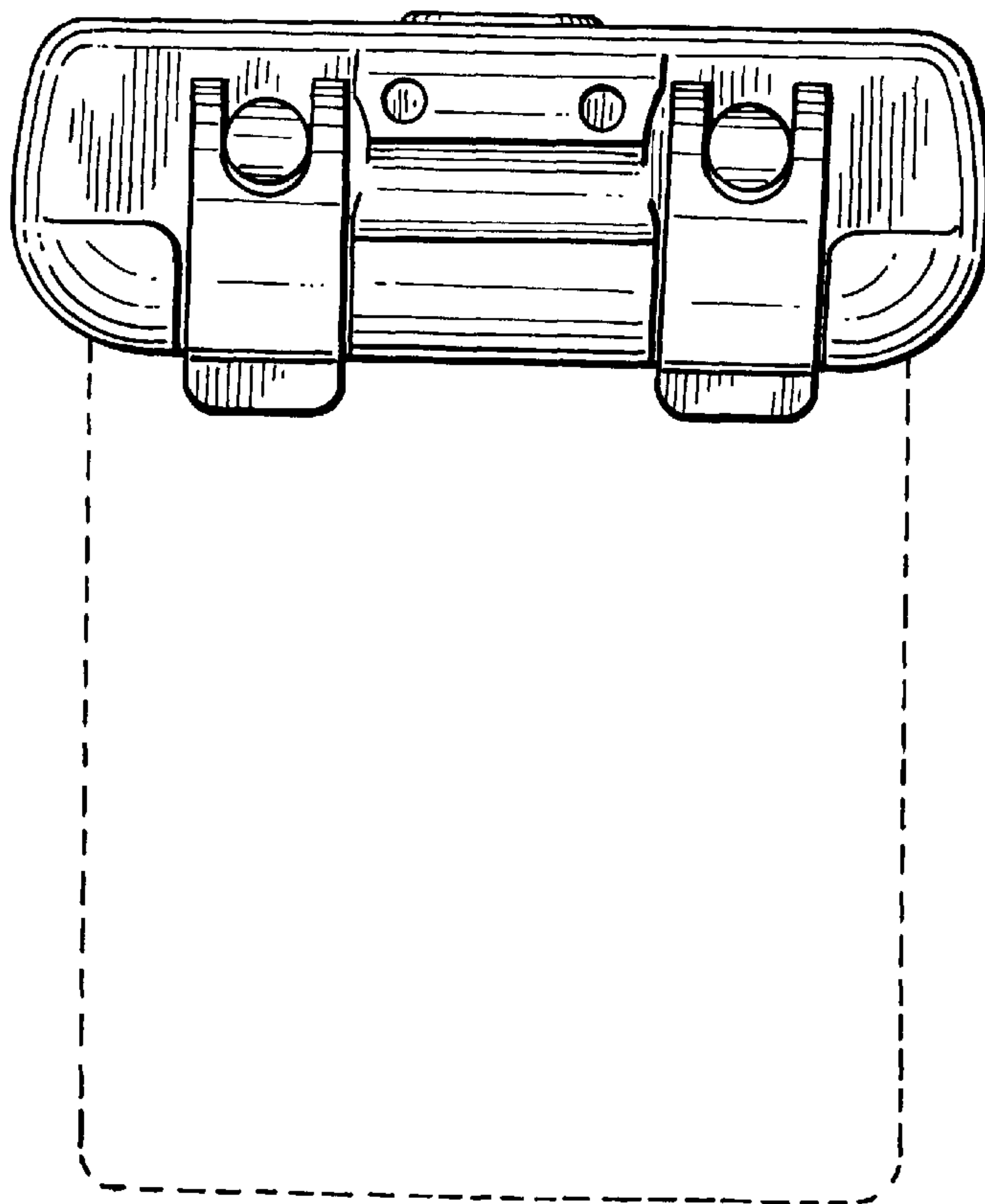


FIG. 3

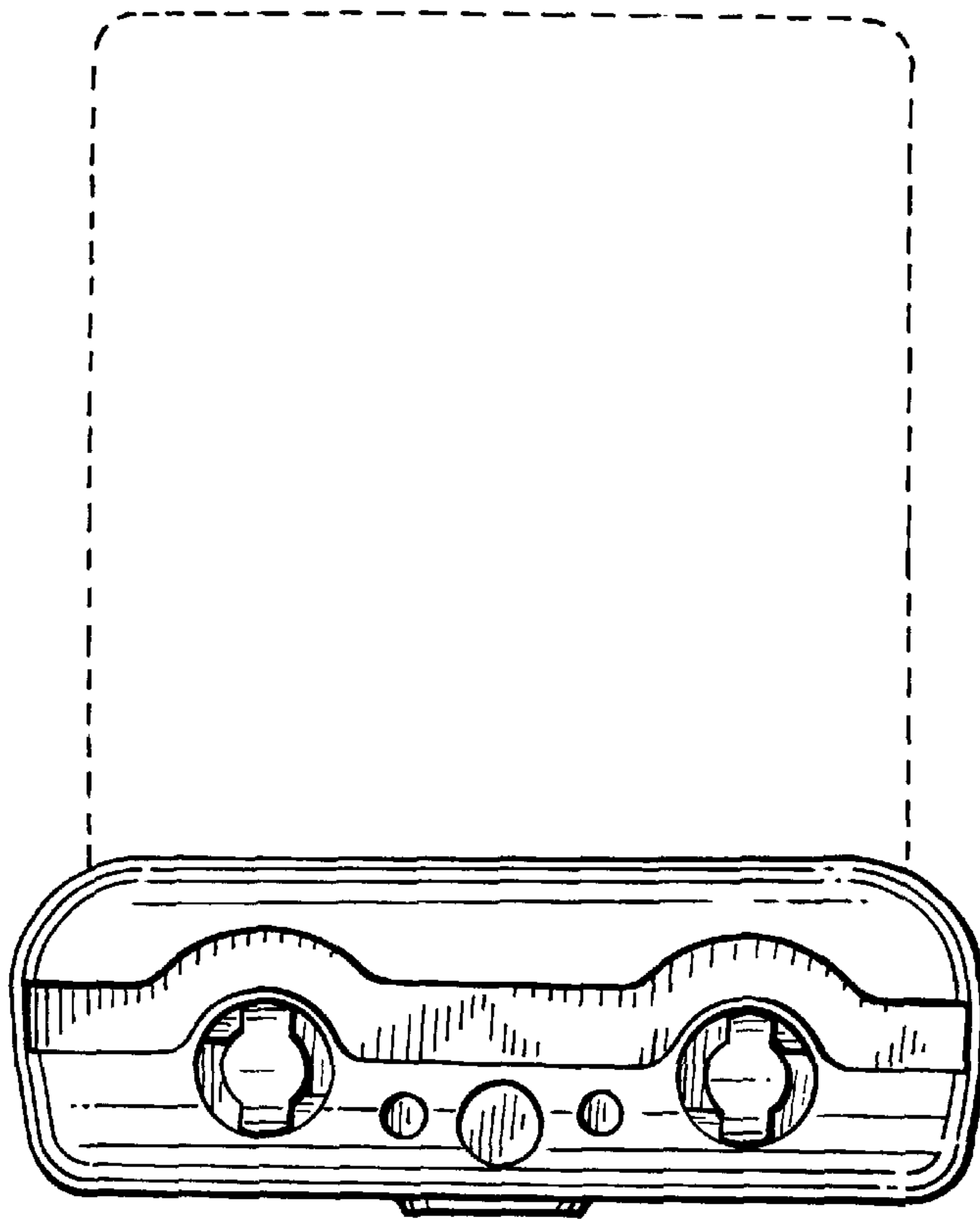


FIG. 4

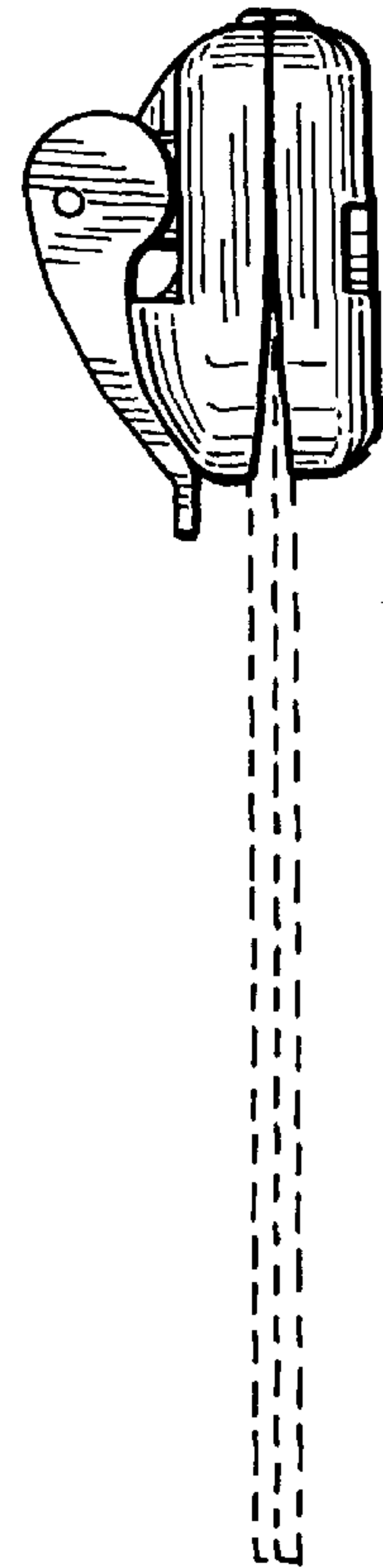


FIG. 5

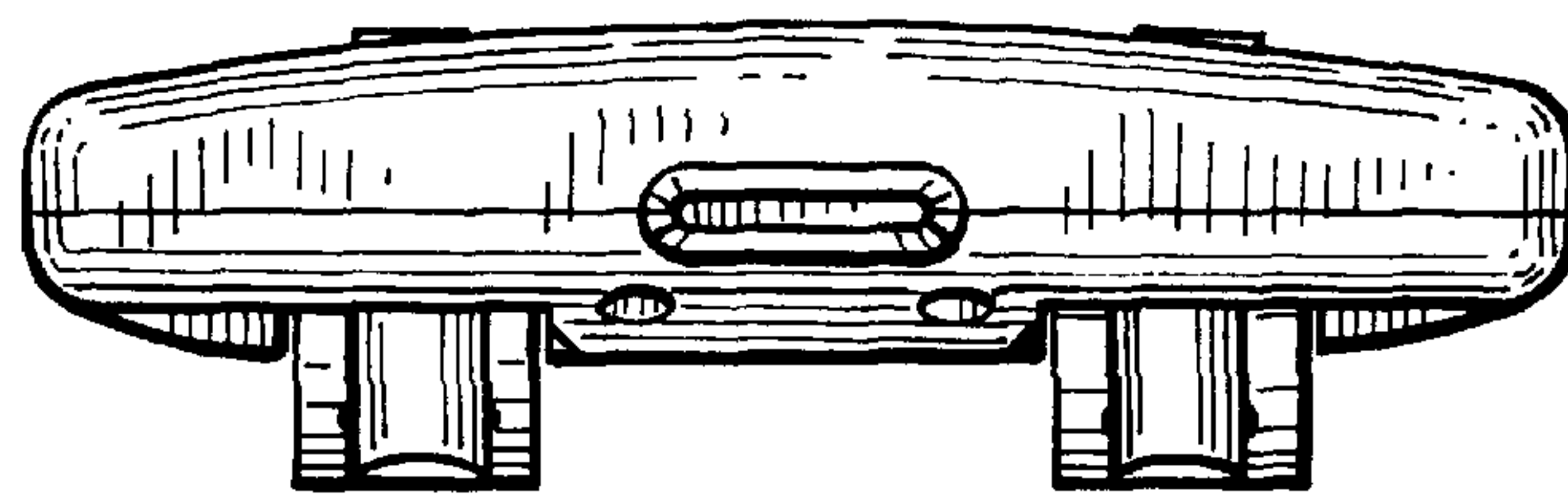
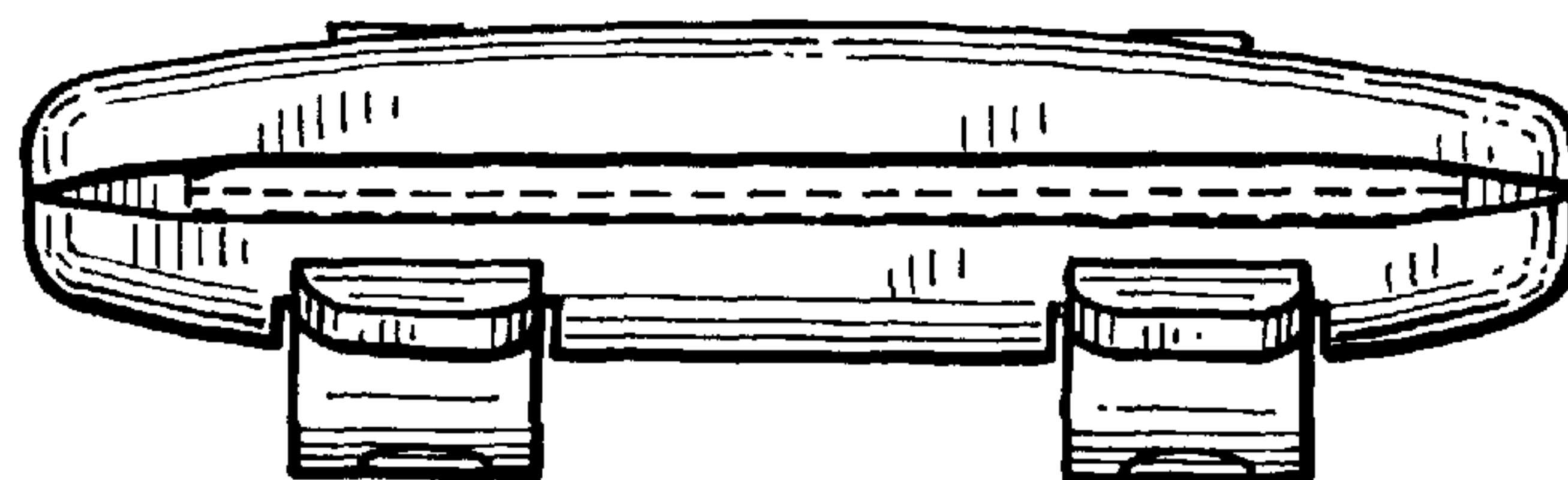


FIG. 6



UNITED STATES PATENT AND TRADEMARK OFFICE  
**CERTIFICATE OF CORRECTION**

PATENT NO. : Des. 452,377 S  
DATED : December 25, 2001  
INVENTOR(S) : Charles Brian Cooke

Page 1 of 1

It is certified that error appears in the above-identified patent and that said Letters Patent is hereby corrected as shown below:

Title page,  
Item [73], Assignee, change “**Aquapac International**, London (GB)” to  
-- **Aquapac International Limited**, London (GB) --

Signed and Sealed this

Twenty-sixth Day of August, 2003

A handwritten signature in black ink, appearing to read "James E. Rogan", written over a horizontal line.

JAMES E. ROGAN  
*Director of the United States Patent and Trademark Office*