



US00D452375B1

(12) **United States Design Patent**
Montemayor

(10) **Patent No.:** **US D452,375 S**

(45) **Date of Patent:** **** Dec. 25, 2001**

(54) **STORAGE CONTAINER FOR GREETING CARDS**

6,108,952 * 8/2000 Whittlef .

* cited by examiner

(76) Inventor: **Mary Ann Montemayor**, 2475 Walnut La., Hobart, IN (US) 46342

Primary Examiner—Lucy Lieberman

(74) *Attorney, Agent, or Firm*—Michael A. Carrillo; Gary R. Jarosik

(**) Term: **14 Years**

(57) **CLAIM**

(21) Appl. No.: **29/138,050**

The ornamental design for a storage container for greeting cards, as shown and described.

(22) Filed: **Mar. 5, 2001**

DESCRIPTION

(51) **LOC (7) Cl.** **03-01**

(52) **U.S. Cl.** **D3/302**

(58) **Field of Search** D3/201, 273, 294, D3/302, 270, 271; D9/503, 423, 428, 320; D99/34, 35, 29; 229/4.5, 125.01; 206/215, 494, 0.815, 0.82, 39, 1.5; 232/2, 1 D, 4 R, 7, 17

FIG. 1 is a perspective view of a storage container for greeting cards embodying the present invention;

FIG. 2 is a top view of the storage container for greeting cards shown in FIG. 1;

FIG. 3 is a front elevational view of the storage container for greeting cards, the rear elevational view is the same;

FIG. 4 is a side elevational view of the storage container for greeting cards, the opposite side elevational view is the same;

FIG. 5 is a bottom view of the storage container for greeting cards shown in FIG. 1;

FIG. 6 is an exploded front view of the storage container for greeting cards shown in FIG. 1; and,

FIG. 7 is an exploded perspective view of the storage container for greeting cards shown in FIG. 1.

(56) **References Cited**

U.S. PATENT DOCUMENTS

| | | | | | |
|------------|---|---------|--------------|-------|------------|
| D. 386,400 | * | 11/1997 | Lau | | D9/320 |
| 1,275,579 | * | 8/1918 | McGowan | | 232/2 |
| 1,770,819 | * | 7/1930 | Tamke et al. | | 229/125.01 |
| 2,182,872 | * | 12/1939 | Karl | | 229/4.5 |
| 3,464,599 | * | 9/1969 | Meth | | D9/503 |
| 3,610,177 | * | 10/1971 | Shapiro | | 232/17 |
| 4,602,712 | * | 7/1986 | Williams | | 206/39 |
| 4,832,212 | * | 5/1989 | Askanazi | | 229/4.5 |
| 5,100,002 | * | 3/1992 | Garran | . | |

1 Claim, 7 Drawing Sheets

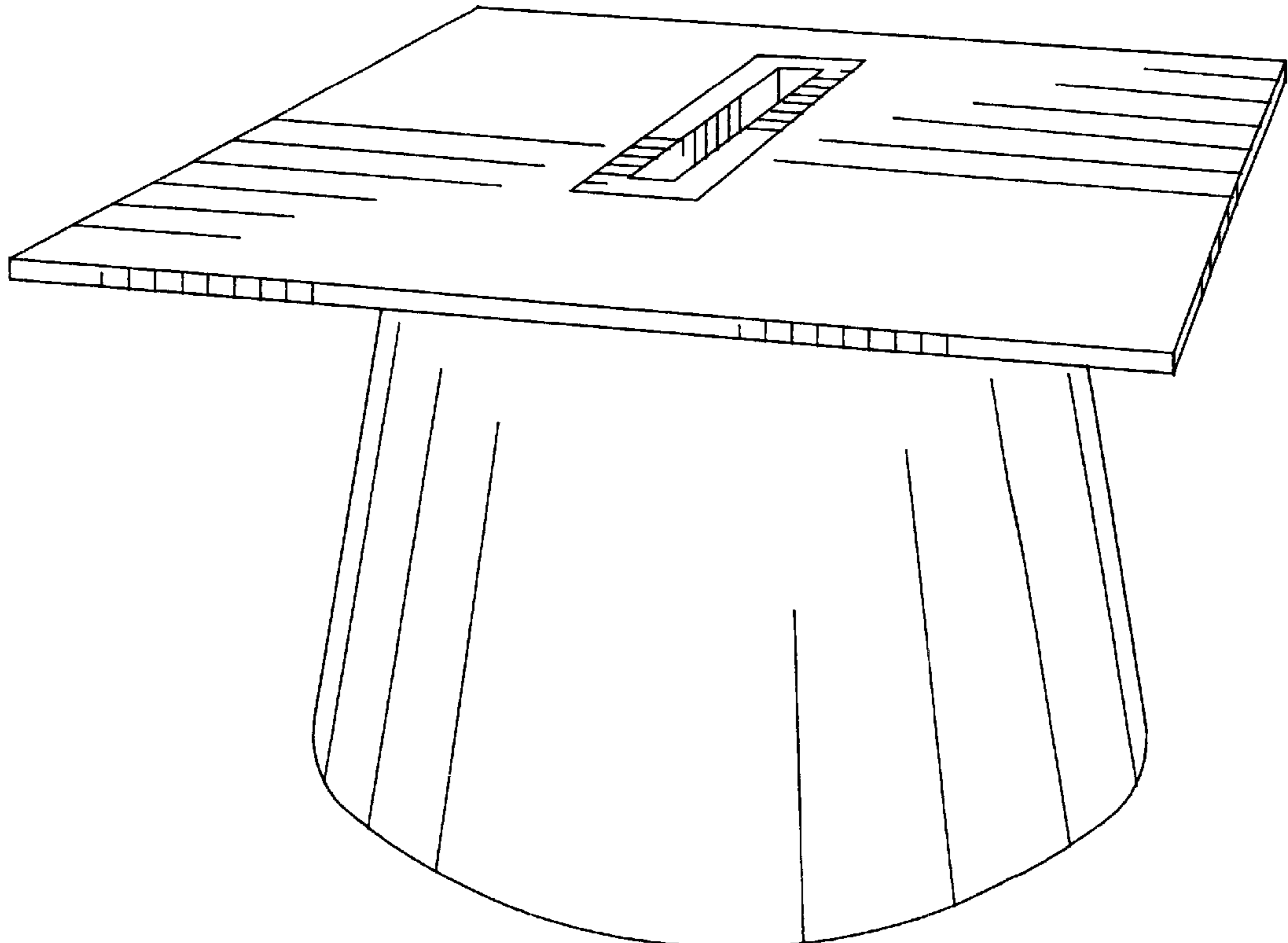


FIG. 1

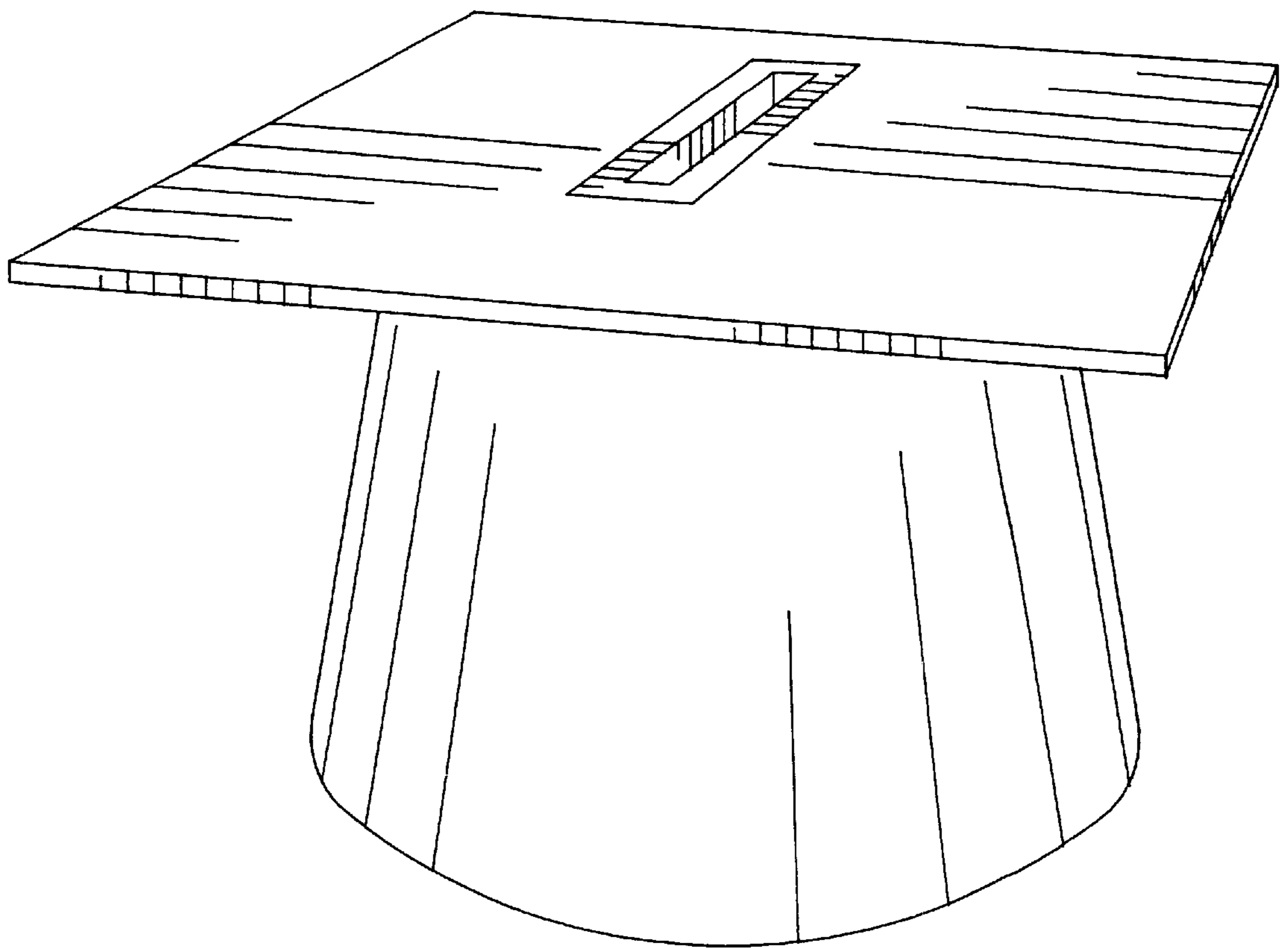


FIG. 2

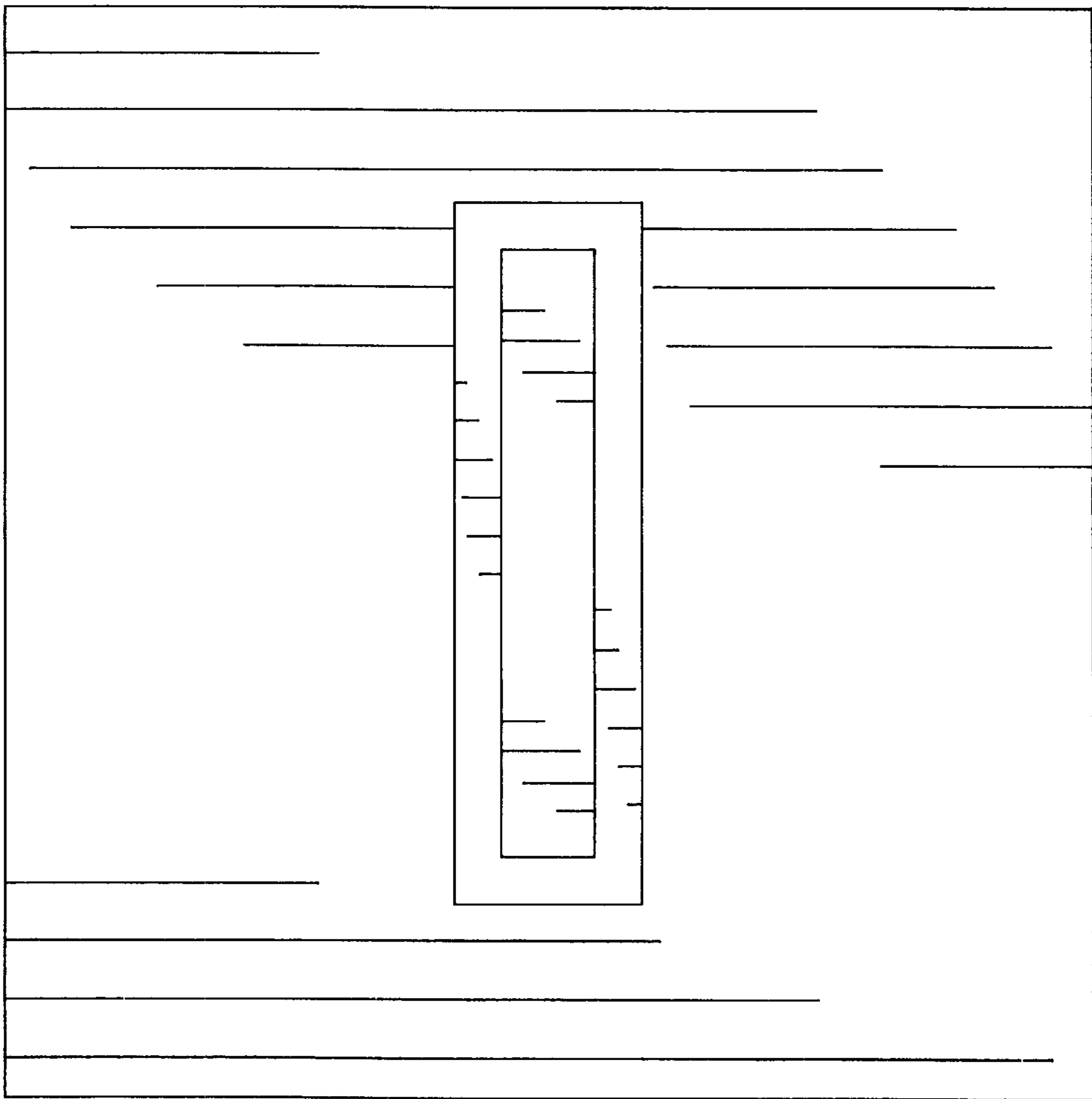


FIG. 3

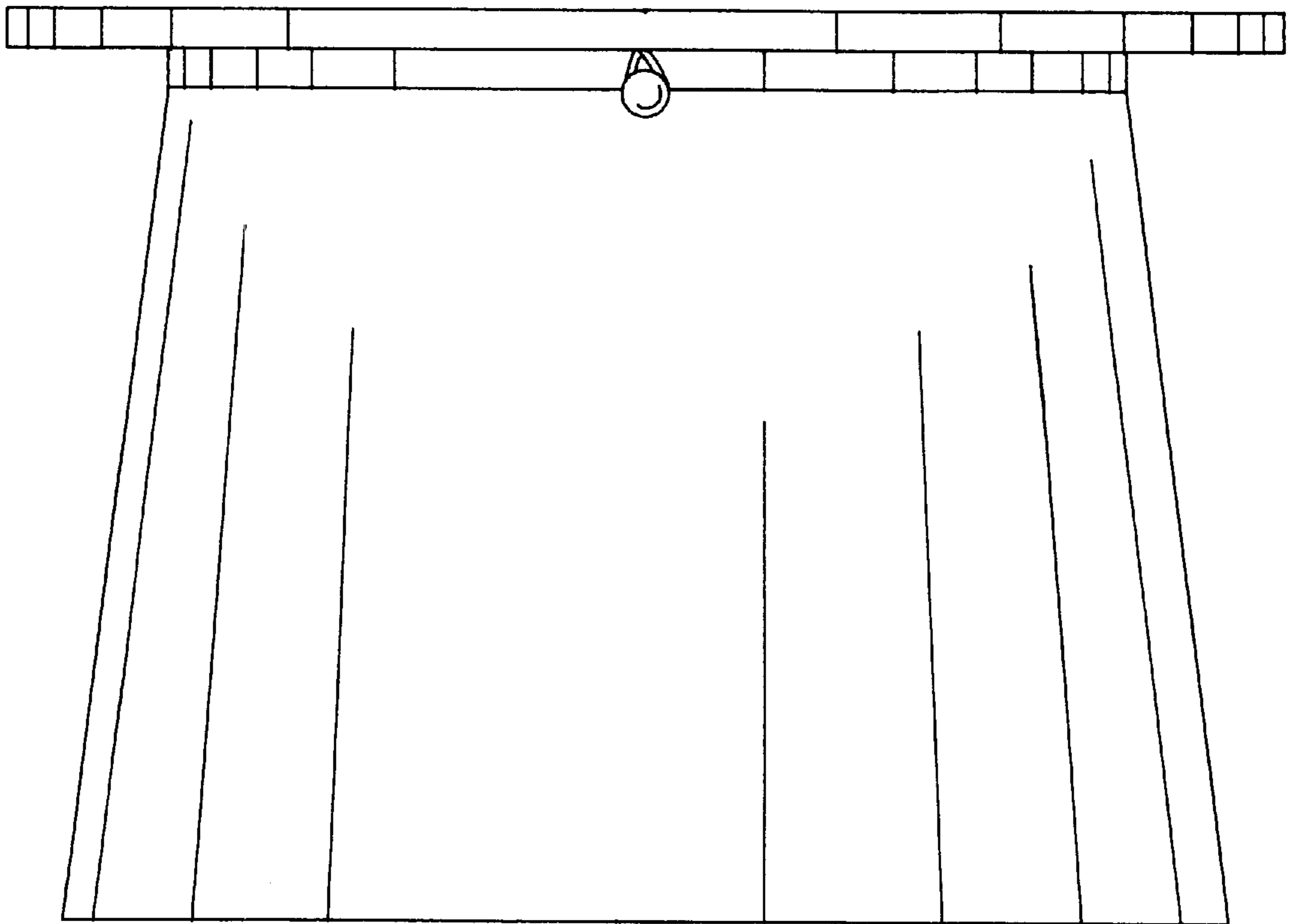


FIG. 4

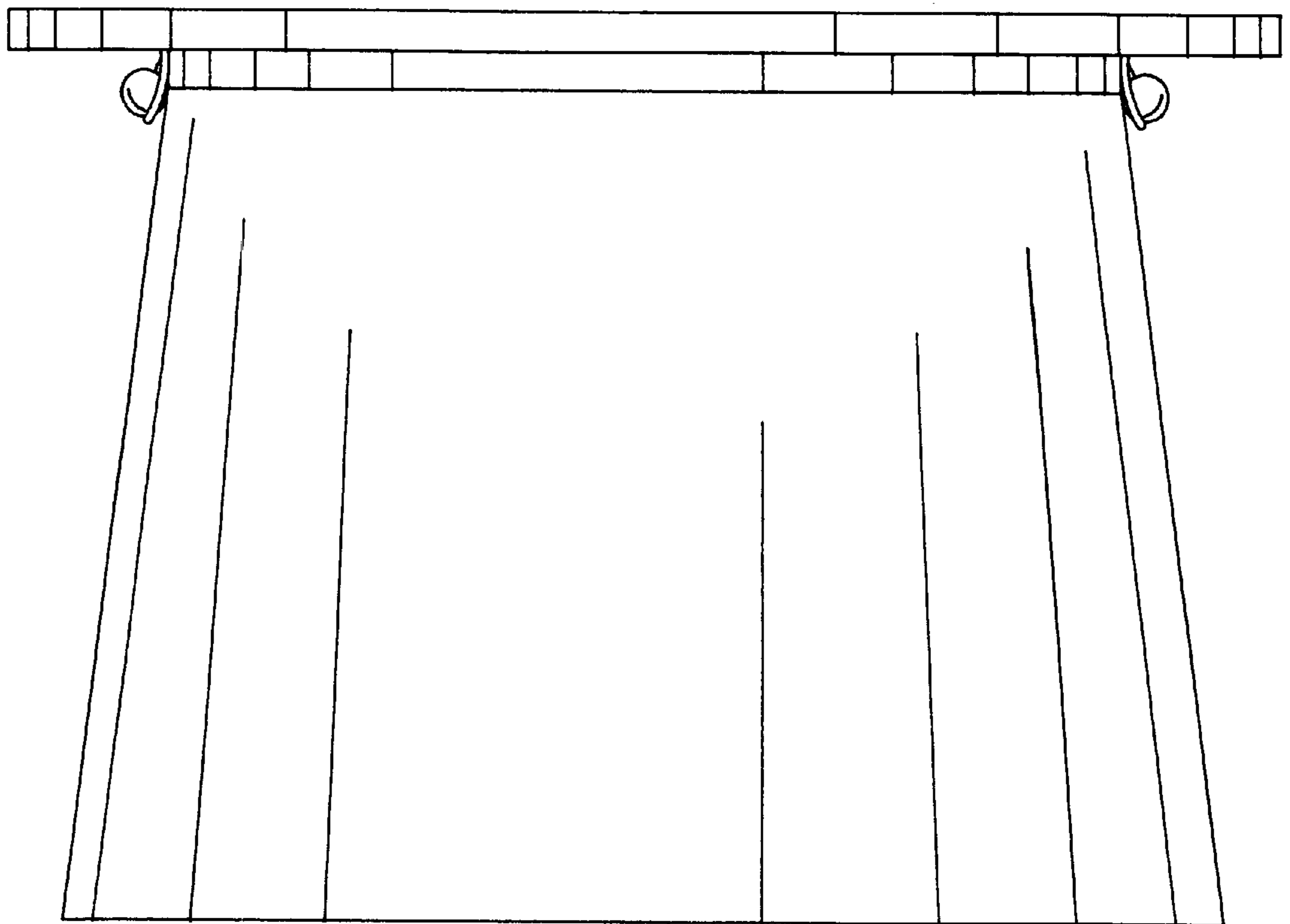


FIG. 5

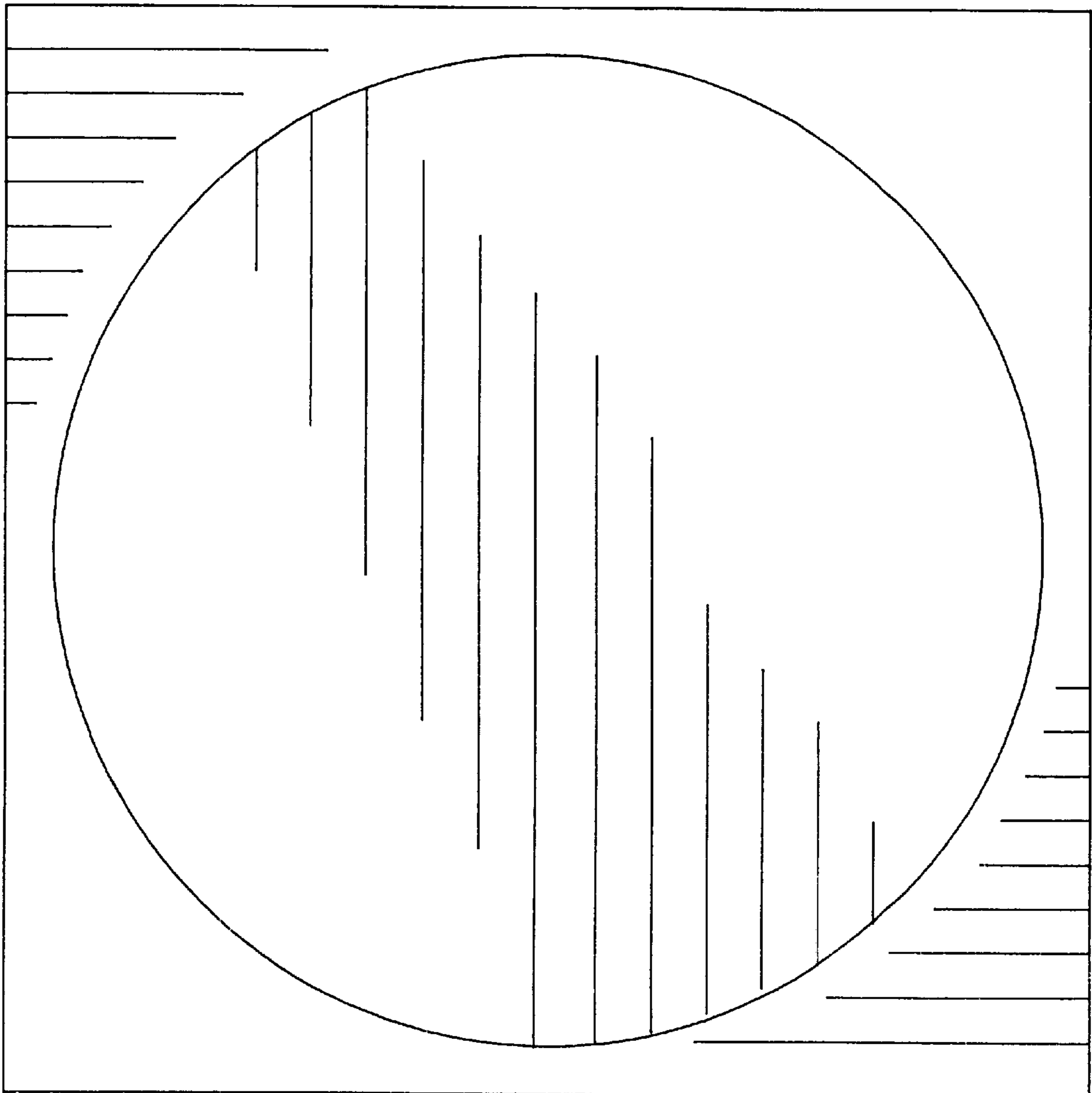


FIG. 6

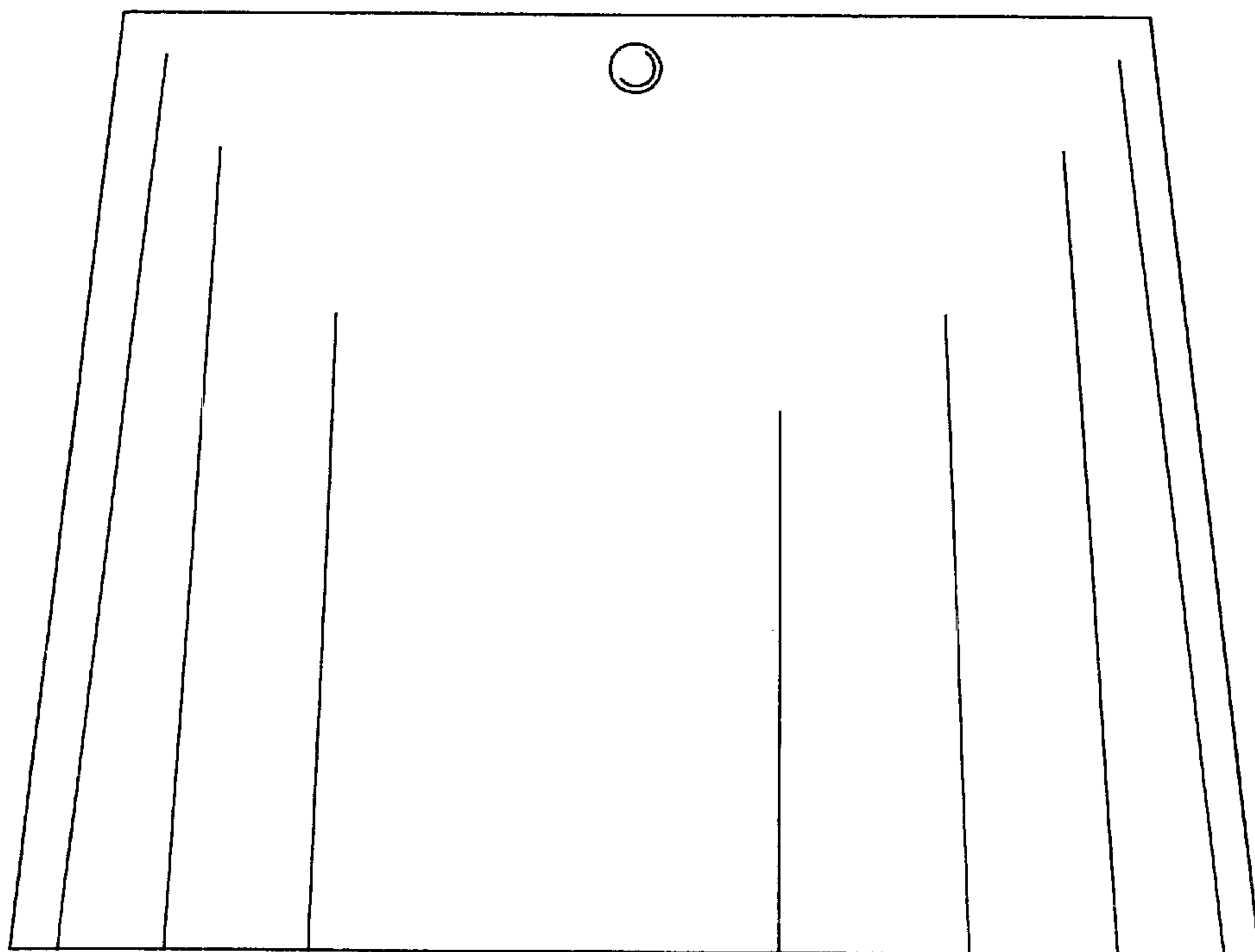
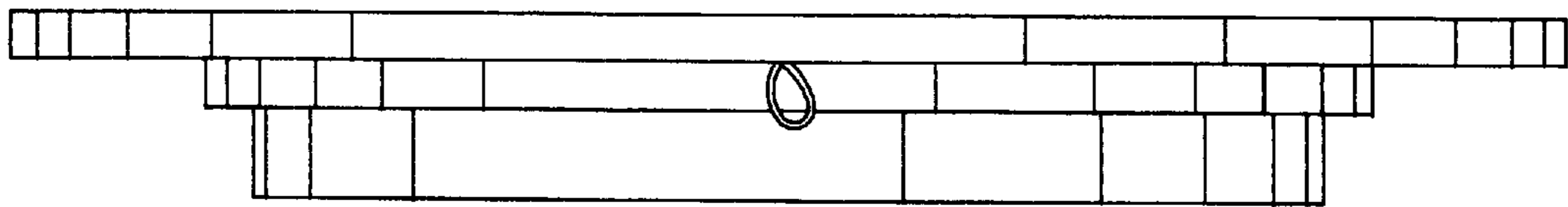


FIG. 7

