



US00D452374B1

(12) **United States Design Patent**
Kim

(10) **Patent No.:** **US D452,374 S**

(45) **Date of Patent:** **** Dec. 25, 2001**

(54) **AIRTIGHT CONTAINER**

(75) Inventor: **Chang Ho Kim**, Incheon (KR)

(73) Assignee: **Hana Cobi Co., Ltd.**, Incheon (KR)

(**) Term: **14 Years**

(21) Appl. No.: **29/124,892**

(22) Filed: **Jun. 13, 2000**

(51) **LOC (7) Cl.** **03-01**

(52) **U.S. Cl.** **D3/302; D9/424**

(58) **Field of Search** **D3/272, 273, 302;**
D9/420, 423, 424, 425; 206/503, 508, 518,
515; 220/326, 378

(56) **References Cited**

U.S. PATENT DOCUMENTS

- D. 356,256 * 3/1995 Romanoff D9/425
- D. 378,552 * 3/1997 Lippisch D3/273
- D. 384,502 * 10/1997 Seager et al. D9/423
- D. 401,064 * 11/1998 Cheris et al. D9/425
- D. 408,631 * 4/1999 Dickinson et al. D3/302

- D. 409,484 * 5/1999 Tasker D9/423
- D. 418,749 * 1/2000 Chang D9/424
- D. 421,901 * 3/2000 Hill D9/424
- D. 427,769 * 7/2000 Zimmerman D3/273
- 5,065,885 * 11/1991 Scaroni 220/326

* cited by examiner

Primary Examiner—Philip S. Hyder

(74) *Attorney, Agent, or Firm*—Birch, Stewart, Kolasch & Birch, LLP

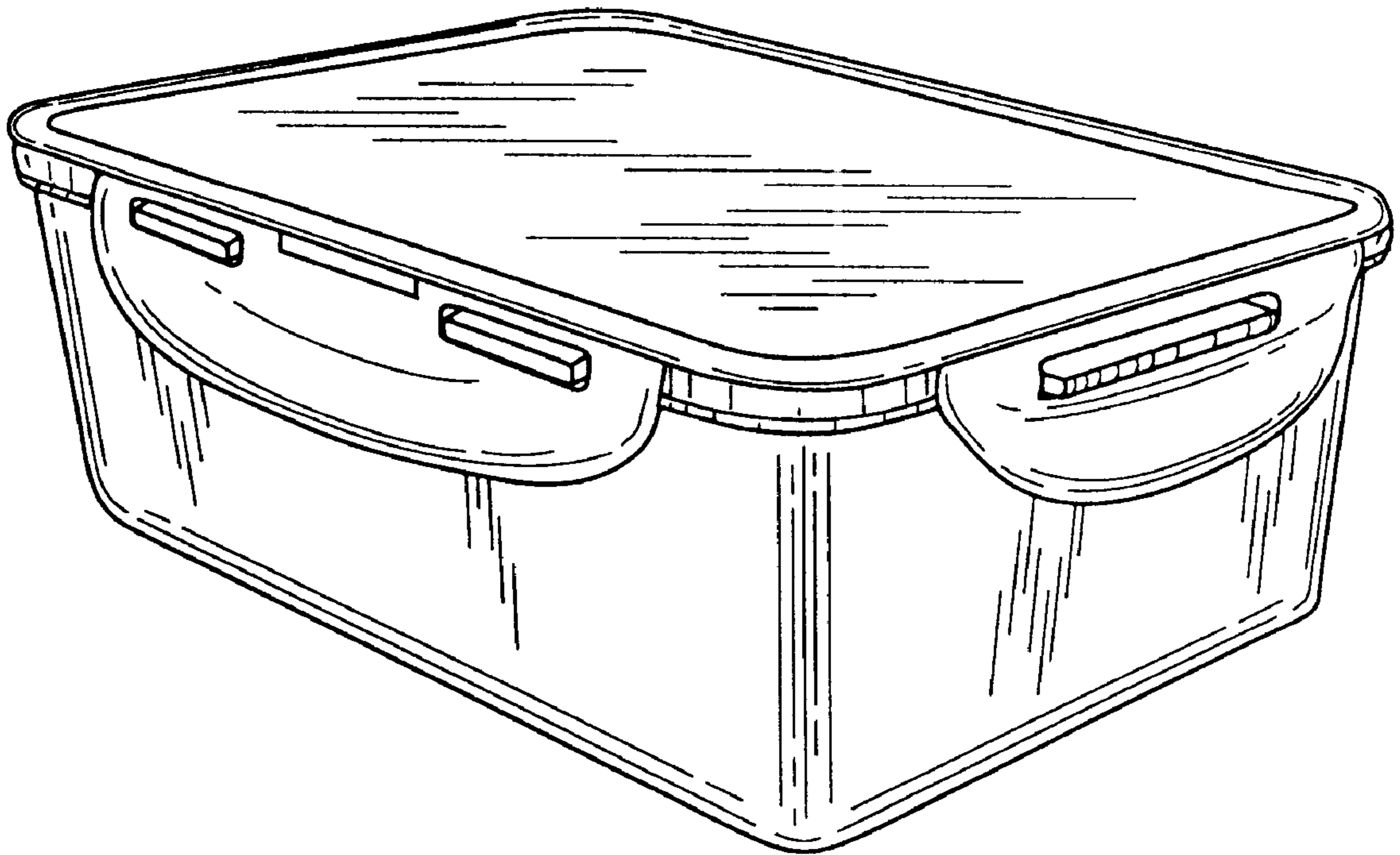
(57) **CLAIM**

The ornamental design for an airtight container, as shown.

DESCRIPTION

FIG. 1 is a perspective view of the airtight container showing my new design;
 FIG. 2 is a front elevational view thereof, the opposite side being a mirror image;
 FIG. 3 is a left side elevational view thereof, the opposite side being a mirror image;
 FIG. 4 is a top plan view thereof; and,
 FIG. 5 is a bottom plan view thereof.

1 Claim, 2 Drawing Sheets



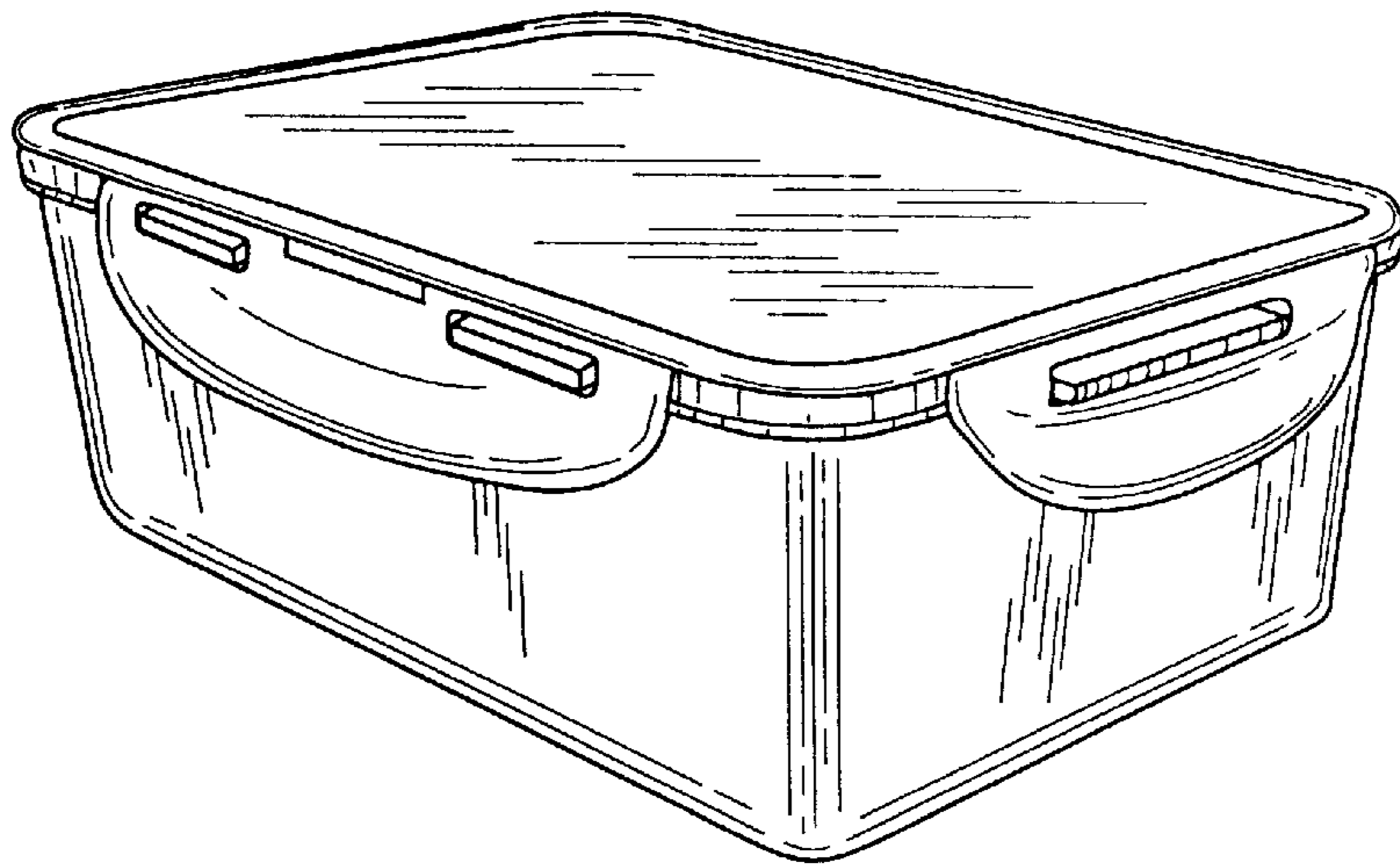


FIG. 1

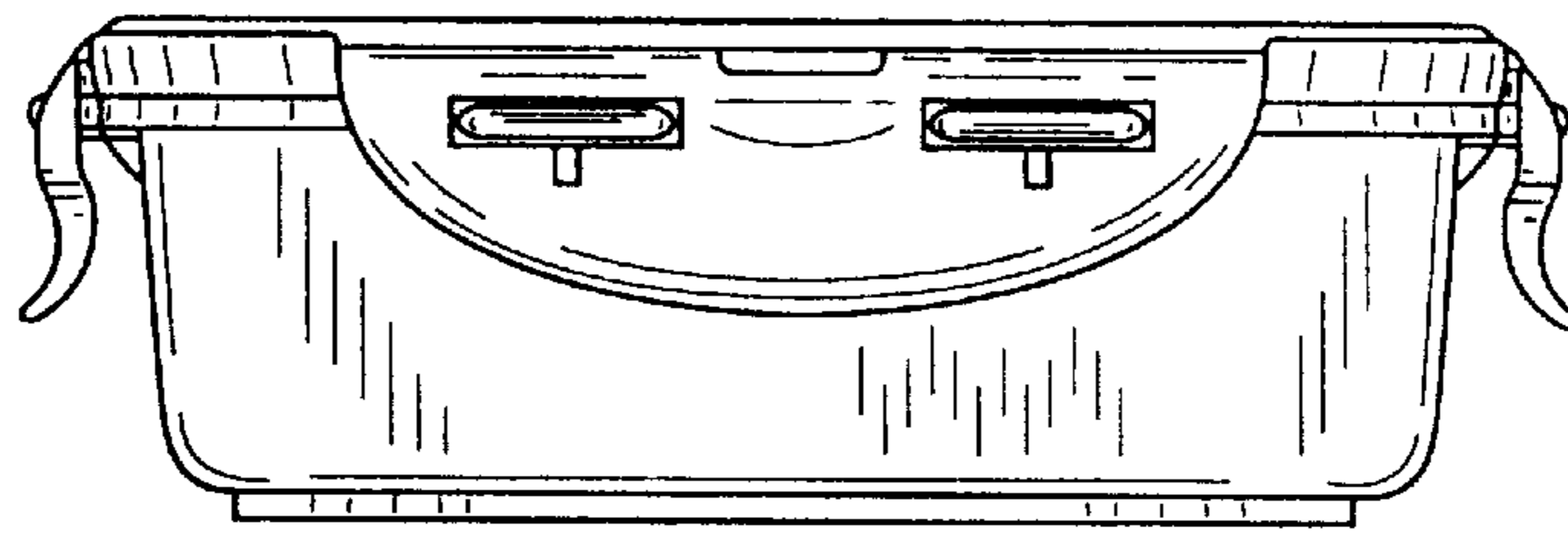


FIG. 2

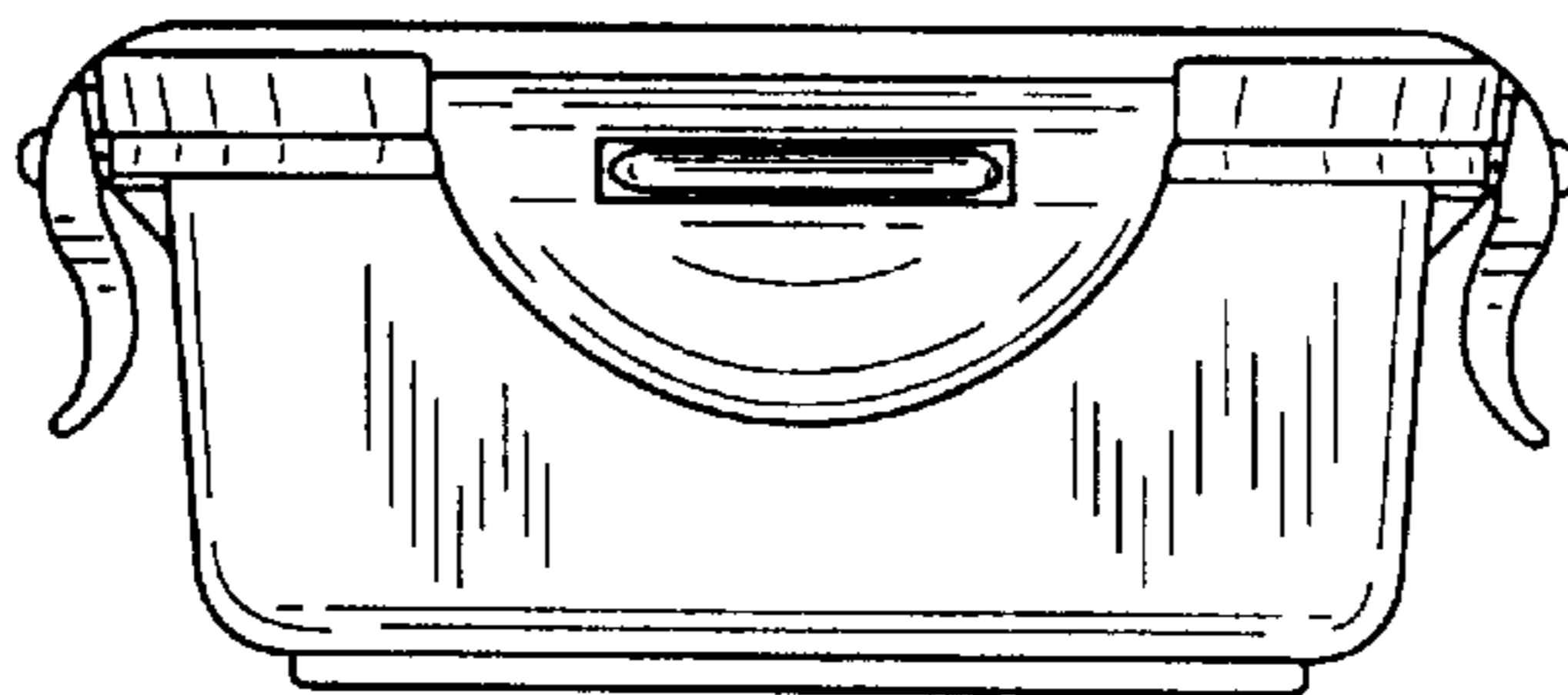


FIG. 3

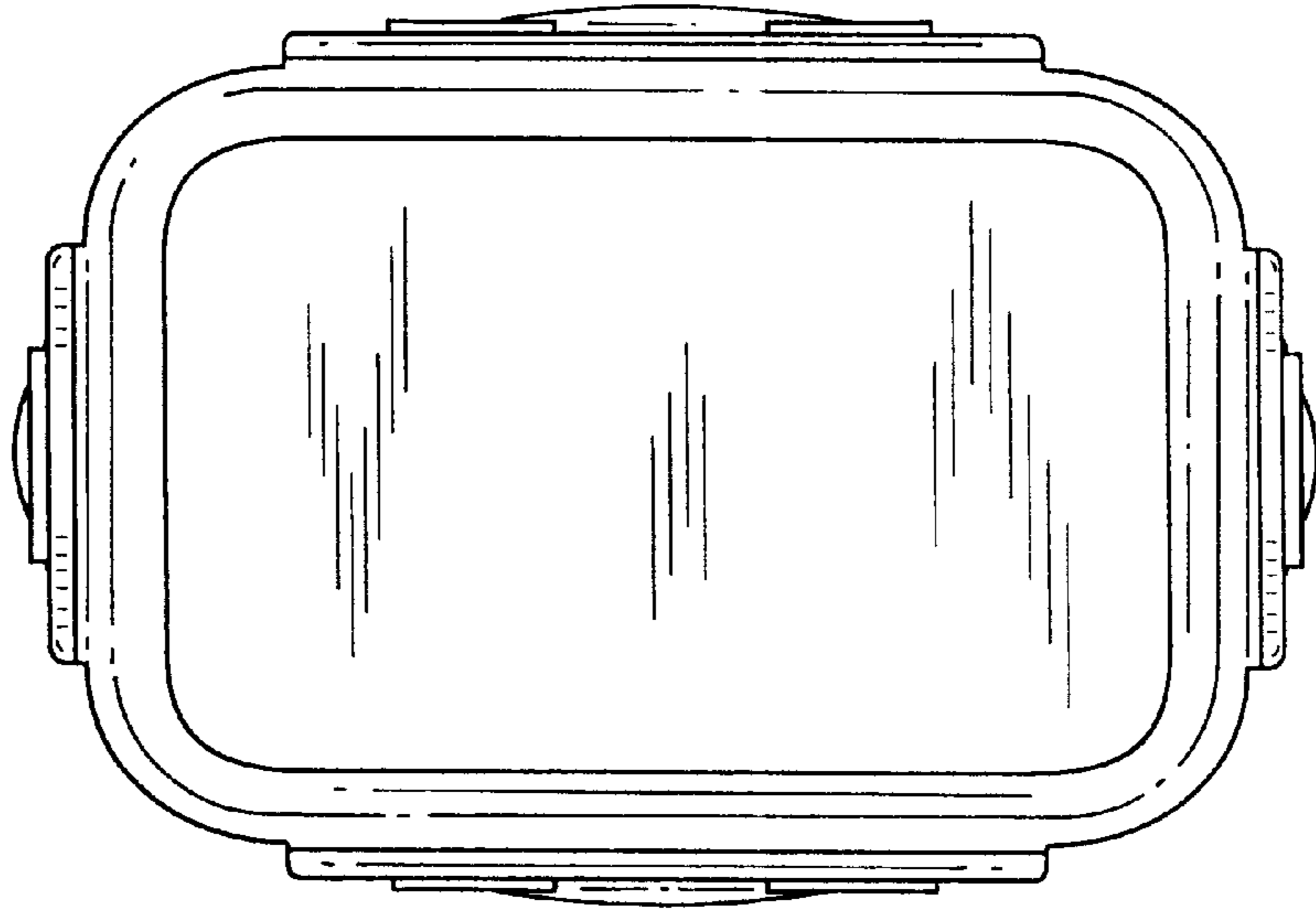


FIG. 4

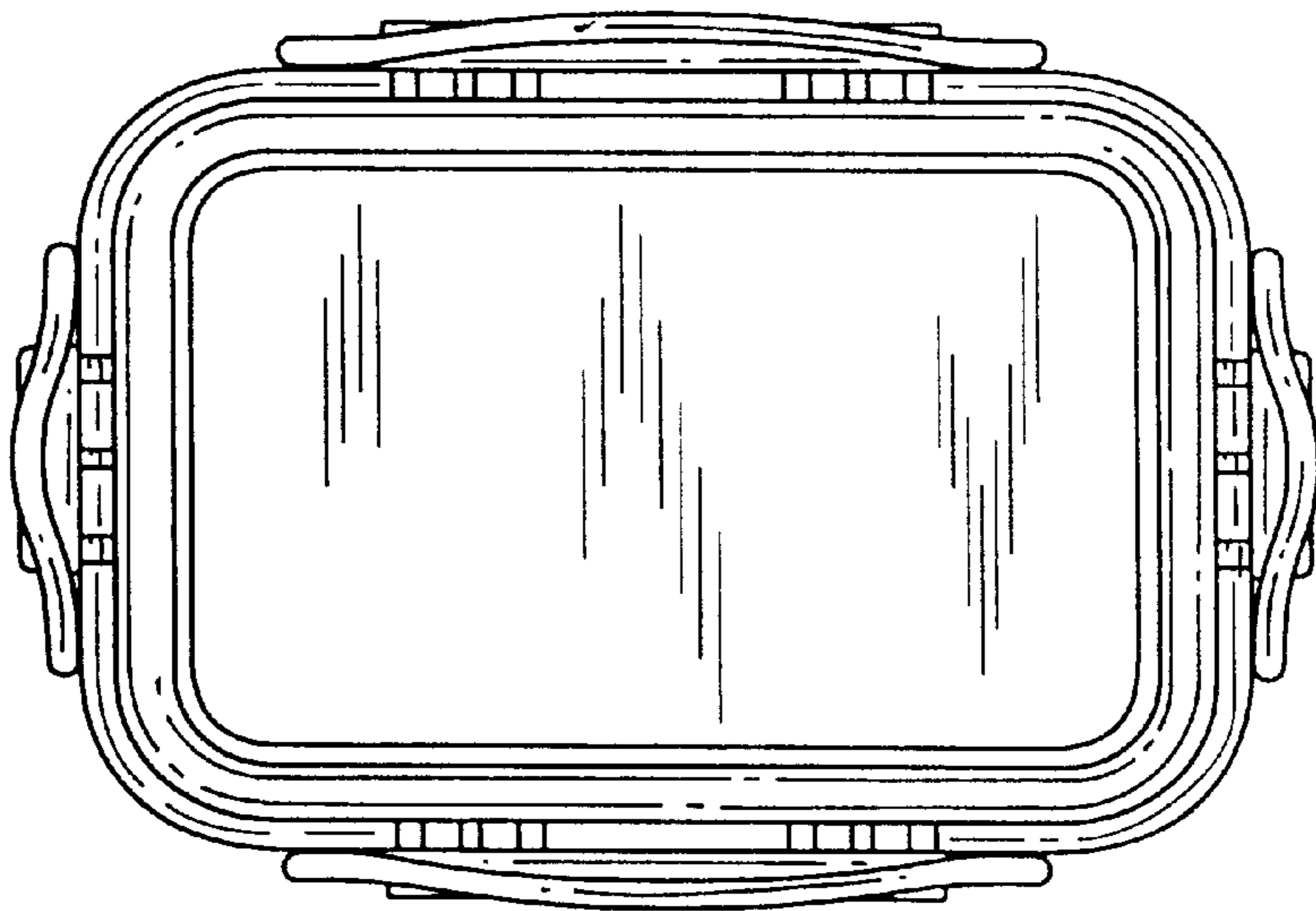


FIG. 5