



US00D452371B1

(12) **United States Design Patent** (10) **Patent No.:** **US D452,371 S**
Fitzsimmons, Jr. et al. (45) **Date of Patent:** **** Dec. 25, 2001**

(54) **COMBINED HIP PACK AND HARNESS FOR AN ELECTRONIC DEVICE**

(75) Inventors: **Robert L. Fitzsimmons, Jr.**, Seattle, WA (US); **Janet Collin**, San Francisco, CA (US); **Nicholas Waddell Oakley**, Portland, OR (US); **David Tonge**, San Francisco; **Eric Saperstein**, San Anselmo, both of CA (US)

(73) Assignee: **Vulcan Northwest, Inc.**, Seattle, WA (US)

(**) Term: **14 Years**

(21) Appl. No.: **29/124,988**

(22) Filed: **Jun. 16, 2000**

(51) **LOC (7) Cl.** **03-01**

(52) **U.S. Cl.** **D3/218**

(58) **Field of Search** D3/218, 215, 224, D3/226, 228, 222, 223, 201; 224/901, 904, 240, 241, 268, 236

(56) **References Cited**

U.S. PATENT DOCUMENTS

D. 349,603	*	8/1994	Doerksen	D3/228
D. 374,768	*	10/1996	Lundie, Jr.	D3/218
D. 436,723	*	1/2001	Ankri	D3/218
4,764,962	*	8/1988	Ekman et al.	224/901 X
5,857,600	*	1/1999	Akutsu	224/240

* cited by examiner

Primary Examiner—Catherine R. Oliver

(74) *Attorney, Agent, or Firm*—Cooley Godward LLP

(57) **CLAIM**

The ornamental design for a combined hip pack and harness for an electronic device, as shown and described.

DESCRIPTION

This application is related to U.S. Design application No.

29/124,990, entitled “Electronic Control Device”, filed Jun. 16, 2000, and U.S. Design application No. 29/124,989, entitled “Hip Pack for an Electronic Device”, filed Jun. 16, 2000, each of which is commonly owned.

FIG. 1 is a rear side perspective view of a combined hip pack and harness for an electronic device showing my new design;

FIG. 2 is a front side perspective view thereof;

FIG. 3 is a front elevational view thereof;

FIG. 4 is a right side elevational view thereof;

FIG. 5 is a left side elevational view thereof;

FIG. 6 is a rear elevational view thereof;

FIG. 7 is a top plan view thereof;

FIG. 8 is a bottom plan view thereof;

FIG. 9 is a rear side perspective view of an alternate embodiment of the combined hip pack and harness for an electronic device;

FIG. 10 is a front side perspective view of FIG. 9;

FIG. 11 is a front elevational view of FIG. 9;

FIG. 12 is a right side elevational view of FIG. 9;

FIG. 13 is a left side elevational view of FIG. 9;

FIG. 14 is a rear elevational view of FIG. 9;

FIG. 15 is a top plan view of FIG. 9;

FIG. 16 is a bottom plan view of FIG. 9;

FIG. 17 is a rear side perspective view of another alternative embodiment of the combined hip pack and harness for an electronic device;

FIG. 18 is a front side perspective view of FIG. 17;

FIG. 19 is a front elevational view of FIG. 17;

FIG. 20 is a right side elevational view of FIG. 17;

FIG. 21 is a left side elevational view of FIG. 17;

FIG. 22 is a rear elevational view of FIG. 17;

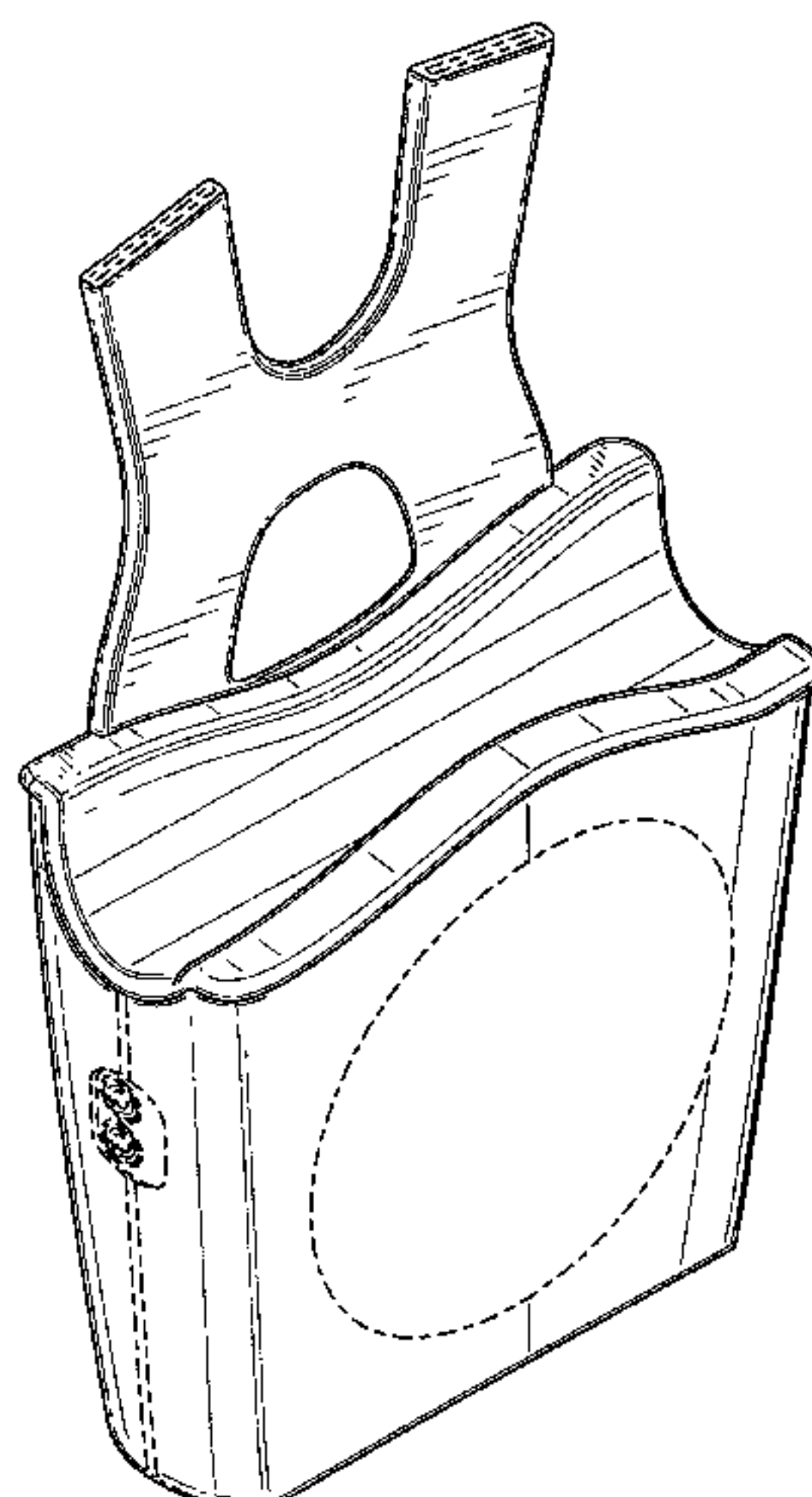
FIG. 23 is a top plan view of FIG. 17;

FIG. 24 is a bottom plan view of FIG. 17; and,

FIG. 25 is a left side perspective view of the combined hip pack and harness illustrating its environment.

The broken line disclosure illustrates the environment for the combined hip pack and harness only and forms no part of the claimed design.

1 Claim, 19 Drawing Sheets



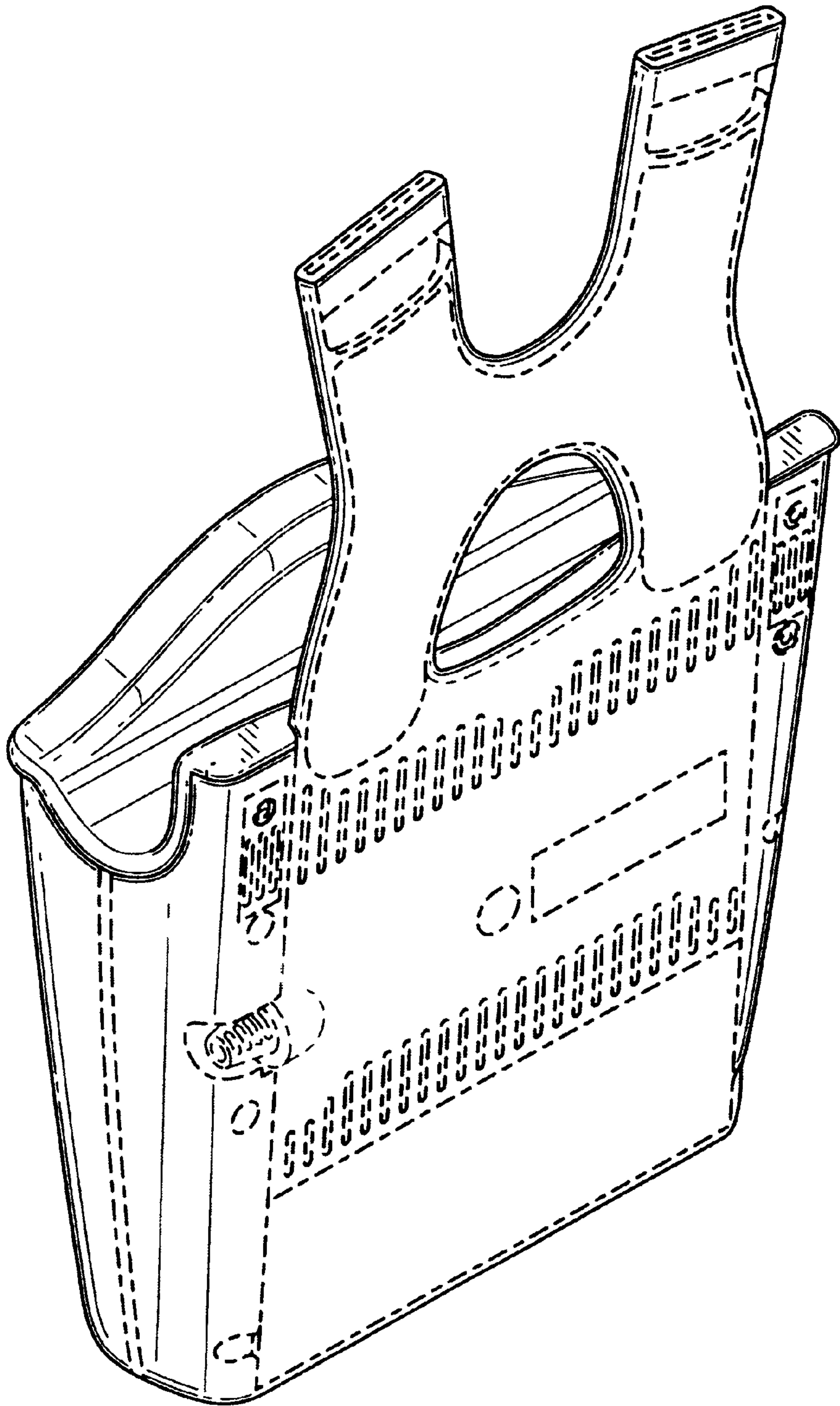


FIG. 1

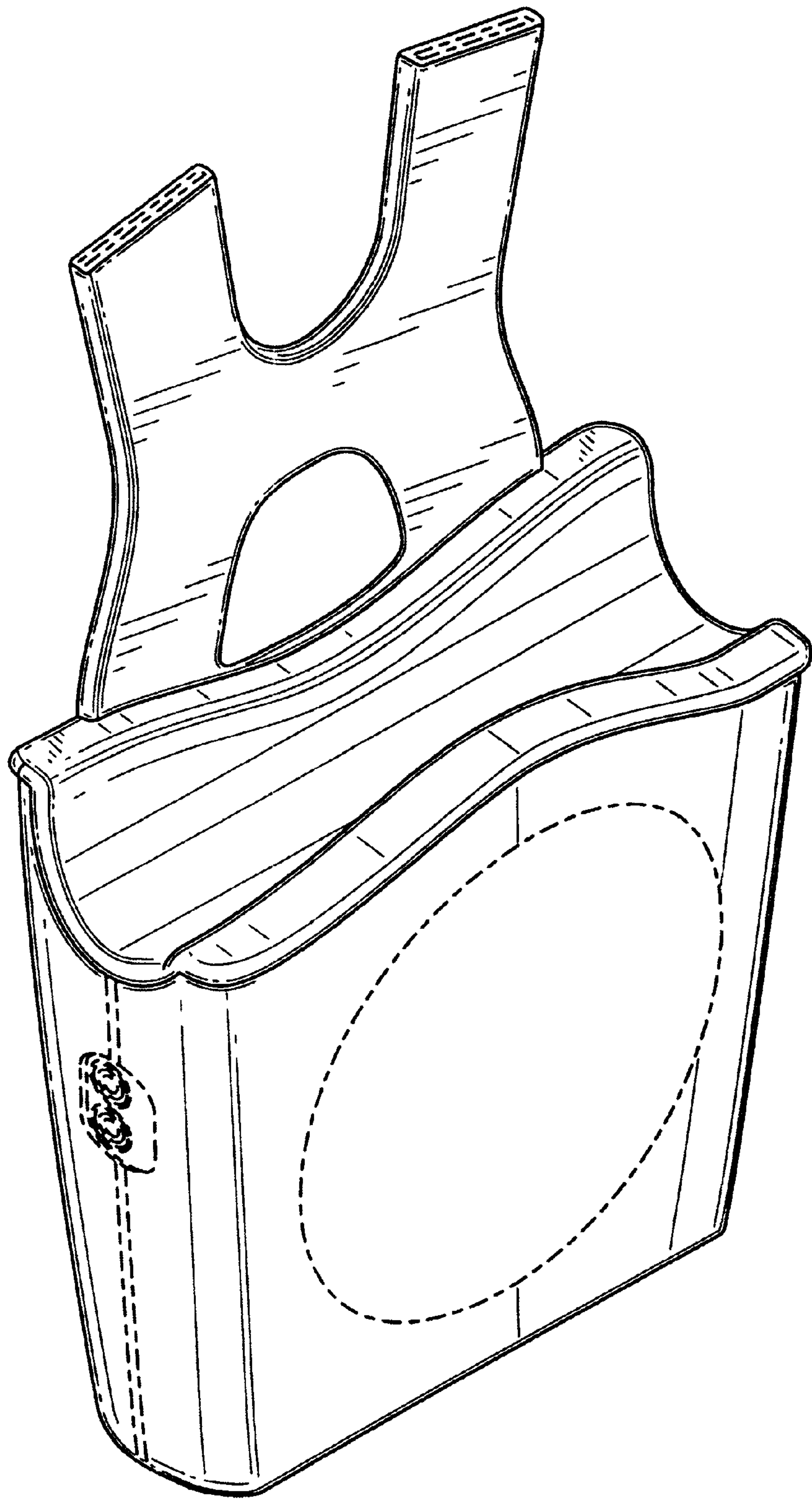


FIG. 2

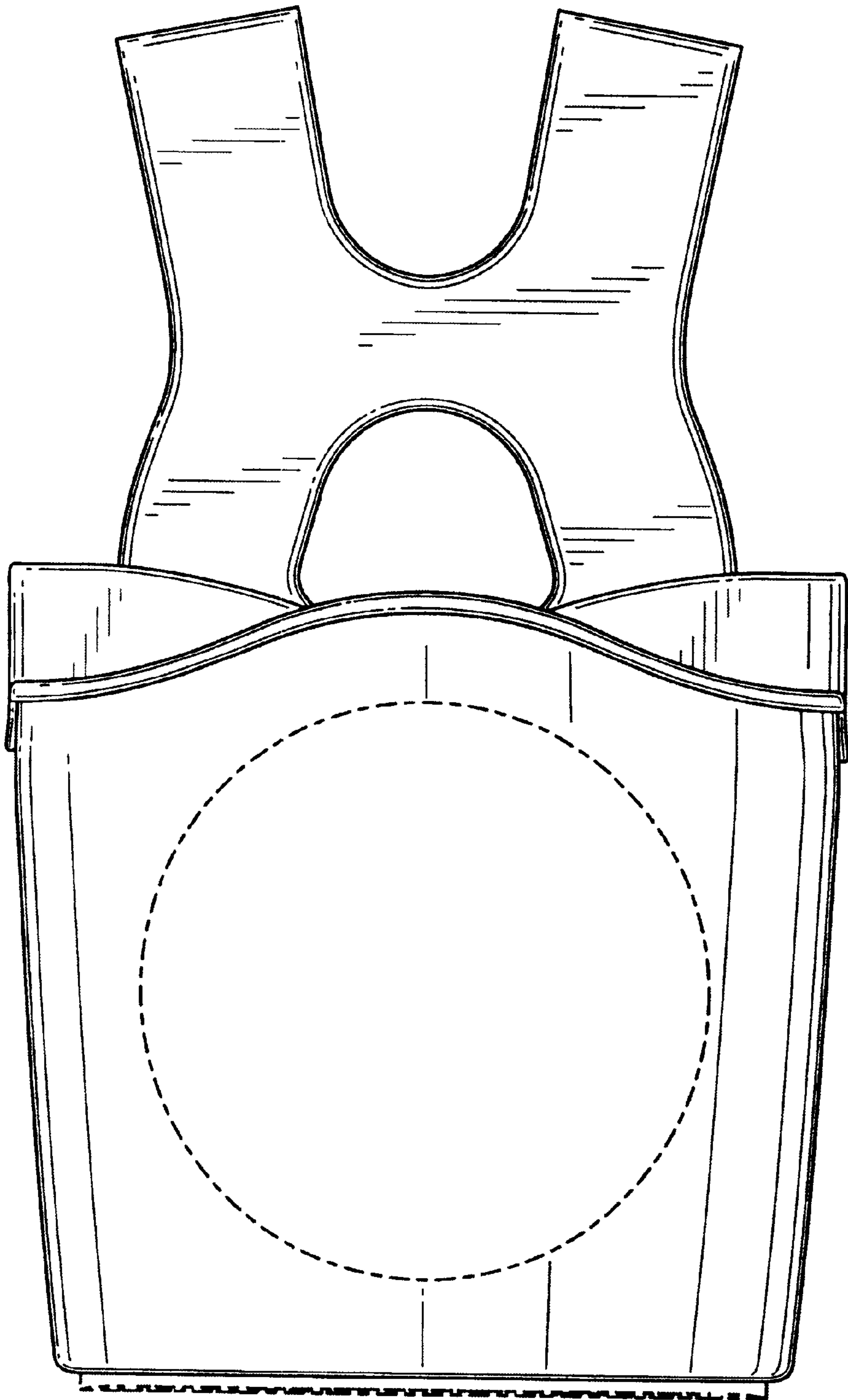


FIG. 3

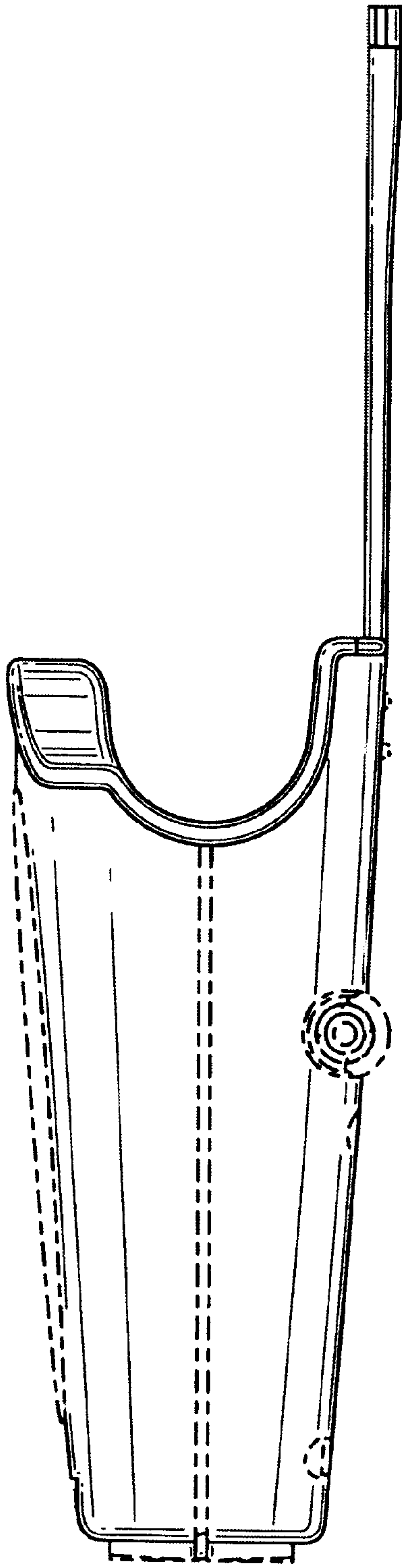


FIG. 4

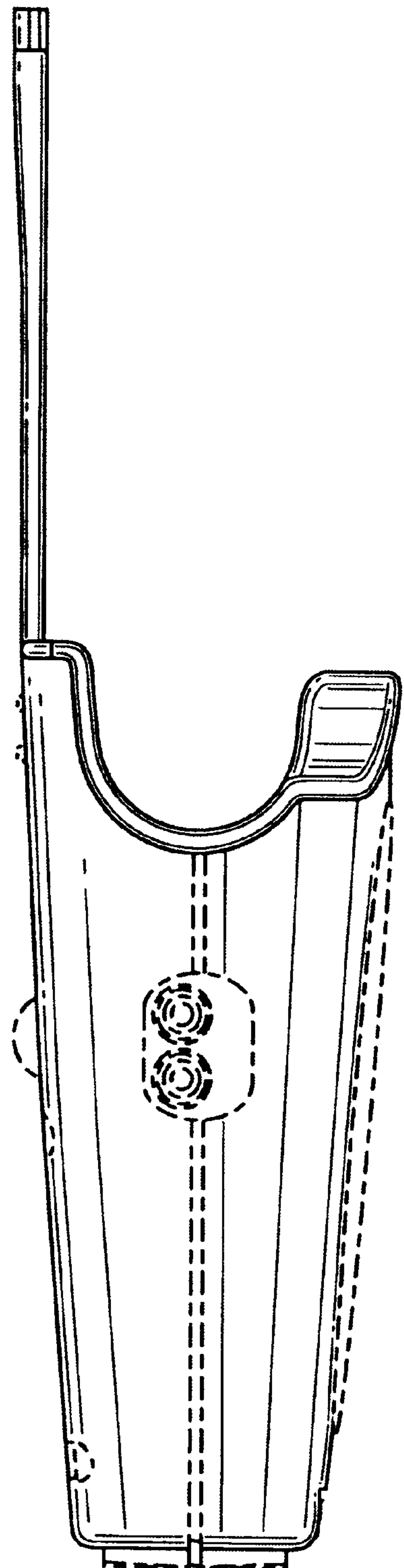


FIG. 5

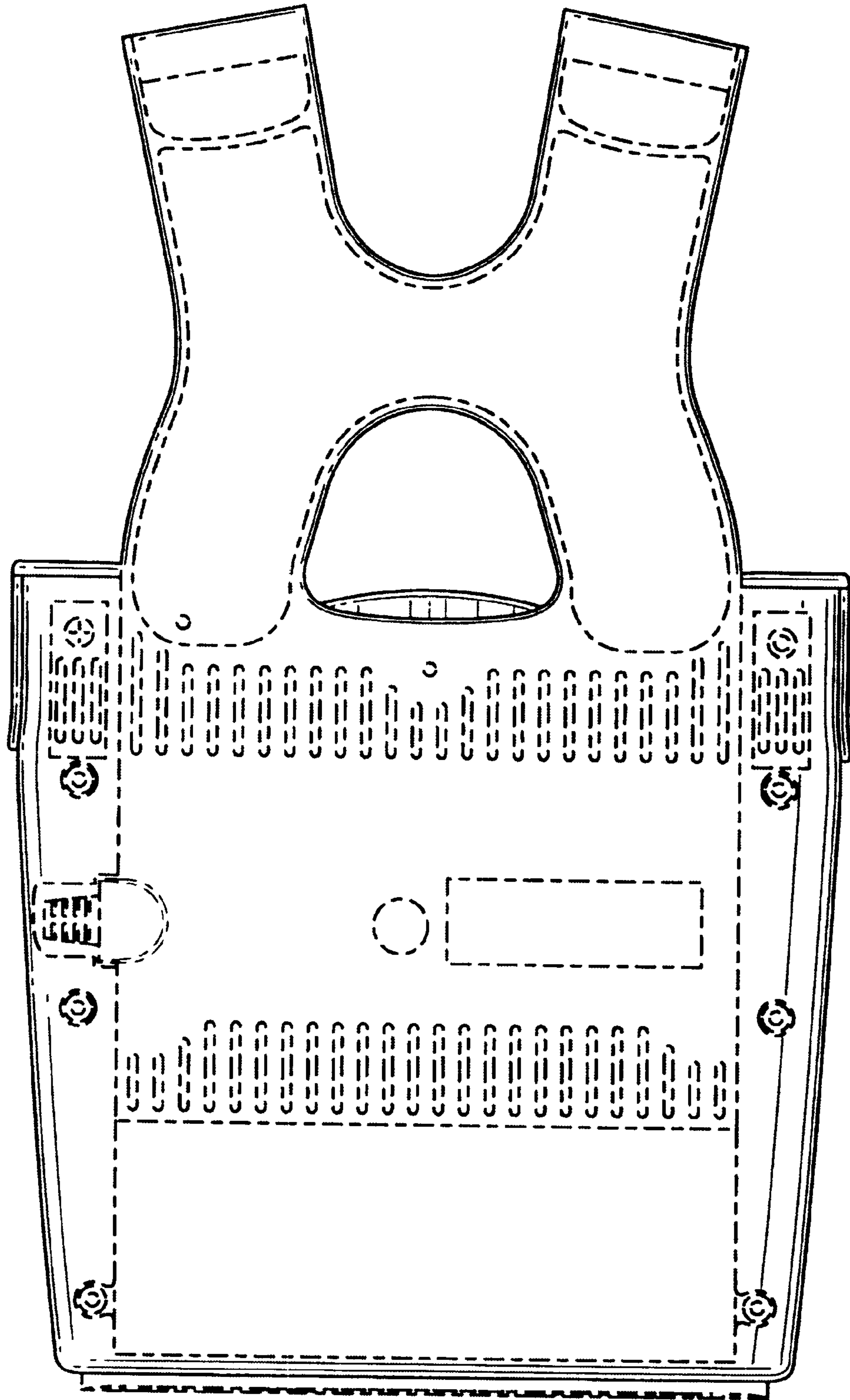


FIG. 6

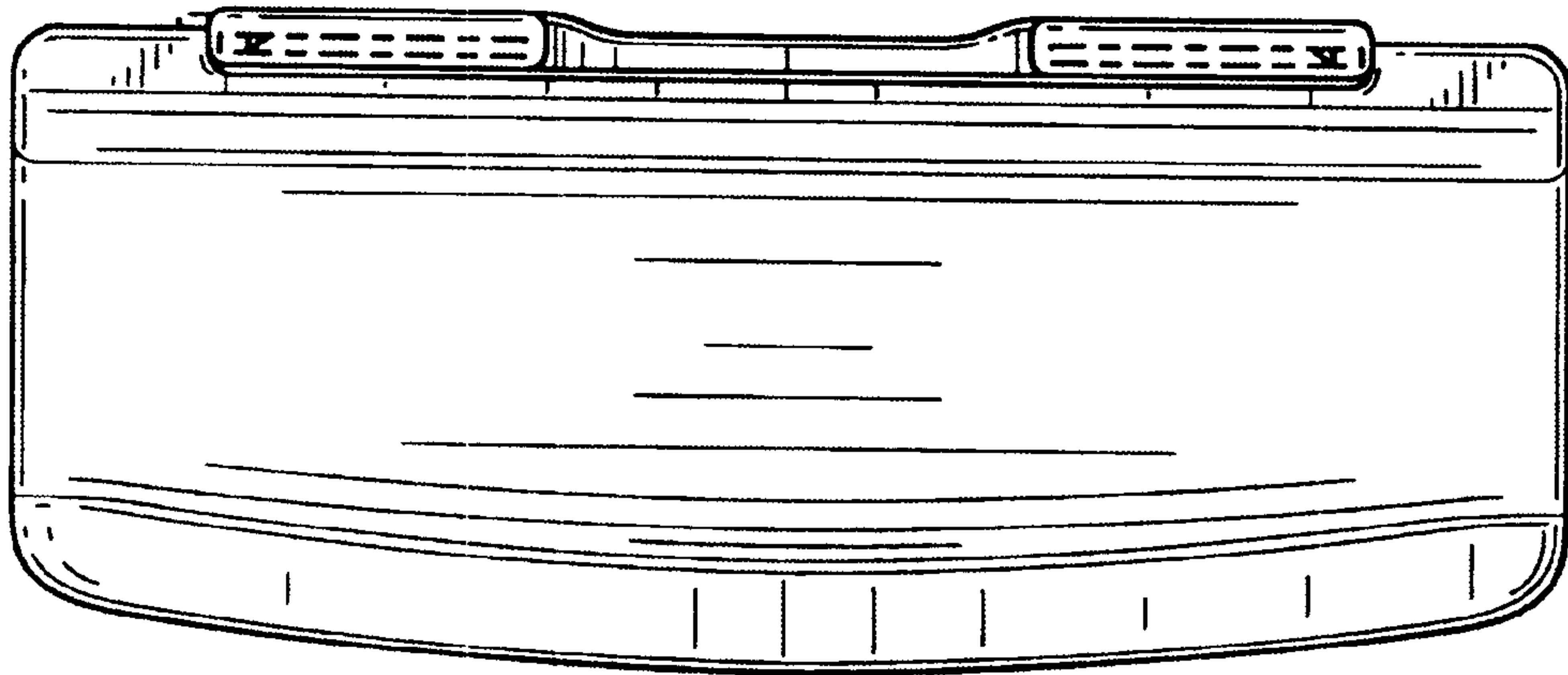


FIG. 7

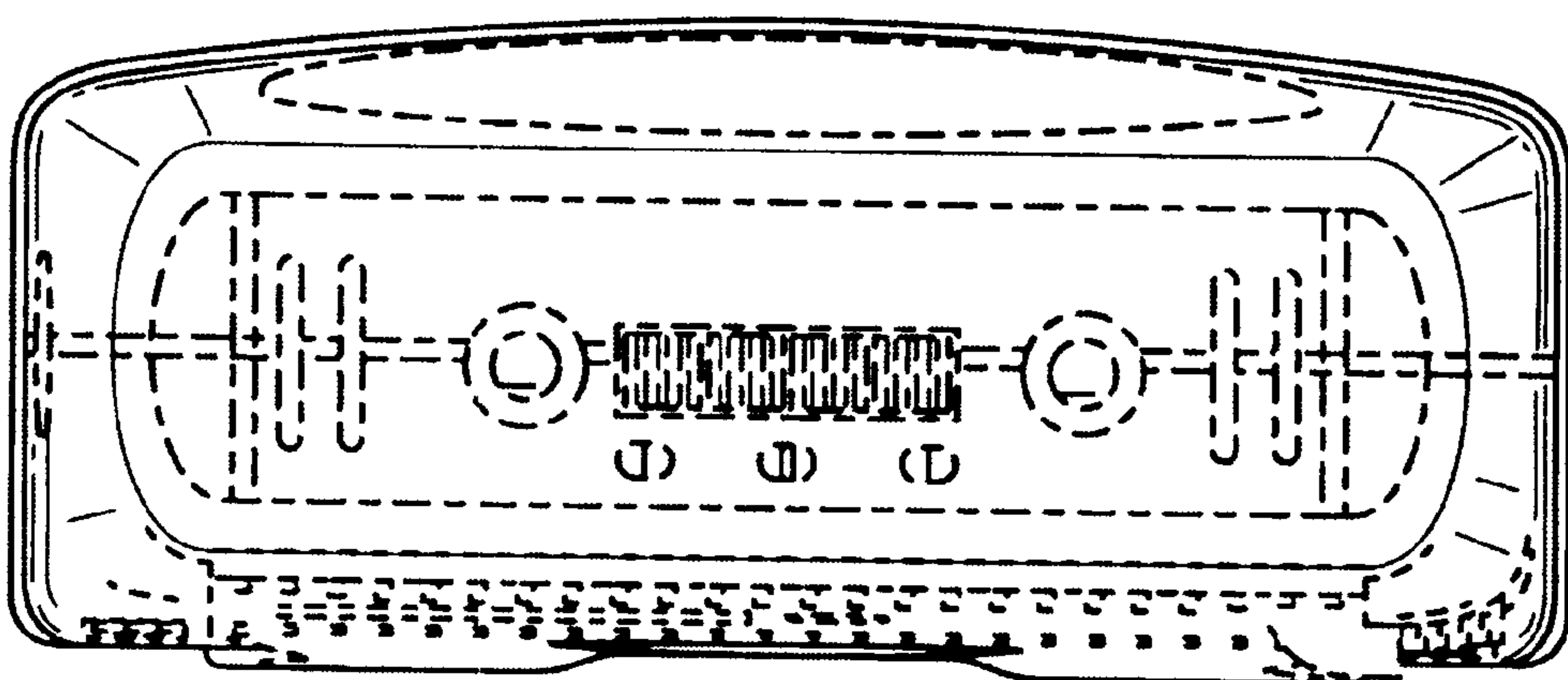


FIG. 8

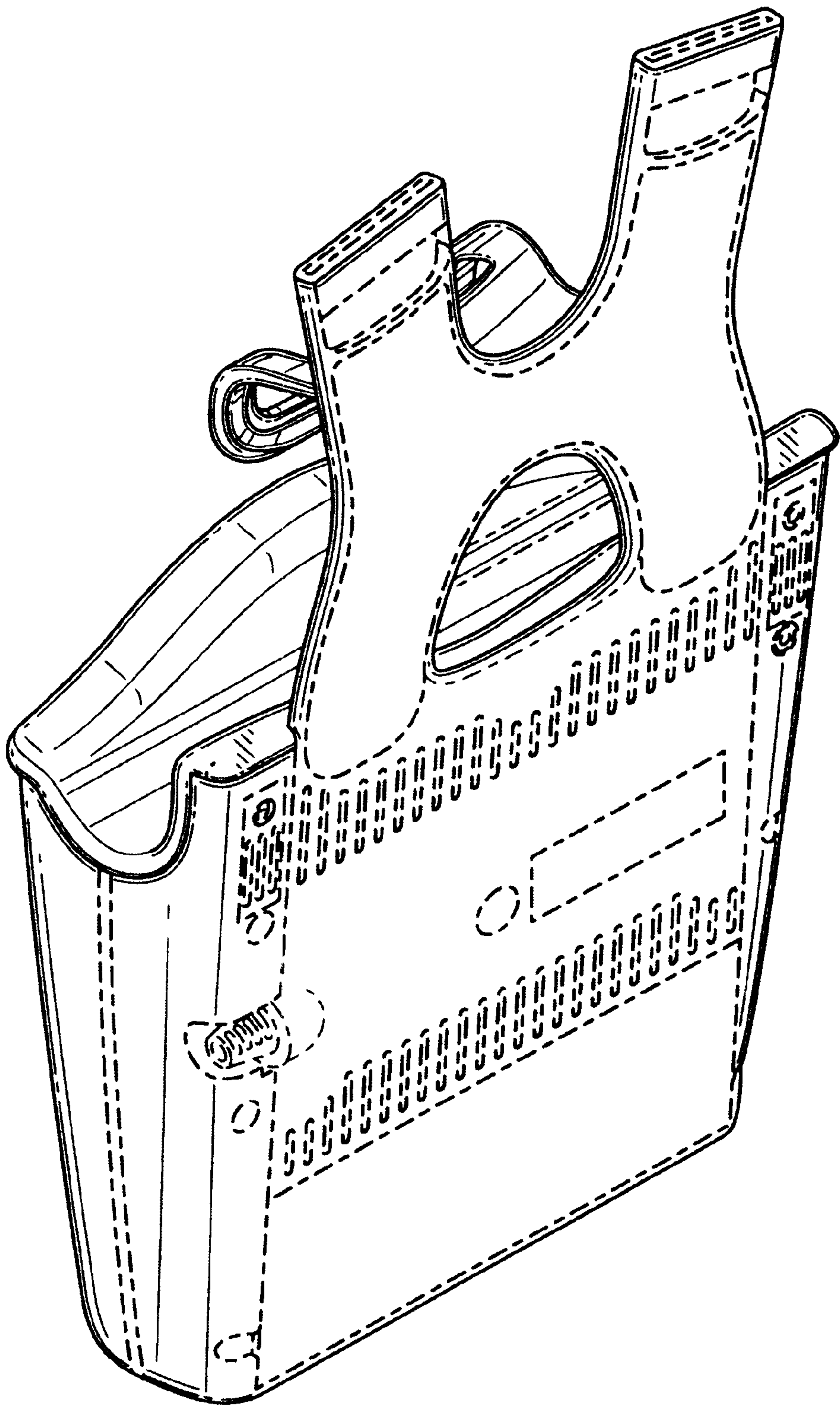


FIG. 9

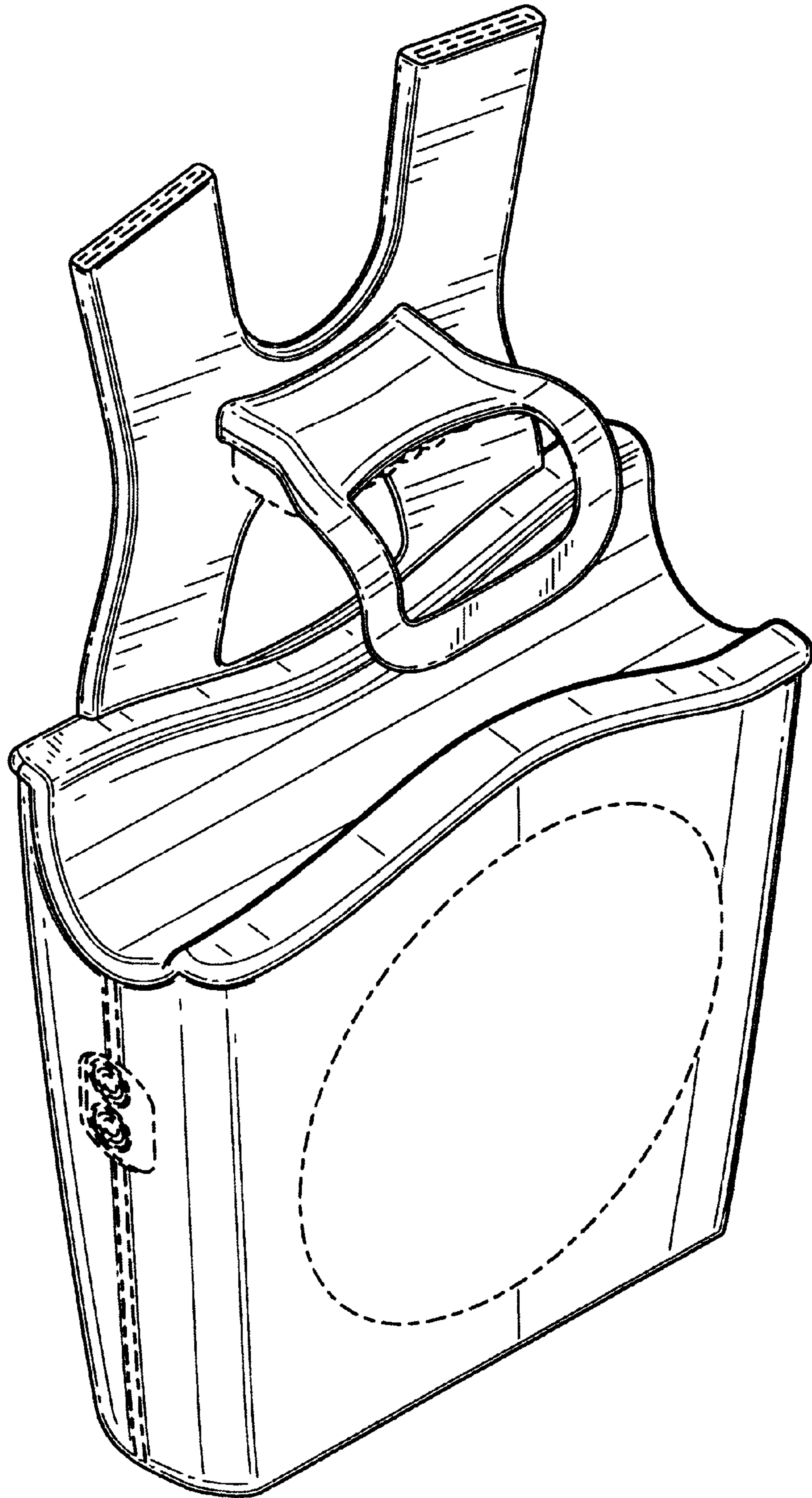


FIG. 10

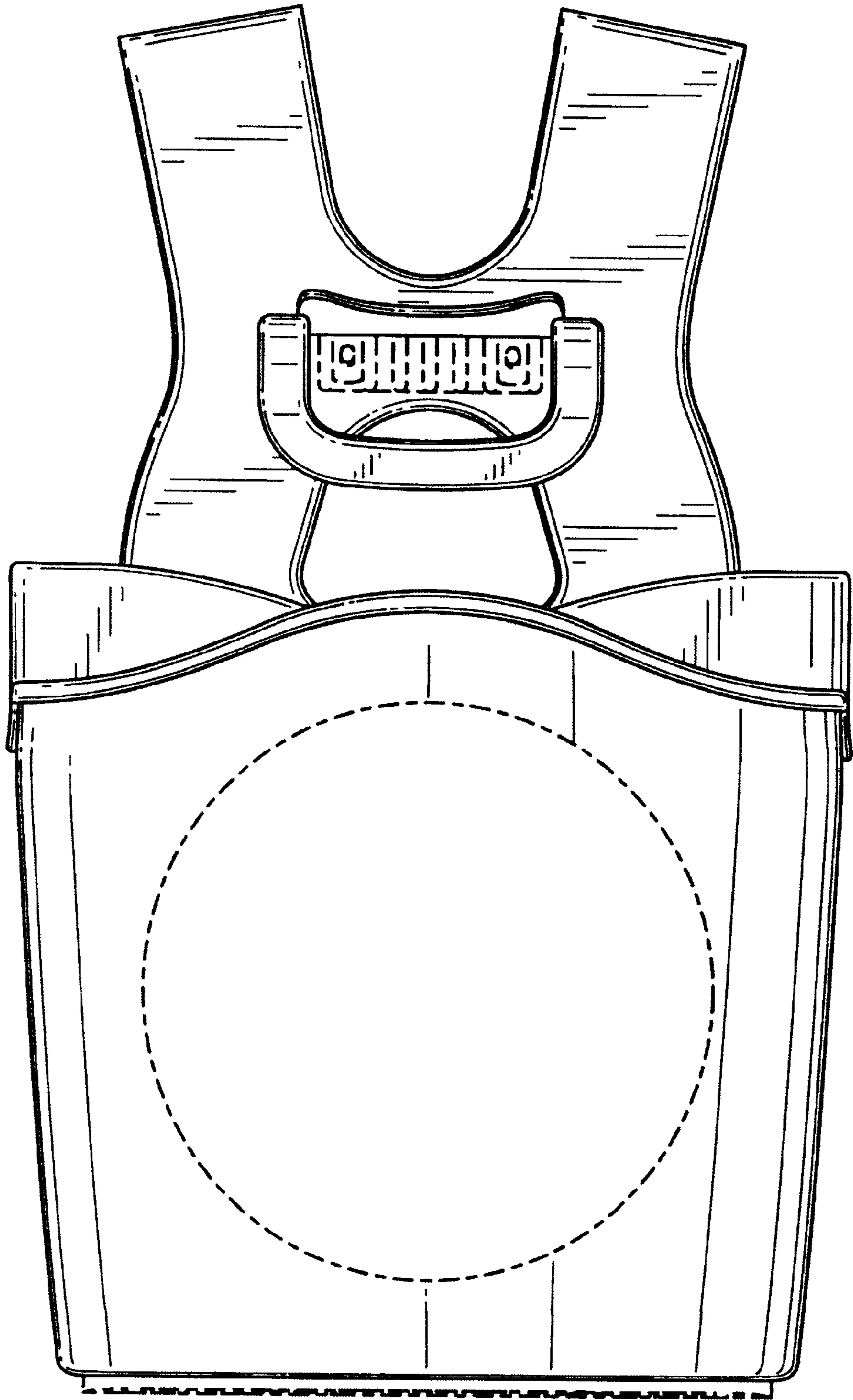


FIG. 11

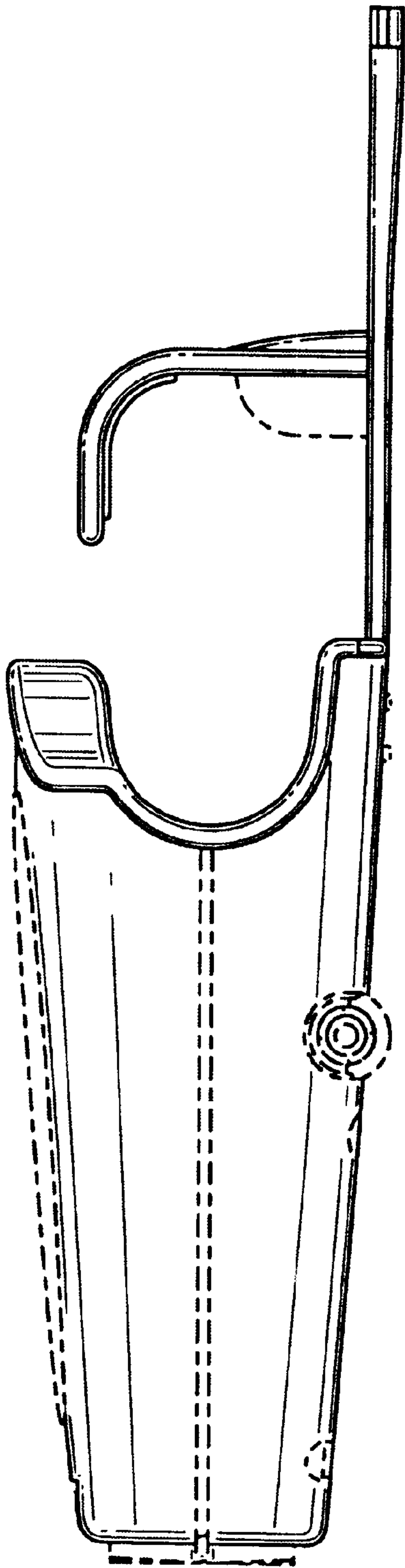


FIG. 12

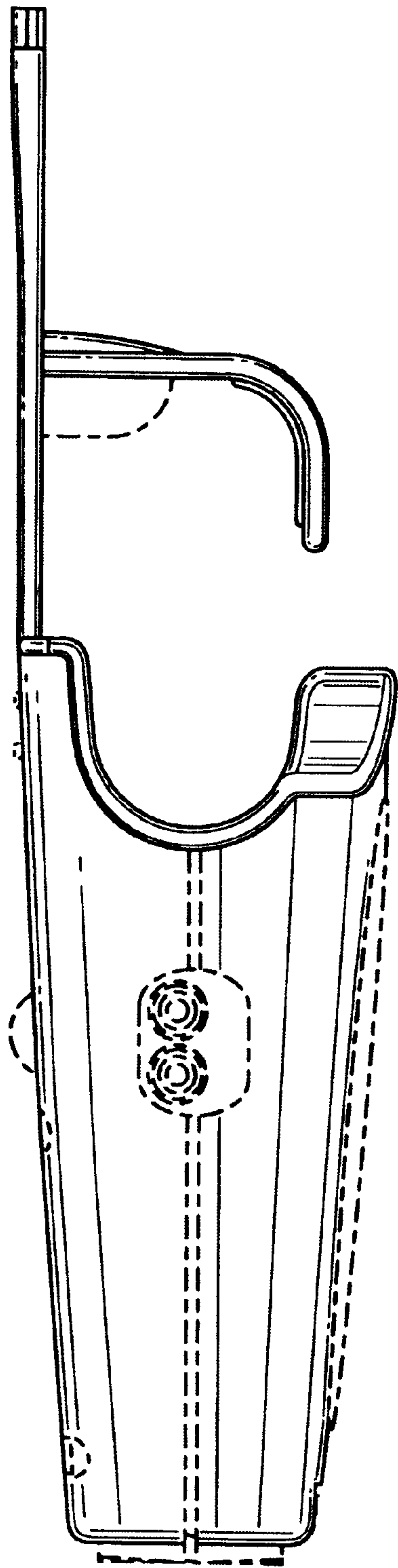


FIG. 13

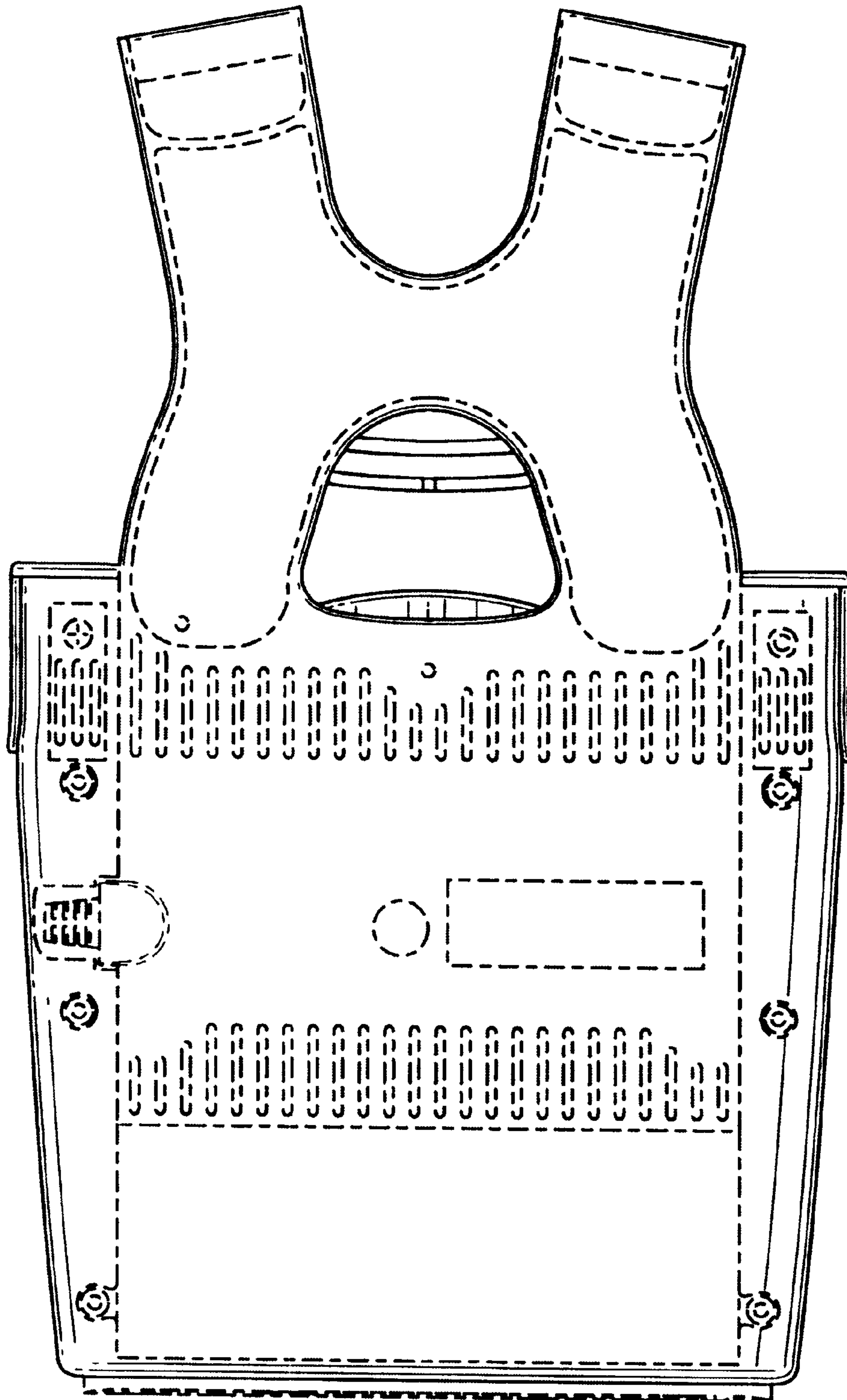


FIG. 14

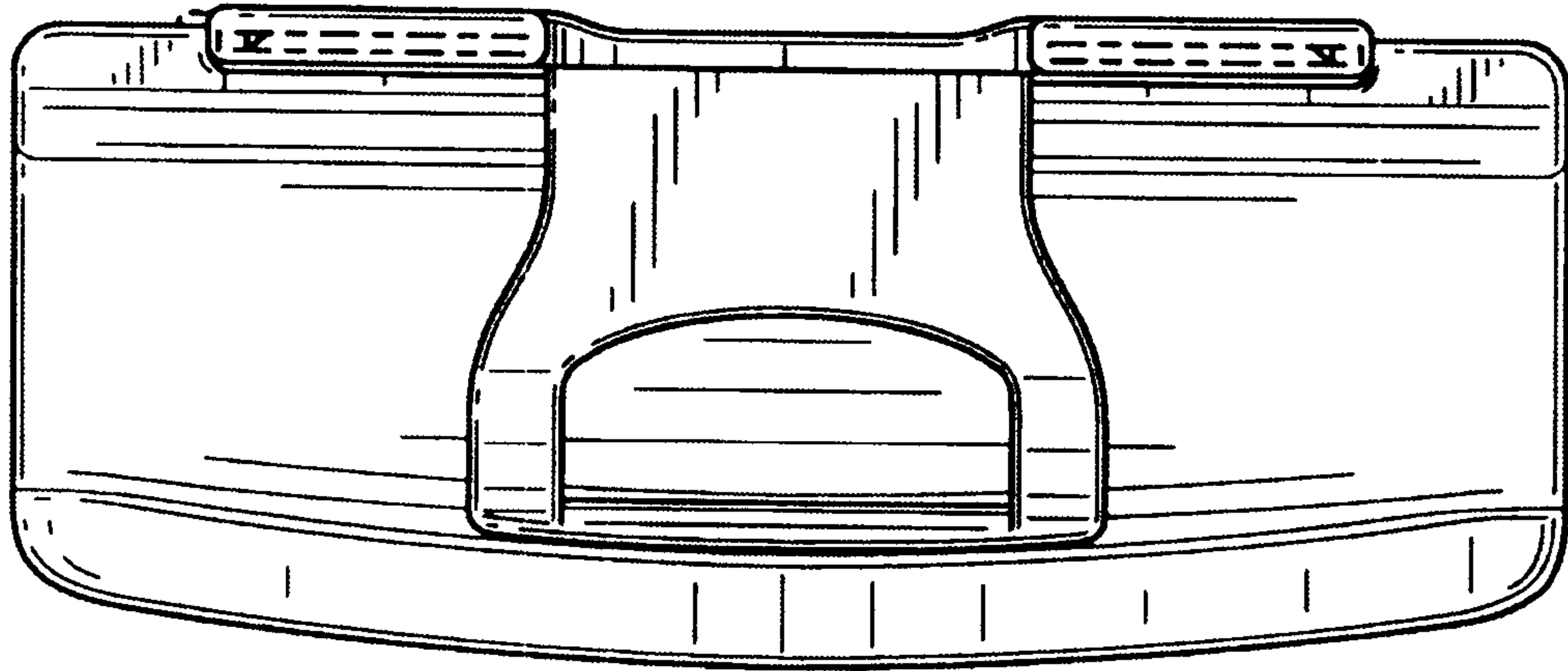


FIG. 15

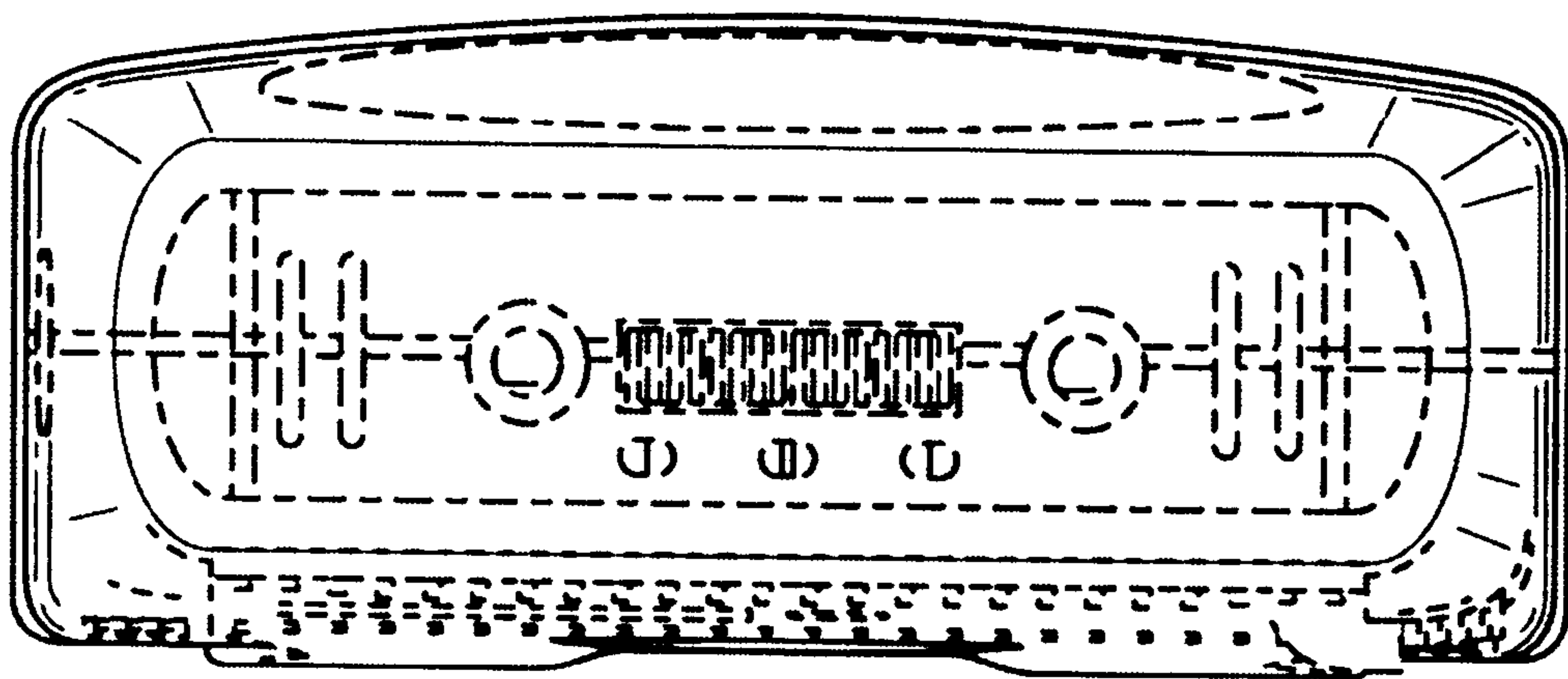


FIG. 16

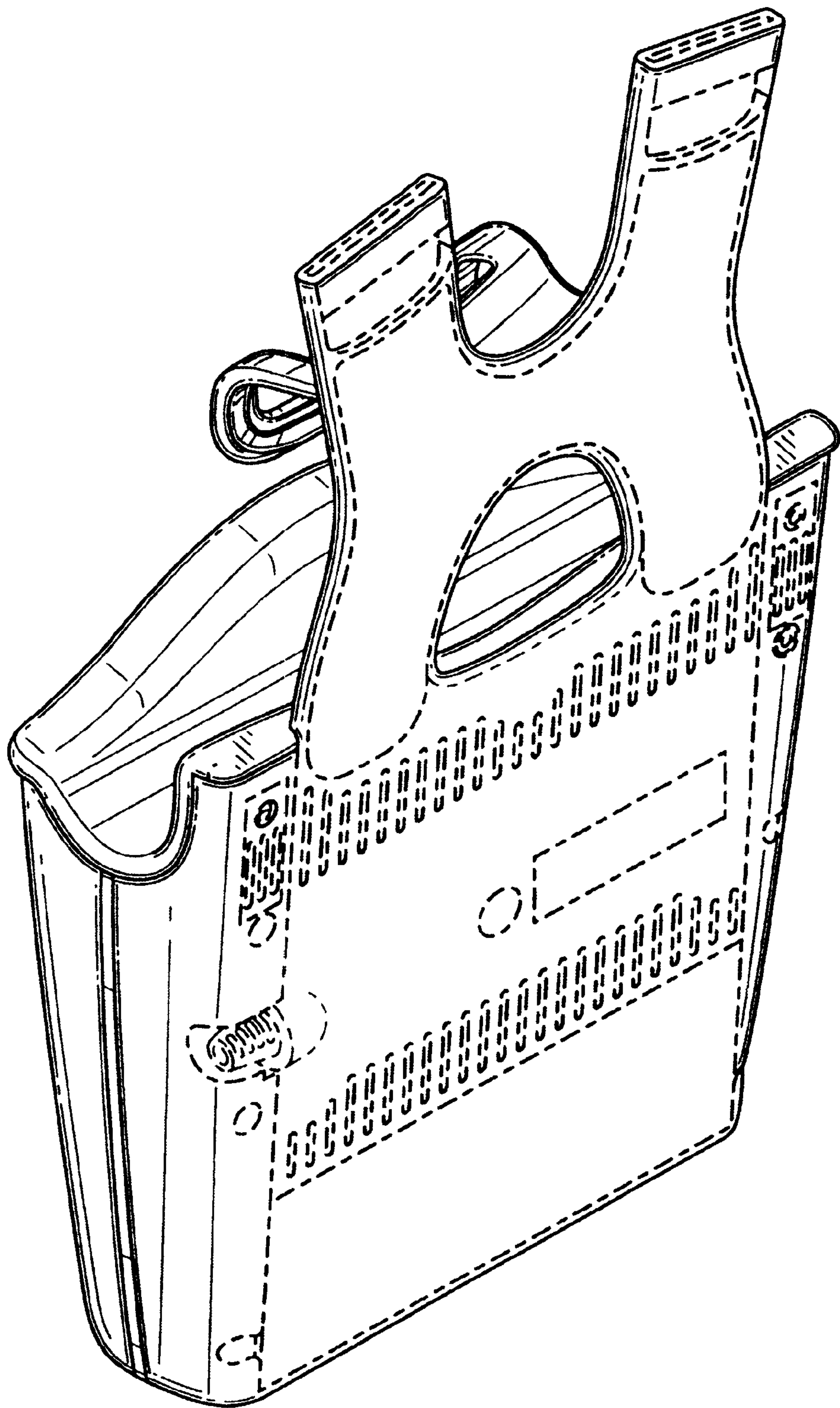


FIG. 17

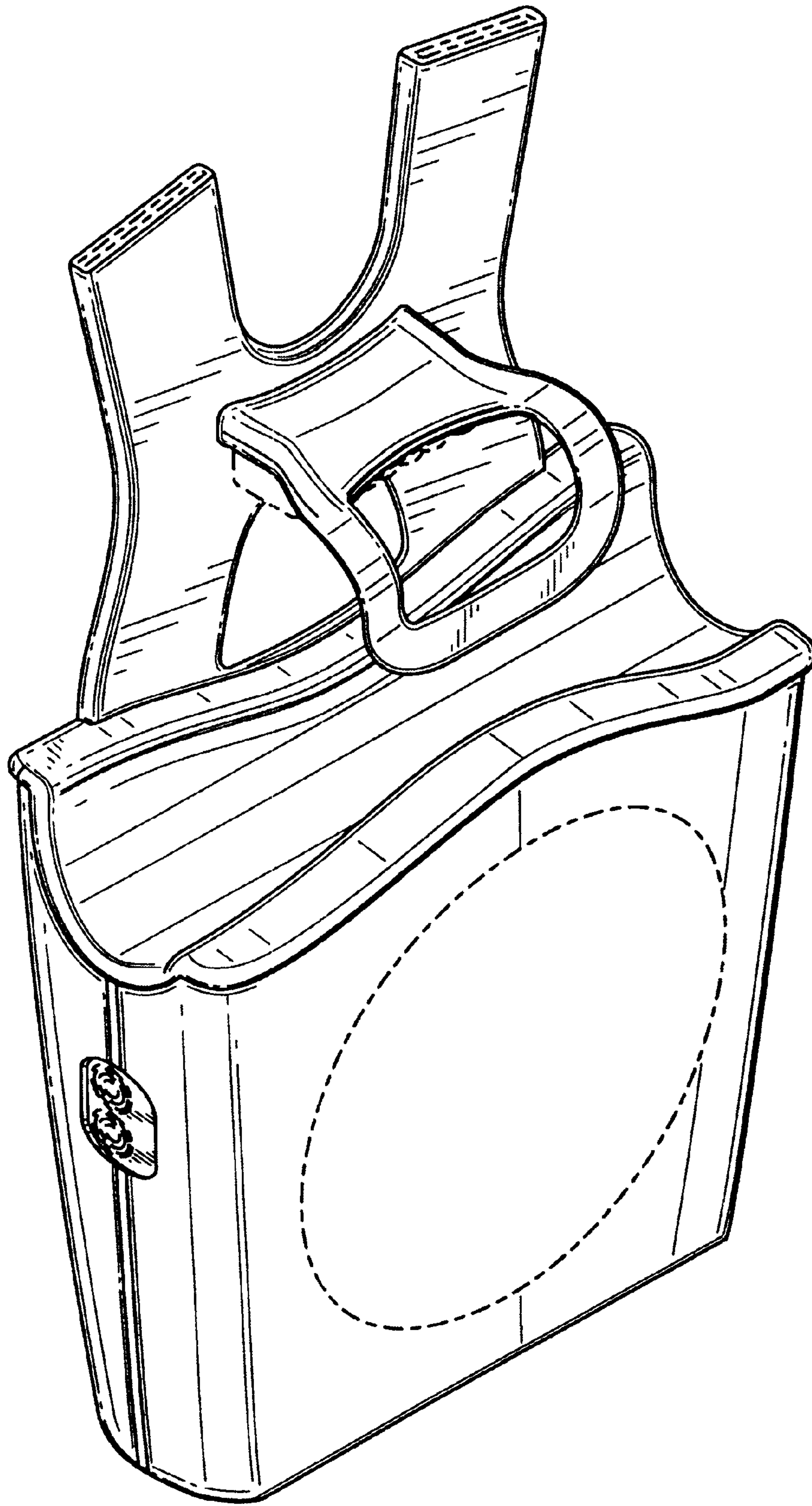


FIG. 18

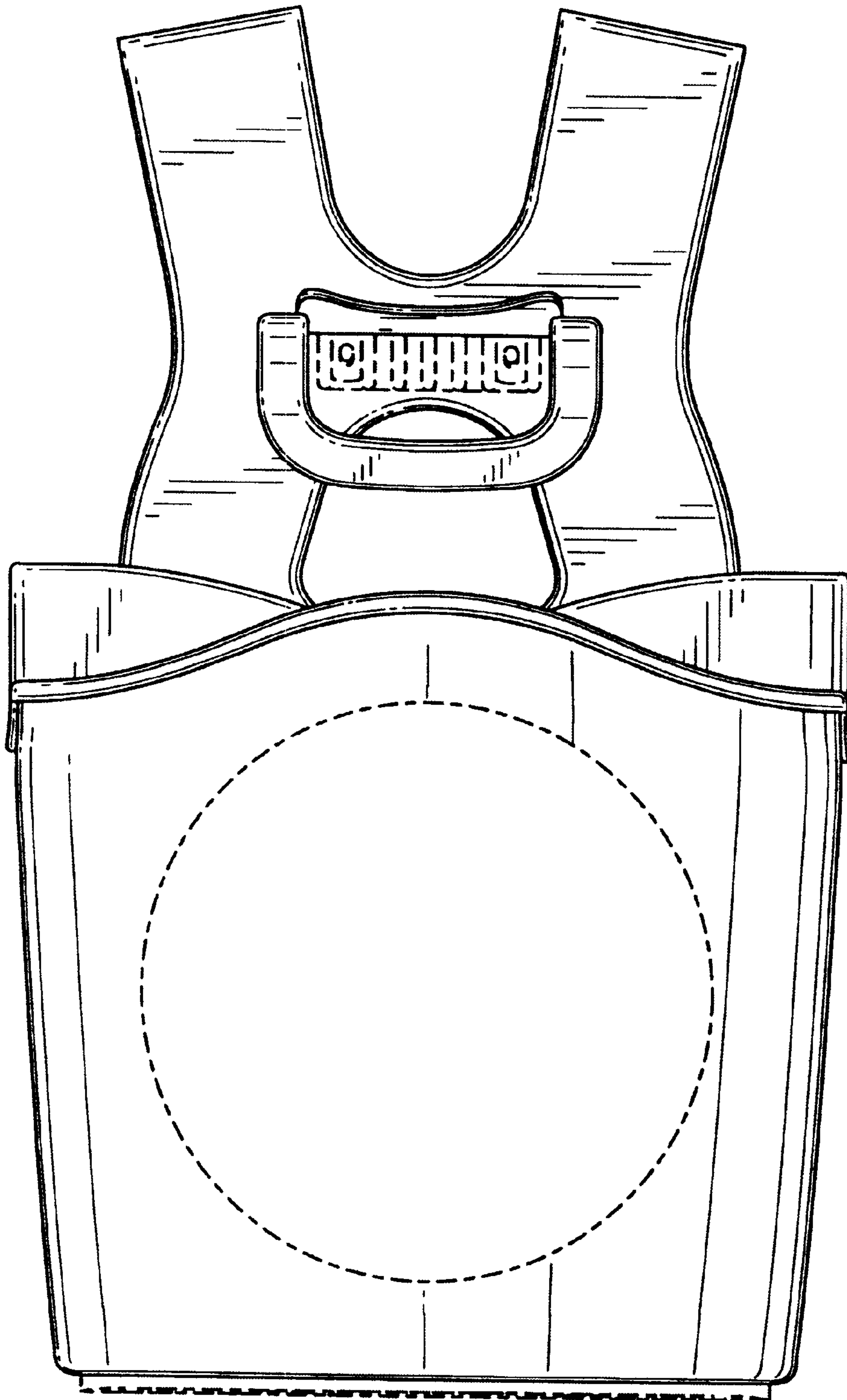


FIG. 19

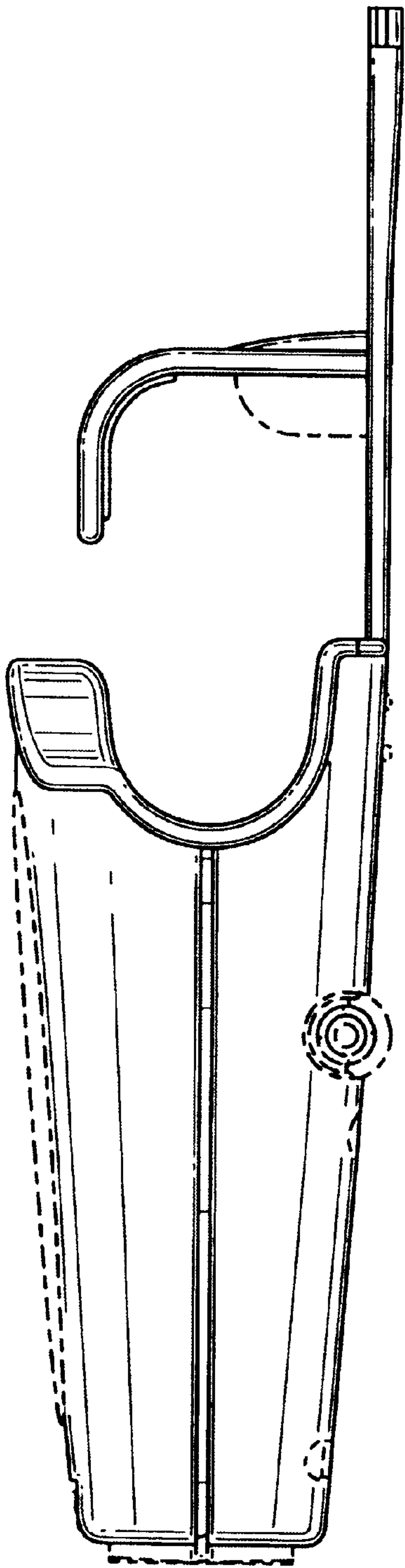


FIG. 20

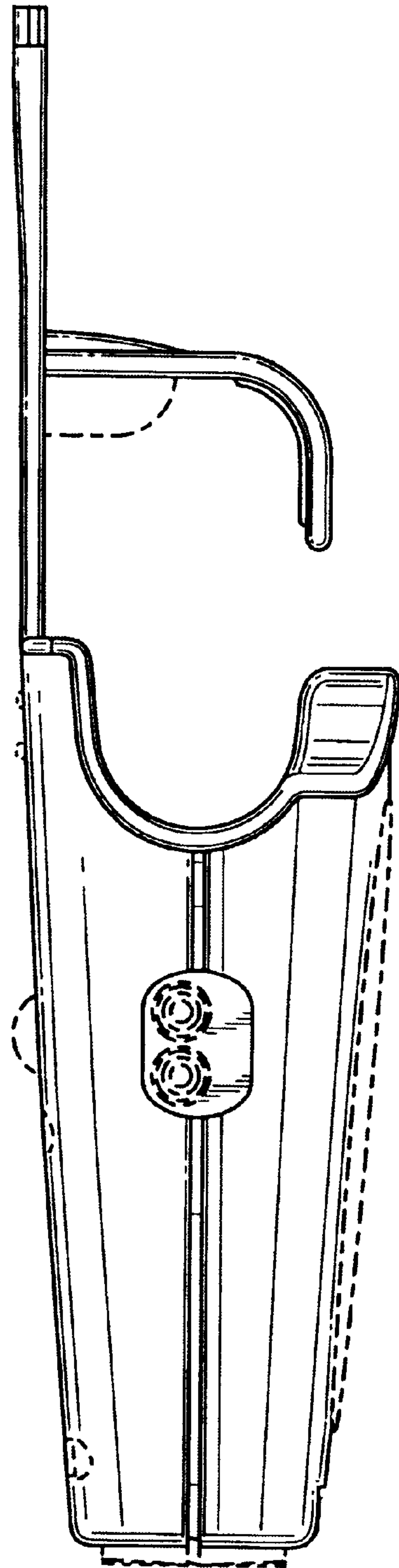


FIG. 21

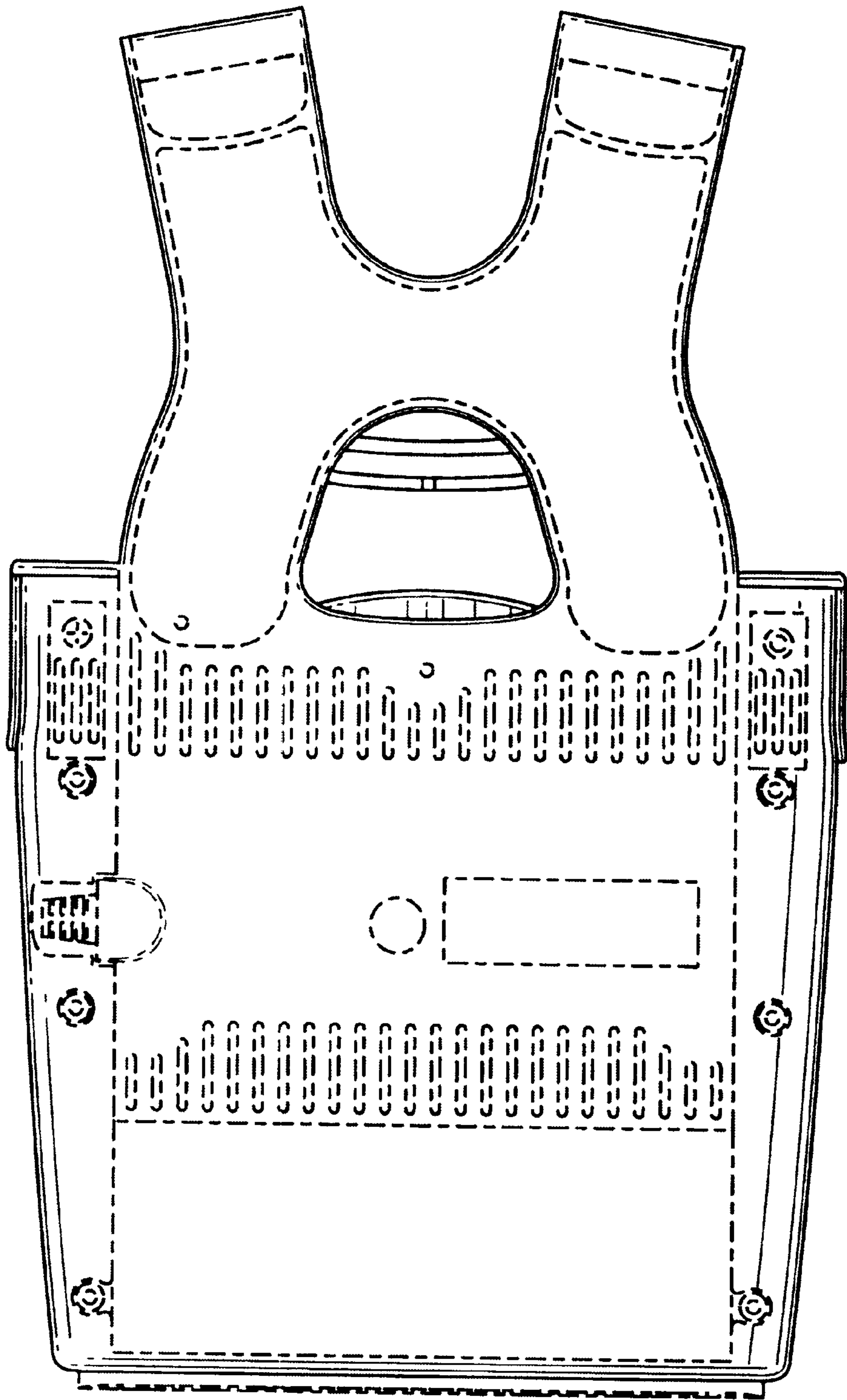


FIG. 22

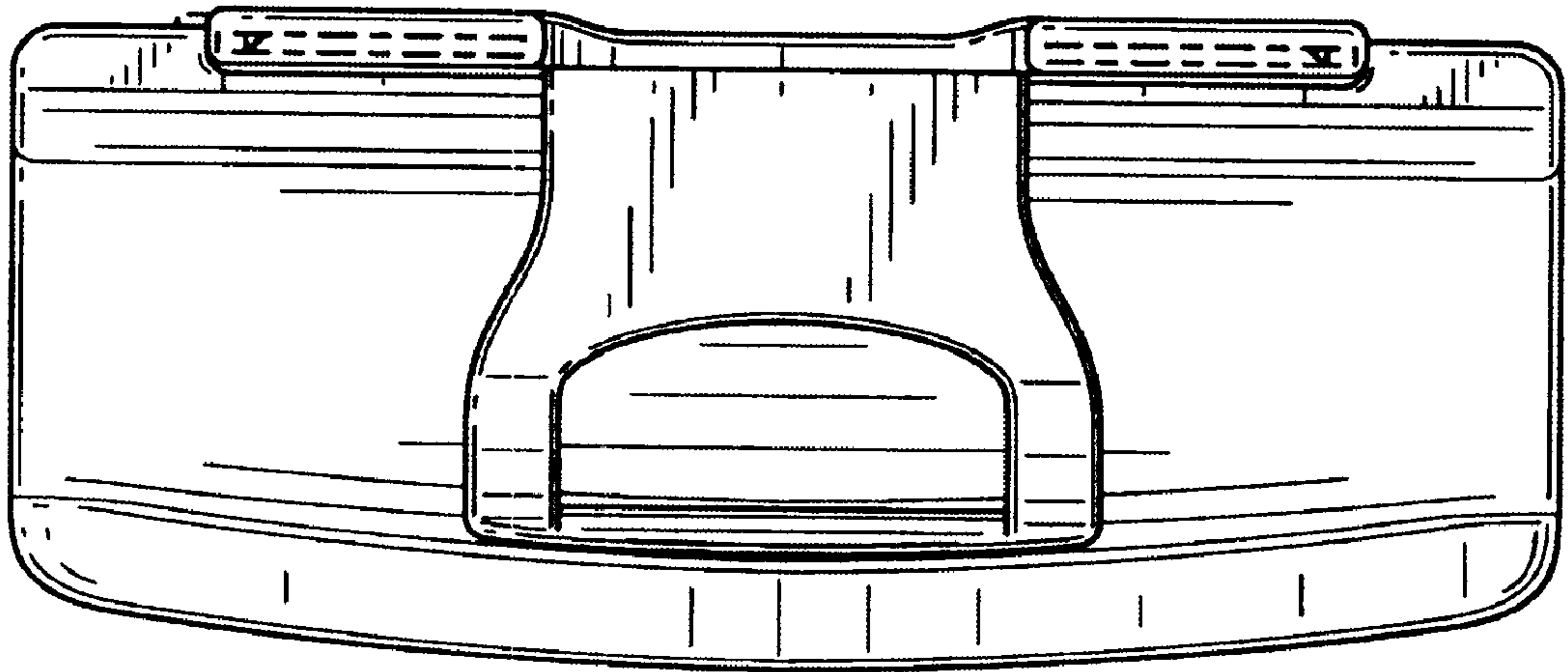


FIG. 23

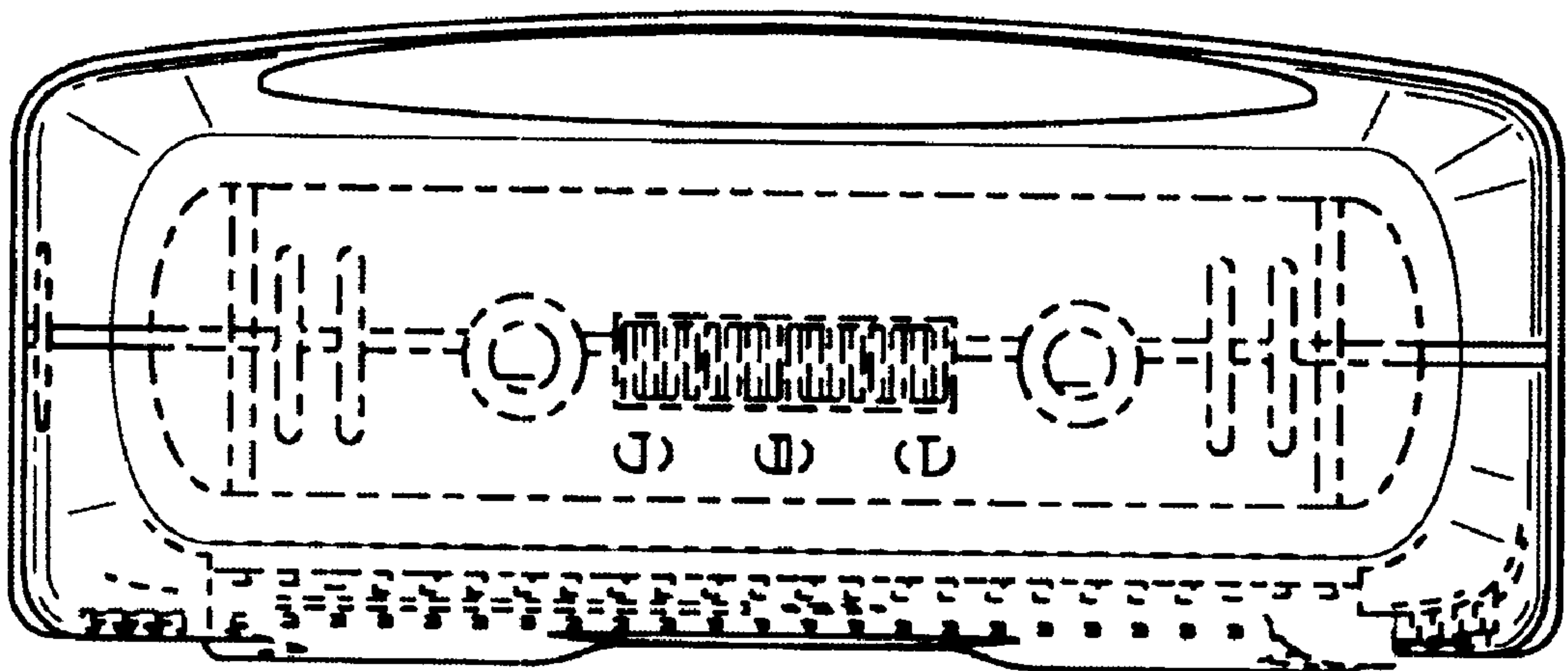


FIG. 24

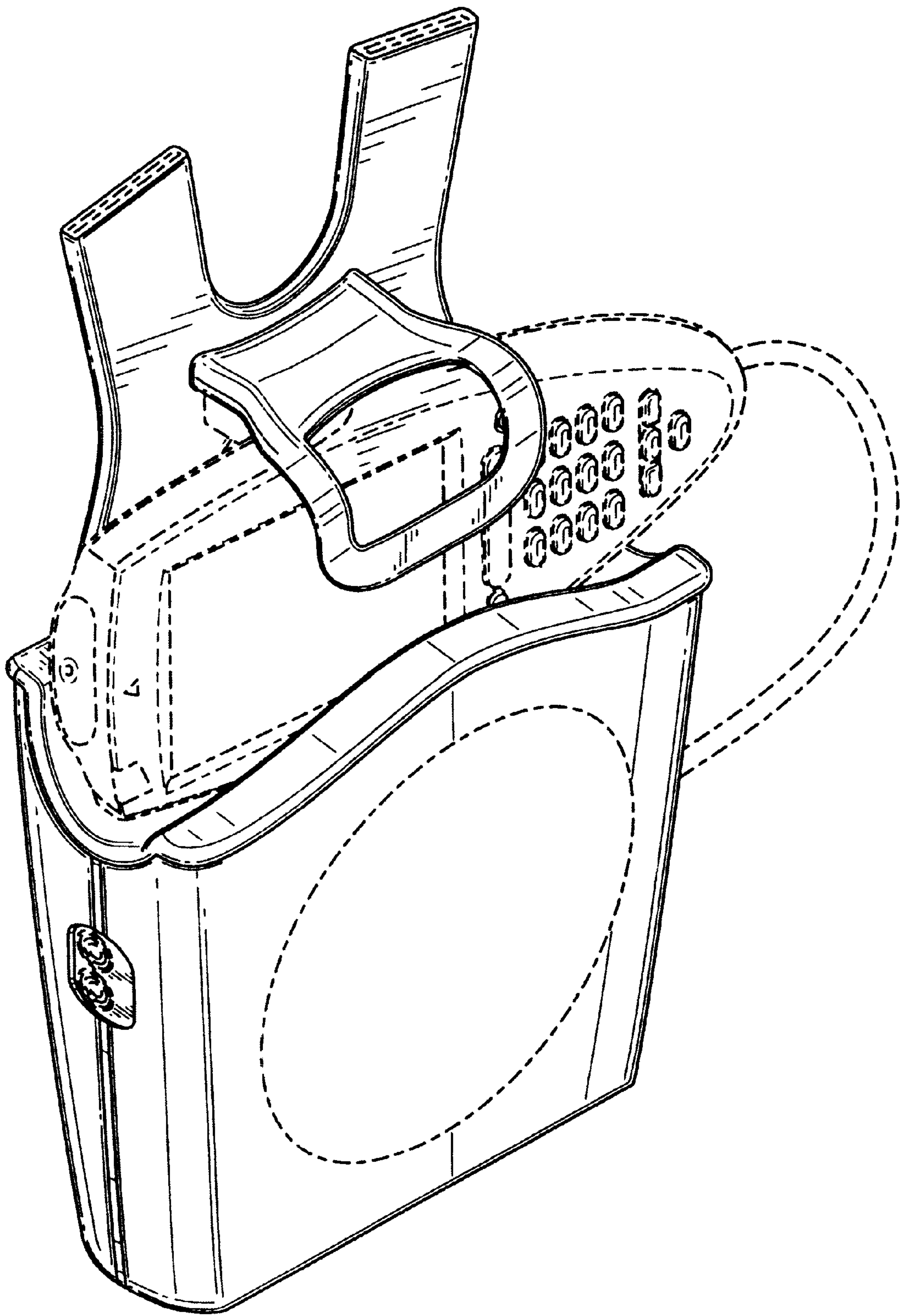


FIG. 25