



US00D452358B1

(12) **United States Design Patent**  
**Lackey et al.**

(10) **Patent No.:** **US D452,358 S**

(45) **Date of Patent:** **\*\* Dec. 18, 2001**

(54) **NESTABLE MAILBOX**

(75) Inventors: **Robert W. Lackey**, Hickory; **Robert C. Beckman**, Vale, both of NC (US); **Gregory A. Harris**, Tacoma, WA (US)

(73) Assignee: **Home Impressions**, Hickory, NC (US)

(\*\*) Term: **14 Years**

(21) Appl. No.: **29/125,082**

(22) Filed: **Jun. 16, 2000**

**Related U.S. Application Data**

(63) Continuation of application No. PCT/US98/17505, filed on Aug. 24, 1998.

(51) **LOC (7) Cl.** ..... **99-00**

(52) **U.S. Cl.** ..... **D99/29**

(58) **Field of Search** ..... D99/29, 31, 32, D99/33; 232/17, 32, 33, 34, 35, 38, 43, 4

(56) **References Cited**

**U.S. PATENT DOCUMENTS**

- D. 292,539 \* 10/1987 Harlow, Jr. et al. .... D99/29
- D. 365,189 \* 12/1995 Dennis ..... D99/29
- D. 376,463 \* 12/1996 Polley et al. .... D99/29
- D. 385,677 \* 10/1997 Vivirito, Jr. .... D99/29
- 1,992,640 \* 2/1935 Steen ..... 232/17

- 4,600,143 \* 7/1986 Harlow, Jr. et al. .... 232/17
- 5,575,422 \* 11/1996 Peterman ..... 232/38
- 5,765,749 \* 6/1998 Harper ..... 232/38

\* cited by examiner

*Primary Examiner*—Paula A. Mortimer

(74) *Attorney, Agent, or Firm*—J. Herbert O’Toole; Nexsen Pruet Jacobs & Pollard, LLC

(57) **CLAIM**

The ornamental design for a nestable mailbox, as shown and described.

**DESCRIPTION**

FIG. 1 is a front elevational view of a nestable mailbox showing my new design;

FIG. 2 is a rear elevational view thereof;

FIG. 3 is a front perspective view with the door in an open position;

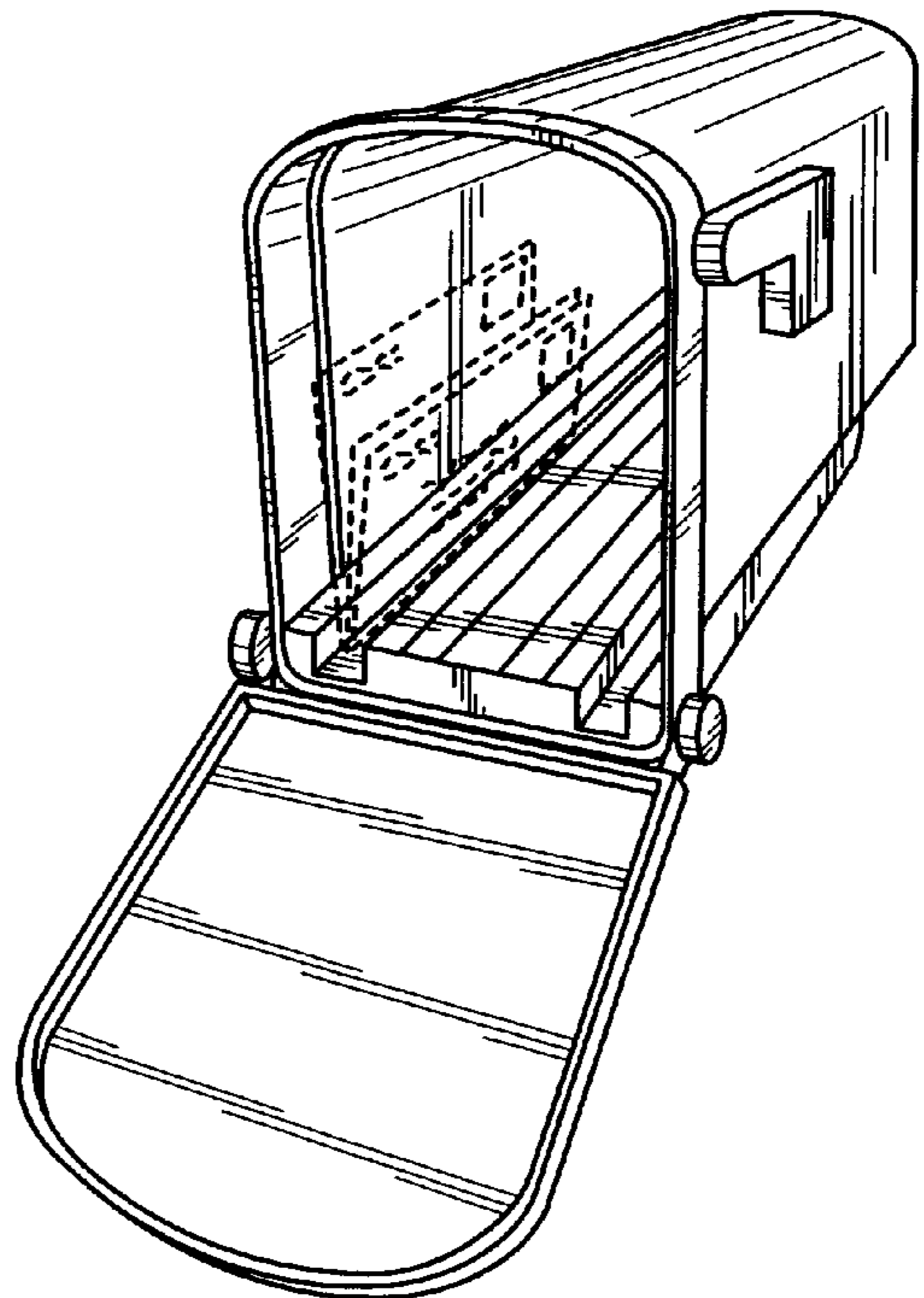
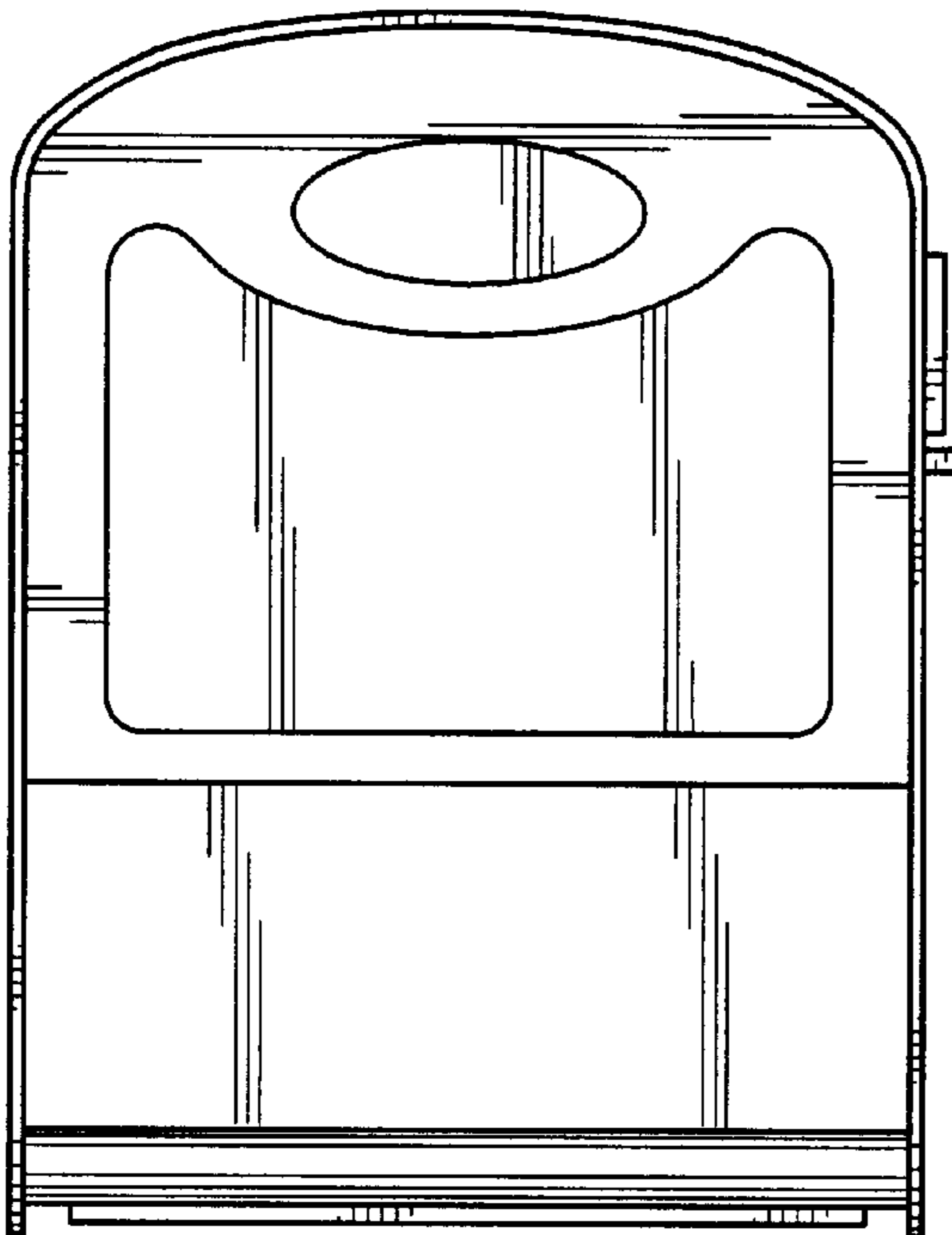
FIG. 4 is a front perspective view thereof;

FIG. 5 is a front elevational view of a second embodiment of a nestable mailbox showing my new design, the undisclosed top, bottom, sides and rear are not part of the claimed design; and,

FIG. 6 is a front elevational view in an open position.

The broken line showing of the letters in FIGS. 3 and 4 is for illustrative purposes only and forms no part of the claimed design.

**1 Claim, 3 Drawing Sheets**



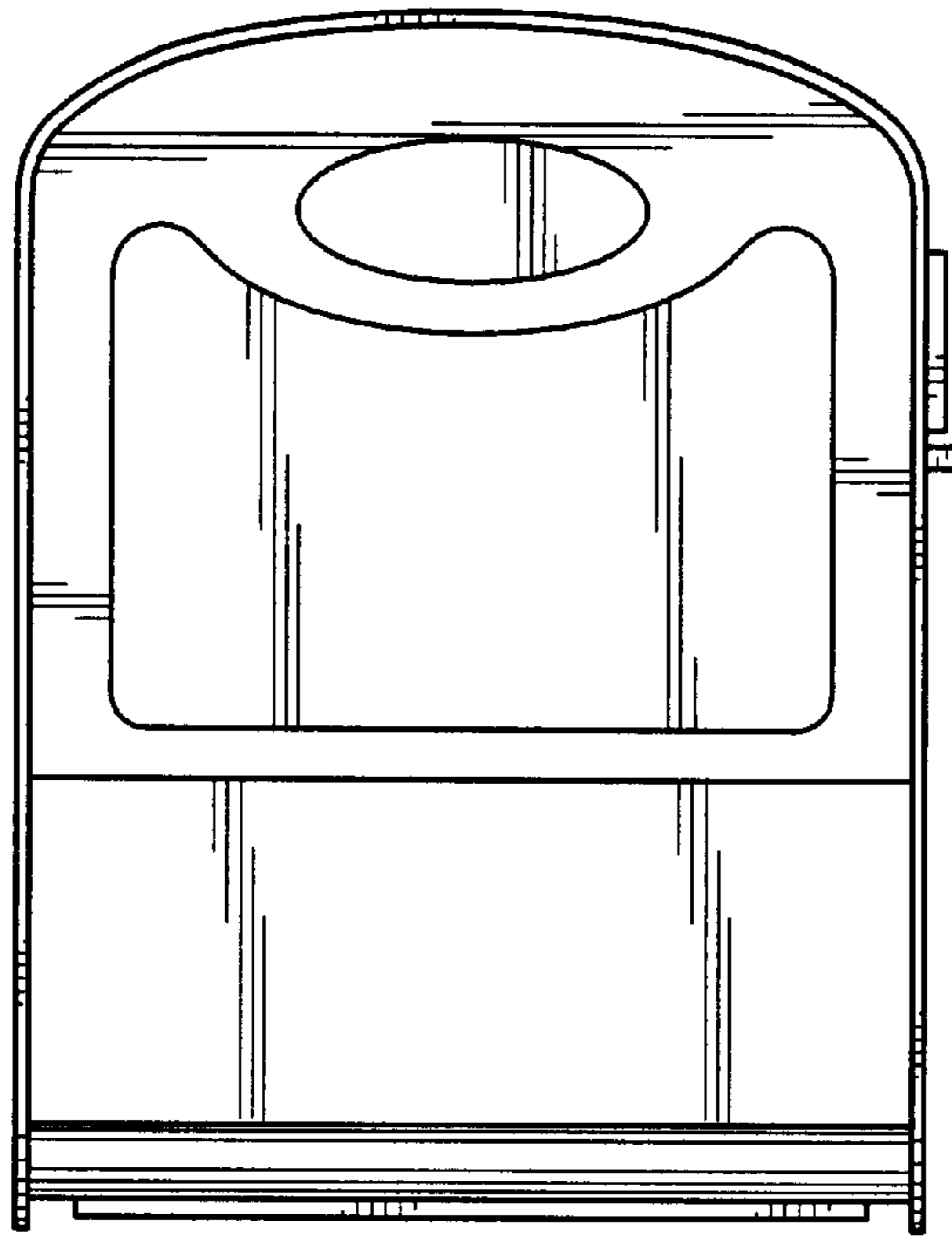


FIG. 1

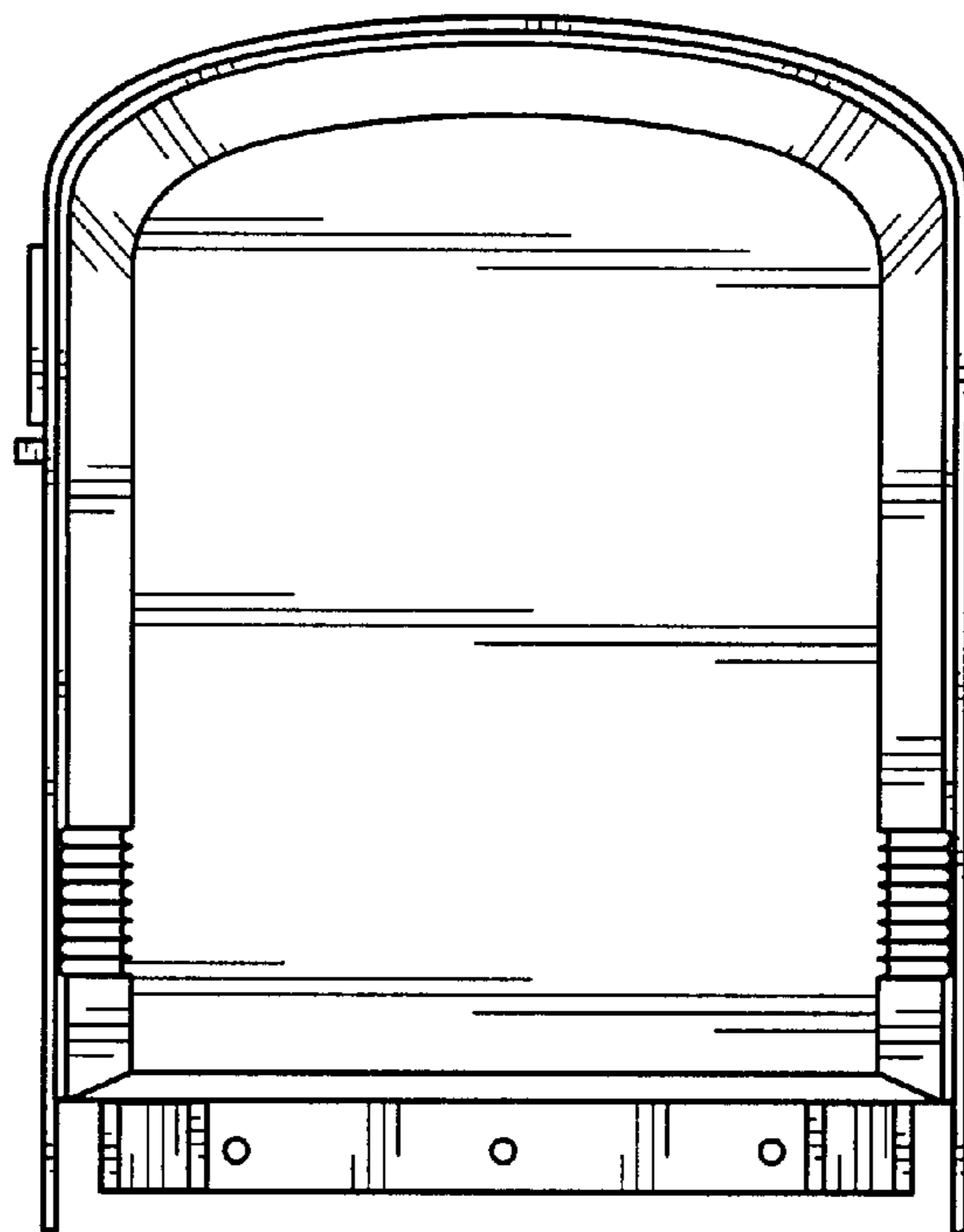


FIG. 2

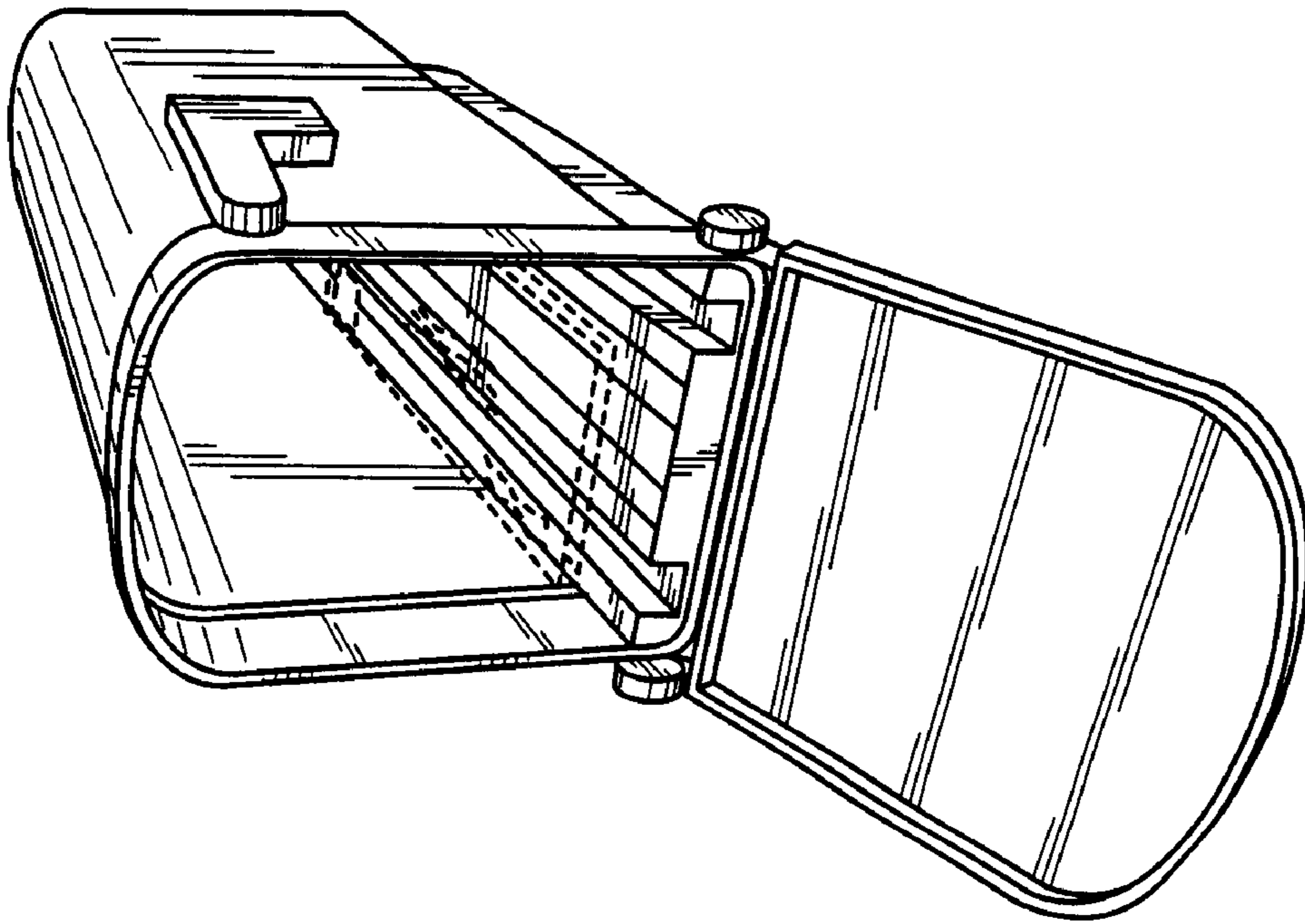


FIG. 4

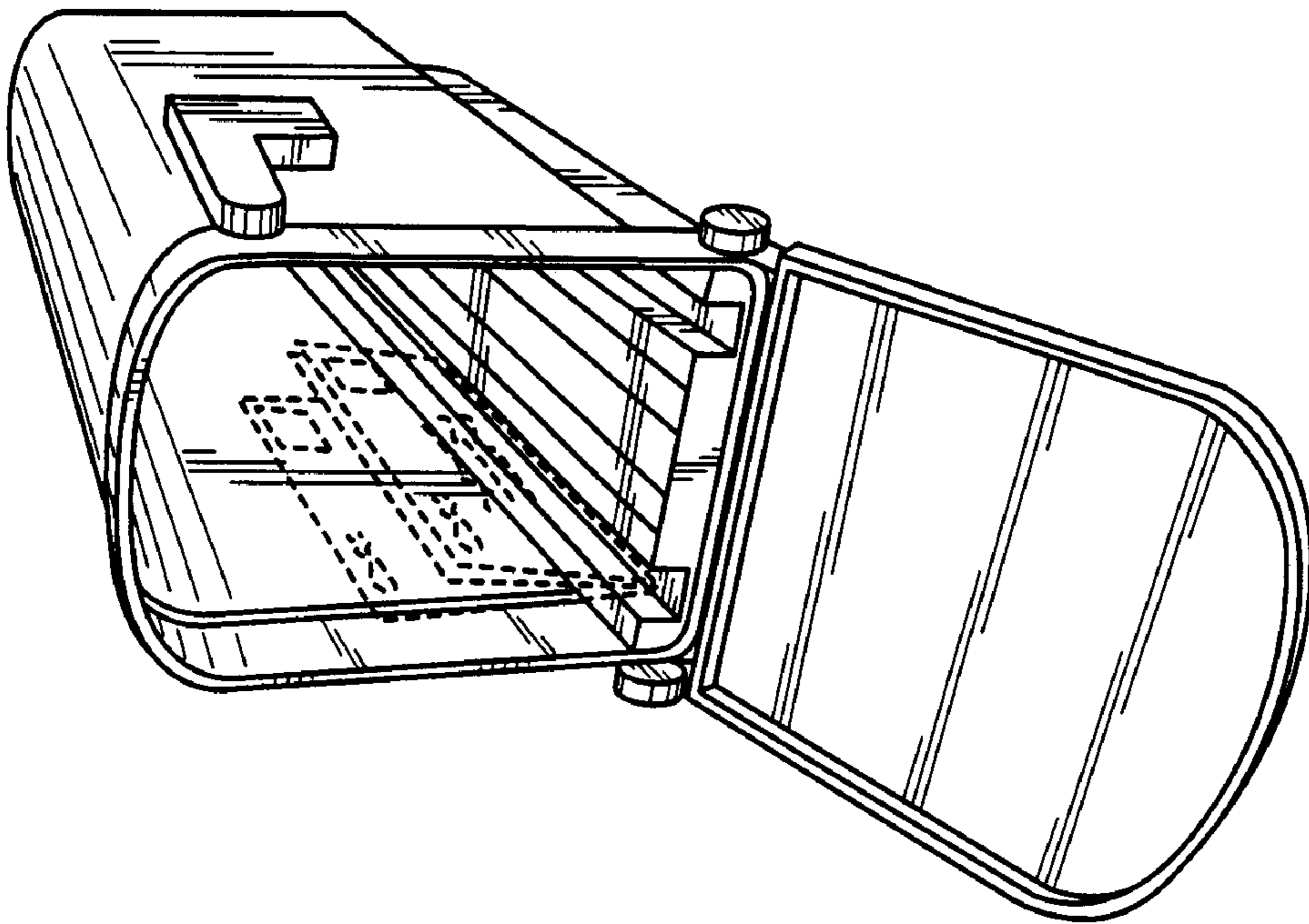


FIG. 3

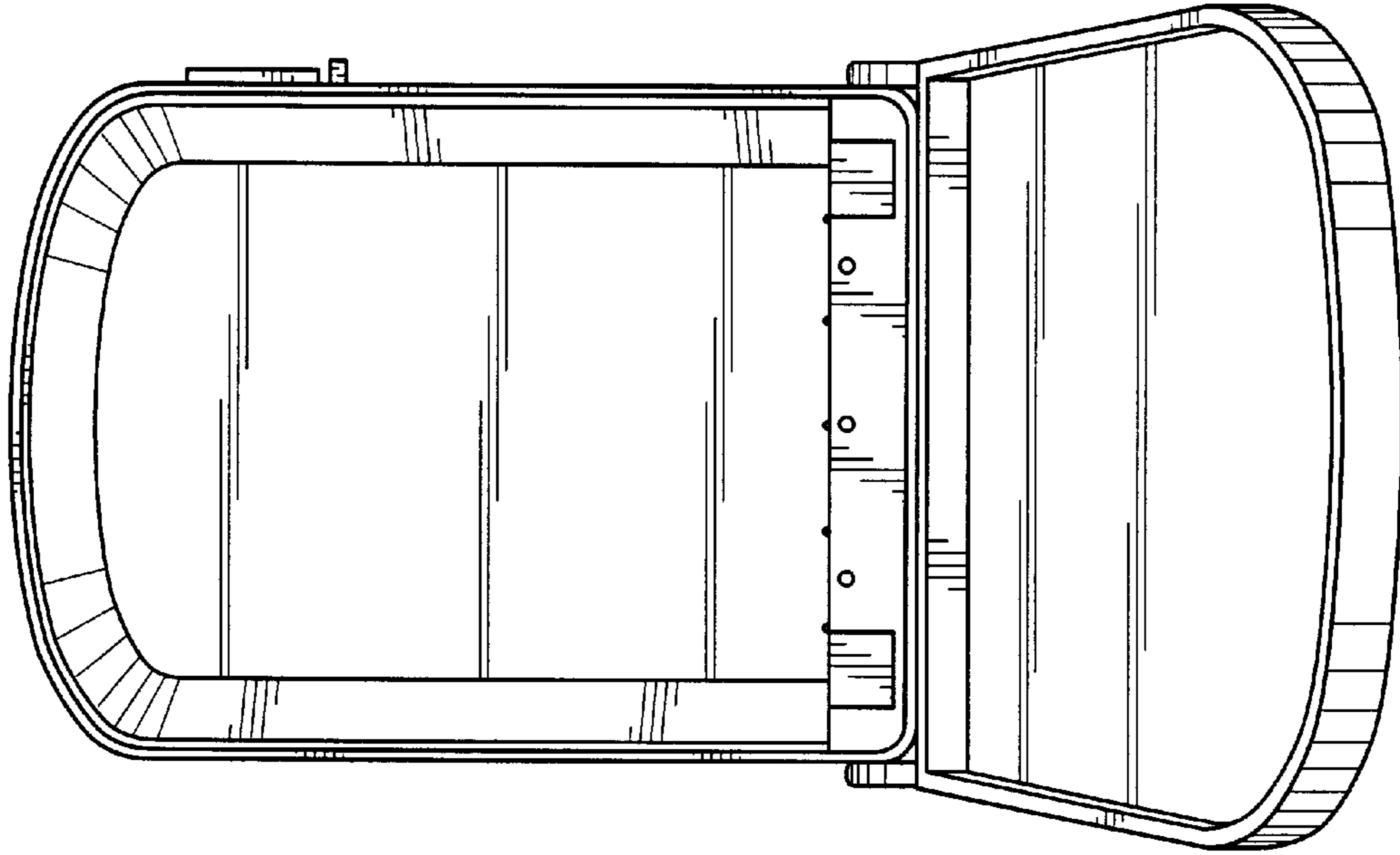


FIG. 6

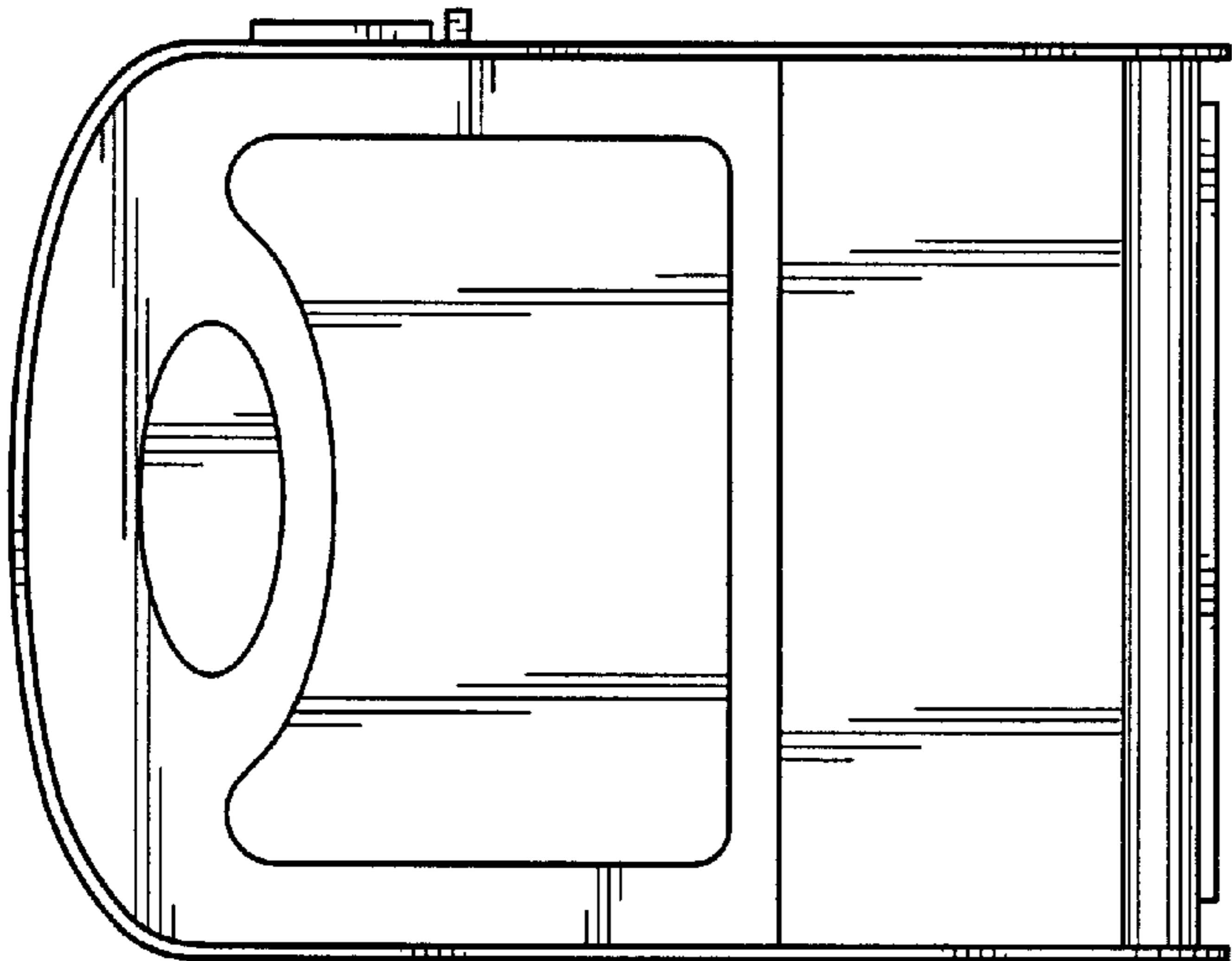


FIG. 5