



US00D452355B1

(12) **United States Design Patent**
Leyshon

(10) **Patent No.:** **US D452,355 S**

(45) **Date of Patent:** **** Dec. 18, 2001**

(54) **BAG HOLDER**

3,185,339 * 5/1965 Flemming 248/95
4,267,997 * 5/1981 Meier 248/97

(75) Inventor: **Frank A. Leyshon**, Cambridge, OH
(US)

* cited by examiner

(73) Assignee: **Leyshon Miller Industries, Inc.**,
Cambridge, OH (US)

Primary Examiner—Cynthia E. Ramirez
(74) *Attorney, Agent, or Firm*—Robert R. Lech; Calfee,
Halter & Griswold LLP

(**) Term: **14 Years**

(57) **CLAIM**

(21) Appl. No.: **29/132,098**

I claim the ornamental design for a bag holder, as shown and described.

(22) Filed: **Nov. 1, 2000**

(51) **LOC (7) Cl.** **09-09**

(52) **U.S. Cl.** **D34/6; D6/566**

(58) **Field of Search** D34/1, 5, 6, 2;
D6/566, 462; 248/95, 97, 99; 220/908,
909; D9/434

DESCRIPTION

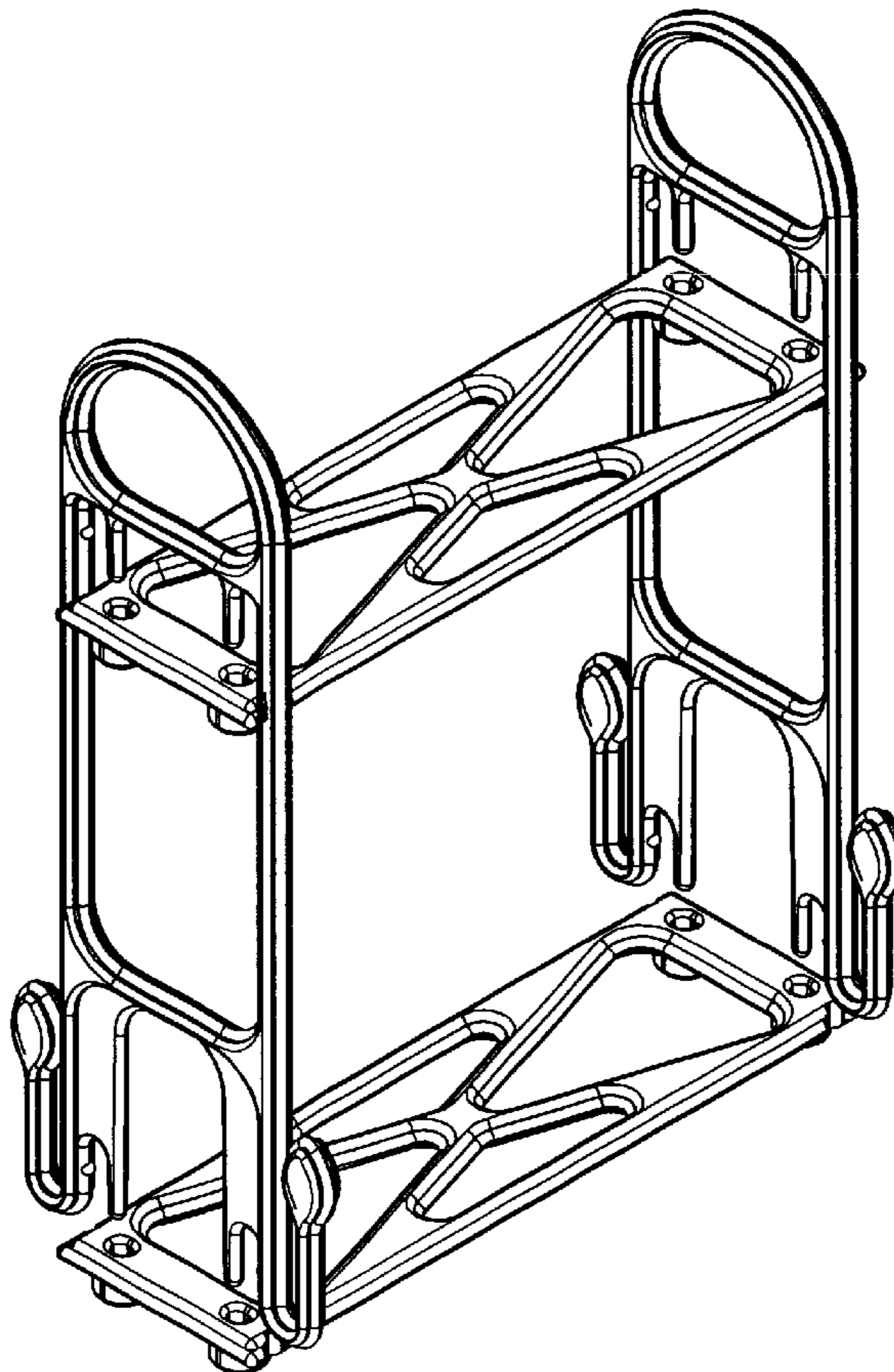
(56) **References Cited**

U.S. PATENT DOCUMENTS

- D. 409,913 * 5/1999 Le Roux D9/434
- D. 420,235 * 2/2000 Cordero D34/6 X
- D. 421,170 * 2/2000 Siu D34/6
- D. 423,823 * 5/2000 Nelson D34/5 X
- D. 423,841 * 5/2000 Kerr et al. D34/5 X
- D. 424,265 * 5/2000 Rosky D34/6

FIG. 1 is a front perspective view of the bag holder of the present invention;
 FIG. 2 is an elevational view of the horizontal element of the bag holder, the vertical element not shown for convenience of illustration;
 FIG. 3 is an elevational view of the vertical element of the bag holder, the horizontal element not shown for convenience of illustration; and,
 FIG. 4 is a front perspective view of the bag holder of FIG. 1, shown holding a bag in broken lines which forms no part of the claimed design.

1 Claim, 3 Drawing Sheets



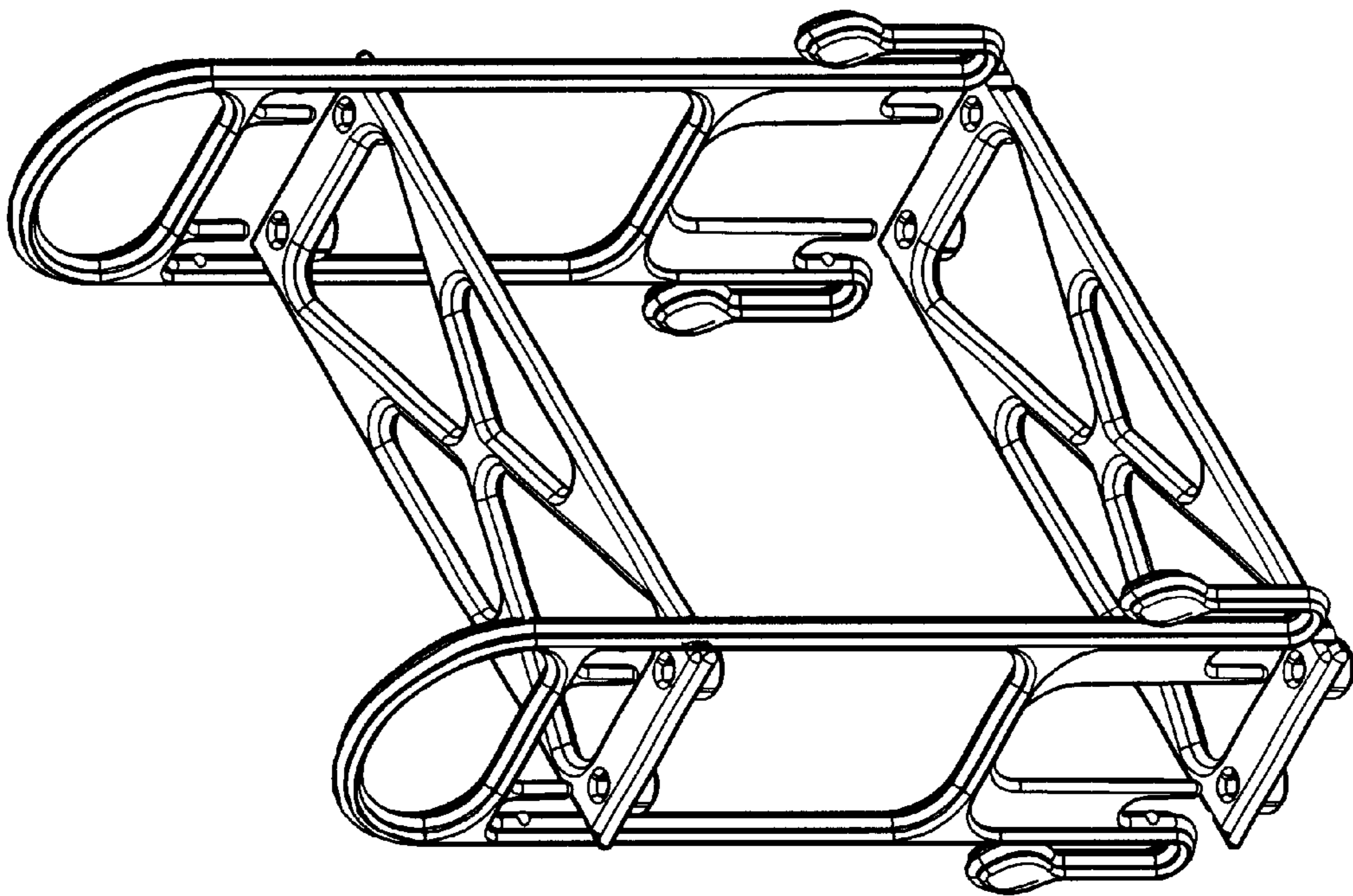


Fig. 1

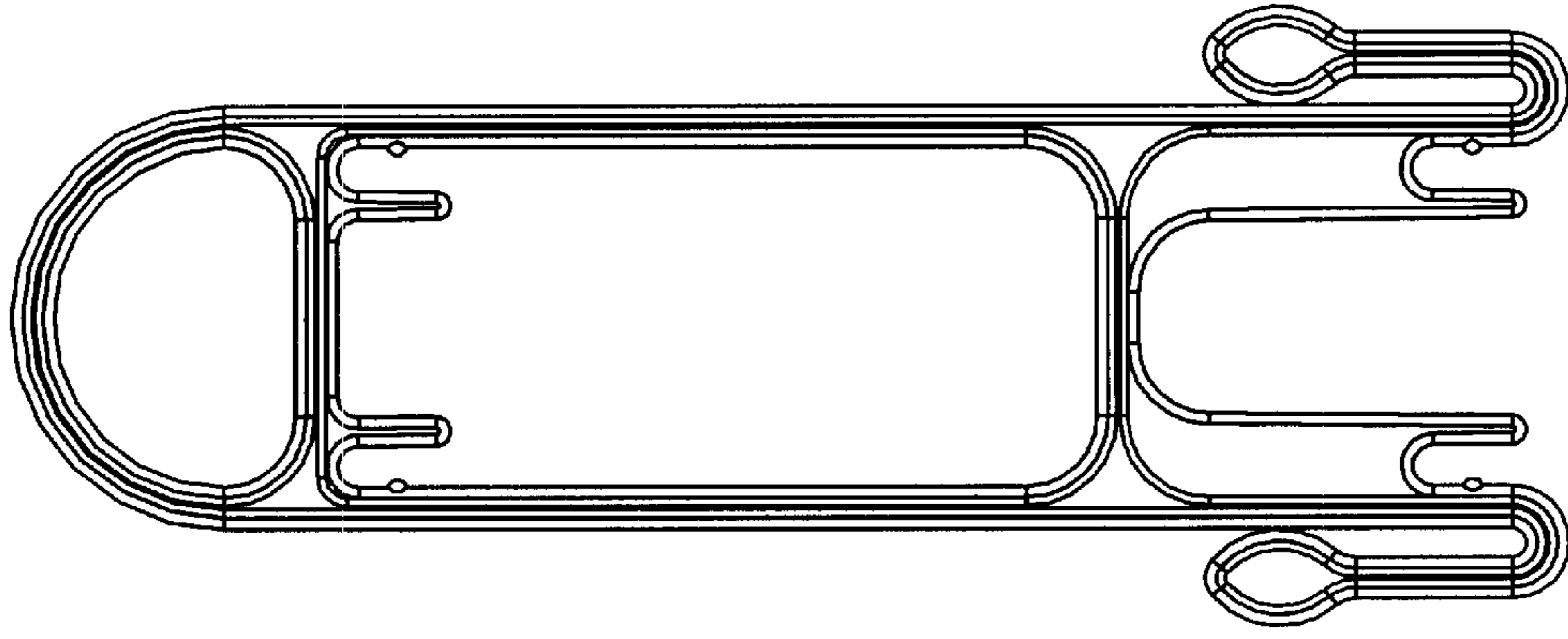


Fig. 3

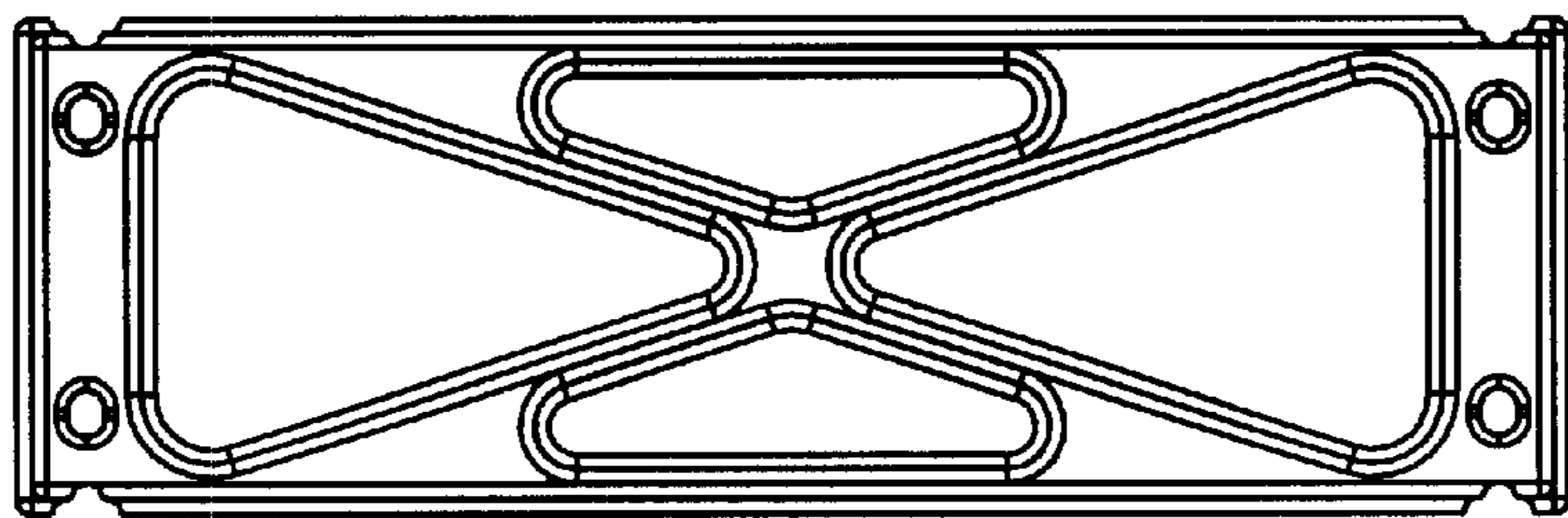


Fig. 2

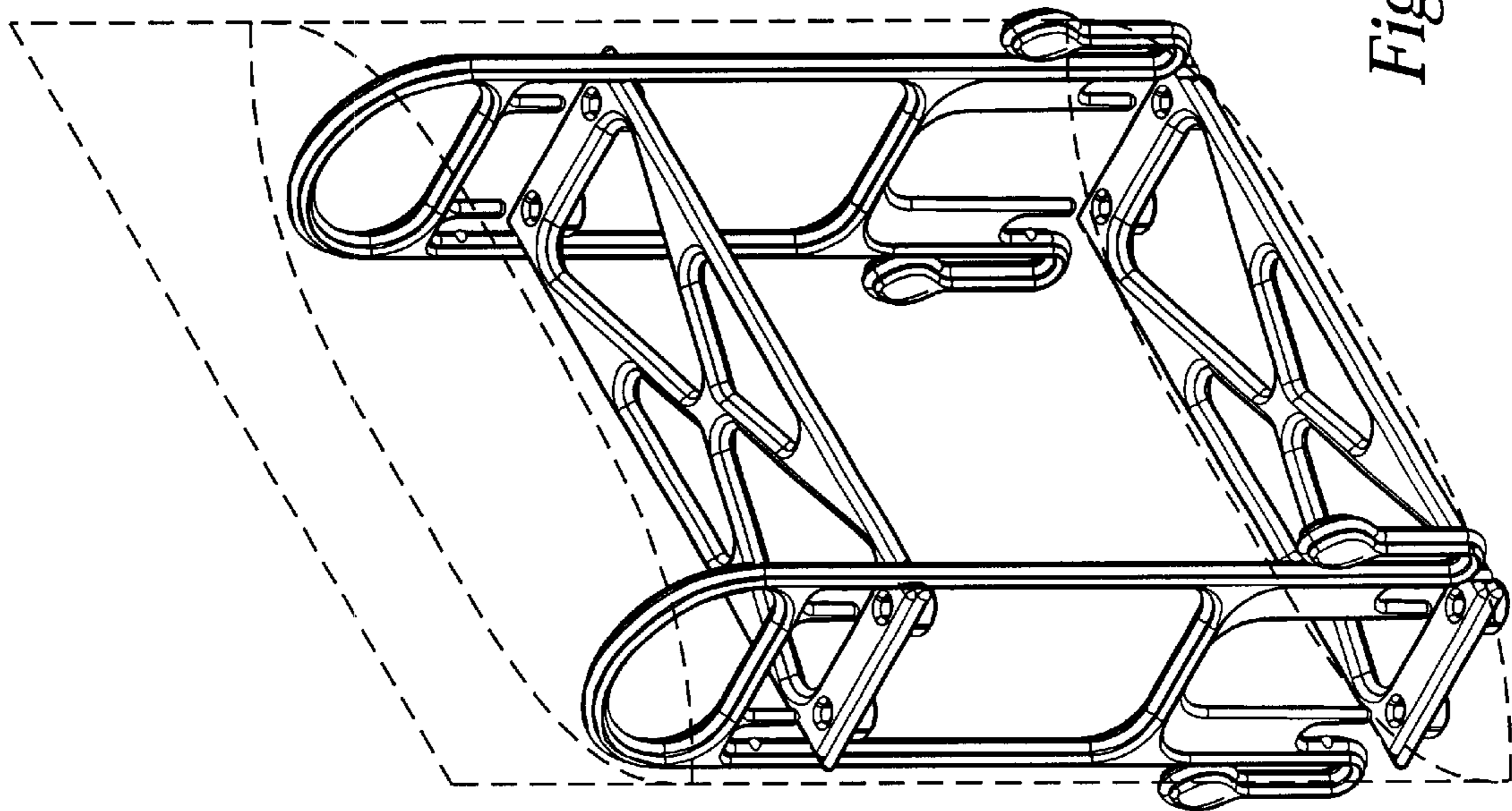


Fig. 4