



US00D452352B1

(12) **United States Design Patent**
Linscott

(10) **Patent No.:** **US D452,352 S**

(45) **Date of Patent:** **** Dec. 18, 2001**

(54) **AQUARIUM**

(76) **Inventor:** **Grant Linscott**, 3 Apperley Road,
Stocksfield, Northumberland (GB),
NE43 7PD

(**) **Term:** **14 Years**

(21) **Appl. No.:** **29/129,974**

(22) **Filed:** **Sep. 26, 2000**

(51) **LOC (7) Cl.** **30-02**

(52) **U.S. Cl.** **D30/105**

(58) **Field of Search** D30/101-107;
D11/145; 40/408; 47/69; 446/267; 119/245-246,
248, 250, 257, 263, 265-267, 269

(56) **References Cited**

U.S. PATENT DOCUMENTS

D. 84,002	*	4/1931	Smith	D30/160
D. 207,296	*	3/1967	Bartholomew	D30/105
D. 219,987	*	2/1971	Lee	D30/101
D. 238,591	*	1/1976	Shrew	D30/105
D. 238,687	*	2/1976	Braid	D30/105
D. 243,703	*	3/1977	Gamble	D30/105

D. 268,705	*	4/1983	Clayton	D30/101
D. 289,355	*	4/1987	Paulides	D11/145
D. 311,264	*	10/1990	Stramal	D30/101
D. 353,027	*	11/1994	Kimray	D30/101
3,921,583	*	11/1975	De Shores	119/250
5,005,521	*	4/1991	Strong	119/257
6,223,690	*	5/2001	Park	119/248

* cited by examiner

Primary Examiner—Cathy Anne MacCormac

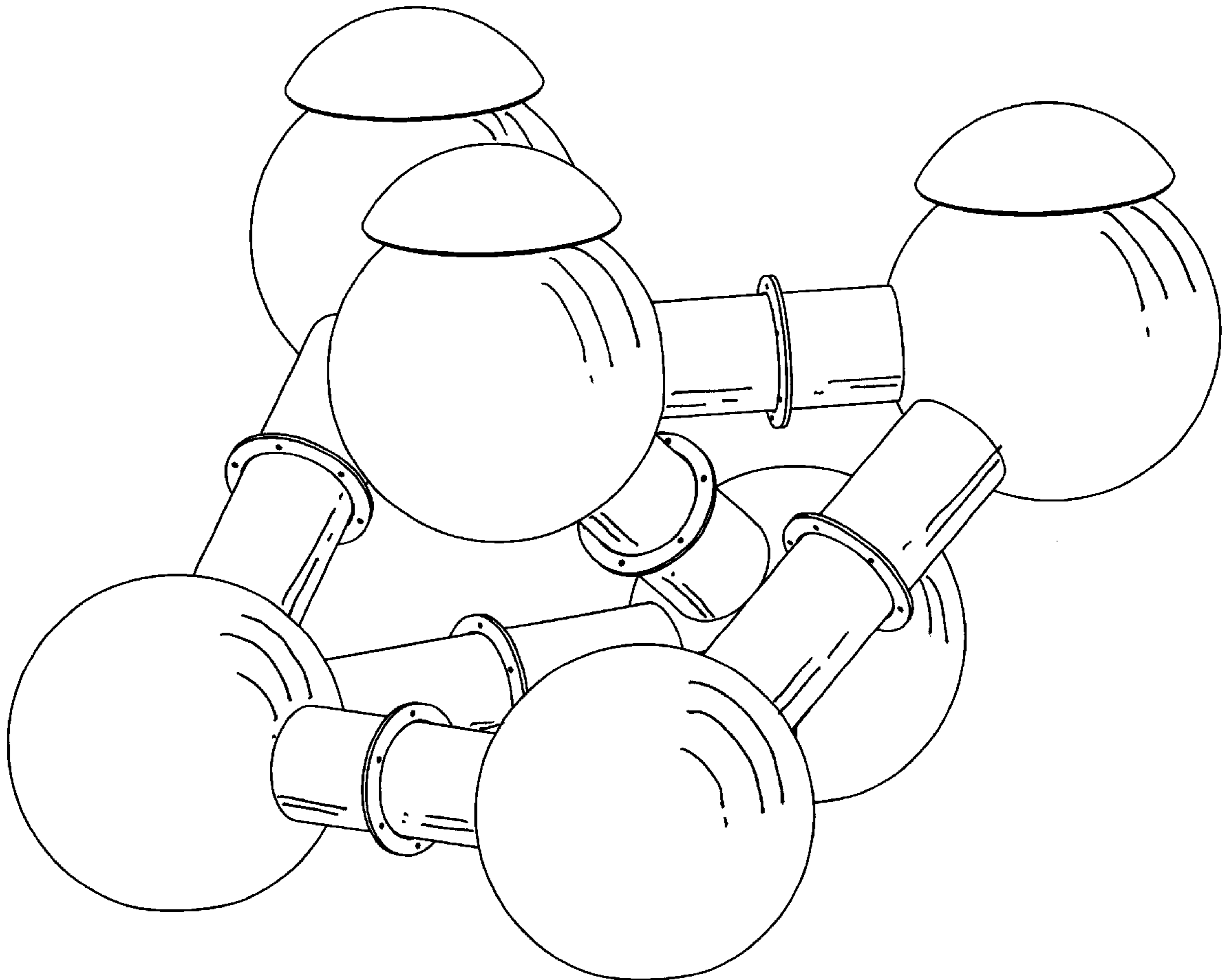
(57) **CLAIM**

The ornamental design for an aquarium, as shown.

DESCRIPTION

FIG. 1 is a front elevation view of an aquarium showing my new design;
 FIG. 2 is a top plan view thereof;
 FIG. 3 is a right side elevation view thereof, the left side view being a mirror image;
 FIG. 4 is a bottom plan view thereof;
 FIG. 5 is a rear elevation view thereof; and,
 FIG. 6 is a perspective view thereof.

1 Claim, 6 Drawing Sheets



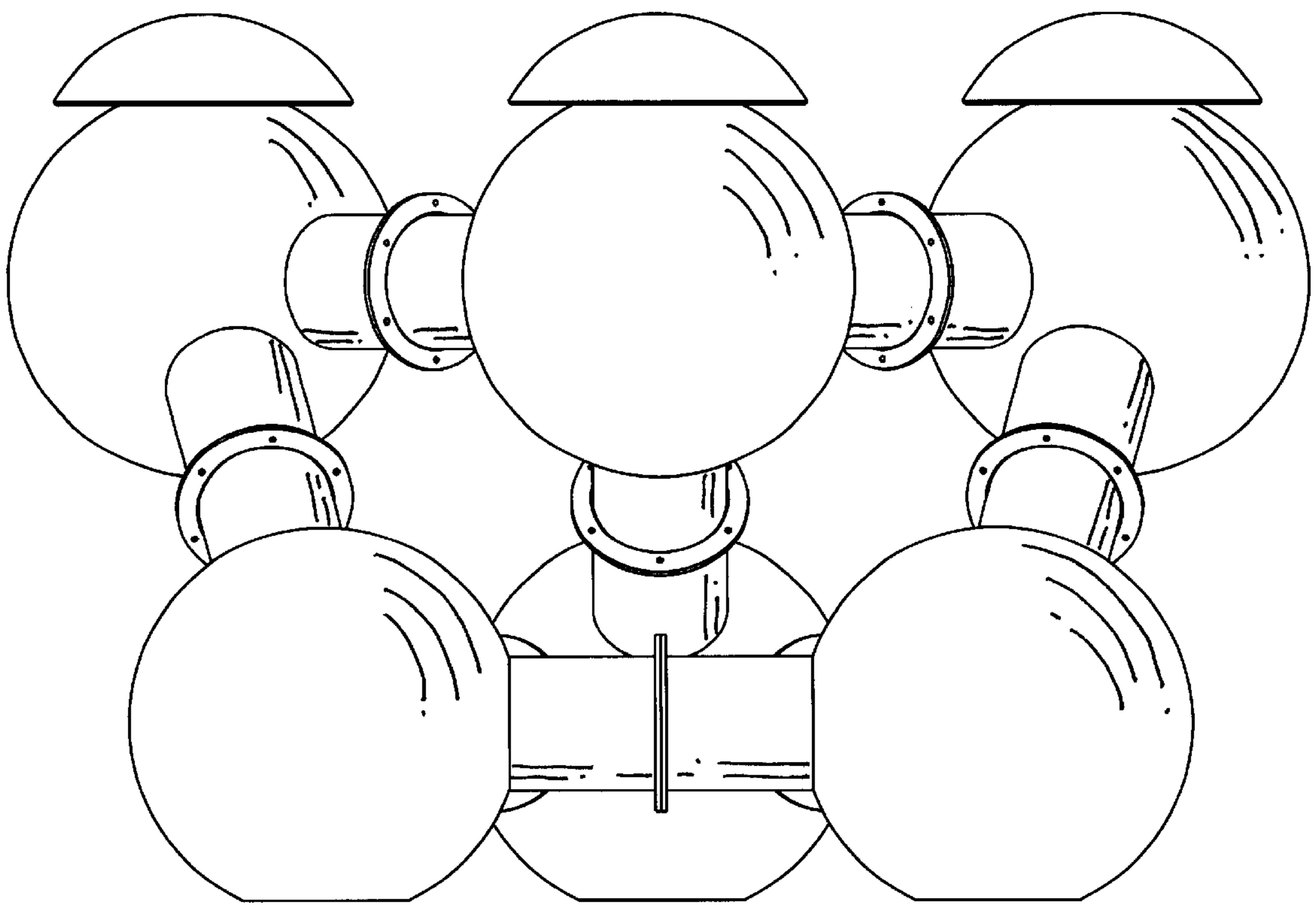


Fig. 1

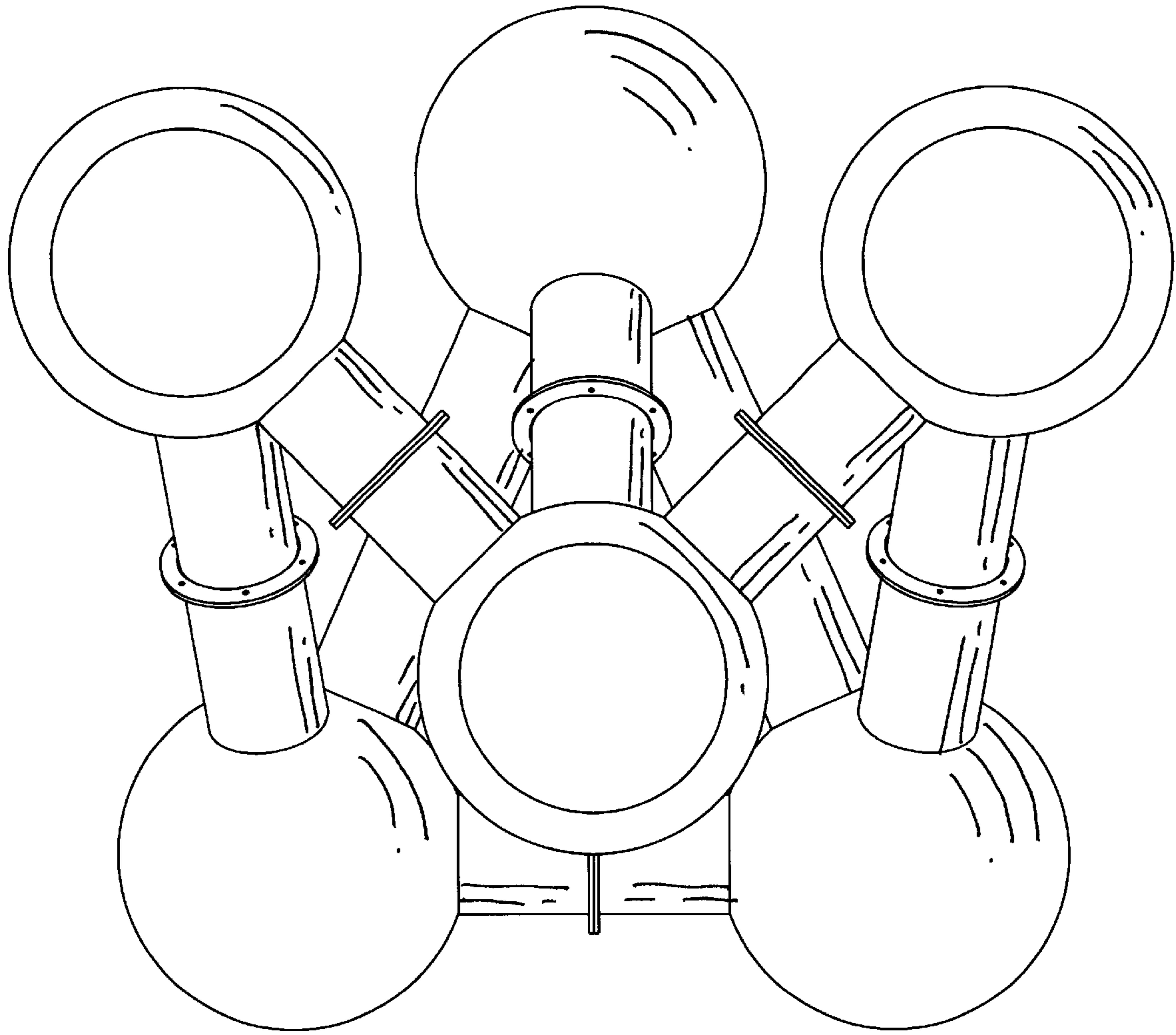


Fig. 2

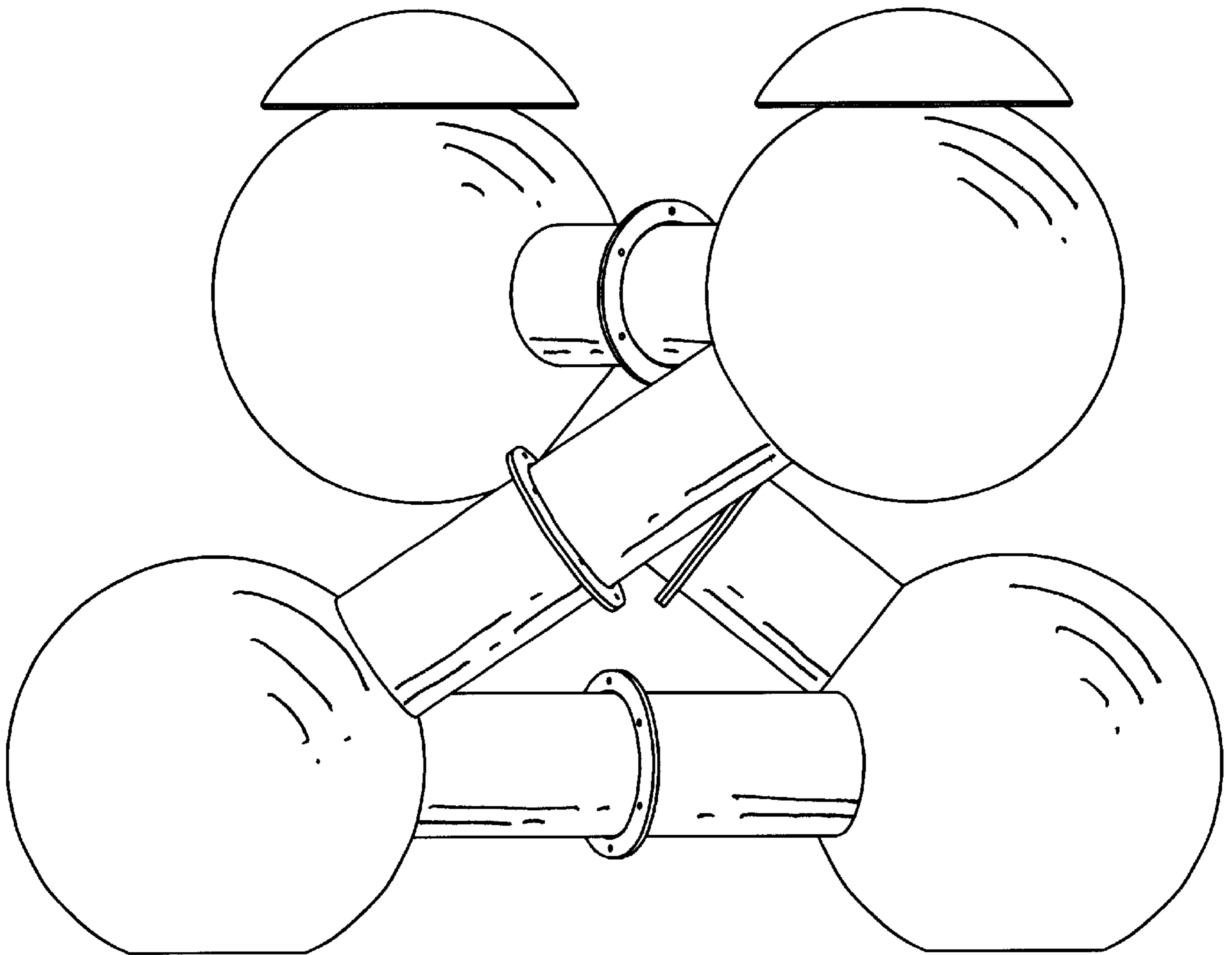


Fig. 3

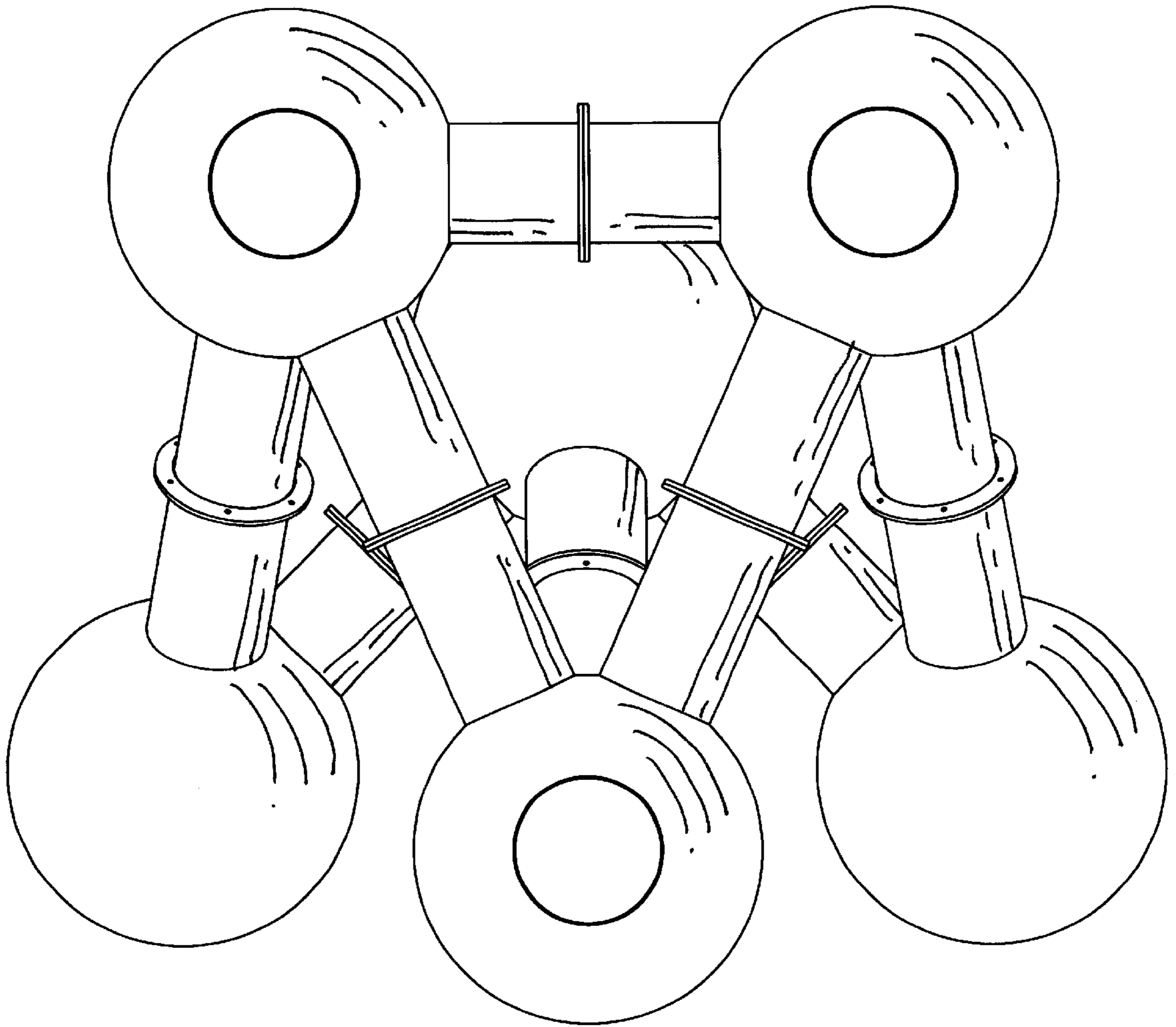


Fig. 4

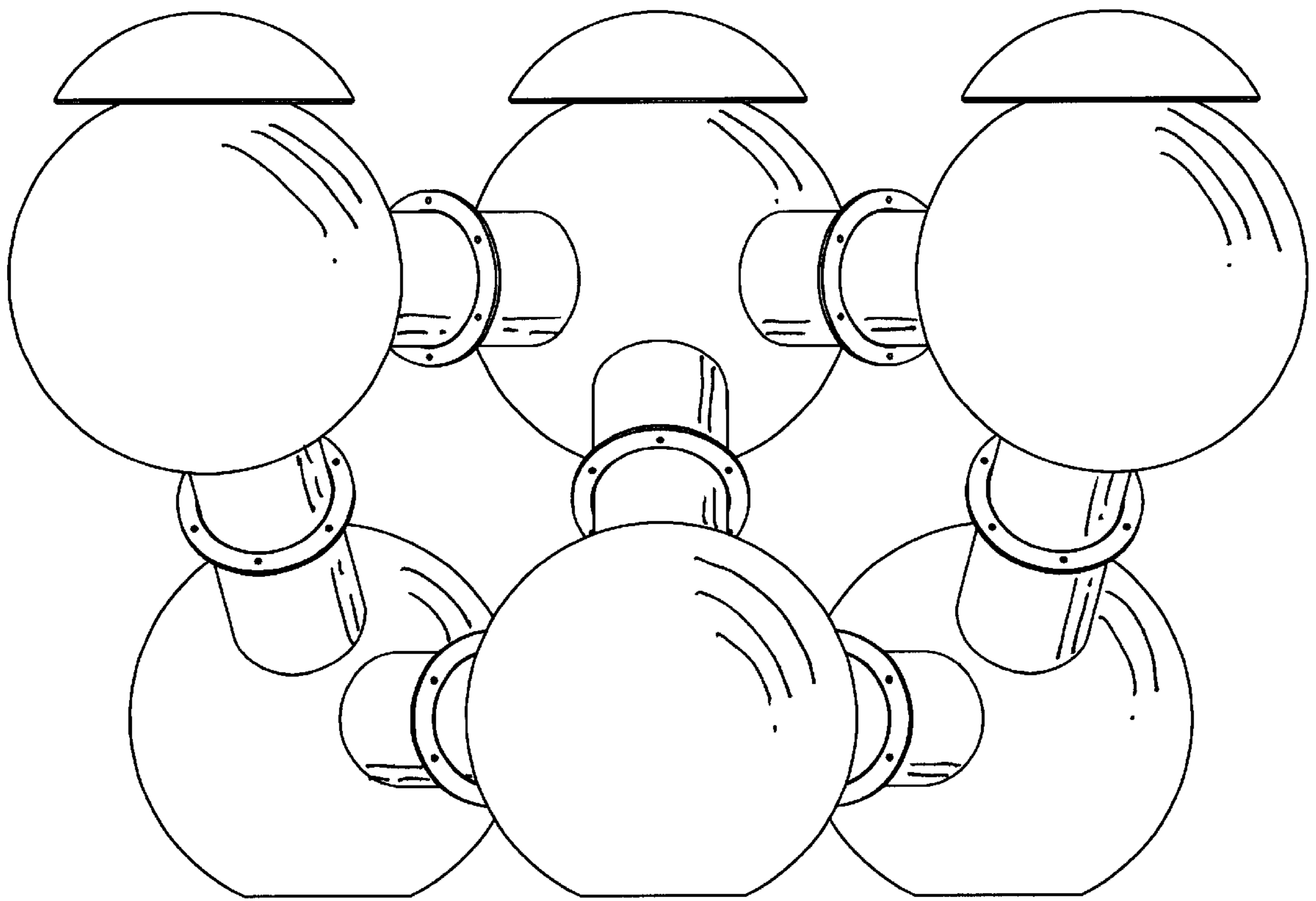


Fig. 5

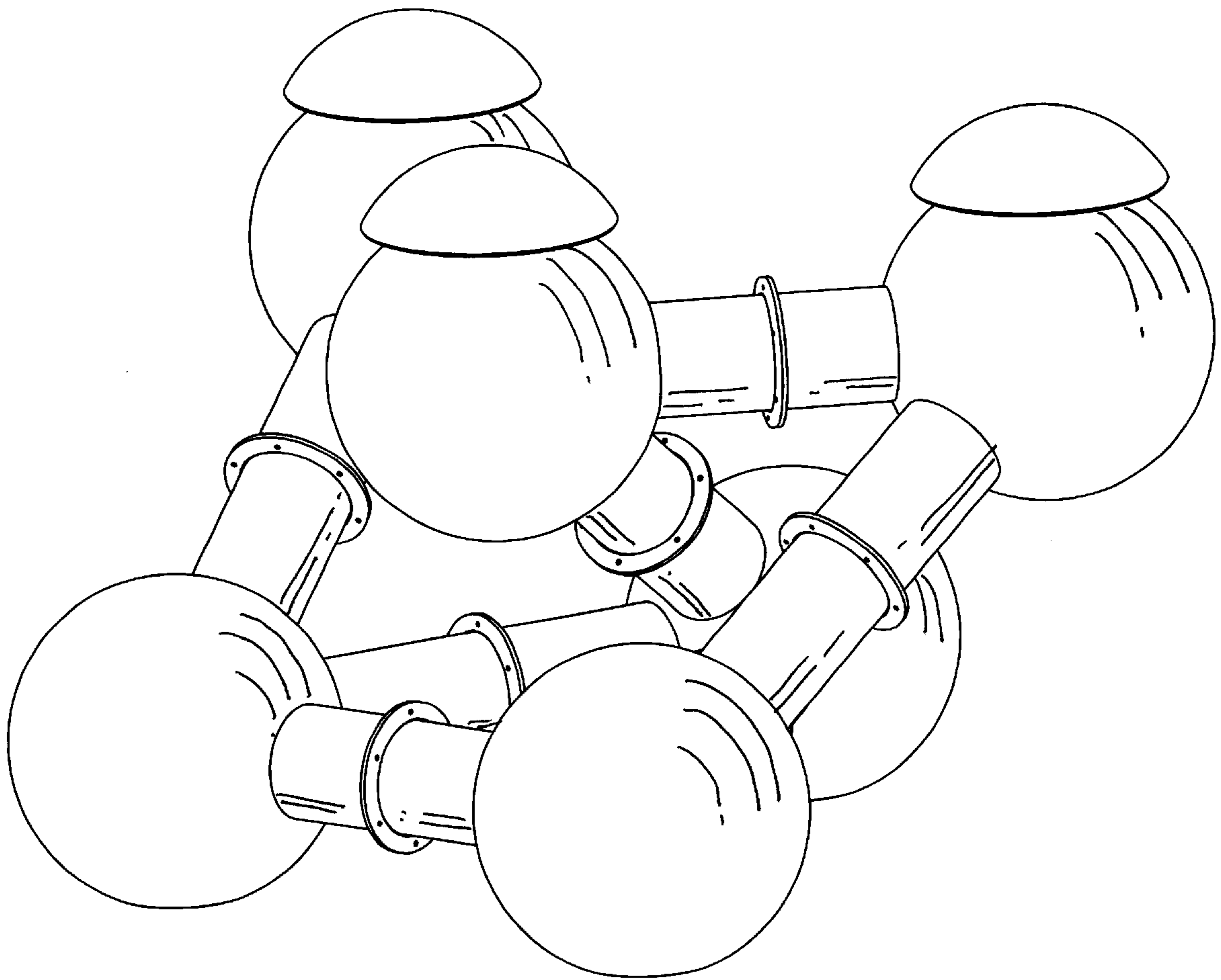


Fig. 6