



US00D452348B1

(12) **United States Design Patent**  
**Wonderley**

(10) **Patent No.:** **US D452,348 S**

(45) **Date of Patent:** **\*\* Dec. 18, 2001**

(54) **DISPOSABLE RAZOR**

D. 439,015 \* 3/2001 Wonderley ..... D28/48

(75) Inventor: **Jeffrey W. Wonderley**, Fort Defiance,  
VA (US)

\* cited by examiner

(73) Assignee: **American Safety Razor Company**,  
Verona, VA (US)

*Primary Examiner*—Ted Shooman

*Assistant Examiner*—C. Tuttle

(74) *Attorney, Agent, or Firm*—McDermott, Will & Emery

(\*\*) Term: **14 Years**

(57) **CLAIM**

The ornamental design for a disposable razor, as shown and described.

(21) Appl. No.: **29/127,345**

(22) Filed: **Aug. 7, 2000**

**DESCRIPTION**

(51) **LOC (7) Cl.** ..... **28-03**

(52) **U.S. Cl.** ..... **D28/48**

(58) **Field of Search** ..... D28/44-48; 30/32,  
30/47-51, 526, 527, 532, 533

FIG. 1 is a perspective view showing a disposable razor according to the present invention;

FIG. 2 is a top plan view showing the disposable razor according to the present invention;

FIG. 3 is a bottom plan view of the disposable razor according to the present invention;

FIG. 4 is a right side elevational view of the disposable razor according to the present invention, the left side being a mirror image thereof;

FIG. 5 is a front end view of the disposable razor according to the present invention; and,

FIG. 6 is a rear end view of the disposable razor according to the present invention.

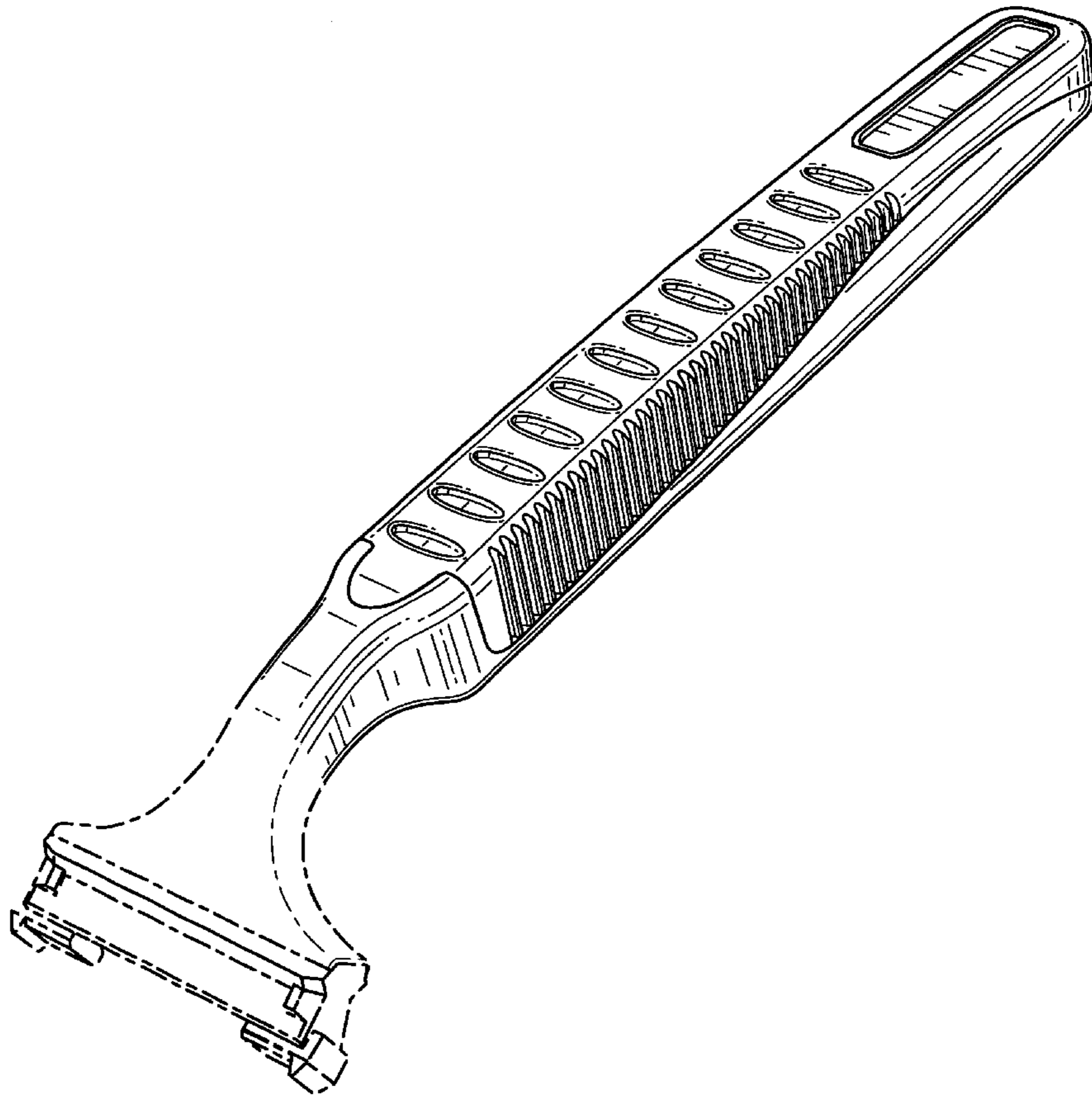
The broken line disclosure is for an illustrative purpose only and for no part of the claimed design.

(56) **References Cited**

**U.S. PATENT DOCUMENTS**

D. 229,249	*	11/1973	Castelli	.....	D28/48
D. 257,793	*	1/1981	Gray	.....	D28/48
D. 259,065	*	4/1981	Byrne	.....	D28/46
D. 260,303	*	8/1981	Wordtmann	.....	D28/46
D. 269,915	*	7/1983	Iten et al.	.....	D28/46
D. 366,728	*	1/1996	Ryu	.....	D28/48
D. 414,898	*	10/1999	Grange	.....	D28/48
D. 422,117	*	3/2000	Motta	.....	D28/48
D. 425,251	*	5/2000	Gray	.....	D28/48

**1 Claim, 5 Drawing Sheets**



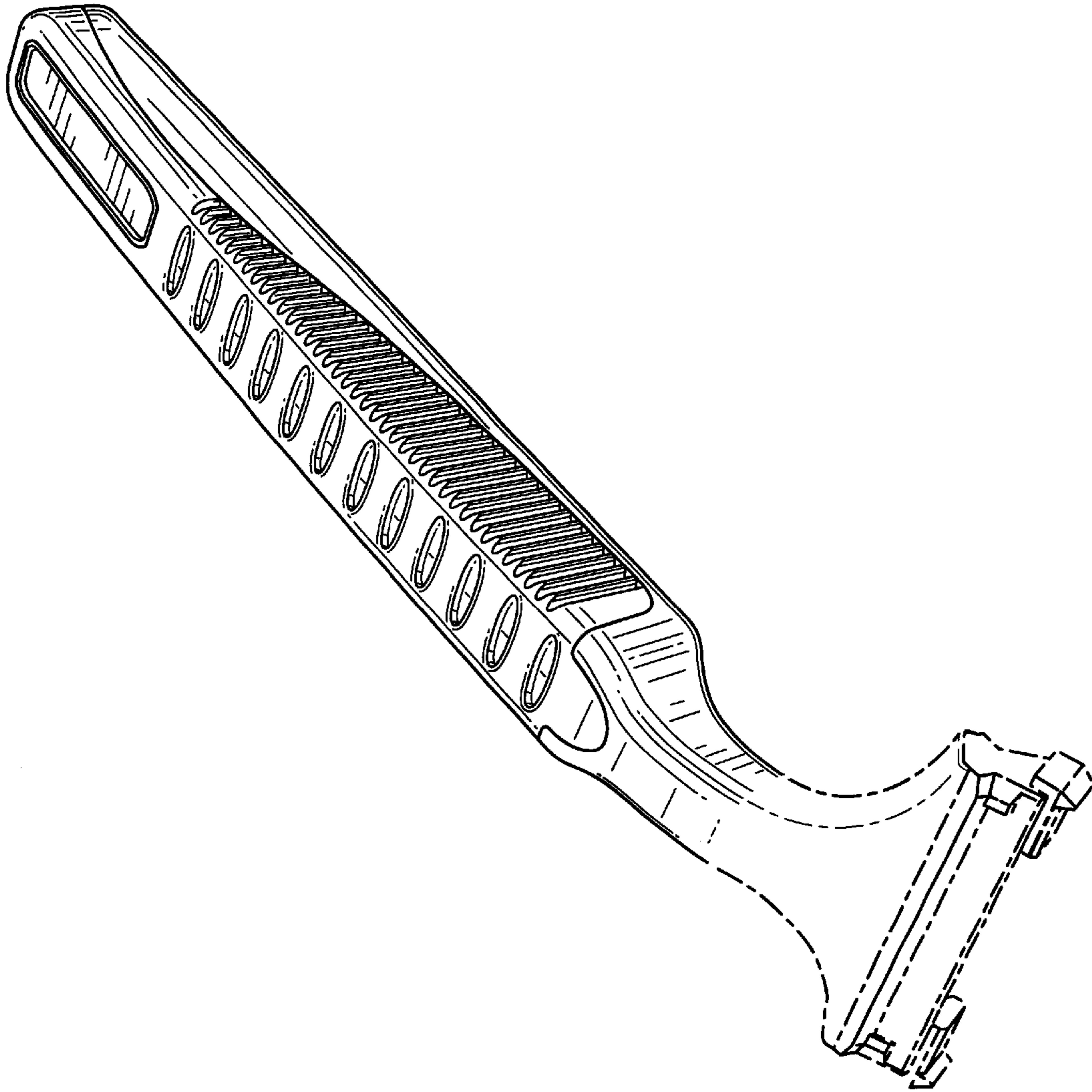


FIG. 1

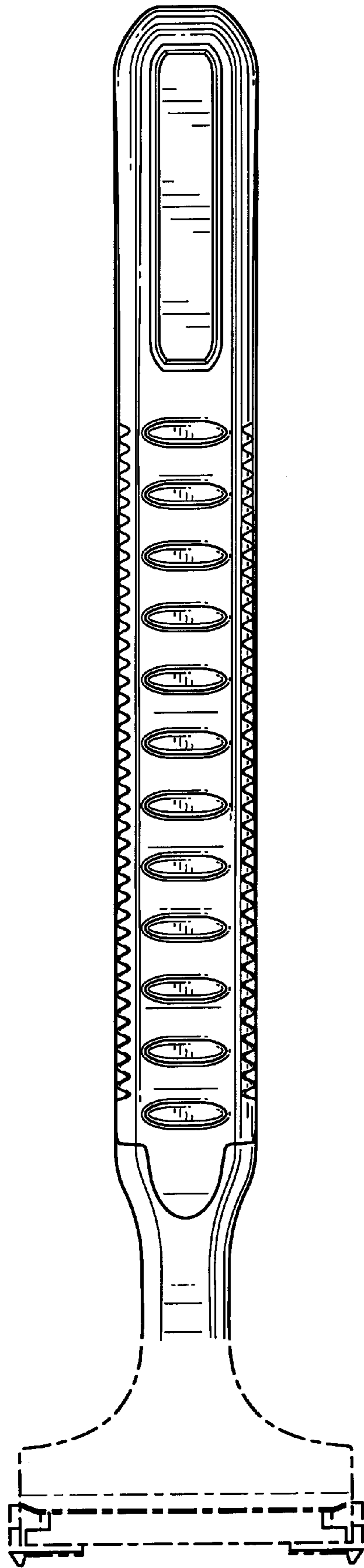


FIG. 2

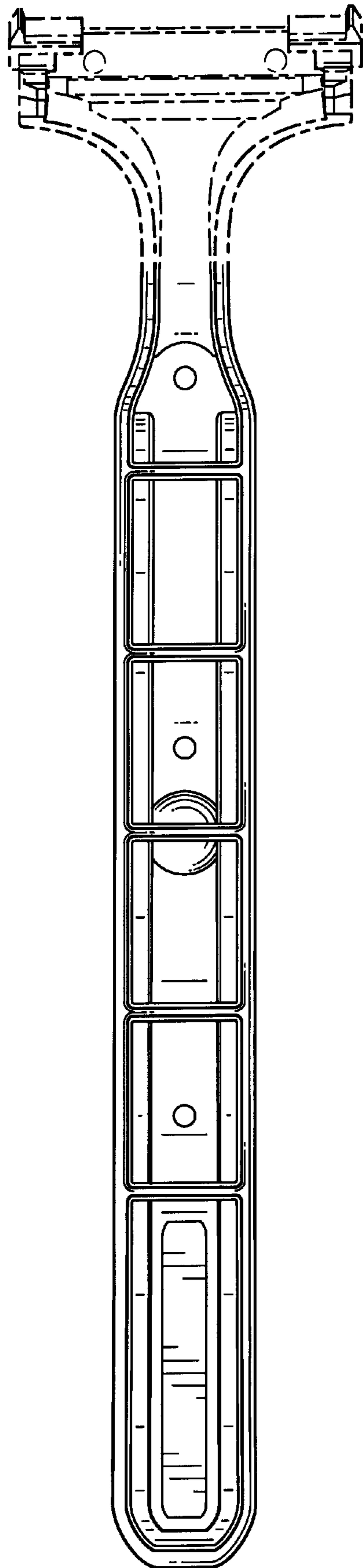


FIG. 3

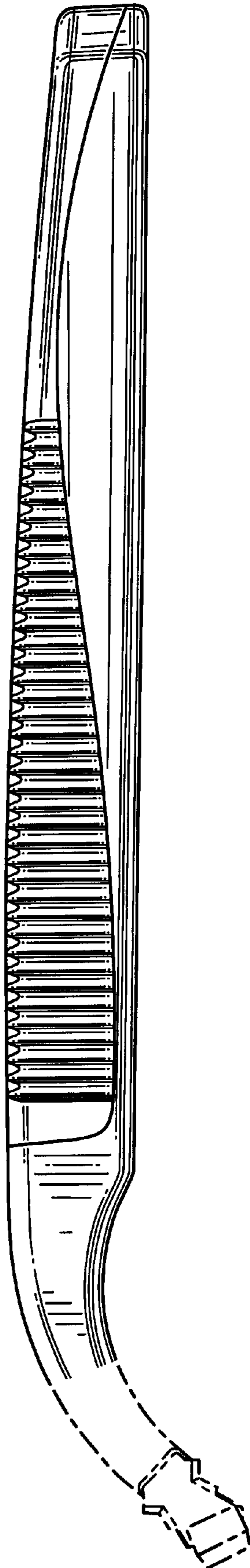


FIG. 4

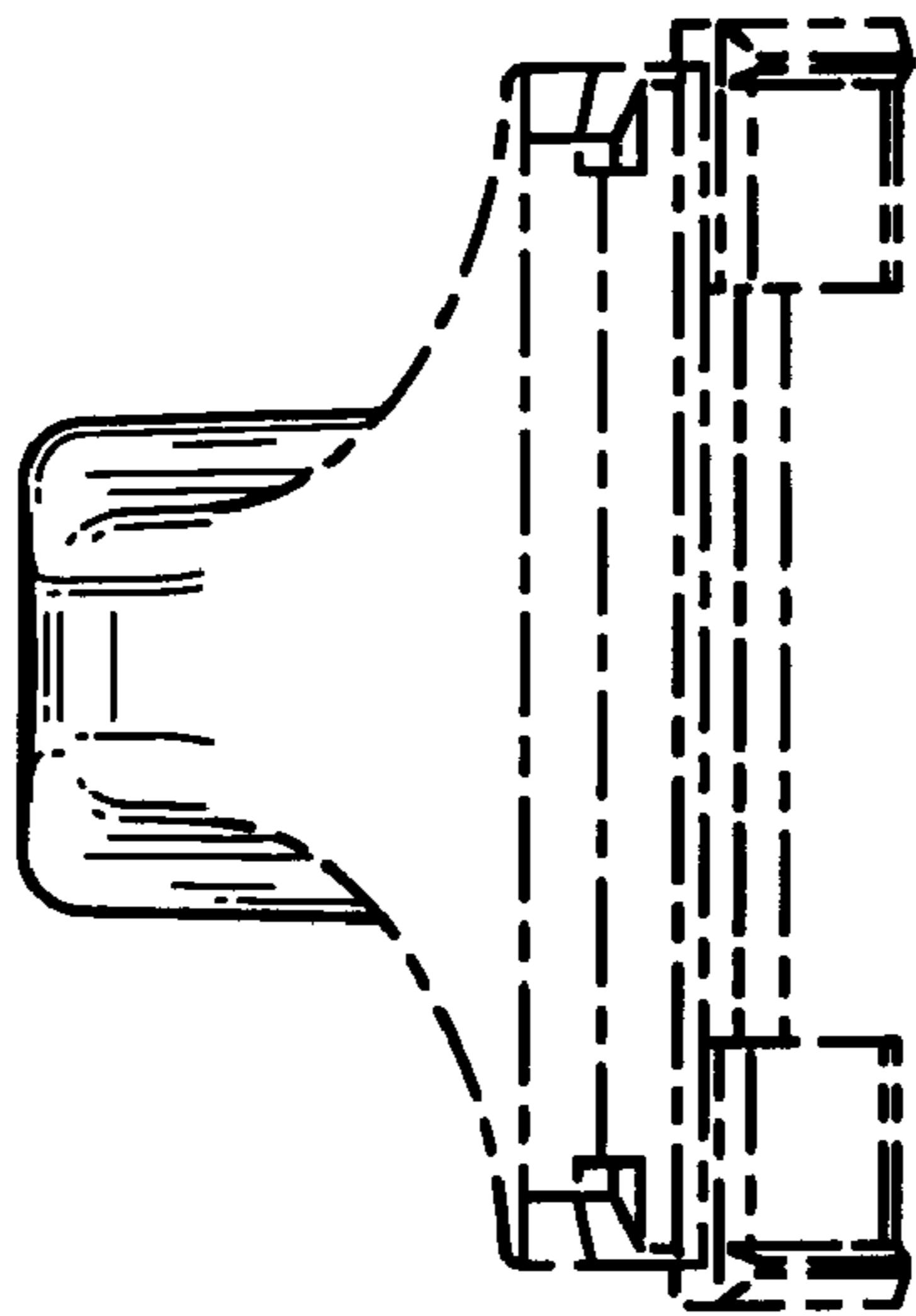


FIG. 5

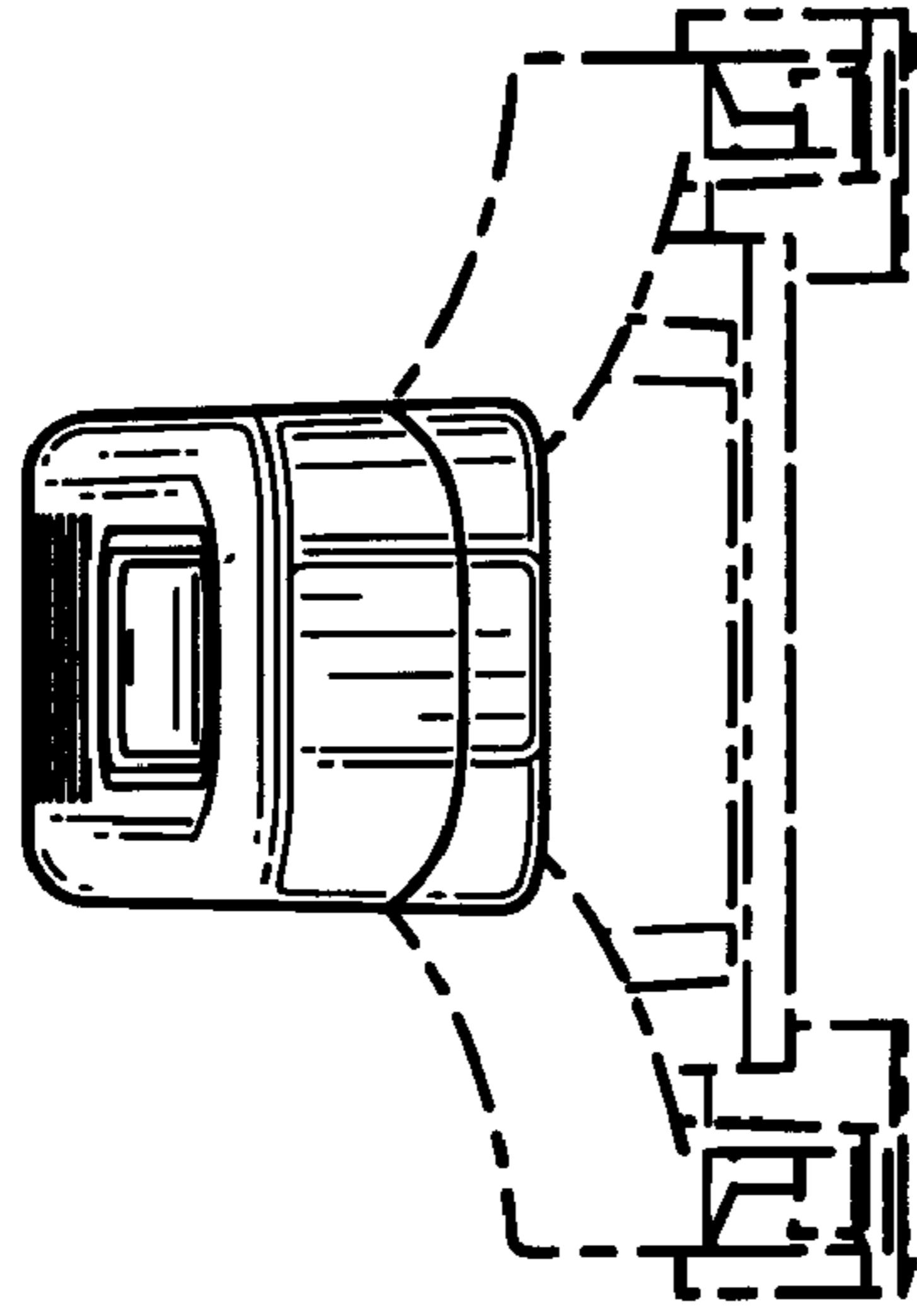


FIG. 6