



US00D452343B1

(12) **United States Design Patent**  
**Pan**

(10) **Patent No.:** **US D452,343 S**

(45) **Date of Patent:** **\*\* Dec. 18, 2001**

(54) **END CAP OF A PIPE-TYPE LAMP**

(76) **Inventor:** **Wun Fang Pan**, No. 123, Lane 99, Pu  
Din Road, Hsinchu City (TW)

(\*\*) **Term:** **14 Years**

(21) **Appl. No.:** **29/141,063**

(22) **Filed:** **May 1, 2001**

(51) **LOC (7) Cl.** ..... **26-99**

(52) **U.S. Cl.** ..... **D26/138**

(58) **Field of Search** ..... D8/387, 349, 376;  
D26/138; 362/223, 206, 217

(56) **References Cited**

**U.S. PATENT DOCUMENTS**

D. 418,811	*	1/2001	Bunyea	.....	D13/119
4,280,169	*	7/1981	Allen	.....	362/217
5,006,969	*	4/1991	Lai	.....	362/206
5,188,451	*	2/1993	Shanks	.....	362/223

\* cited by examiner

*Primary Examiner*—Holly Baynham

(74) *Attorney, Agent, or Firm*—Rosenberg, Klein & Lee

(57) **CLAIM**

The ornamental design for an end cap of a pipe-type lamp,  
as shown and described.

**DESCRIPTION**

FIG. 1 is a perspective view of an end cap of a pipe-type  
lamp showing my new design;

FIG. 2 is another perspective view of an end cap of a  
pipe-type lamp of FIG. 1;

FIG. 3 is a front elevational view thereof;

FIG. 4 is a rear elevational view thereof;

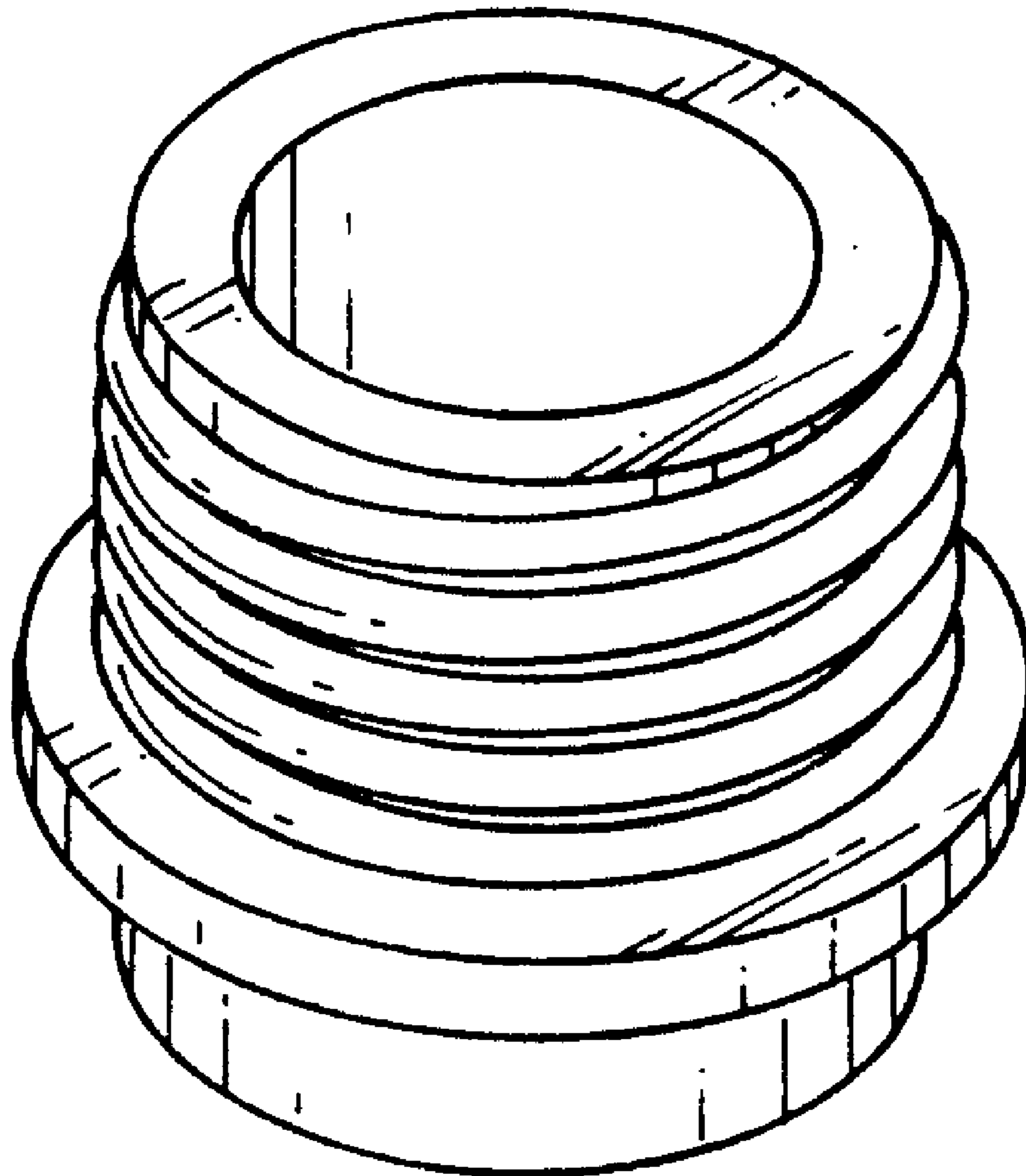
FIG. 5 is a top plan view thereof;

FIG. 6 is a bottom plan view thereof;

FIG. 7 is a left side elevational view thereof; and,

FIG. 8 is a right side elevational view thereof.

**1 Claim, 4 Drawing Sheets**



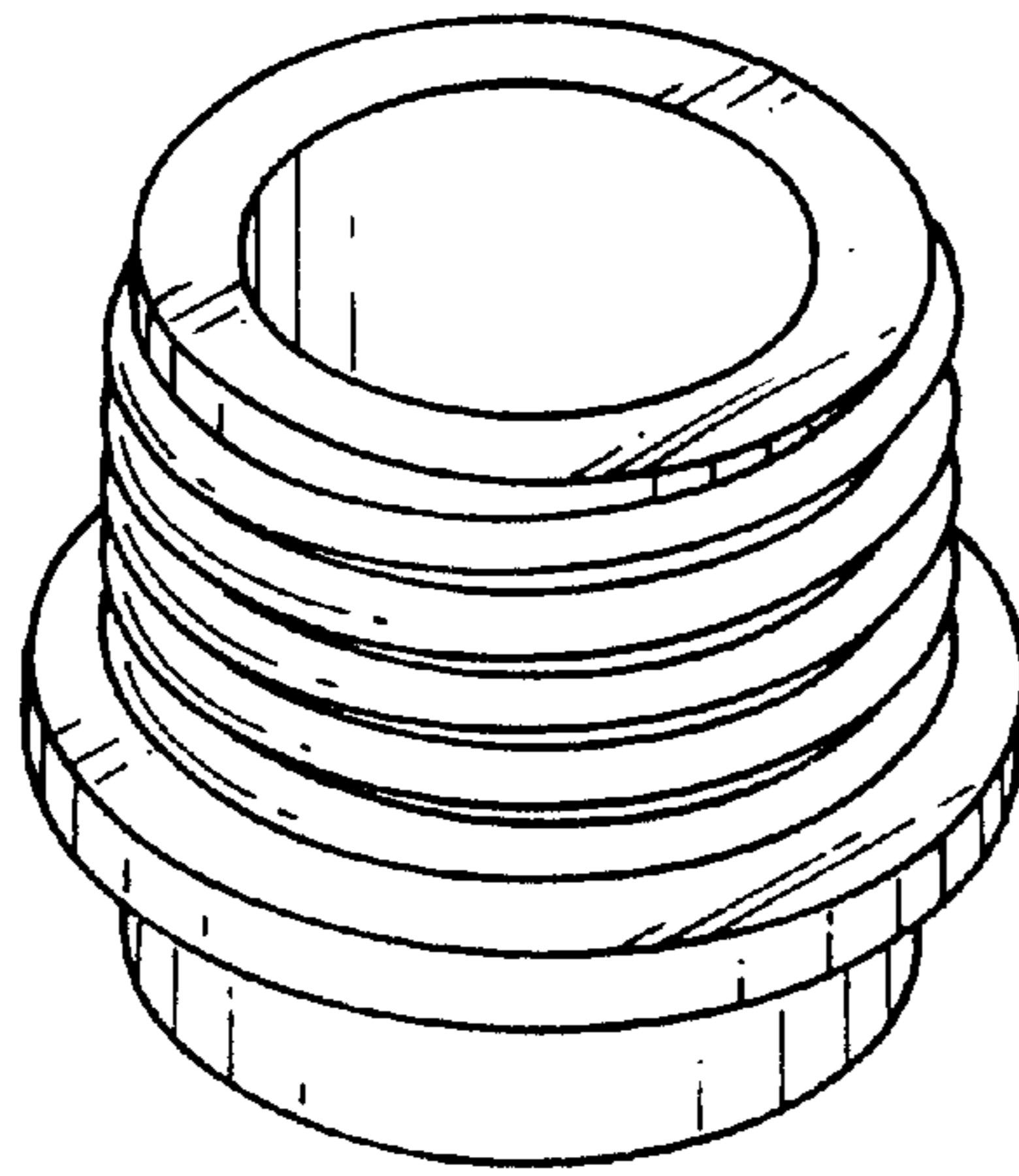


FIG. 1

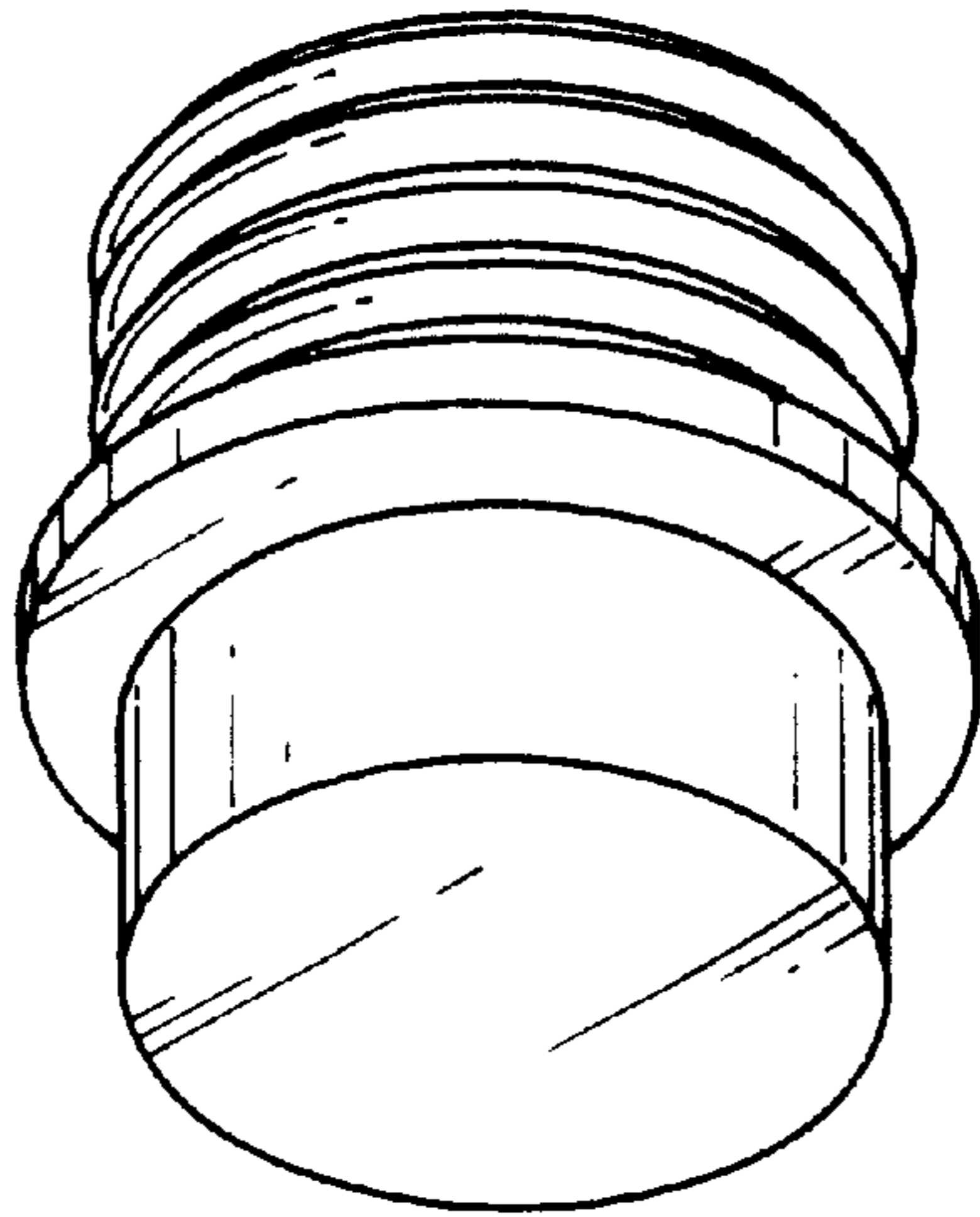


FIG. 2

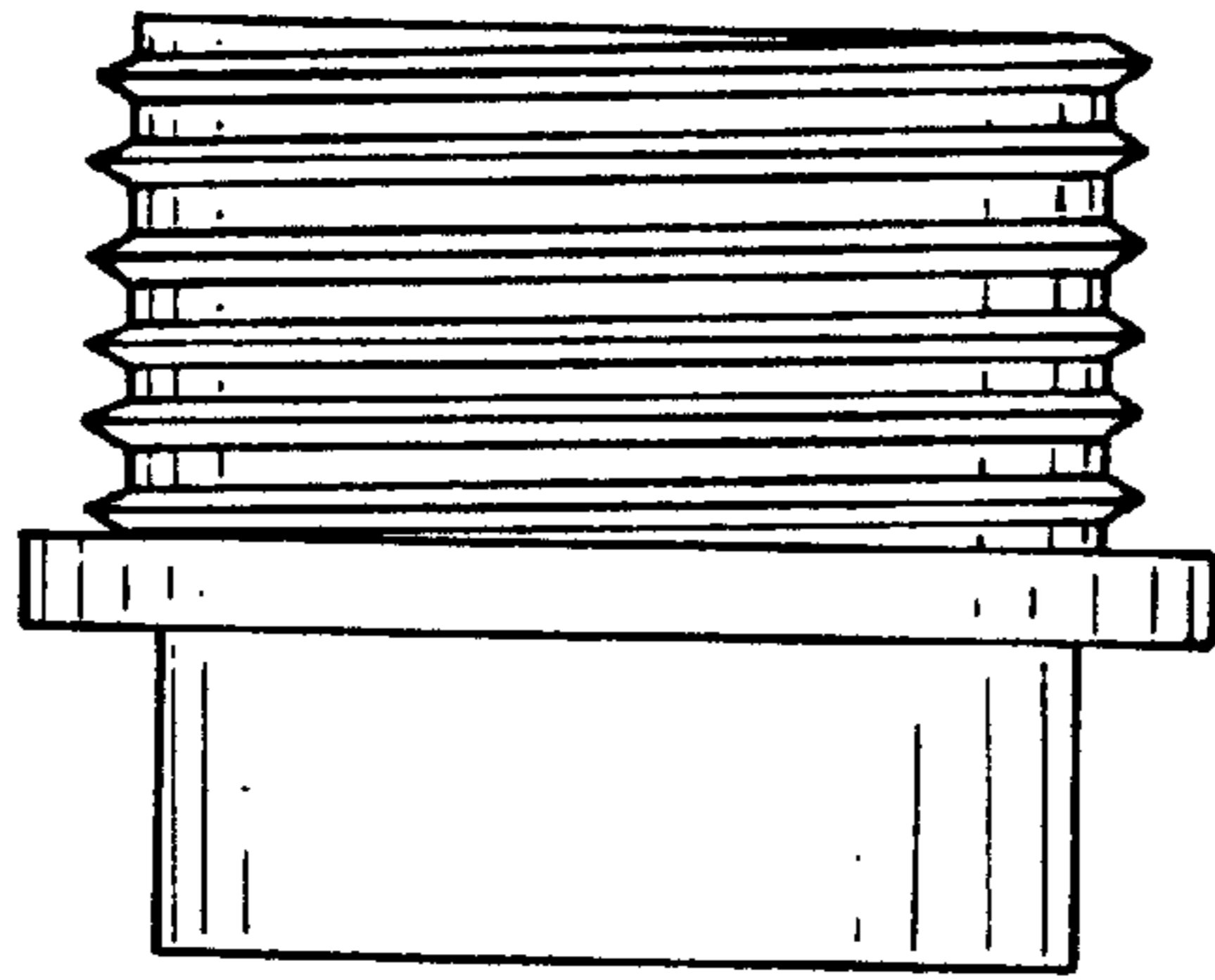


FIG. 3

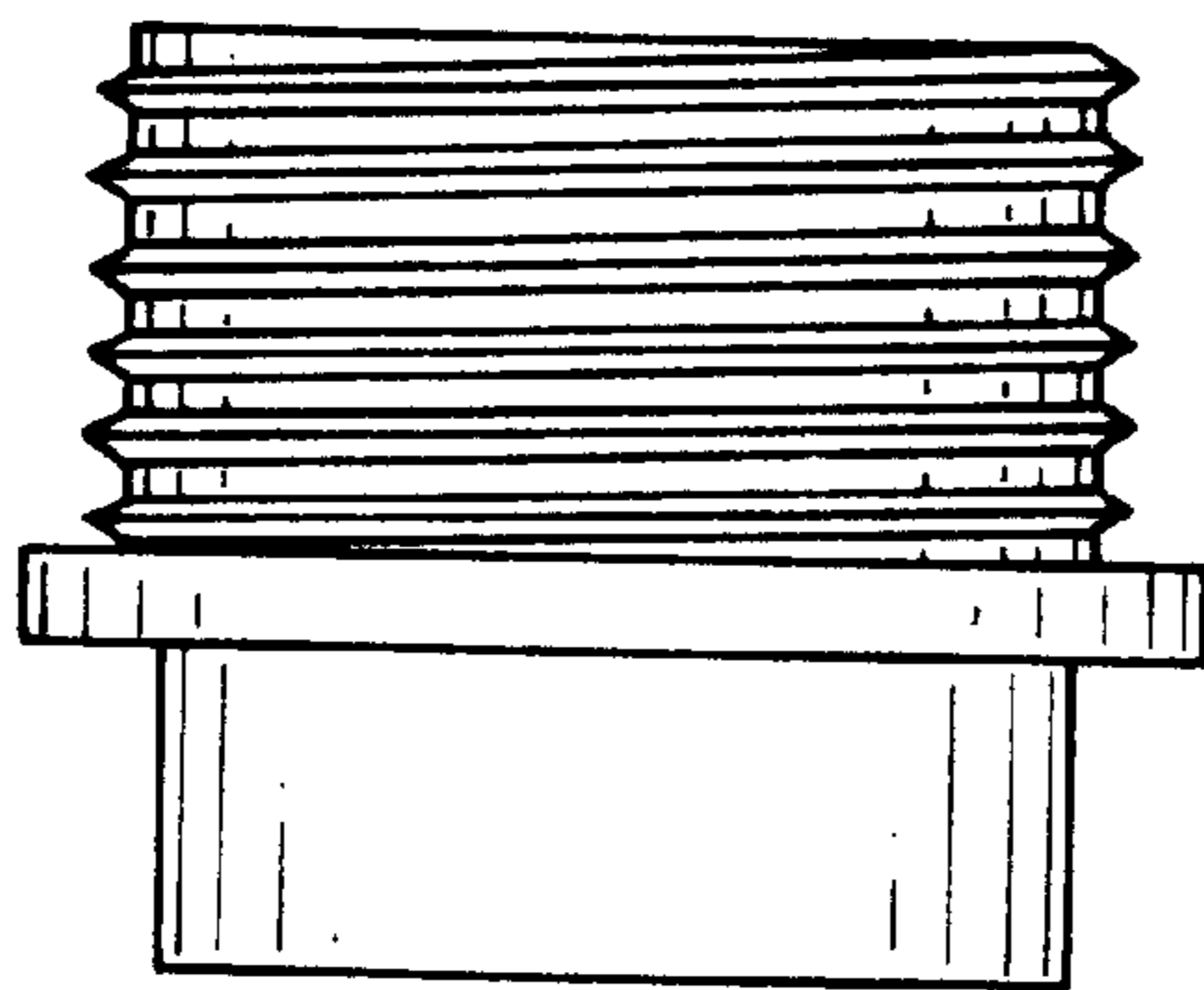


FIG. 4

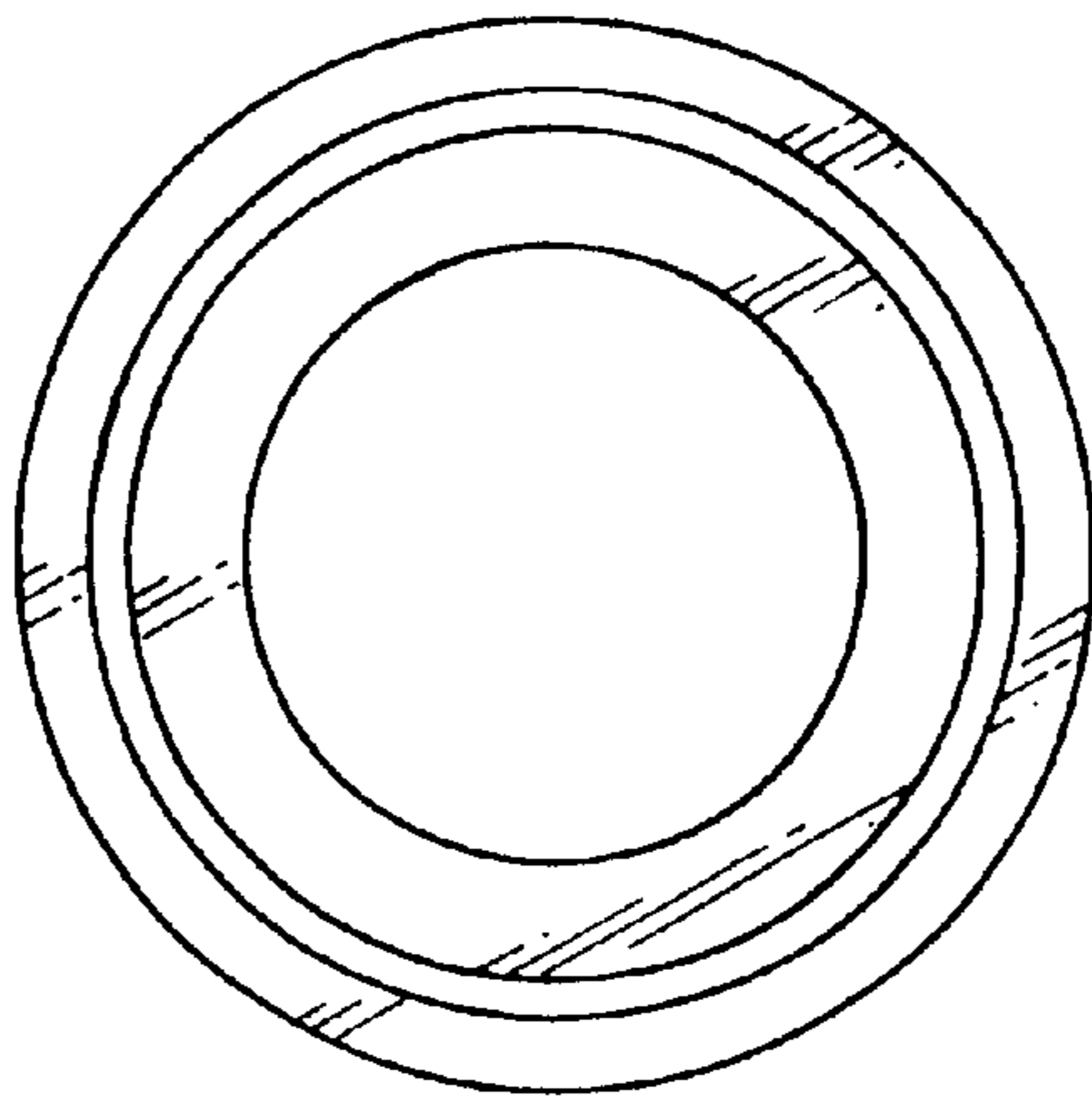


FIG. 5

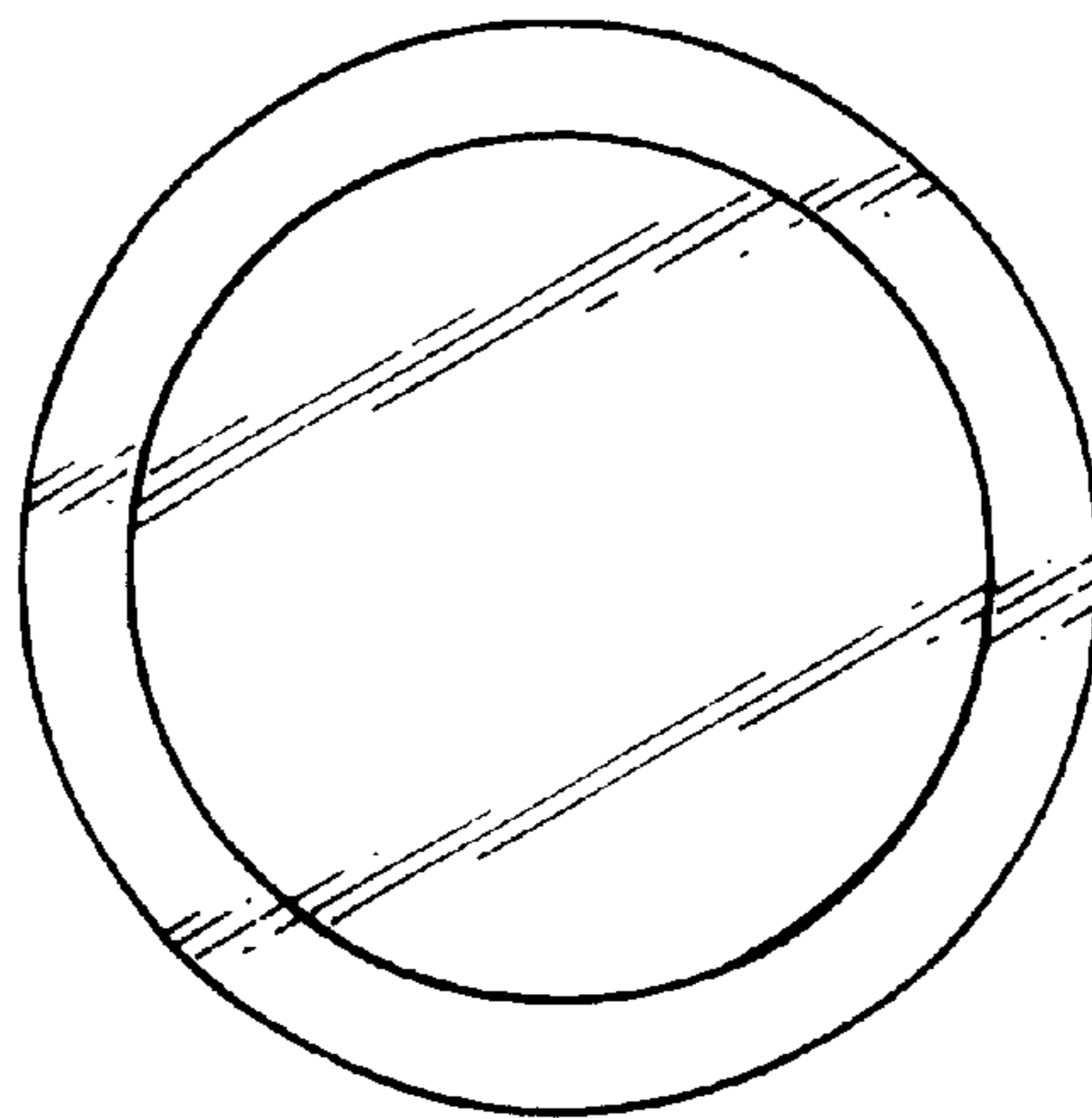


FIG. 6

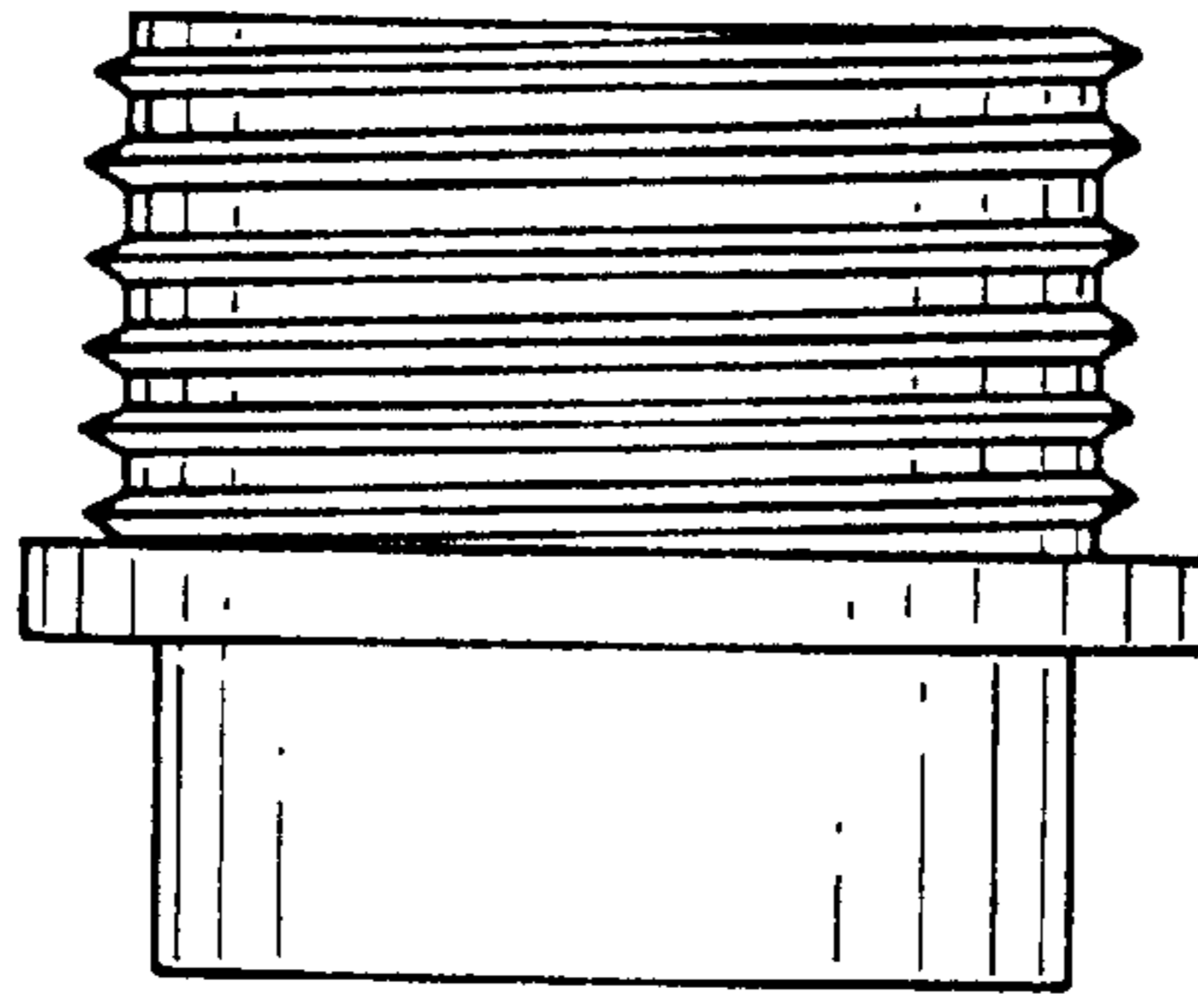


FIG. 7

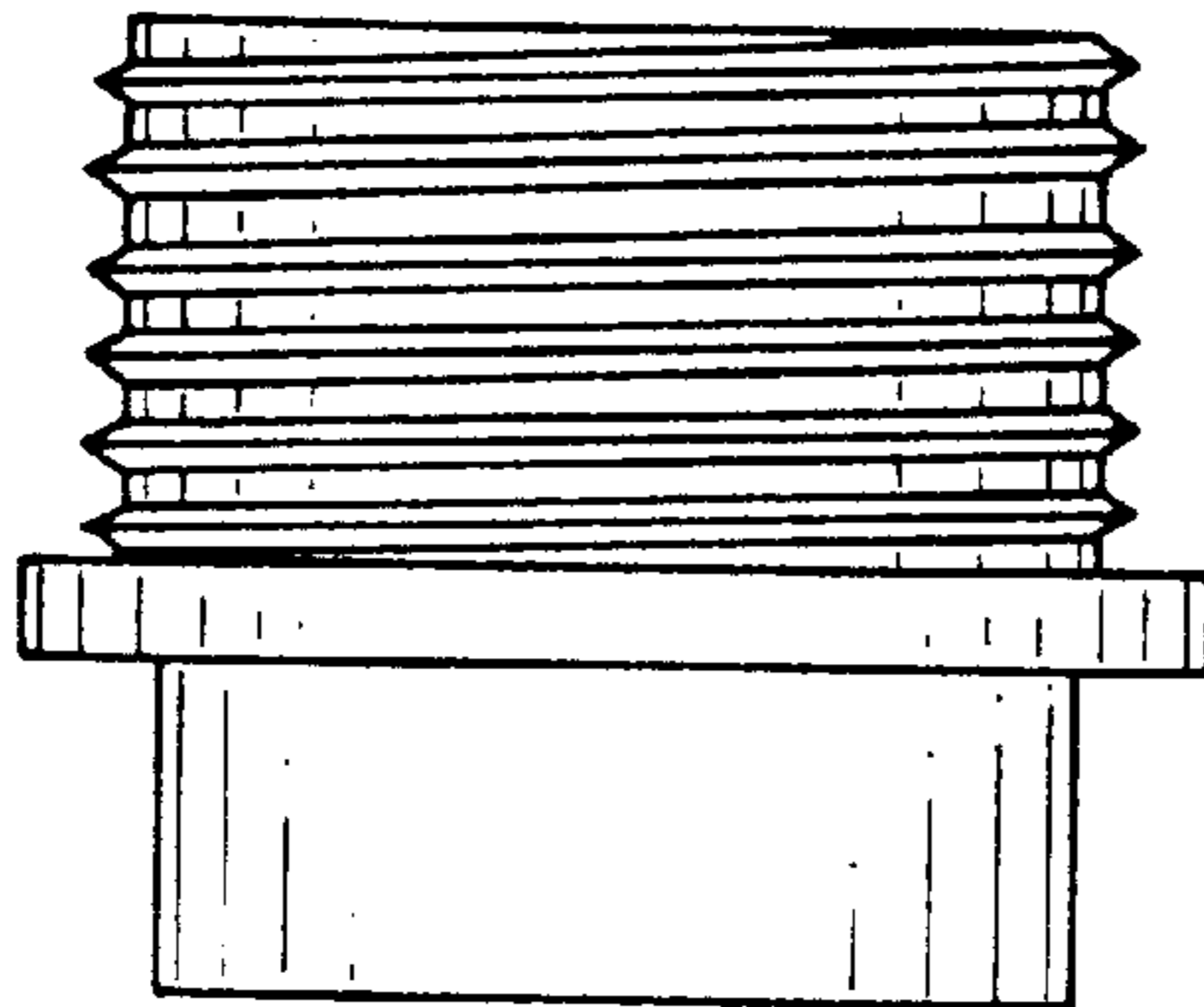


FIG. 8