



US00D452340B1

(12) **United States Design Patent**
Pickett et al.

(10) **Patent No.:** **US D452,340 S**

(45) **Date of Patent:** **** Dec. 18, 2001**

(54) **COUNTER LIGHT FIXTURE**

(75) Inventors: **Mark A. Pickett**, Pasadena; **Maer Skegin**, West Hollywood; **Scott Searle**, Encino, all of CA (US)

(73) Assignee: **CSL Lighting Manufacturing Inc.**, City of Industry, CA (US)

(**) Term: **14 Years**

(21) Appl. No.: **29/107,092**

(22) Filed: **Jun. 25, 1999**

(51) **LOC (7) Cl.** **26-05**

(52) **U.S. Cl.** **D26/76**

(58) **Field of Search** D26/72, 75, 76-77;
362/217, 218, 222, 223

(56) **References Cited**

U.S. PATENT DOCUMENTS

D. 355,501	*	2/1995	Roos	D26/63
D. 412,592	*	8/1999	Kowalenko	D26/87
5,658,067	*	8/1997	Eagle et al.	362/222

* cited by examiner

Primary Examiner—Susan J. Lucas

(74) *Attorney, Agent, or Firm*—Natan Epstein; Beehler & Pavitt

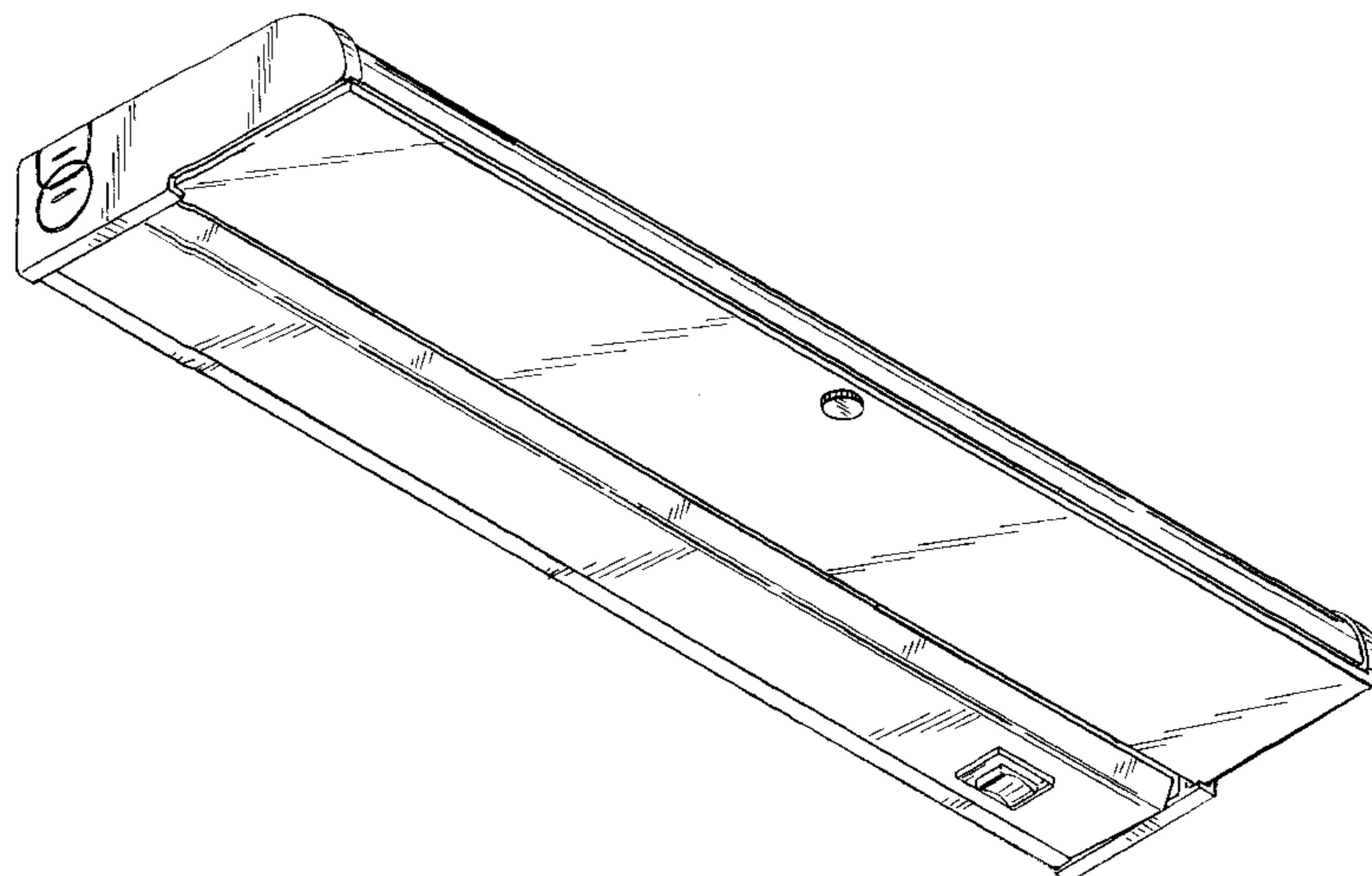
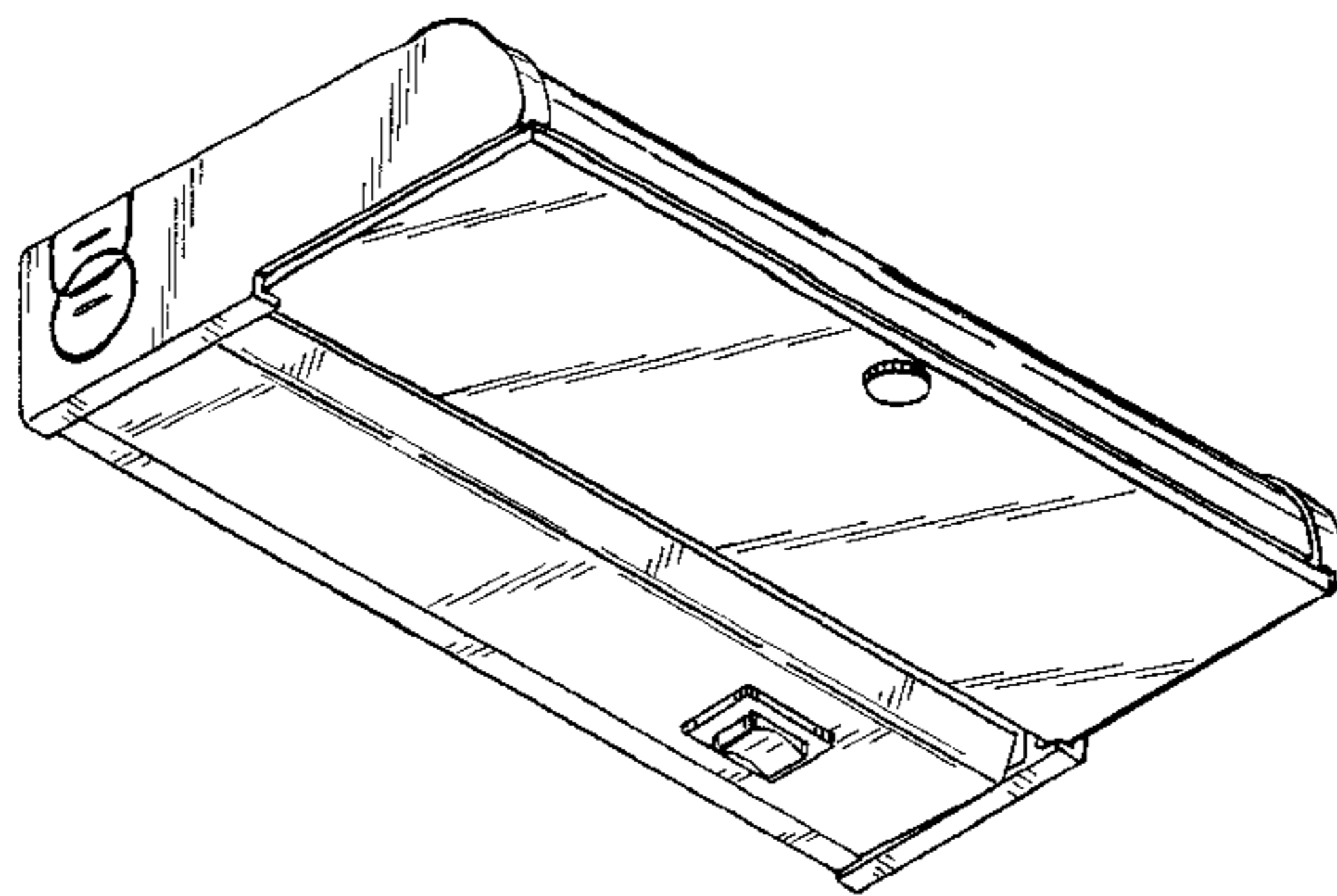
(57) **CLAIM**

The ornamental design for counter light fixture, as shown and described.

DESCRIPTION

FIG. 1 is a front bottom perspective view of the counter light fixture showing our design in a single lamp embodiment; FIG. 2 is a front view thereof; FIG. 3 is a bottom view thereof; FIG. 4 is a left side view thereof; FIG. 5 is a right side view thereof; FIG. 6 is a top plan view thereof; FIG. 7 is a rear view thereof; FIG. 8 is a front bottom perspective view as in FIG. 1 with the translucent panel removed to show the lamp and reflector arrangement therein; FIG. 9 is a front bottom perspective view showing our design in a two-lamp embodiment, wherein the left and right side views are identical to those of FIGS. 4 and 5, respectively; FIG. 10 is a top plan view of our second embodiment; FIG. 11 is a rear view of our second embodiment; FIG. 12 is a front bottom perspective view showing our design in a three-lamp embodiment, wherein the left and right side views are identical to those of FIGS. 4 and 5, respectively; FIG. 13 is a top plan view of our third embodiment; and, FIG. 14 is rear view of our third embodiment.

1 Claim, 7 Drawing Sheets



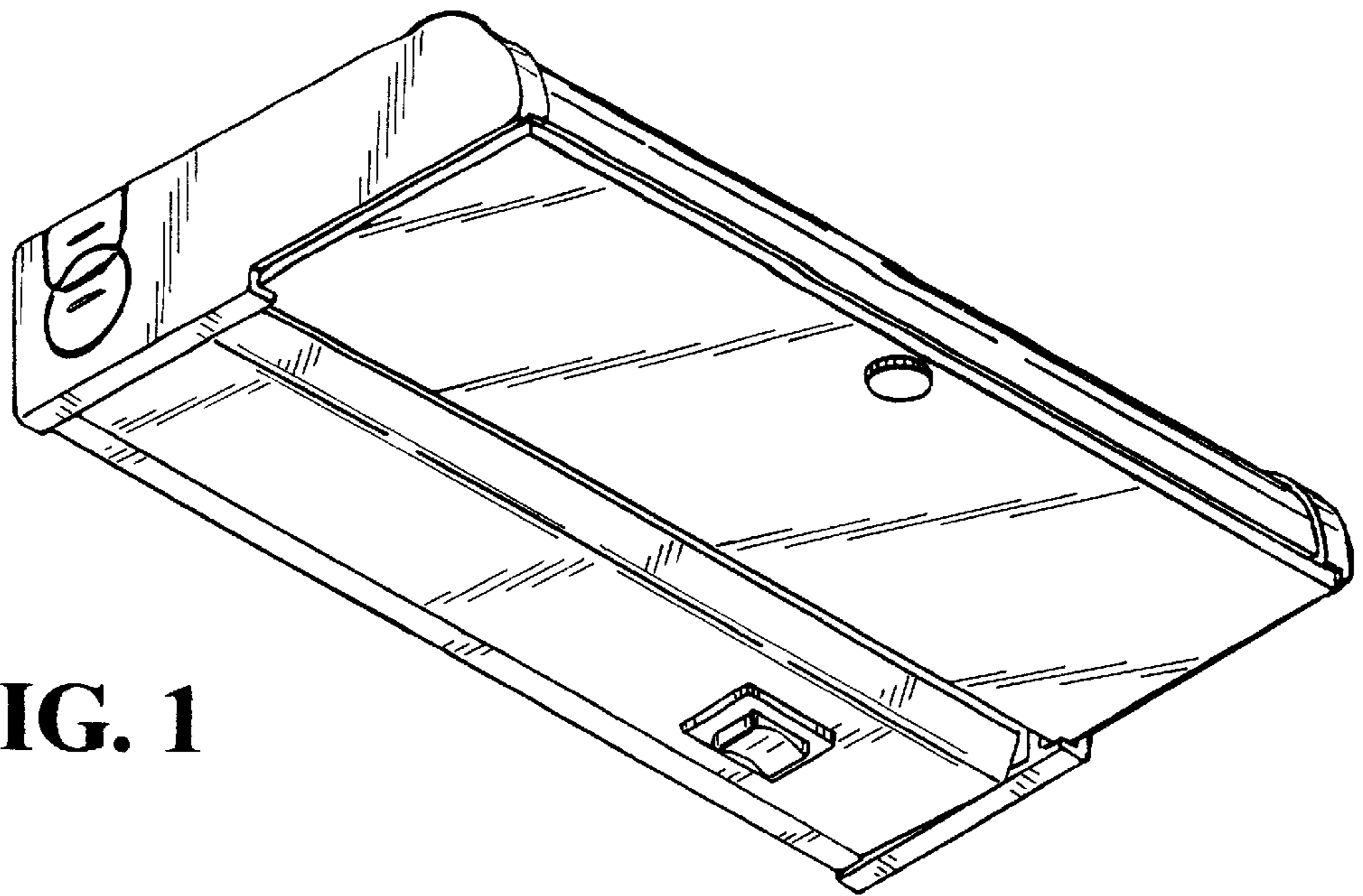


FIG. 1

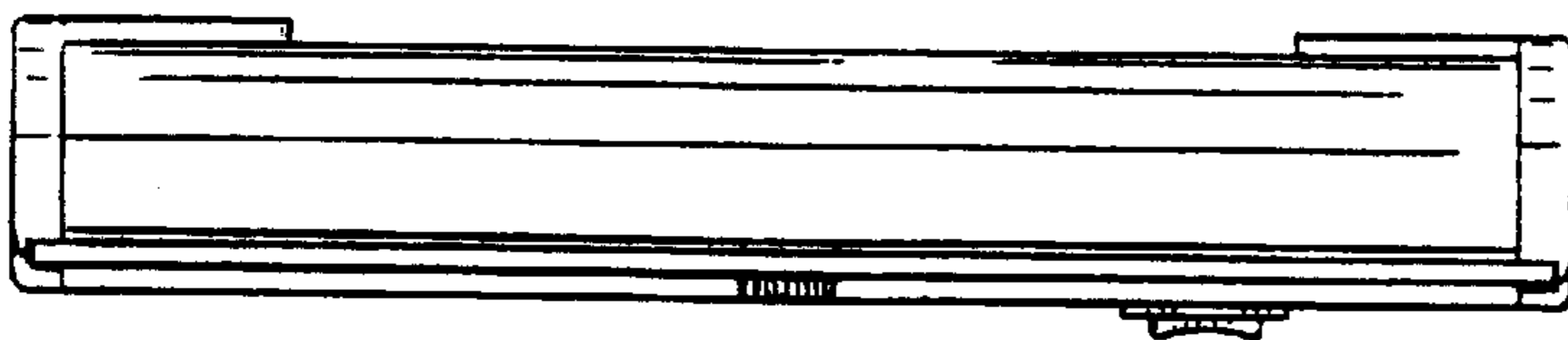


FIG. 2

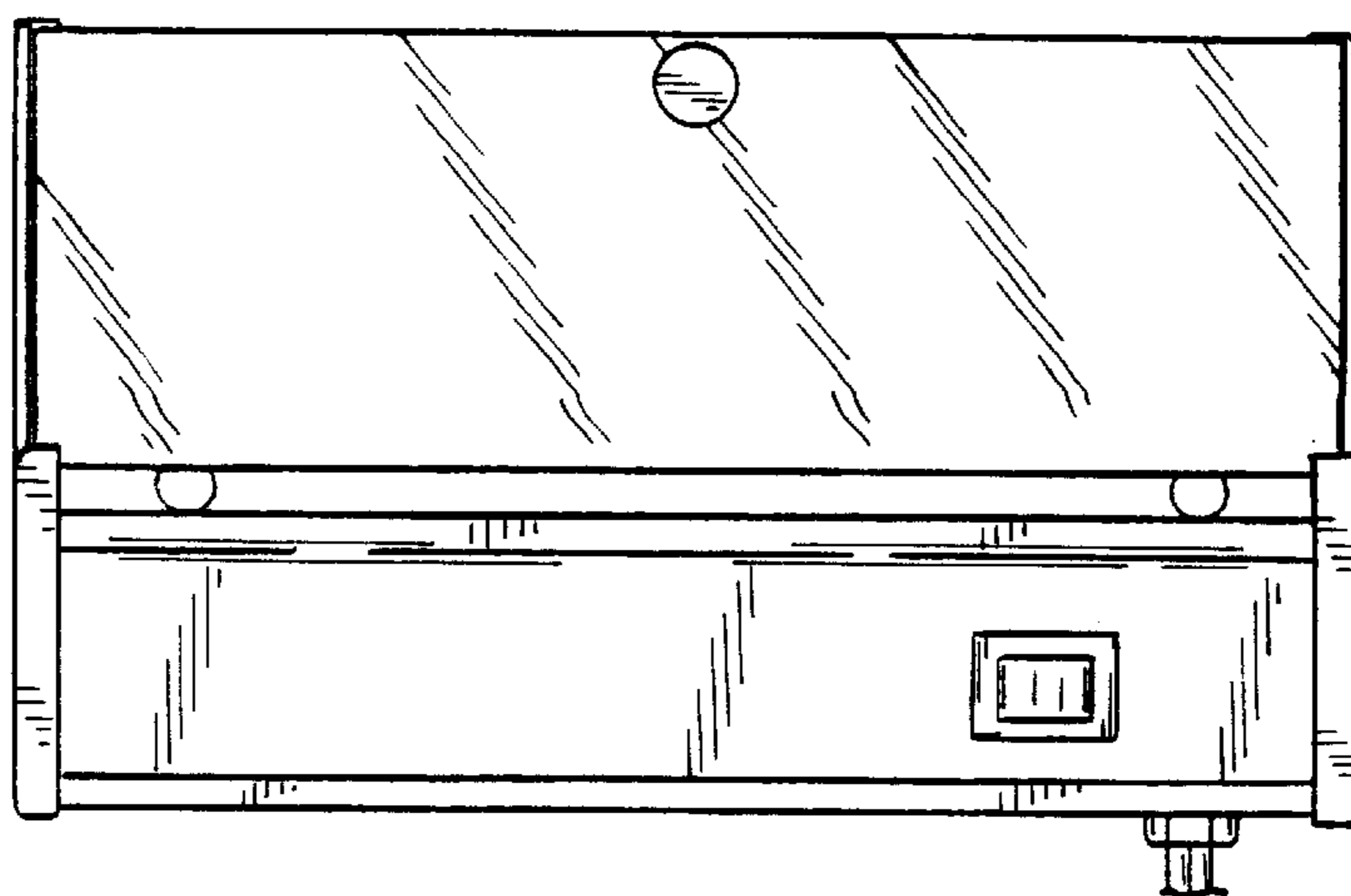


FIG. 3

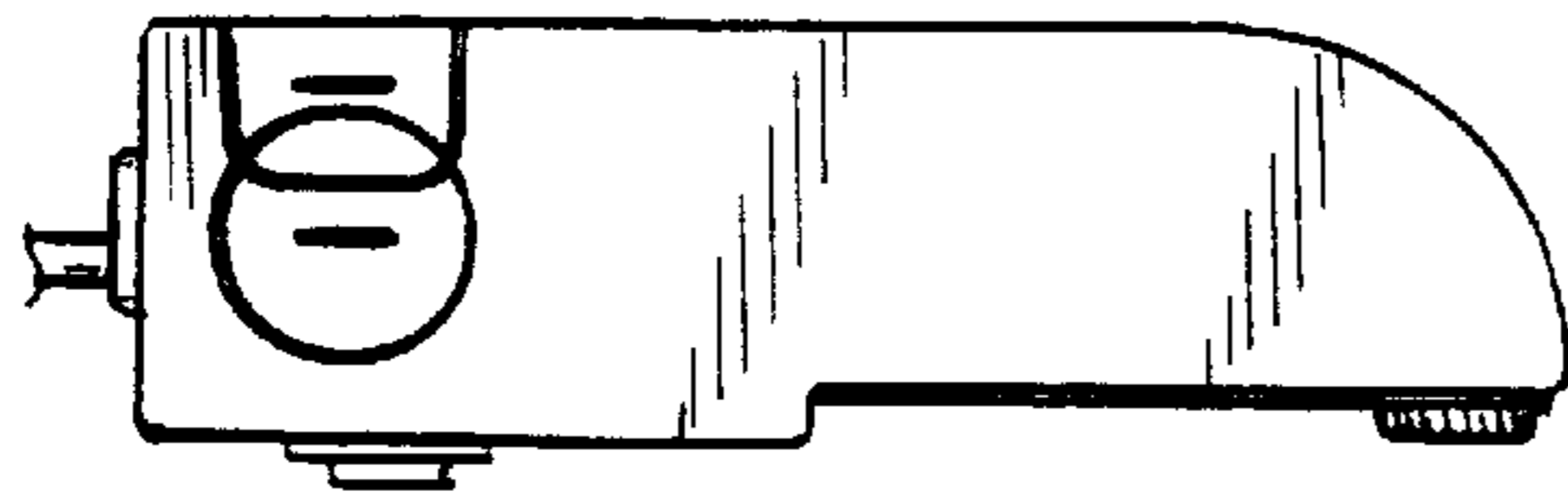


FIG. 4

FIG. 6

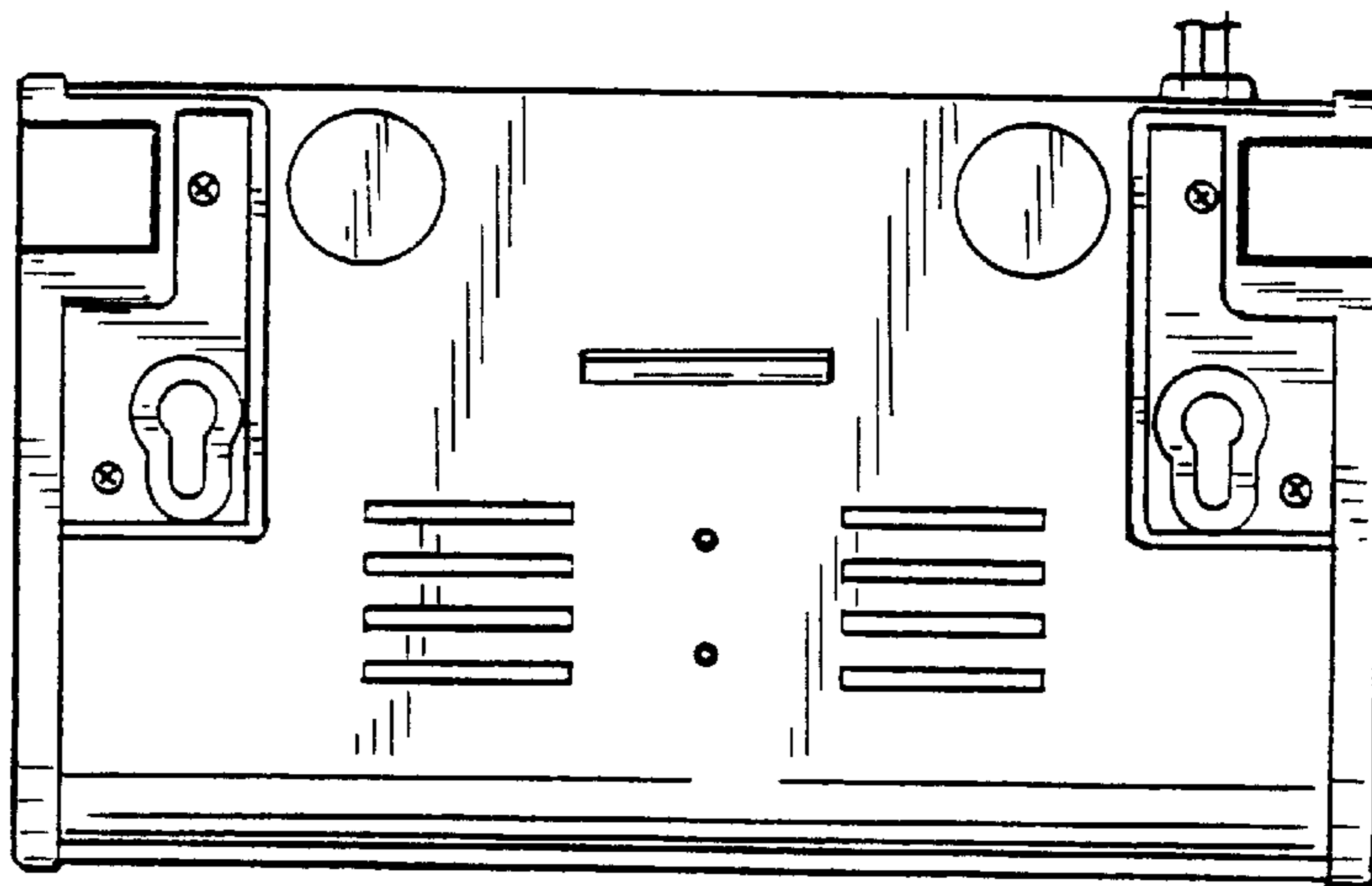


FIG. 7

FIG. 5

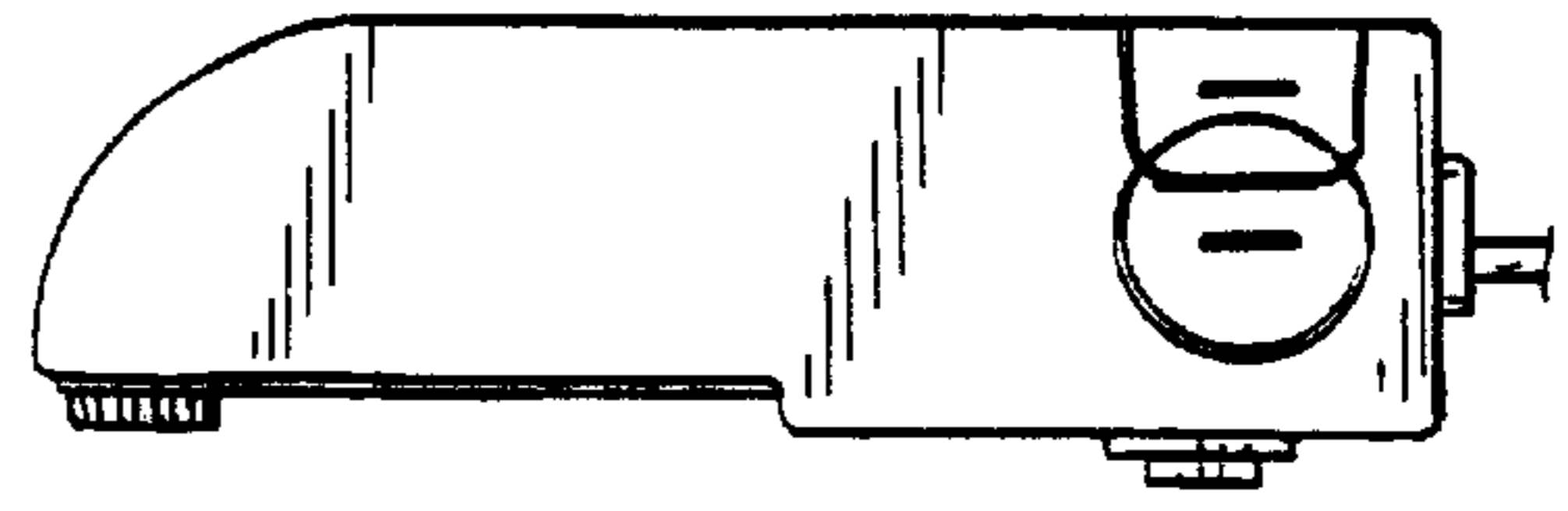


FIG. 8

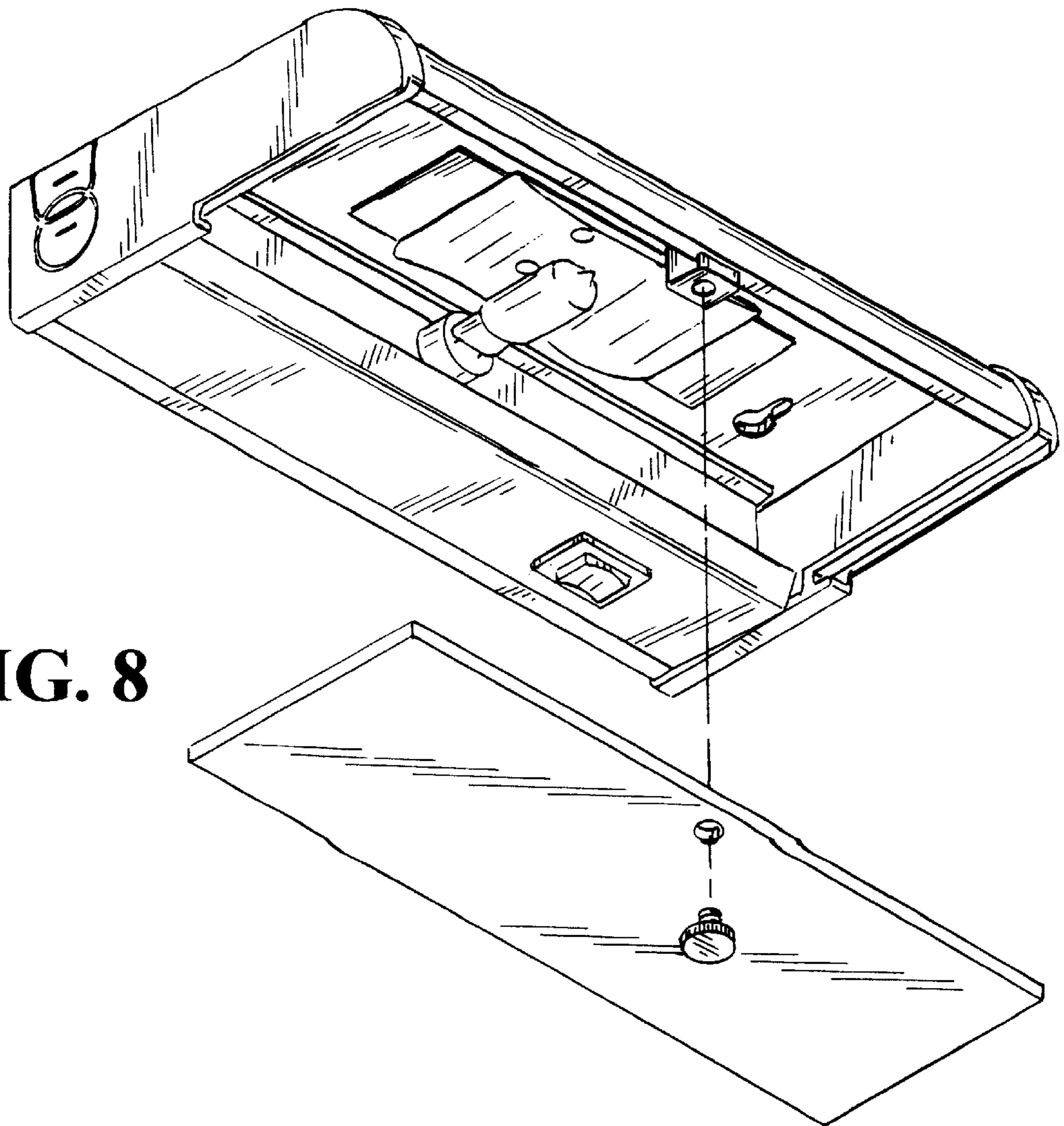


FIG. 9

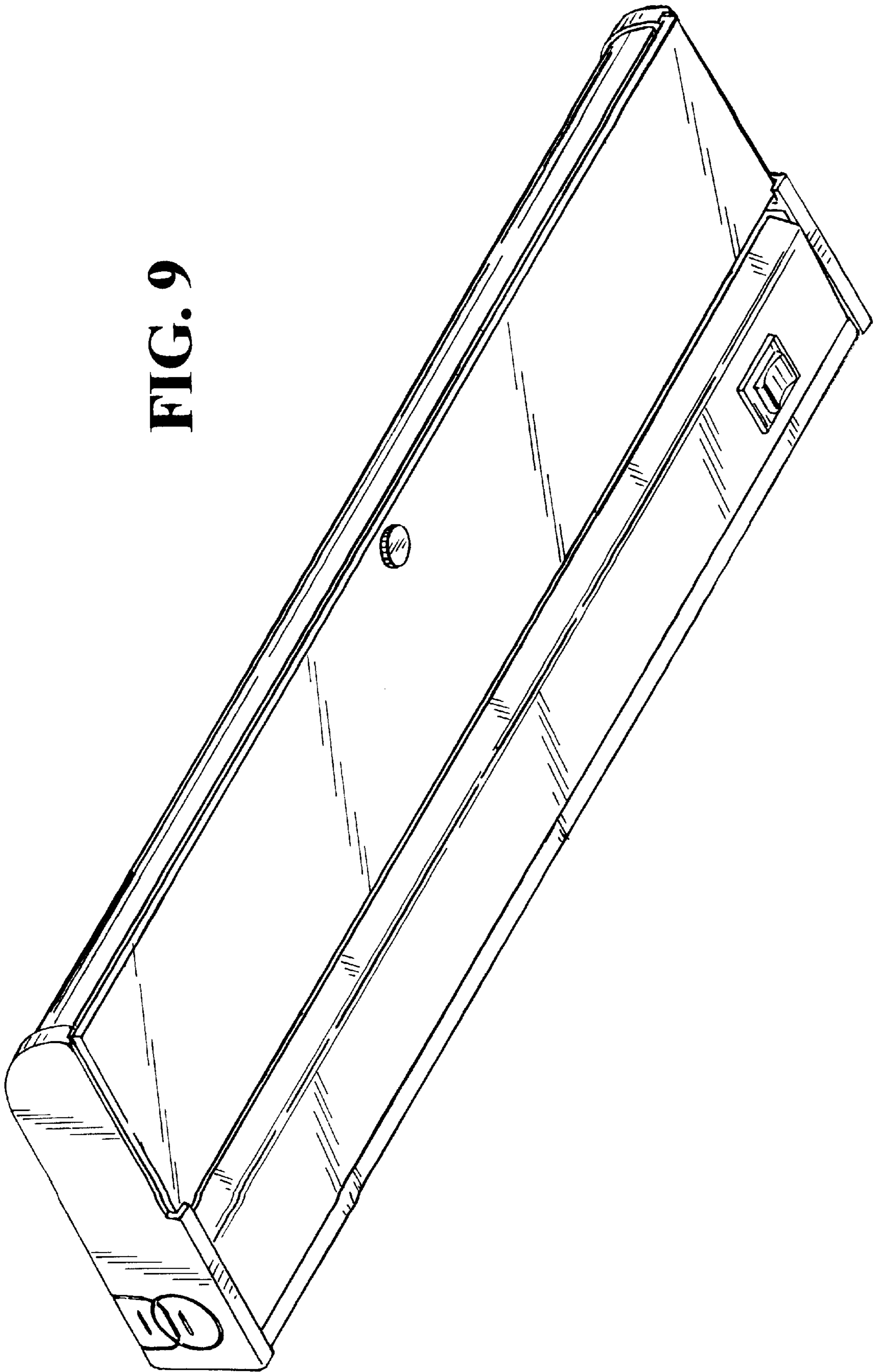


FIG. 10

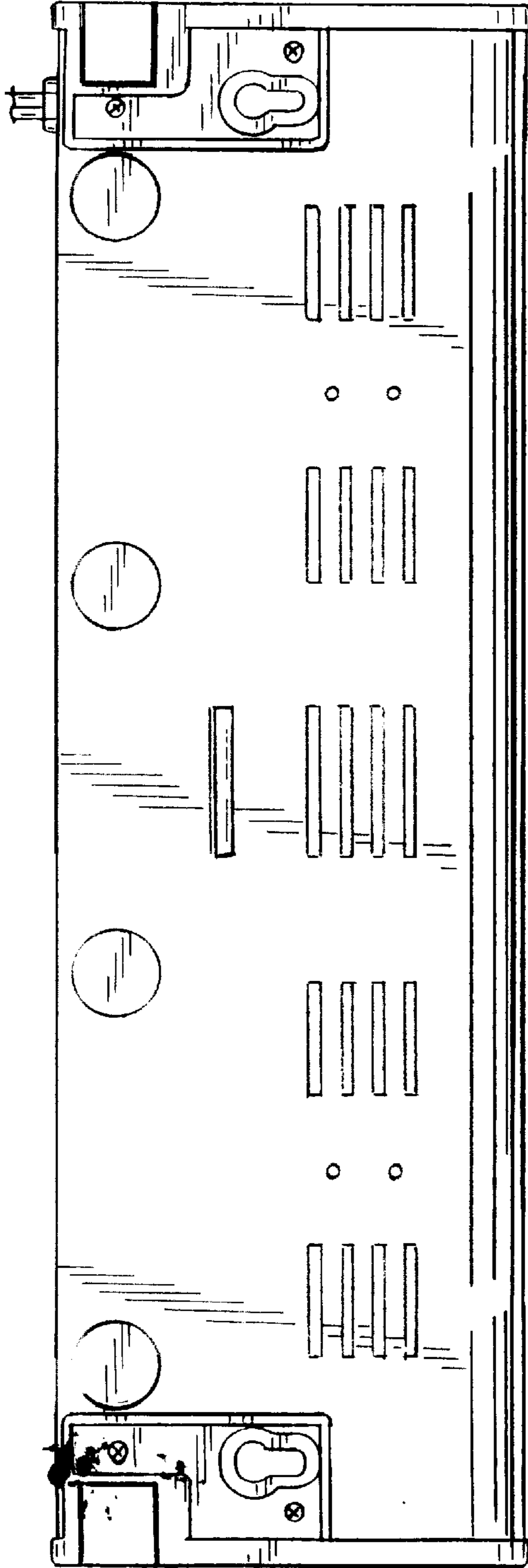


FIG. 11

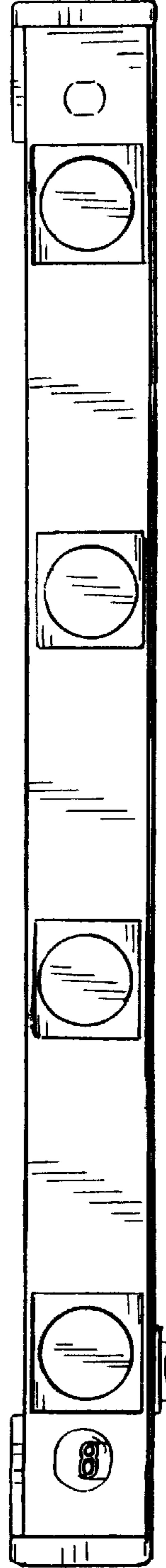
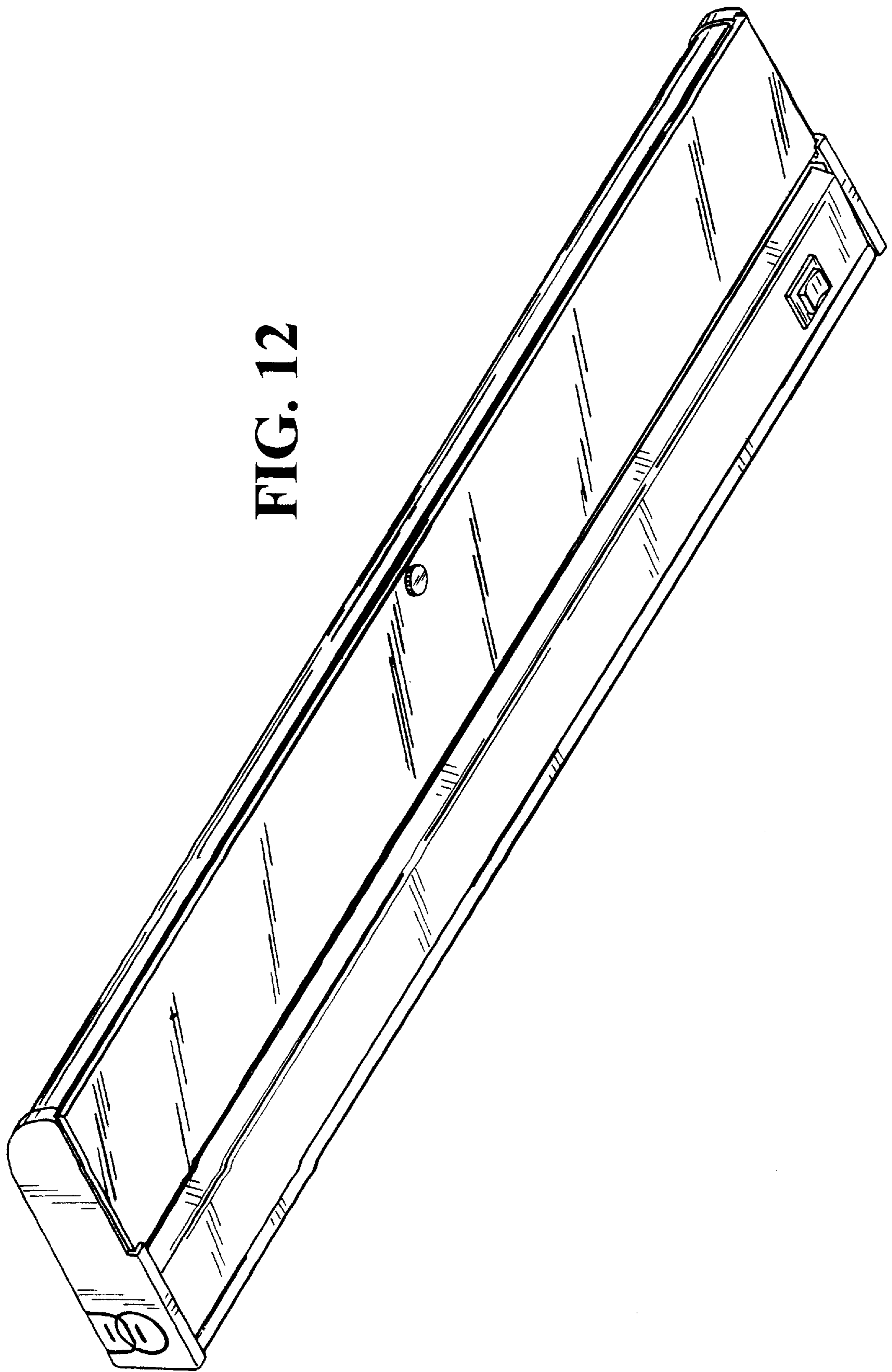


FIG. 12



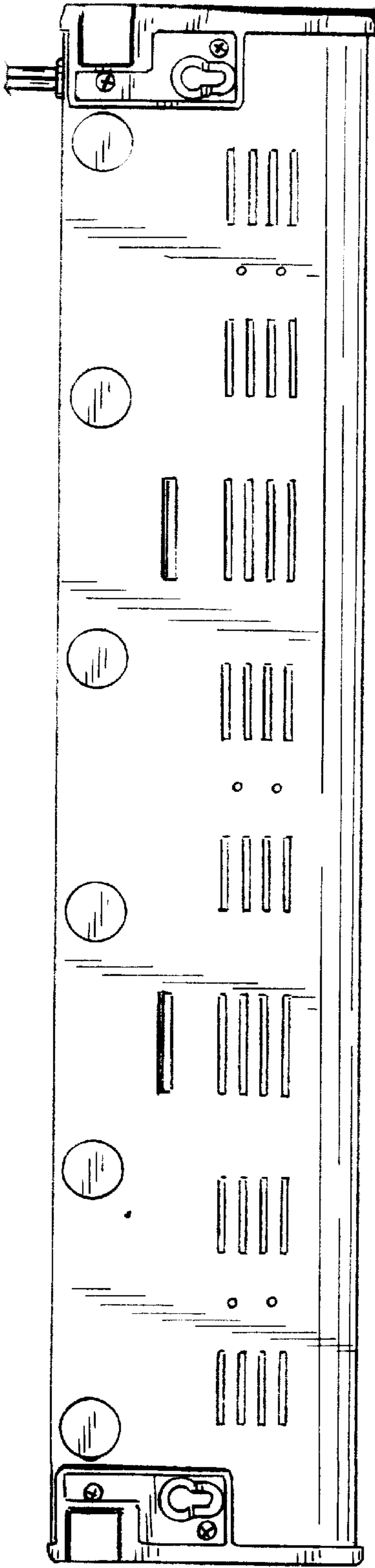


FIG. 13



FIG. 14