



US00D452339B1

(12) **United States Design Patent**
Outland et al.

(10) **Patent No.:** **US D452,339 S**

(45) **Date of Patent:** **** Dec. 18, 2001**

(54) **LAMP HEAD ASSEMBLY**

(75) Inventors: **Breck M. Outland**, Dallas; **Timothy S. Martinson**, Arlington; **James Maddux, III**, Carrollton; **J. Christopher Corry**, Dallas; **Michael C. Bell**, Emory; **Timothy W. Terleski**; **Staci A. Mininger**, both of Garland, all of TX (US)

(73) Assignee: **Vari-Lite, Inc.**, Dallas, TX (US)

(**) Term: **14 Years**

(21) Appl. No.: **29/087,552**

(22) Filed: **May 5, 1998**

(51) **LOC (7) Cl.** **26-06**

(52) **U.S. Cl.** **D26/63**

(58) **Field of Search** D26/60, 61, 63;
362/269, 277, 281, 283, 285, 287, 418,
419, 427, 286

(56) **References Cited**

U.S. PATENT DOCUMENTS

D. 366,712 * 1/1996 Hanson et al. D26/63

D. 372,550 * 8/1996 Stultz D26/63
D. 382,661 * 8/1997 Wong D26/63
5,176,442 * 1/1993 Richardson 362/286

* cited by examiner

Primary Examiner—Susan J. Lucas

(74) *Attorney, Agent, or Firm*—Carr & Storm, L.L.P.

(57) **CLAIM**

We claim the ornamental design of a lamp head assembly, as shown and described.

DESCRIPTION

FIG. 1 is a perspective view of a lamp head assembly showing the front, top, and side thereof, including a generally circular front lens;

FIG. 2 is a perspective view of a lamp head assembly showing the rear, bottom, and side thereof;

FIG. 3 is a front view thereof, including a generally circular front lens;

FIG. 4 is a side view thereof;

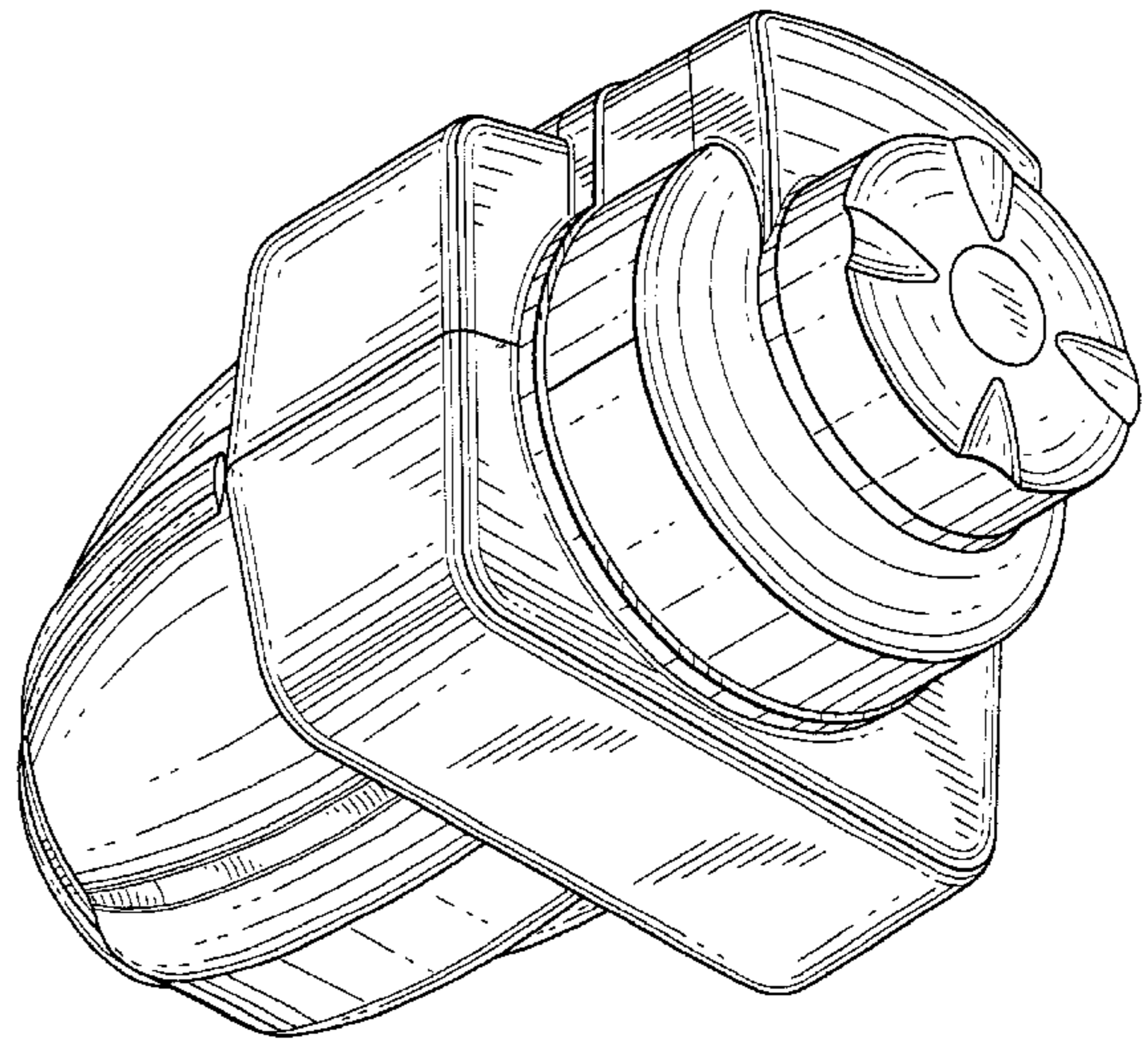
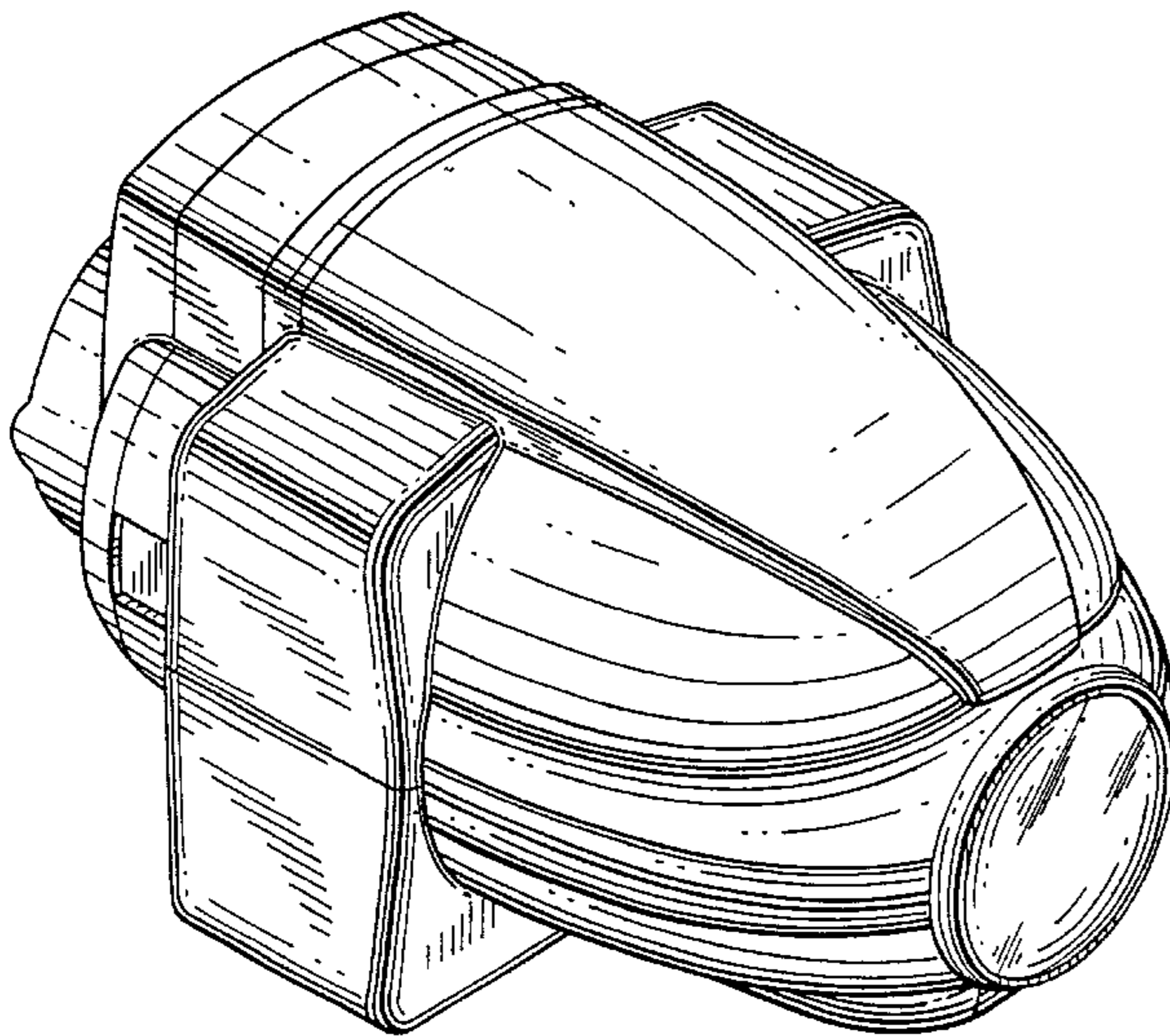
FIG. 5 is a rear view thereof;

FIG. 6 is another side view thereof;

FIG. 7 is a top view thereof; and,

FIG. 8 is a bottom view thereof.

1 Claim, 7 Drawing Sheets



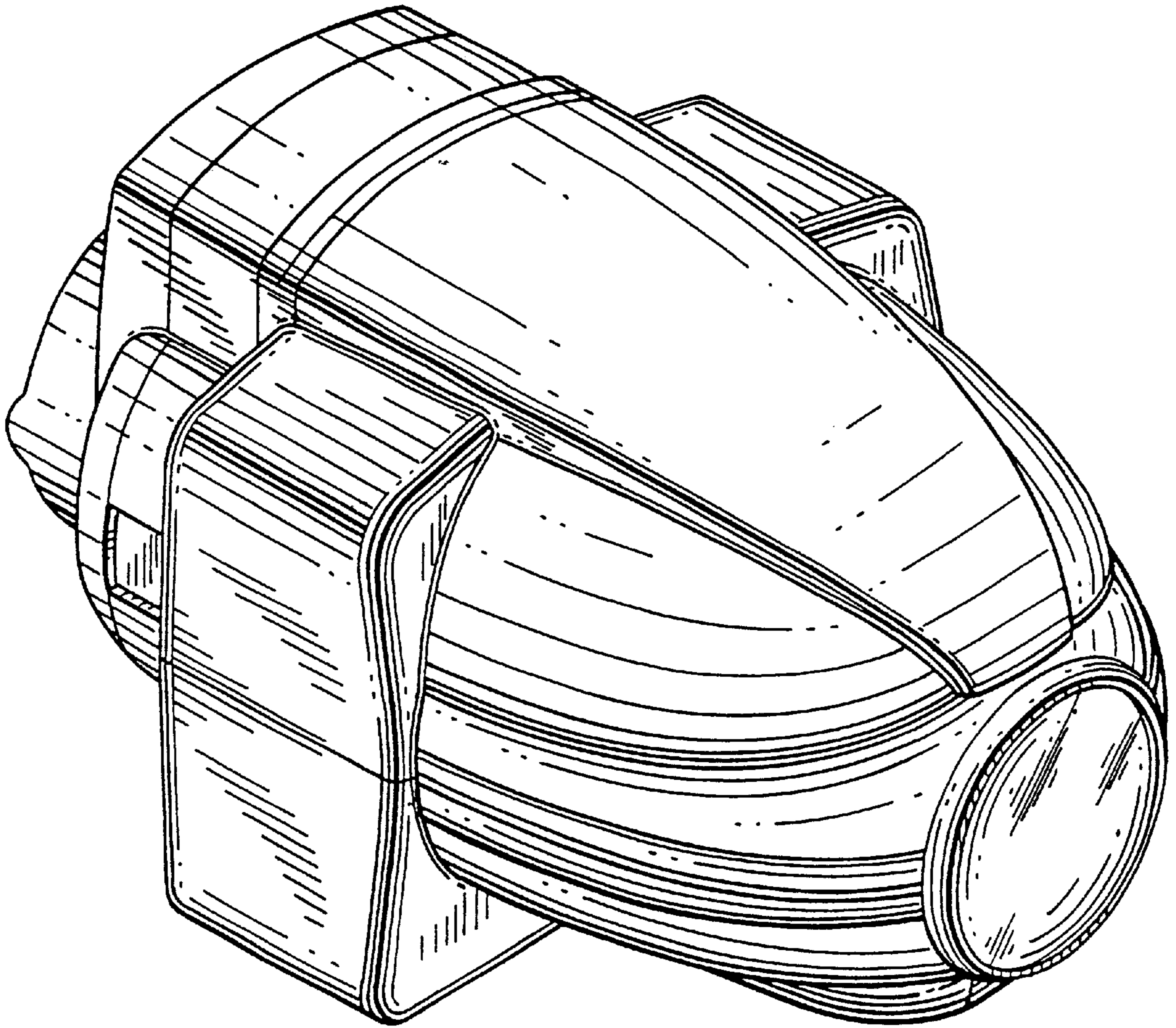


FIG. 1

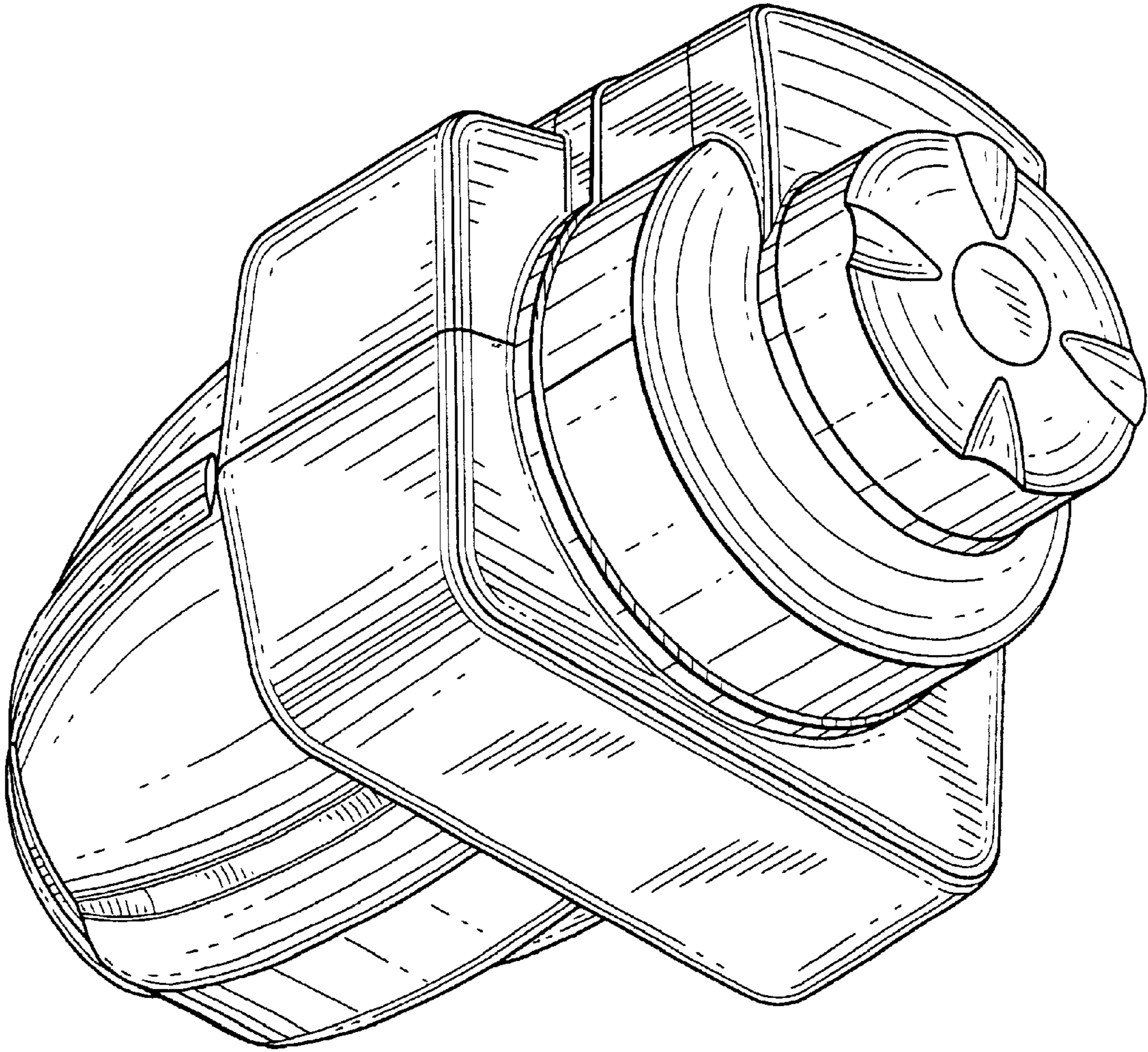


FIG. 2

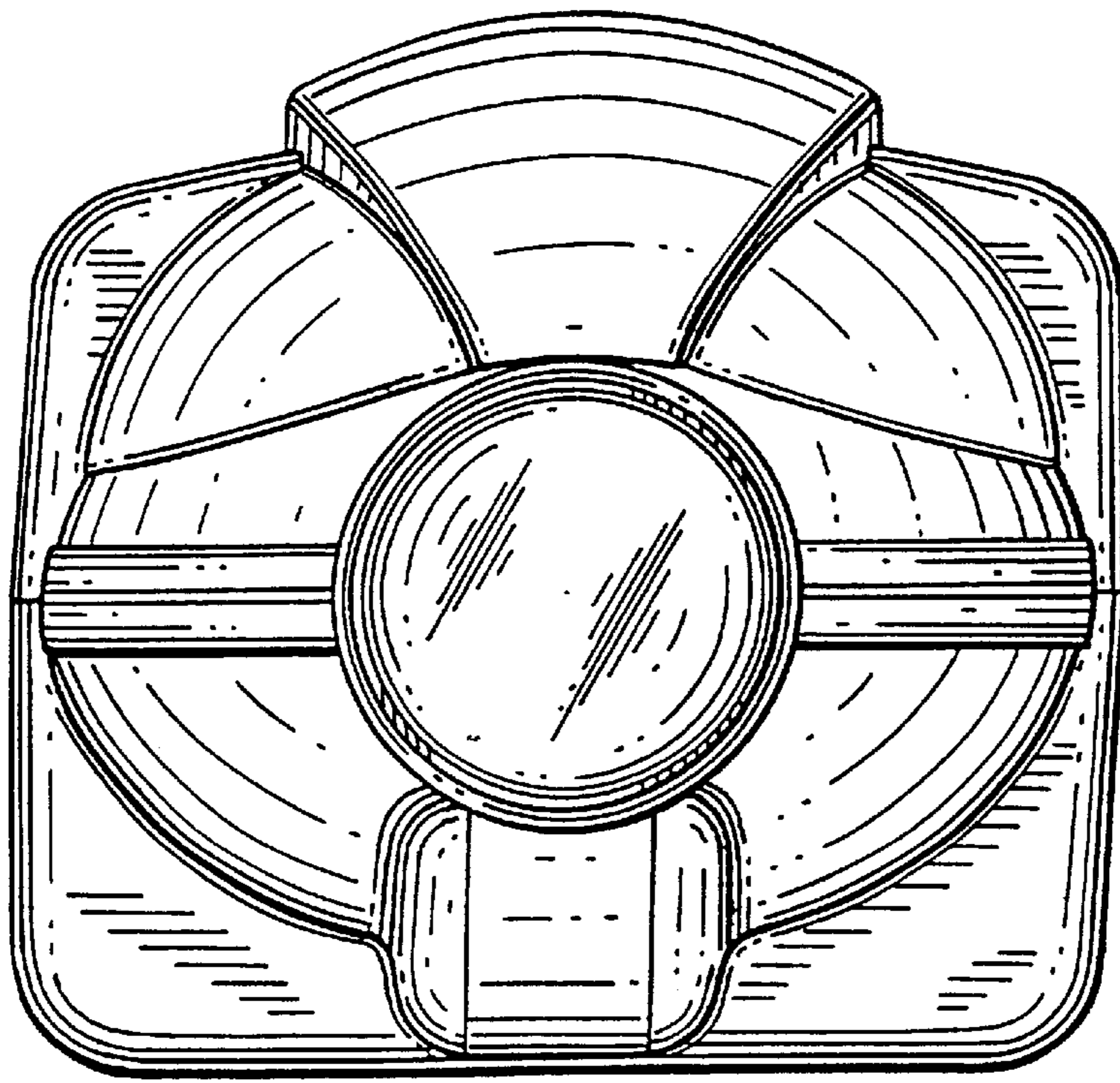


FIG. 3

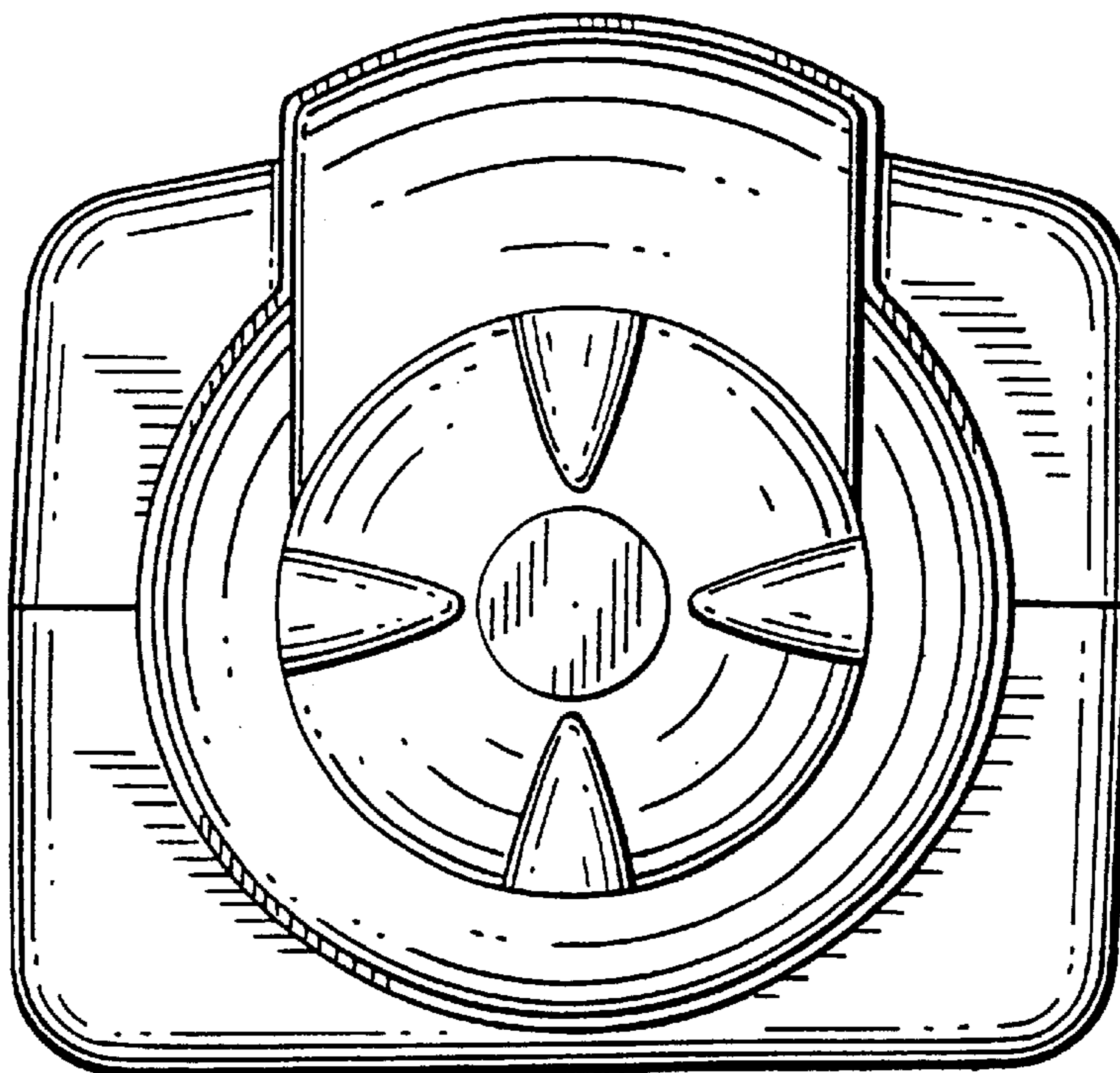


FIG. 5

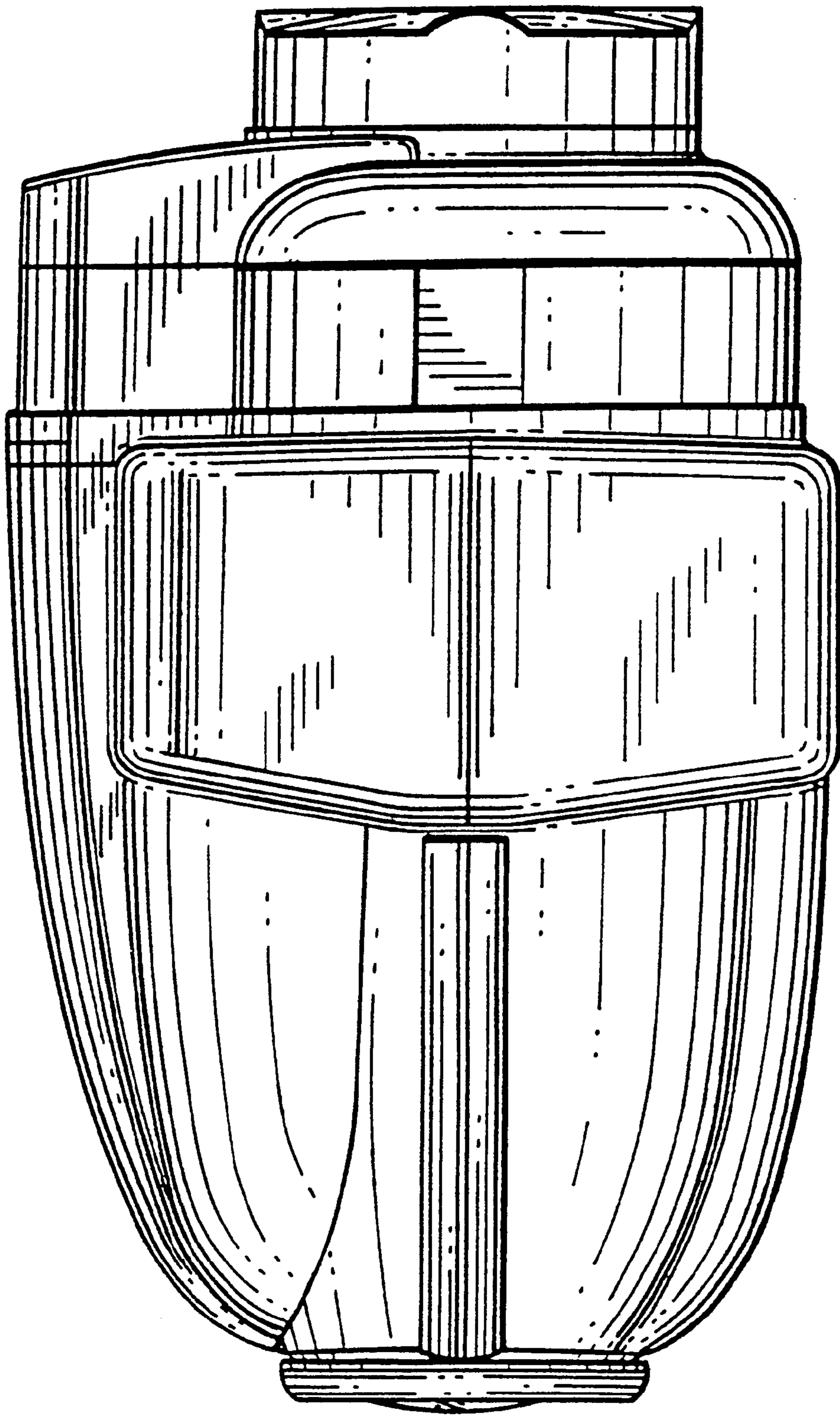


FIG. 4

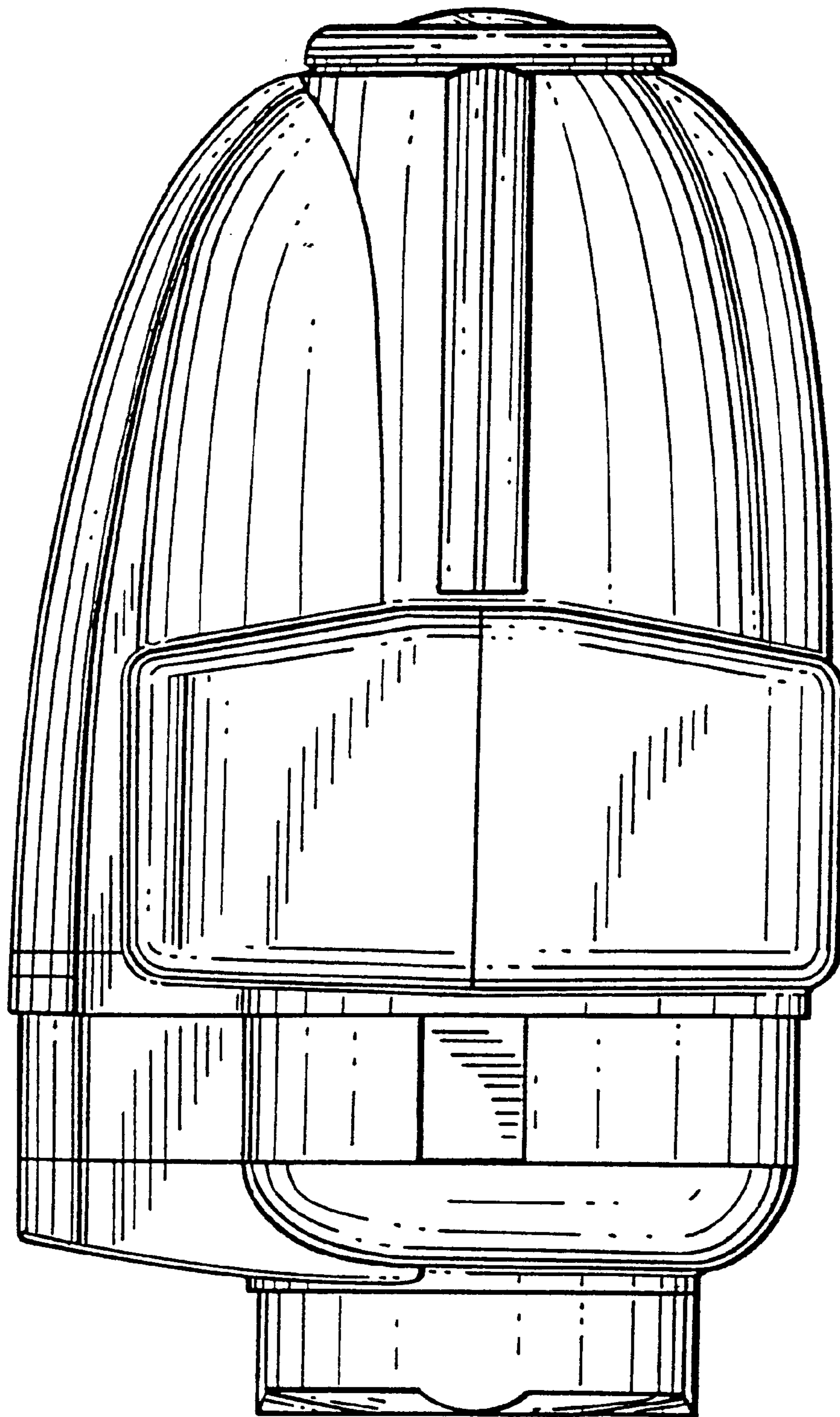


FIG. 6

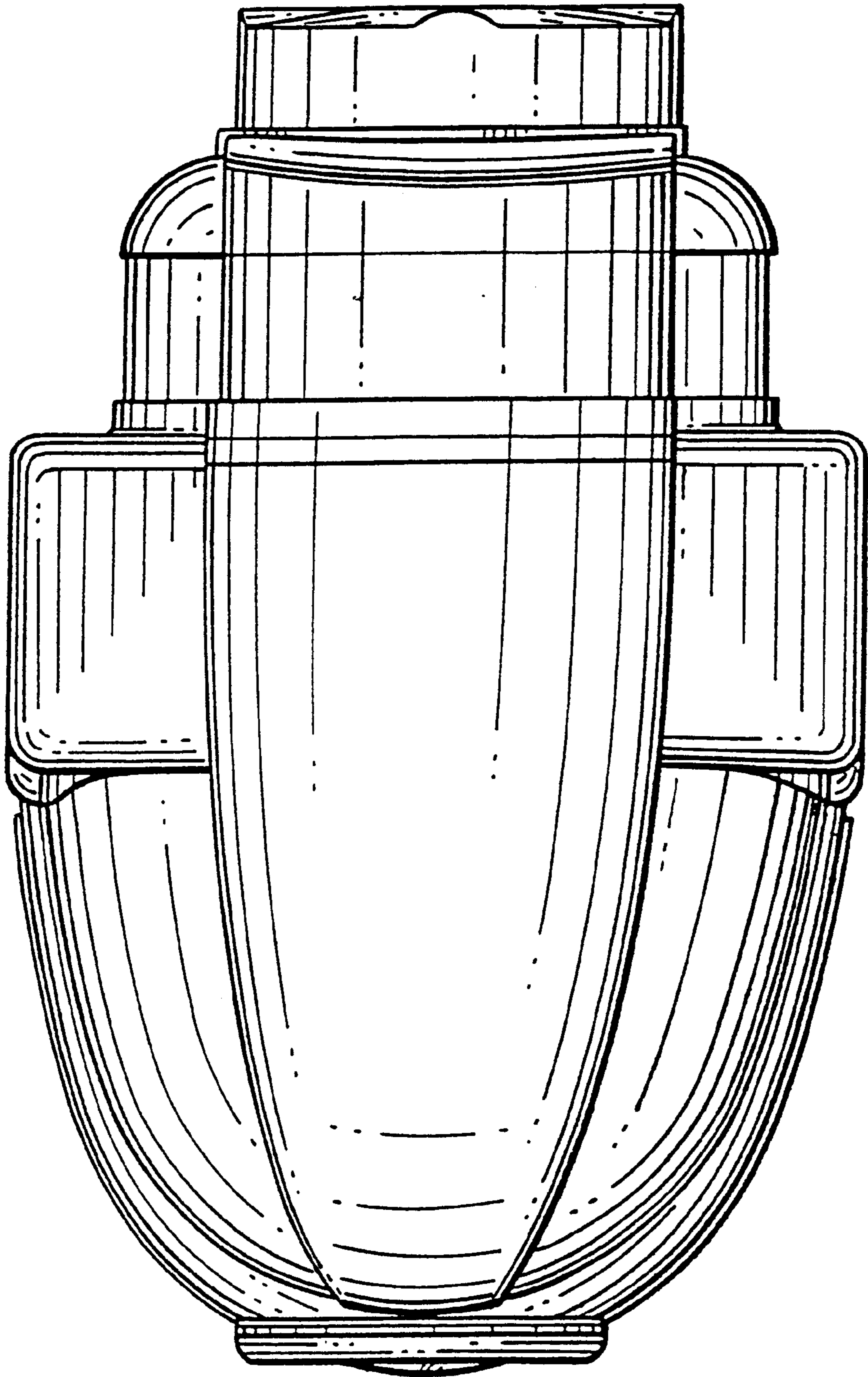


FIG. 7

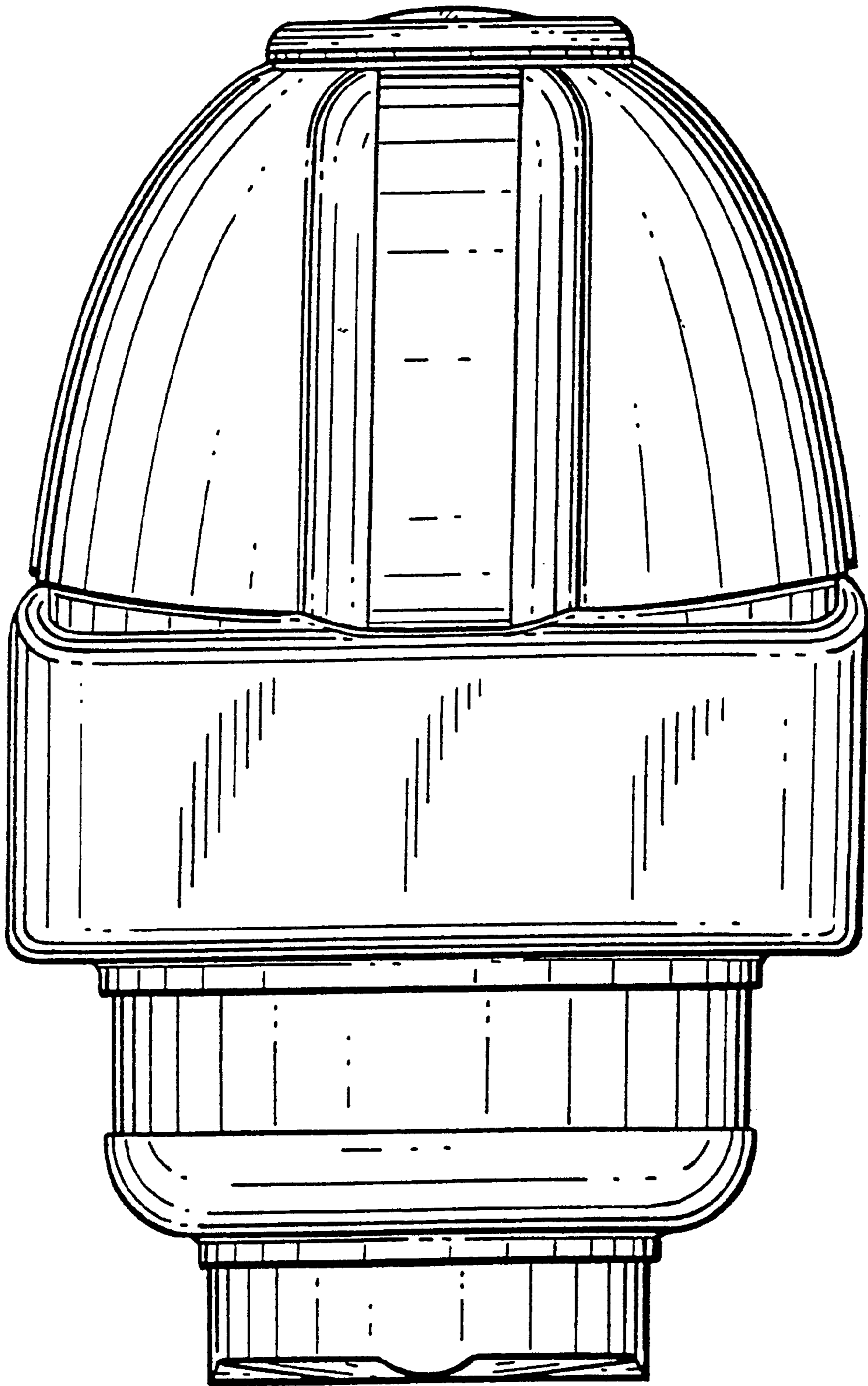


FIG. 8