



US00D452336B1

(12) **United States Design Patent**
Liu et al.

(10) **Patent No.:** **US D452,336 S**

(45) **Date of Patent:** **** Dec. 18, 2001**

(54) **NIGHT LIGHT**

(75) Inventors: **Scott P. Liu**, Loveland; **Gregory Deswarte**, Cincinnati, both of OH (US)

(73) Assignee: **General Electric Company**, Schenectady, NY (US)

(**) Term: **14 Years**

(21) Appl. No.: **29/137,597**

(22) Filed: **Feb. 22, 2001**

(51) **LOC (7) Cl.** **26-05**

(52) **U.S. Cl.** **D26/26**

(58) **Field of Search** D26/26, 25, 24,
D26/107, 110, 93, 104, 112; 362/147, 404,
226, 367, 276, 253

(56) **References Cited**

U.S. PATENT DOCUMENTS

D. 331,292	11/1992	Ham .	
D. 332,488	1/1993	Martin .	
D. 332,836	1/1993	Ham .	
D. 342,799	12/1993	Ham .	
D. 350,209	8/1994	Martin .	
D. 375,097	* 10/1996	Kovens D26/26
D. 379,539	* 5/1997	Yuen D26/26
D. 393,912	* 4/1998	Yuen D26/26
D. 409,317	* 5/1999	Yuen D26/26

D. 411,322	* 6/1999	Suzuki D26/24
D. 428,168	* 7/2000	Veach et al. D26/26
D. 430,945	* 9/2000	Ham D26/26
5,796,914	8/1998	Gatzemeyer et al.	.

FOREIGN PATENT DOCUMENTS

WO 98/11924 3/1998 (WO) .

* cited by examiner

Primary Examiner—Cynthia E. Ramirez

(74) *Attorney, Agent, or Firm*—Pearne & Gordon LLP

(57) **CLAIM**

The ornamental design for a night light, as shown and described.

DESCRIPTION

FIG. 1 is a perspective view of a night light, according to the invention;

FIG. 2 is a front elevational view of the night light of FIG. 1;

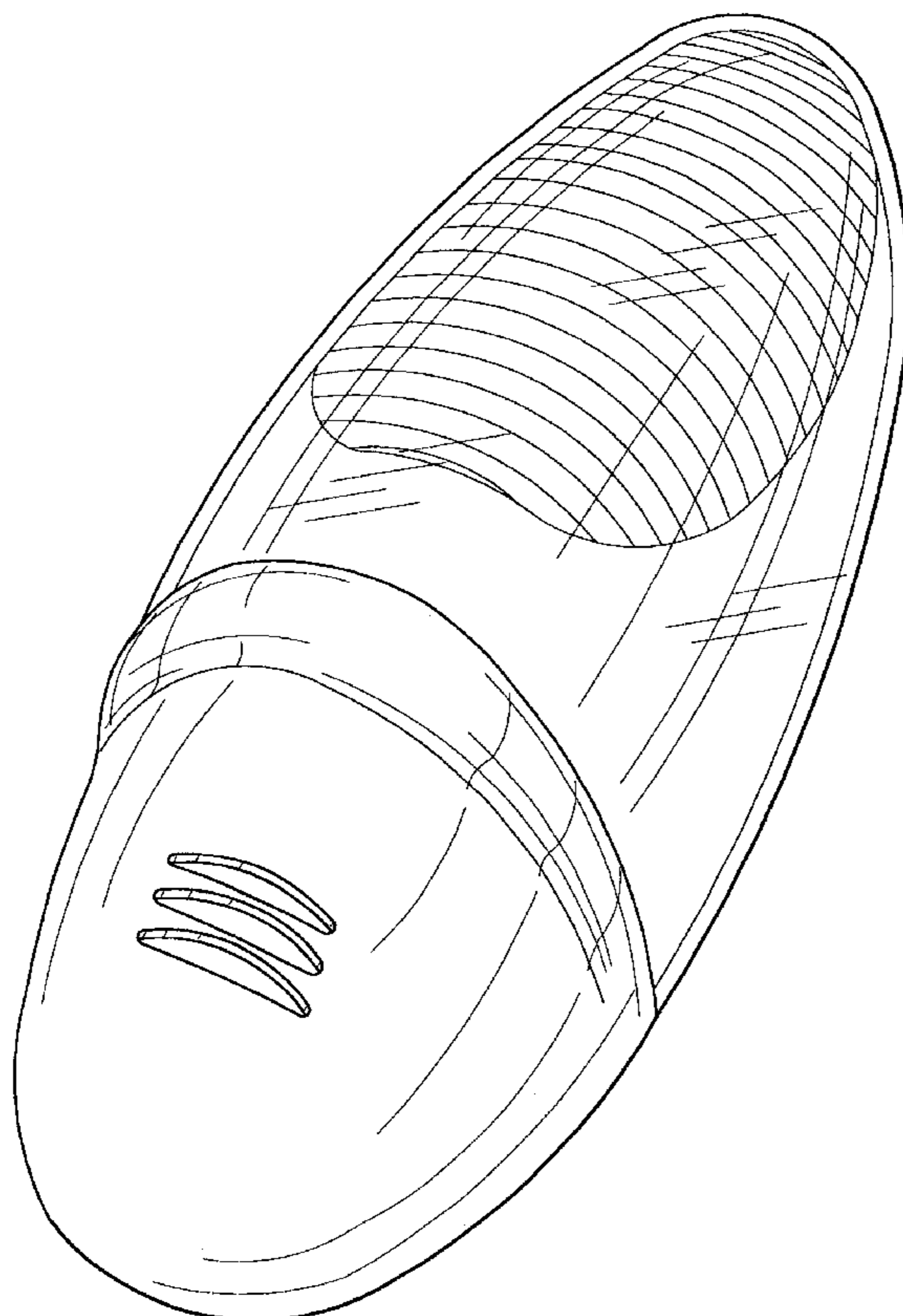
FIG. 3 is a right-side elevational view of the night light of FIG. 1, with the left-side view being a mirror image thereof;

FIG. 4 is a top plan view of the night light of FIG. 1;

FIG. 5 is a rear elevational view of the night light of FIG. 1; and,

FIG. 6 is a bottom plan view of the night light of FIG. 1.

1 Claim, 3 Drawing Sheets



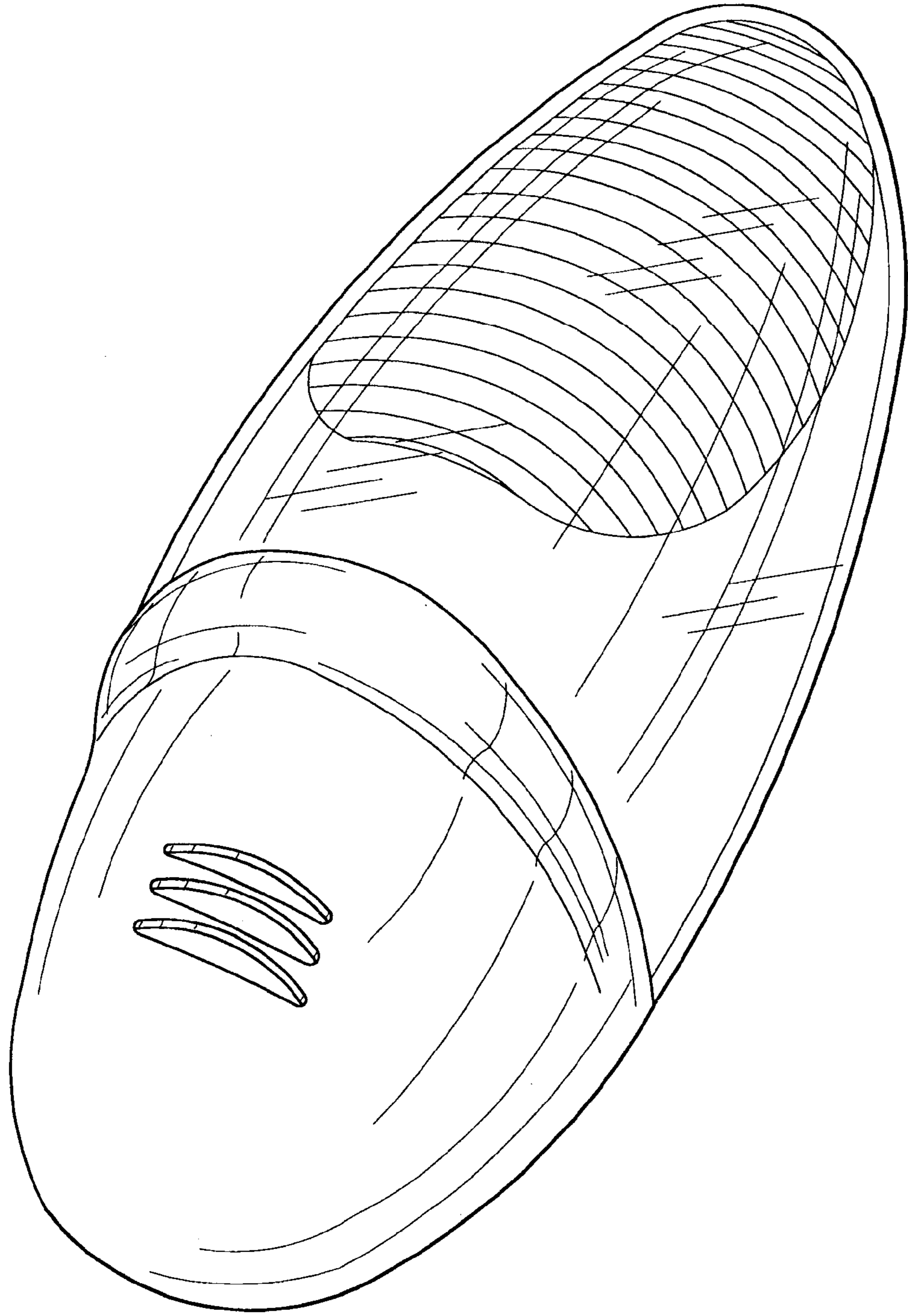


FIG. 1

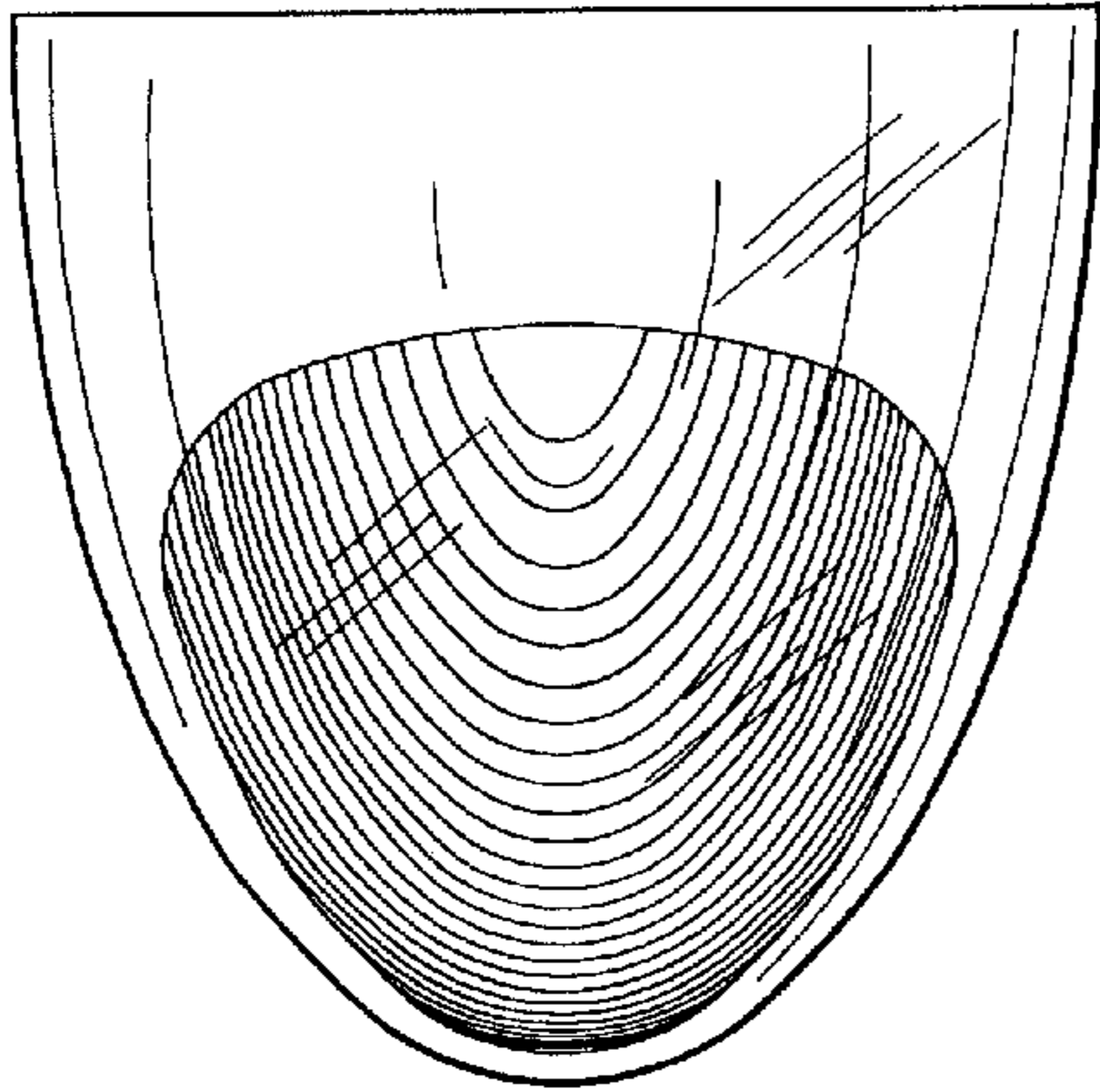


FIG. 4

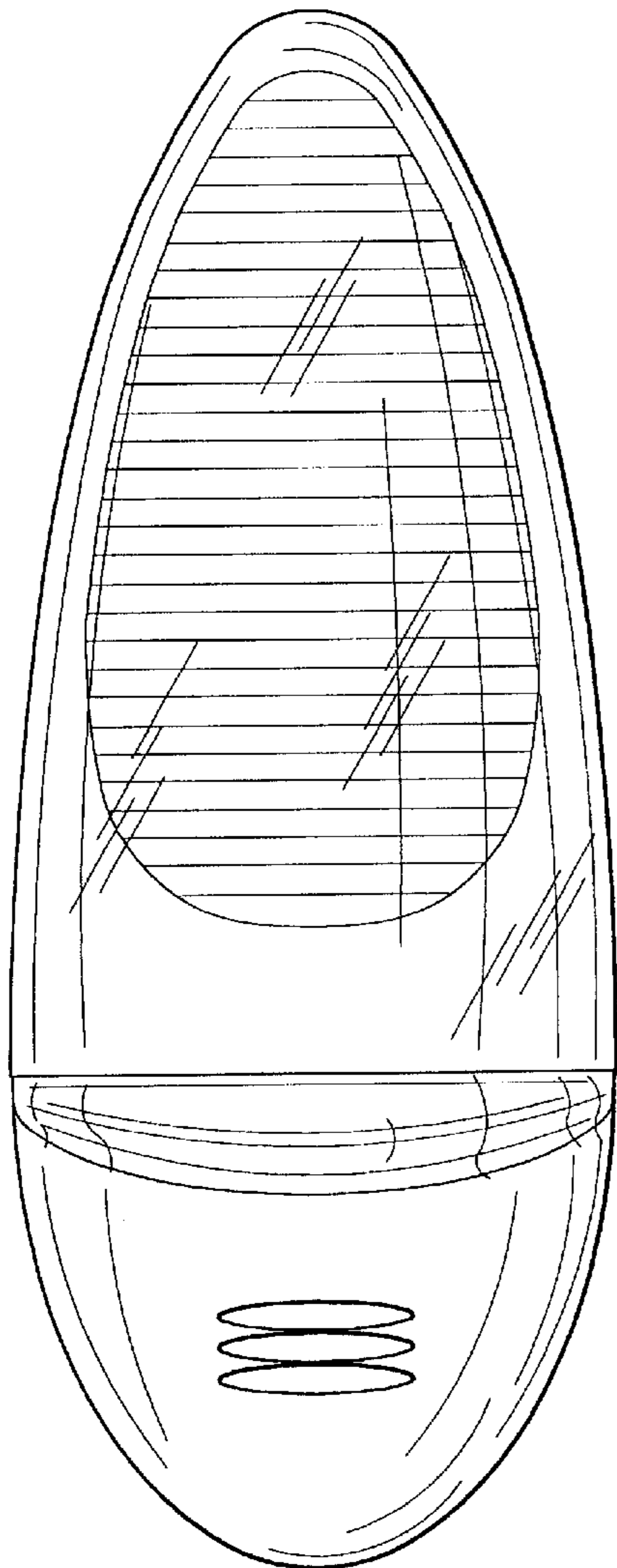


FIG. 2

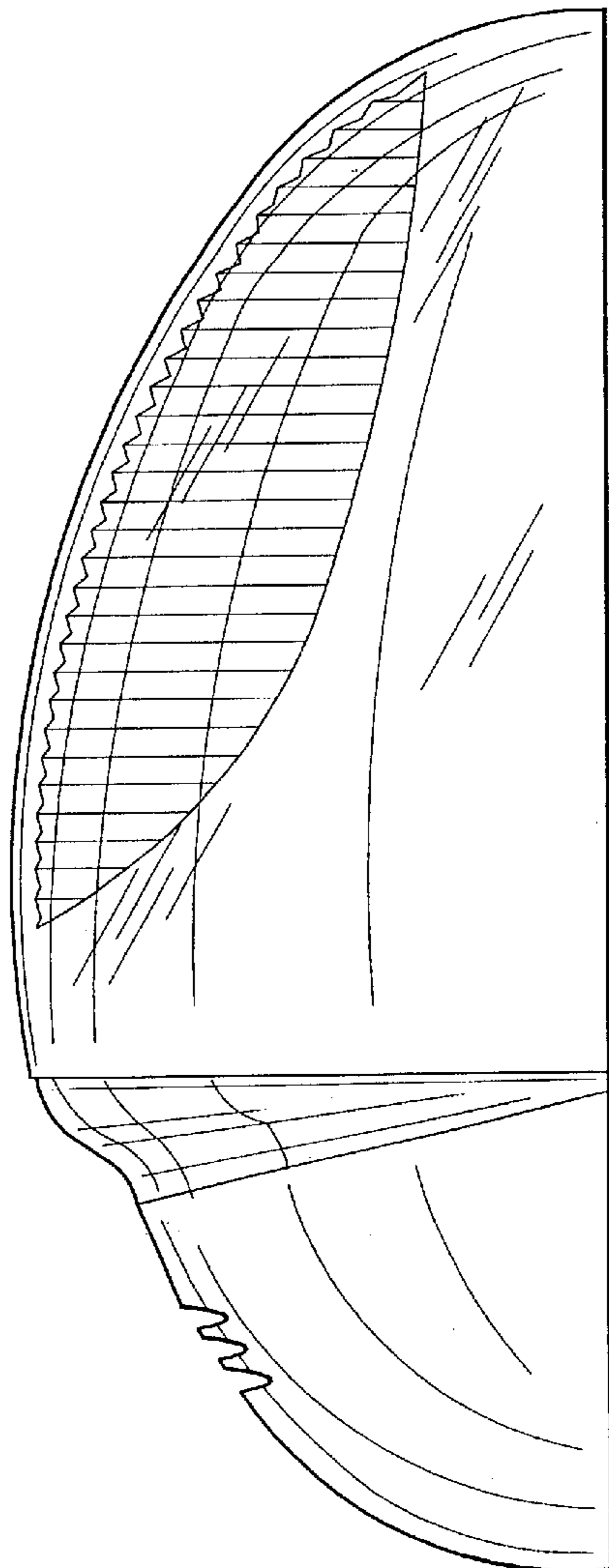


FIG. 3

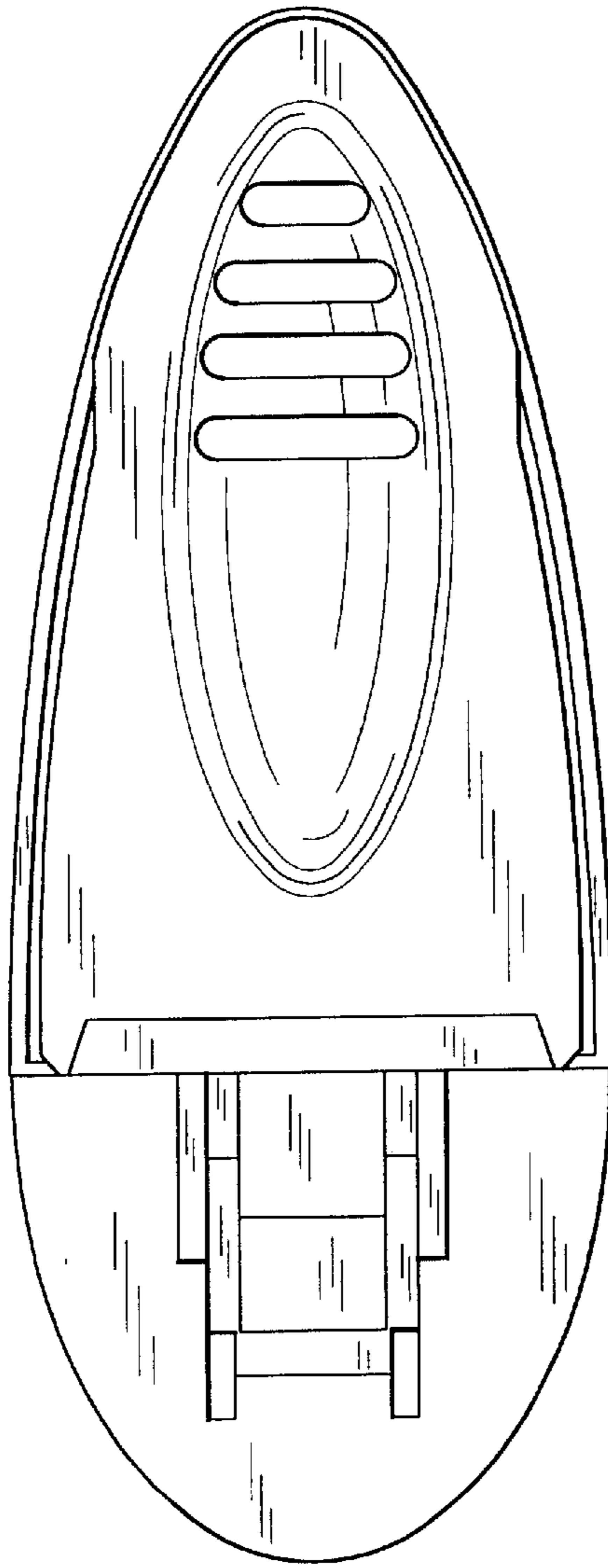


FIG. 5

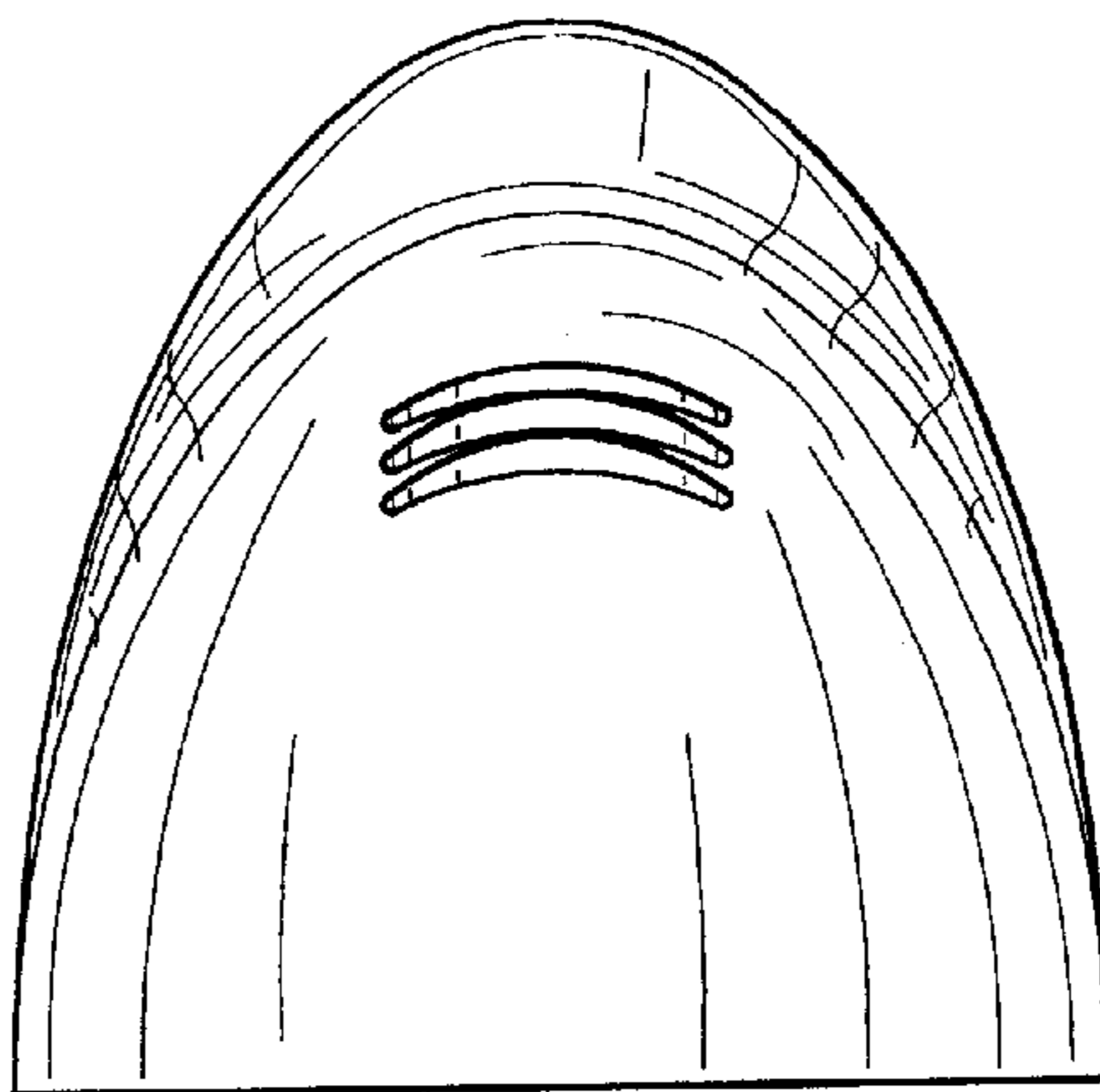


FIG. 6