



US00D452332B1

(12) **United States Design Patent**
Blomquist et al.

(10) **Patent No.: US D452,332 S**

(45) **Date of Patent: ** Dec. 18, 2001**

(54) **MODULAR RETAINING WALL BLOCK**

OTHER PUBLICATIONS

(75) Inventors: **Peter J. Blomquist**, Melbourne Beach, FL (US); **Todd P. Strand**, Marine on St. Croix, MN (US)

(73) Assignee: **Kiltie Corporation**, Oakdale, MN (US)

(**) Term: **14 Years**

(21) Appl. No.: **29/141,432**

(22) Filed: **May 4, 2001**

Related U.S. Application Data

(62) Division of application No. 29/112,434, filed on Oct. 15, 1999, now Pat. No. Des. 435,302, and a division of application No. 29/130,433, filed on Oct. 2, 2000, now Pat. No. Des. 447,573.

(51) **LOC (7) Cl. 25-01**

(52) **U.S. Cl. D25/113**

(58) **Field of Search** D25/102, 113-118, D25/164, 199, 150; D21/484-486, 488-492, 499-500; 52/582.1, 588.1, 596, 575, 606, 607; 404/29, 34, 39-42; 405/284-287, 887.1, 16, 272-273

(56) **References Cited**

U.S. PATENT DOCUMENTS

D. 22,609	7/1893	Deslauriers	D25/151
D. 22,610	7/1893	Deslauriers	D25/151
D. 67,647	6/1925	Dunn	D25/118

(List continued on next page.)

FOREIGN PATENT DOCUMENTS

531354	10/1856	(CA)	.	
50020	9/1982	(CA)	.	
1182295	2/1985	(CA)	61/52

(List continued on next page.)

Garden Rockery Retaining Wall System, "The Natural Garden", Pacific Precast Products Ltd., 1998.
 EP Henry, "Hardscaping For All Walks Of Life", Products Catalog, 1998.
 CornerStone Retaining Wall System, Project Profile (date unknown).
 Mutual Materials Co., Roman Stackstone (date unknown).
 Belgard, "Enhance Your Environment With Belgard", Mar. 1998.
 Lafarge, "New Tumbled Garden Wall" (date unknown).
 Best Way Stone, Product Literature (date unknown).
 Best Way Stone, "The Europa Collection: The aged elegance of traditional hand-hewn stone" (date unknown).
 Versa-Lok Retaining Wall Systems, Introducing Versa-Lok Weathered, 1998.
 Versa-Lok Retaining Wall Systems, "Mini: The beautiful, easy-to-install retaining wall system that is a do-it-yourselfer's dream" 1991.
 Versa-Lok Retaining Wall Systems, Product Literature, 1996.

(List continued on next page.)

Primary Examiner—Louis S. Zarfes
Assistant Examiner—Robert A. Delehanty
 (74) *Attorney, Agent, or Firm*—Kinney & Lange, P.A.

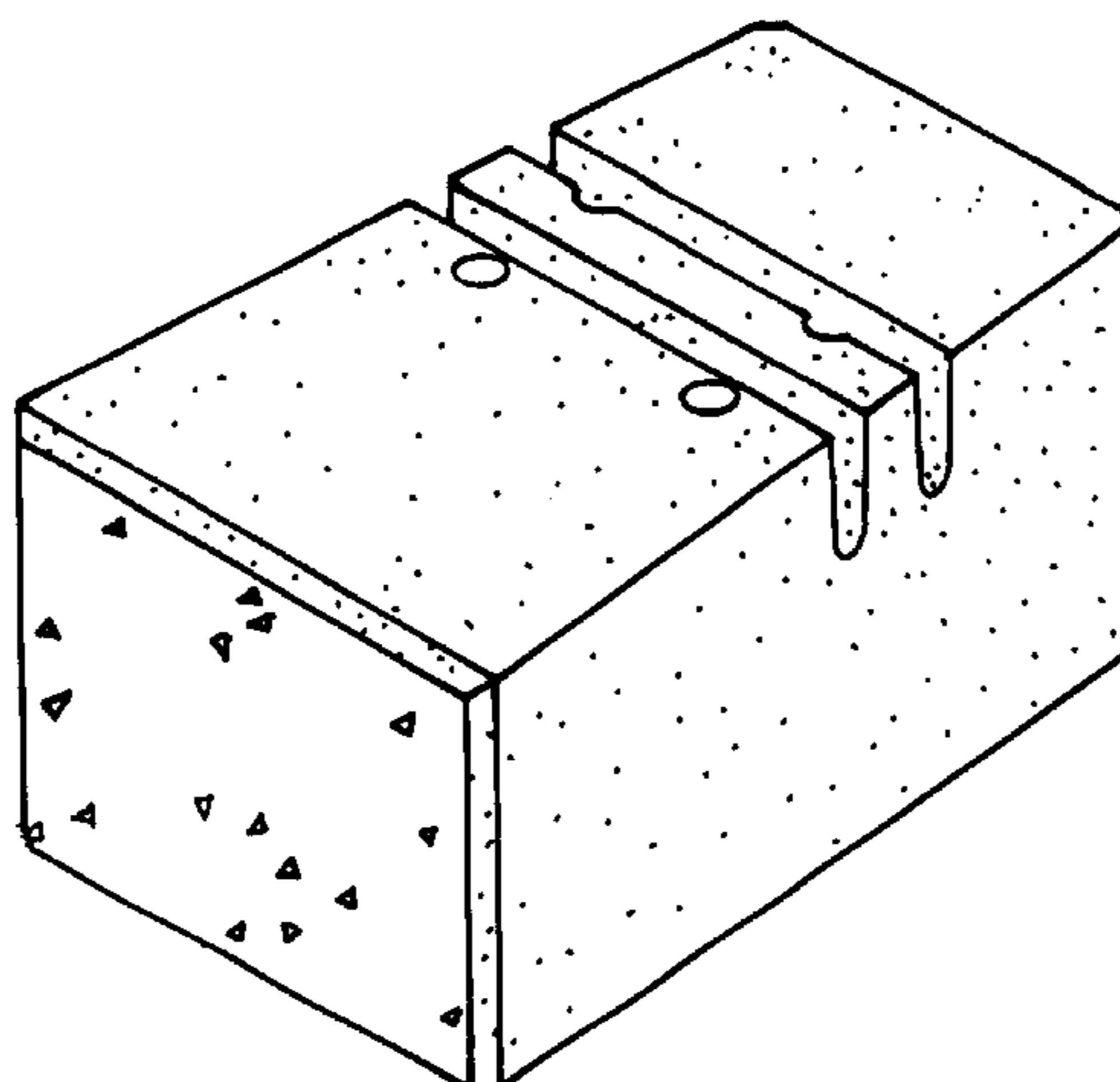
(57) **CLAIM**

The ornamental design for a modular retaining wall block, as shown and described.

DESCRIPTION

FIG. 1 is a perspective view of a modular retaining wall block of our new design;
 FIG. 2 is a top plan view thereof;
 FIG. 3 is a front elevational view thereof;
 FIG. 4 is a side elevational view thereof, as taken from the left in FIGS. 1-3 (the right side is a mirror image of the left side);
 FIG. 5 is a rear elevational view thereof; and,
 FIG. 6 is a bottom plan view thereof.

1 Claim, 2 Drawing Sheets



U.S. PATENT DOCUMENTS

D. 134,608	12/1942	Larson	D25/114
228,052	5/1880	Frost	52/660
D. 279,030	5/1985	Risi et al.	D25/80
D. 280,024	8/1985	Risi et al.	D25/80
D. 295,788	5/1988	Forsberg	D25/113
D. 296,007	5/1988	Forsberg	D25/116
D. 296,365	6/1988	Forsberg	D25/116
D. 297,464	8/1988	Forsberg	D25/114
D. 297,574	9/1988	Forsberg	D25/114
D. 297,767	9/1988	Forsberg	D25/58
D. 299,067	12/1988	Forsberg	D25/58
D. 311,444	10/1990	Forsberg	D25/113
D. 317,048	5/1991	Forsberg	D25/114
D. 319,885	9/1991	Blomquist et al.	D25/118
D. 321,060	10/1991	Blomquist et al.	D25/118
D. 341,215	11/1993	Blomquist et al.	D25/118
D. 346,667	5/1994	Blomquist et al.	D25/113
D. 378,702	4/1997	Blomquist et al.	D25/113
D. 380,560	7/1997	Forsberg	D25/113
D. 391,376	2/1998	Strand et al.	D25/113
468,838	2/1892	Steiger	52/284
2,235,646	3/1941	Schaffer	72/101
2,313,363	3/1943	Schmitt	61/39
2,371,201	3/1945	Wells	72/38
3,036,407	5/1962	Dixon	50/443
3,783,566	1/1974	Nielson	52/232
3,925,994	12/1975	Broms et al.	61/39
3,936,987	2/1976	Calvin	52/309
3,953,979	5/1976	Kurose	61/39
4,083,190	4/1978	Pey	61/4
4,107,894	8/1978	Mullins	52/593
4,110,949	9/1978	Cambiuzzi et al.	52/437
4,175,888	11/1979	Ijima	405/31
4,190,384	2/1980	Neumann	405/284
4,193,718	3/1980	Wahrendorf et al.	405/286
4,207,718	6/1980	Schaaf et al.	52/585
4,228,628	10/1980	Schlomann	52/438
4,262,463	4/1981	Hapel	52/98
4,312,606	1/1982	Sarikelle	405/286
4,337,605	7/1982	Tudek	52/293
4,454,699	6/1984	Strobl	52/585
4,490,075	12/1984	Risi et al.	405/273
4,512,685	4/1985	Hegle	405/284

4,565,043	1/1986	Mazzarese	52/593
4,651,485	3/1987	Osborne	52/284
4,660,342	4/1987	Salisbury	52/358
4,784,821	11/1988	Leopold	264/510
4,802,320	2/1989	Forsberg	52/585
4,815,897	3/1989	Risi et al.	405/284
4,825,619	5/1989	Forsberg	52/562
4,884,921	12/1989	Smith	405/286
4,964,761	10/1990	Rossi	405/286
5,017,049	5/1991	Sievert	405/284
5,044,834	9/1991	Janopaul, Jr.	405/284
5,161,918	11/1992	Hodel	405/286
5,294,216	3/1994	Sievert	405/286

FOREIGN PATENT DOCUMENTS

62875	4/1989	(CA)	.
63365	5/1989	(CA)	.
63366	5/1989	(CA)	.
67904	1/1991	(CA)	.
205452	9/1939	(CH)	.
663437	12/1987	(CH)	.
G9015.196.8	4/1991	(DE)	.
2343871	5/1976	(FR)	.
2476179	2/1980	(FR)	.
2127872	4/1984	(GB)	.
92167	7/1948	(NZ) 81/12
215196	12/1989	(NZ)	.
24781	5/1993	(NZ) 25/1 B
25131	6/1994	(NZ) 25/1 B
25132	6/1994	(NZ) 25/1 B
25133	6/1994	(NZ) 25/1 B

OTHER PUBLICATIONS

- Versa-Lok Retaining Wall Systems, Design & Installation Guidelines, 1995.
- Diamond Wall System, Diamond Wall System Installation Guide, 1989.
- Diamond Wall System, Installation Guide (date unknown).
- Anchor Block/Oscar Roberts, Diamond Wall System: Tech Spec, Sep. 1988.
- Keystone Retaining Wall Systems, International Compact Unit, 1992.
- Besser Company, Modular Concrete Block, 1984.

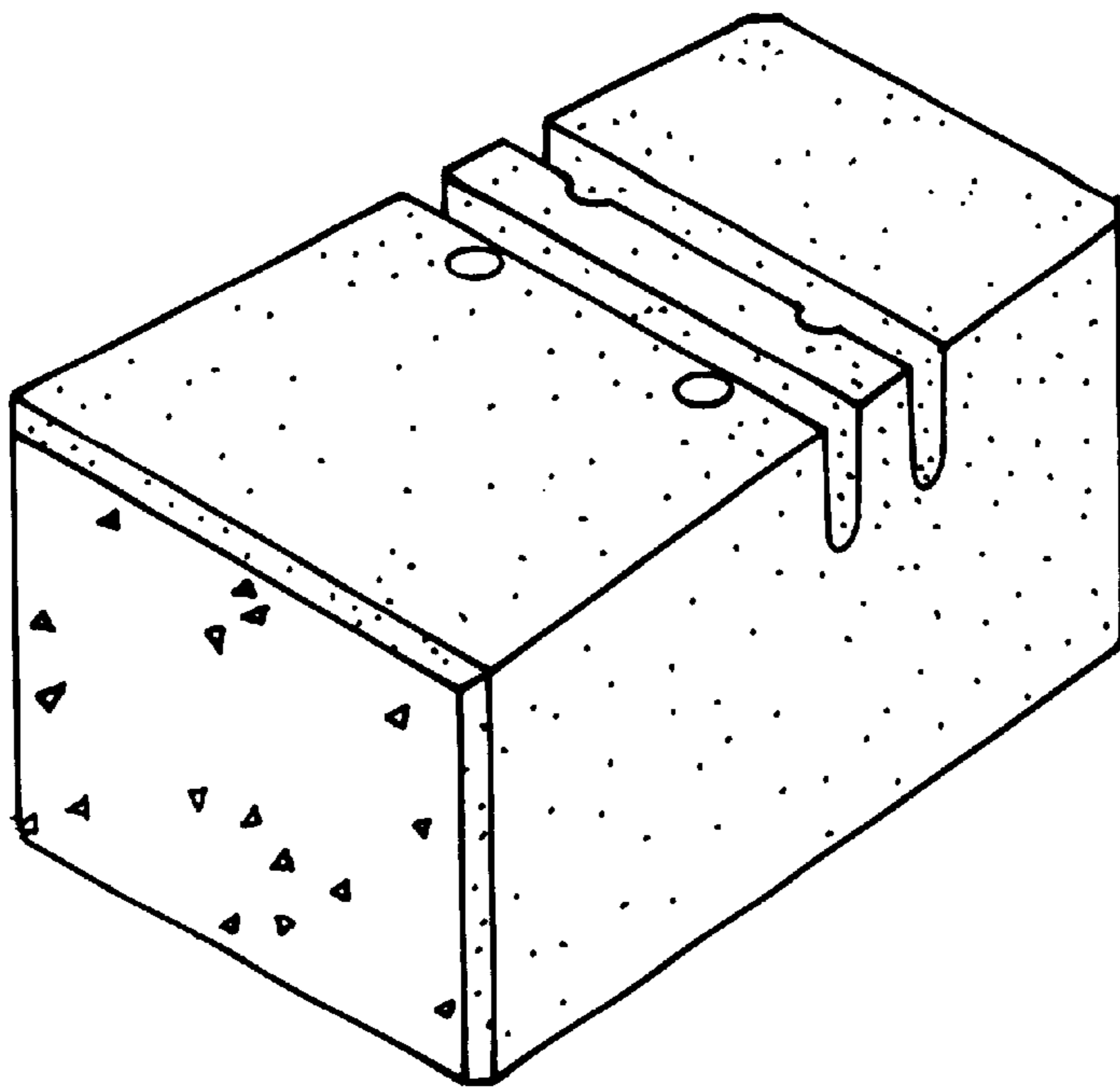


Fig. 1

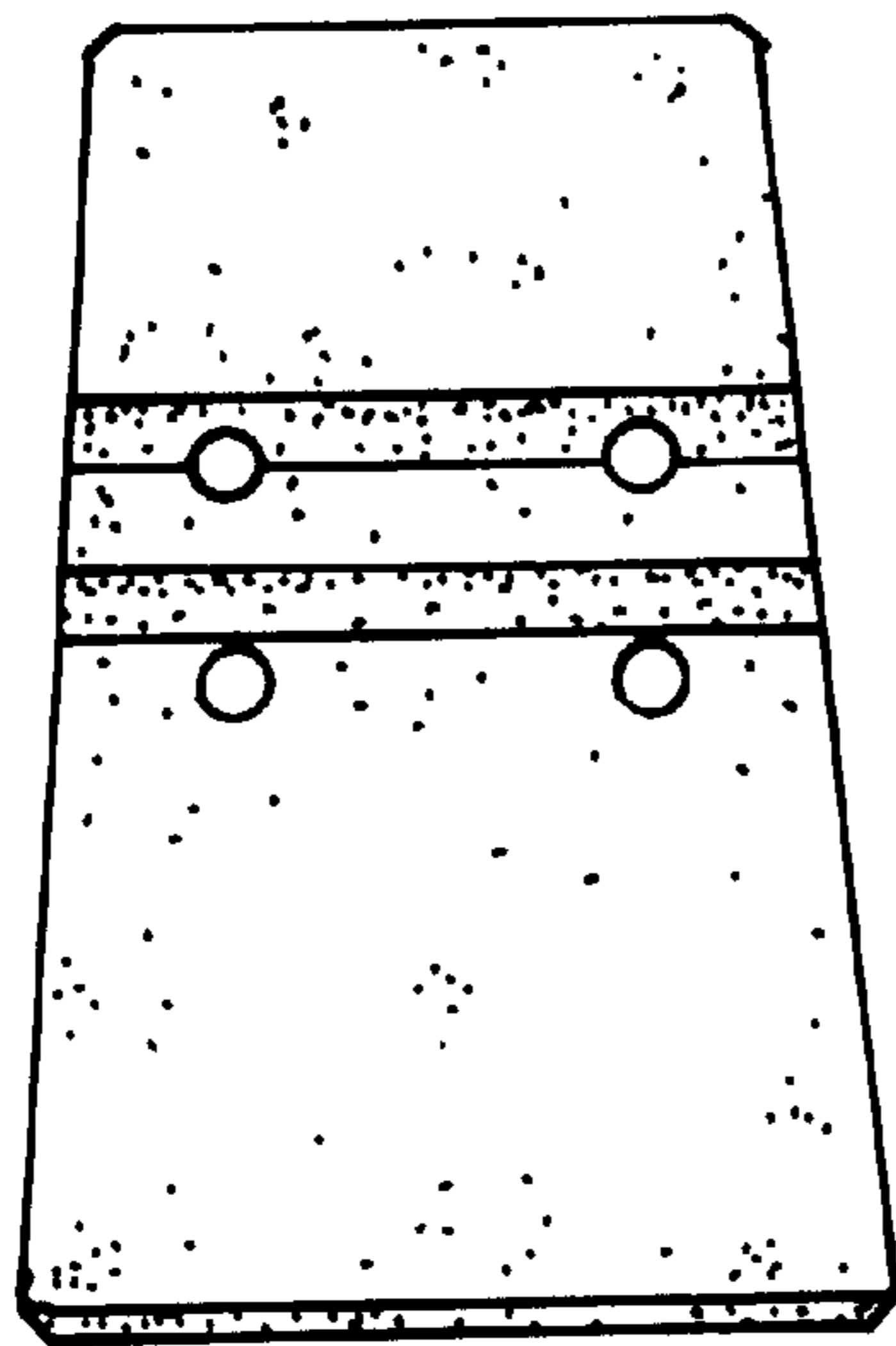


Fig. 2

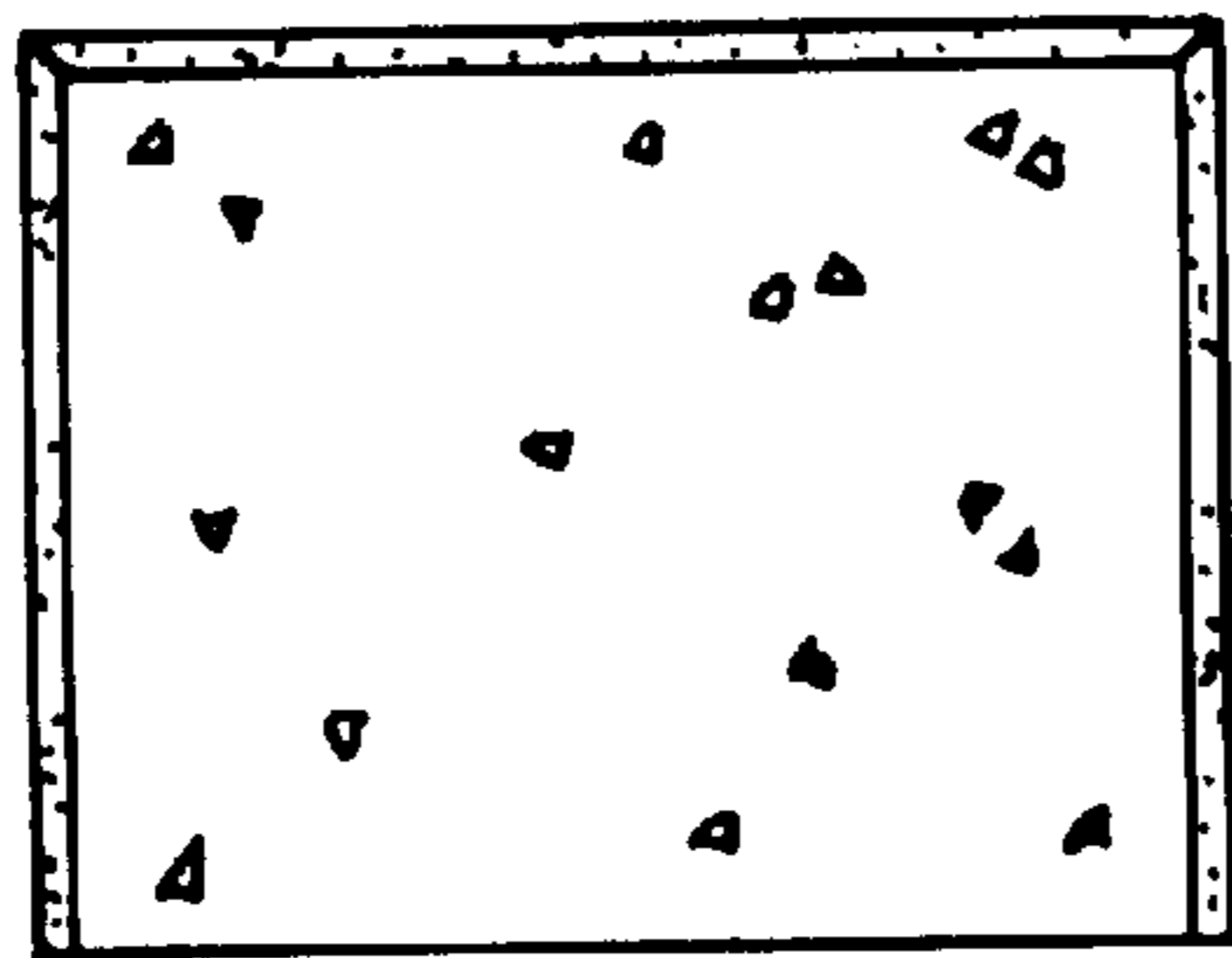


Fig. 3

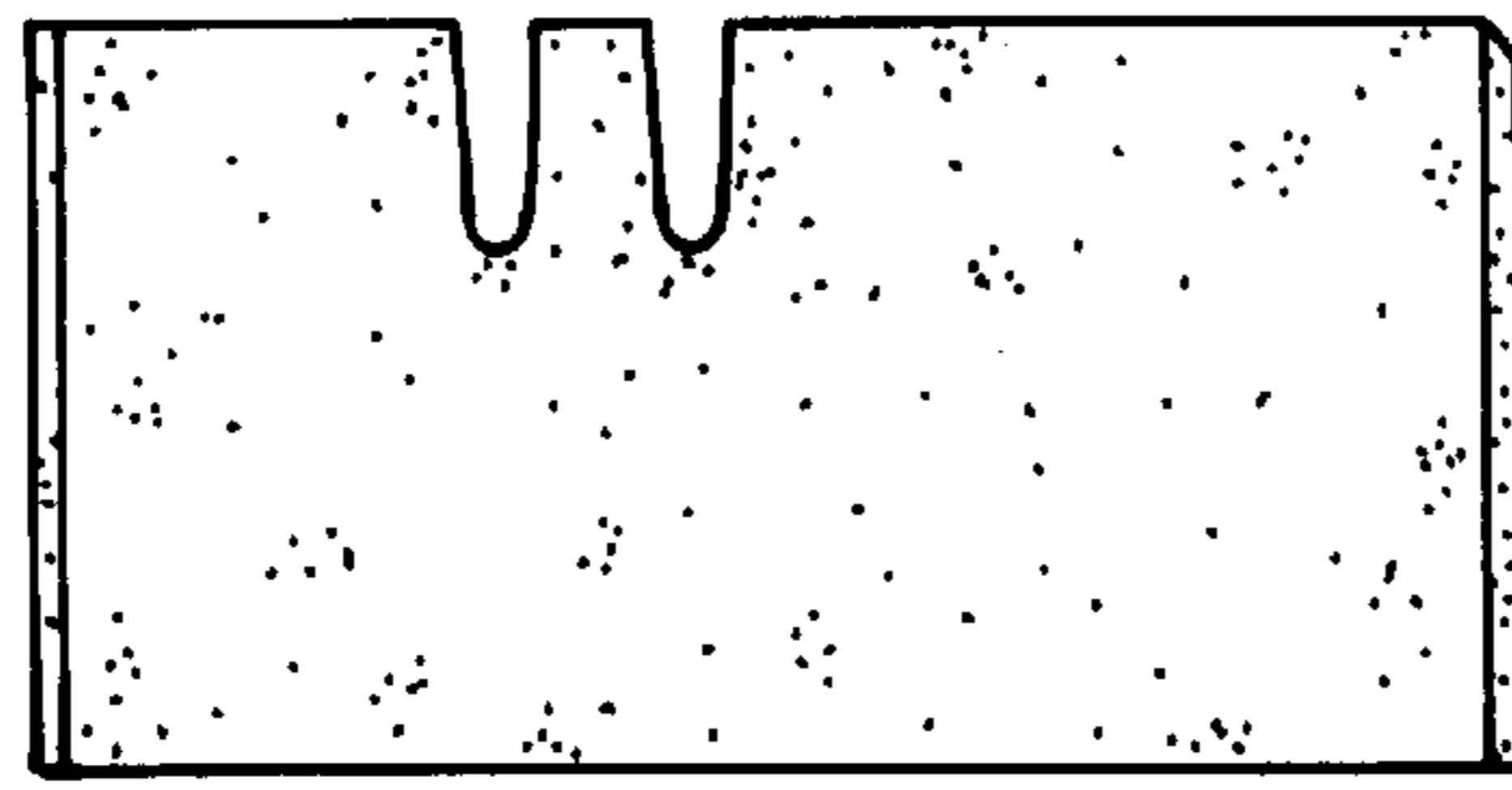


Fig. 4

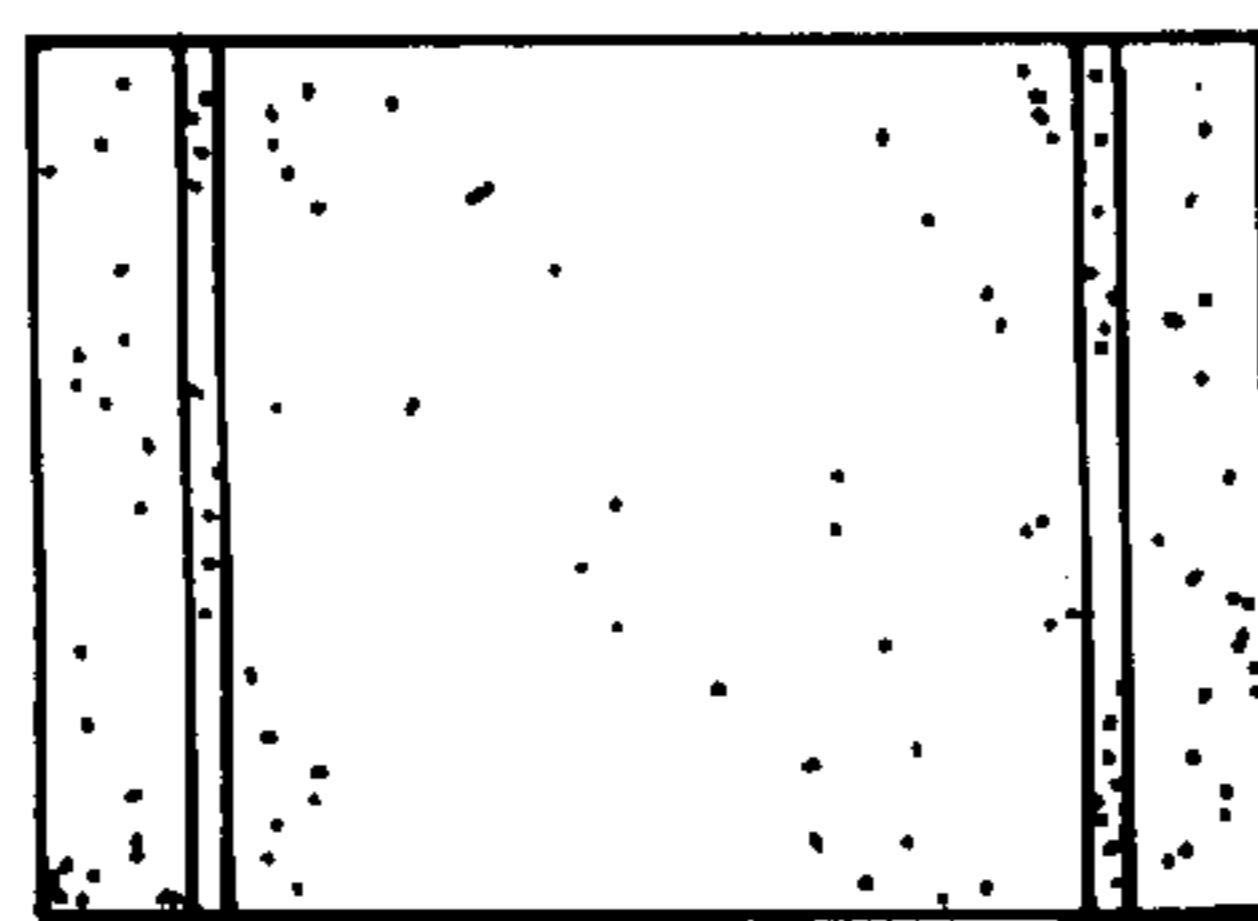


Fig. 5

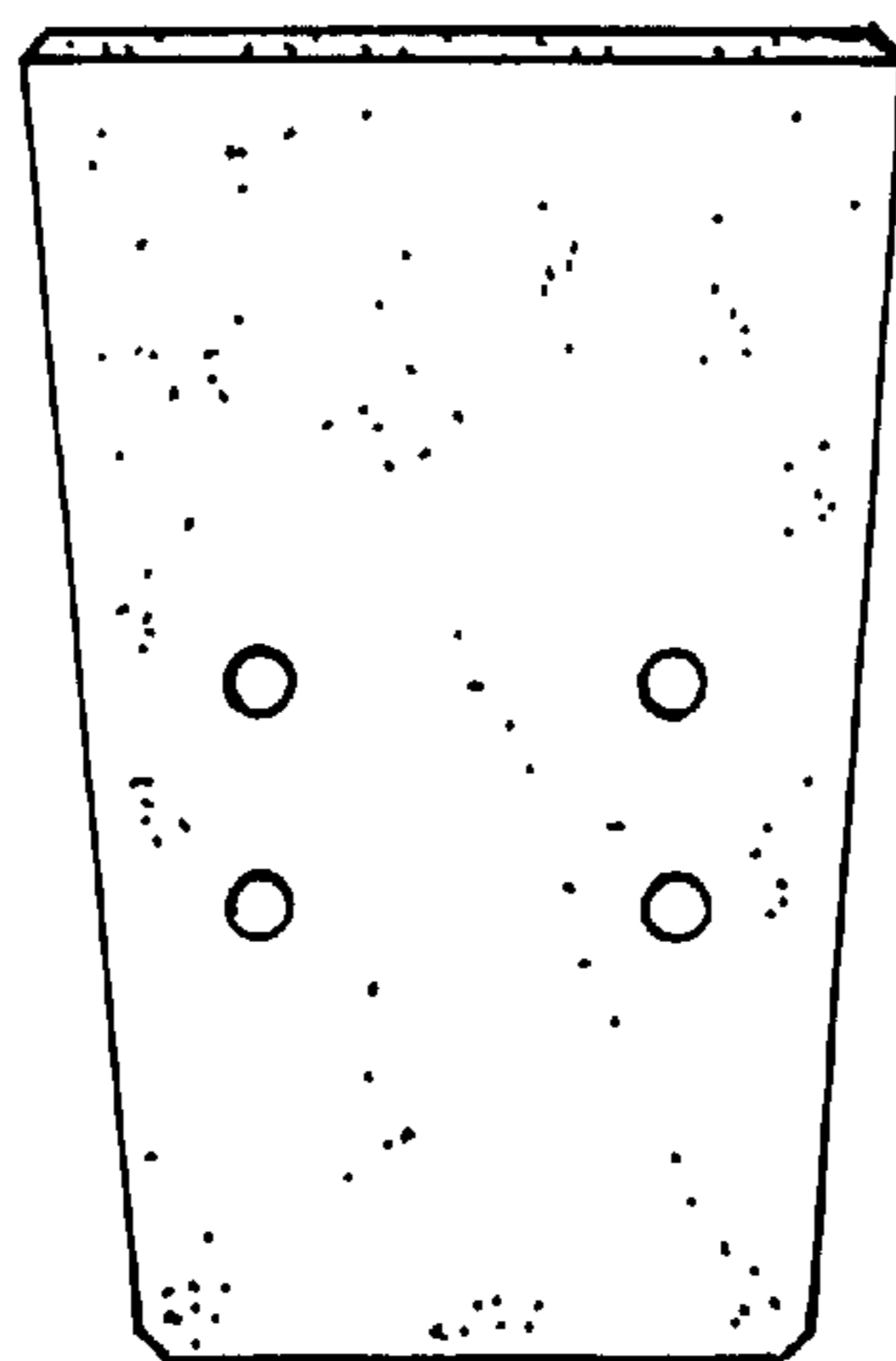


Fig. 6