



US00D452328B1

(12) **United States Design Patent**  
**O'Brien**

(10) **Patent No.:** **US D452,328 S**

(45) **Date of Patent:** **\*\* Dec. 18, 2001**

(54) **SERVICE STATION CANOPY RIM**

(75) Inventor: **Michael J. O'Brien**, Naperville, IL (US)

(73) Assignee: **BP p.l.c.**, London (GB)

(\*\*) Term: **14 Years**

(21) Appl. No.: **29/126,696**

(22) Filed: **Jul. 21, 2000**

(51) **LOC (7) Cl.** ..... **25-02**

(52) **U.S. Cl.** ..... **D25/56; D25/60**

(58) **Field of Search** ..... D25/56, 60; 135/87, 135/88.01, 90, 121, 908, 115; 52/90.1, 91.1, 23

(56) **References Cited**

**U.S. PATENT DOCUMENTS**

- D. 302,820 \* 8/1989 Bass ..... D25/56
- D. 402,771 \* 12/1998 Broudy ..... D25/56
- D. 403,083 \* 12/1998 Poelvoorde et al. .... D25/56
- 3,143,827 \* 8/1964 Showalter, Sr. .... D25/56

**OTHER PUBLICATIONS**

Existing Amoco Station, Landor, Nov. 18, 1999.  
BP Oil Europe Mobile Network Reimaging Level of Treatment, M1/1R, Dec. 1996.

BP Oil Europe Mobile Network Reimaging Level of Treatment, M5, Dec. 1996.

BP Oil Retail Visual Standards, Level 1, revised 1998.

BP Oil Retail Visual Standards, Level 2, revised 1998.

BP Oil Retail Visual Standards, Level 4, revised 1998.

\* cited by examiner

*Primary Examiner*—Doris Clark

(74) *Attorney, Agent, or Firm*—Ekkehard Schoettle; Thomas W. Tolpin

(57) **CLAIM**

The ornamental design for a service station canopy rim, as shown and described.

**DESCRIPTION**

FIG. 1 is a perspective view of a service station canopy rim in accordance with the present design;

FIG. 2 is a side elevational view of the service station canopy rim of FIG. 1;

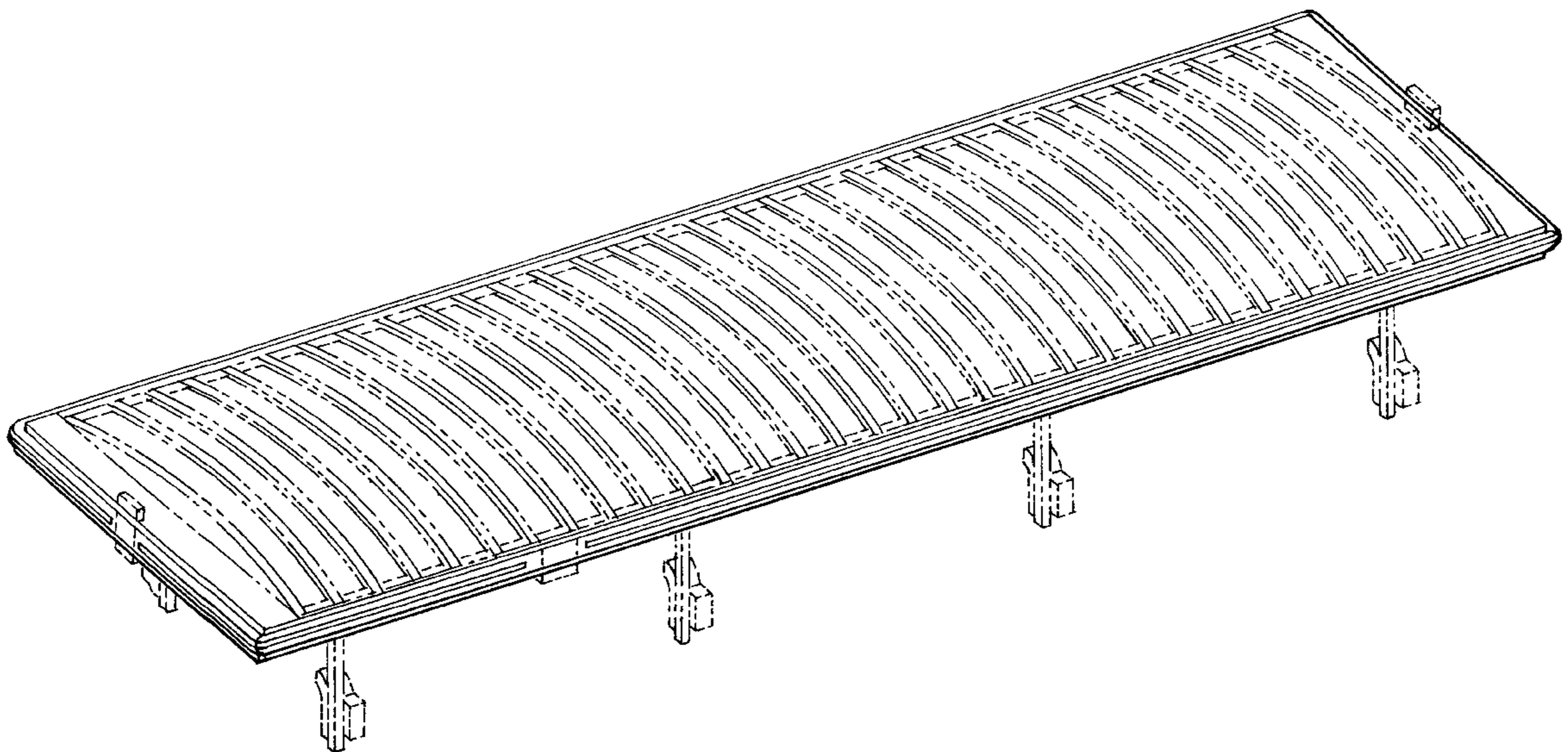
FIG. 3 is a front elevational view of the service station canopy rim of FIG. 1;

FIG. 4 is a top plan view of the service station canopy rim of FIG. 1; and,

FIG. 5 is a bottom plan view of the service station canopy rim of FIG. 1.

All broken lines illustrated in the drawings designate environmental structure.

**1 Claim, 3 Drawing Sheets**



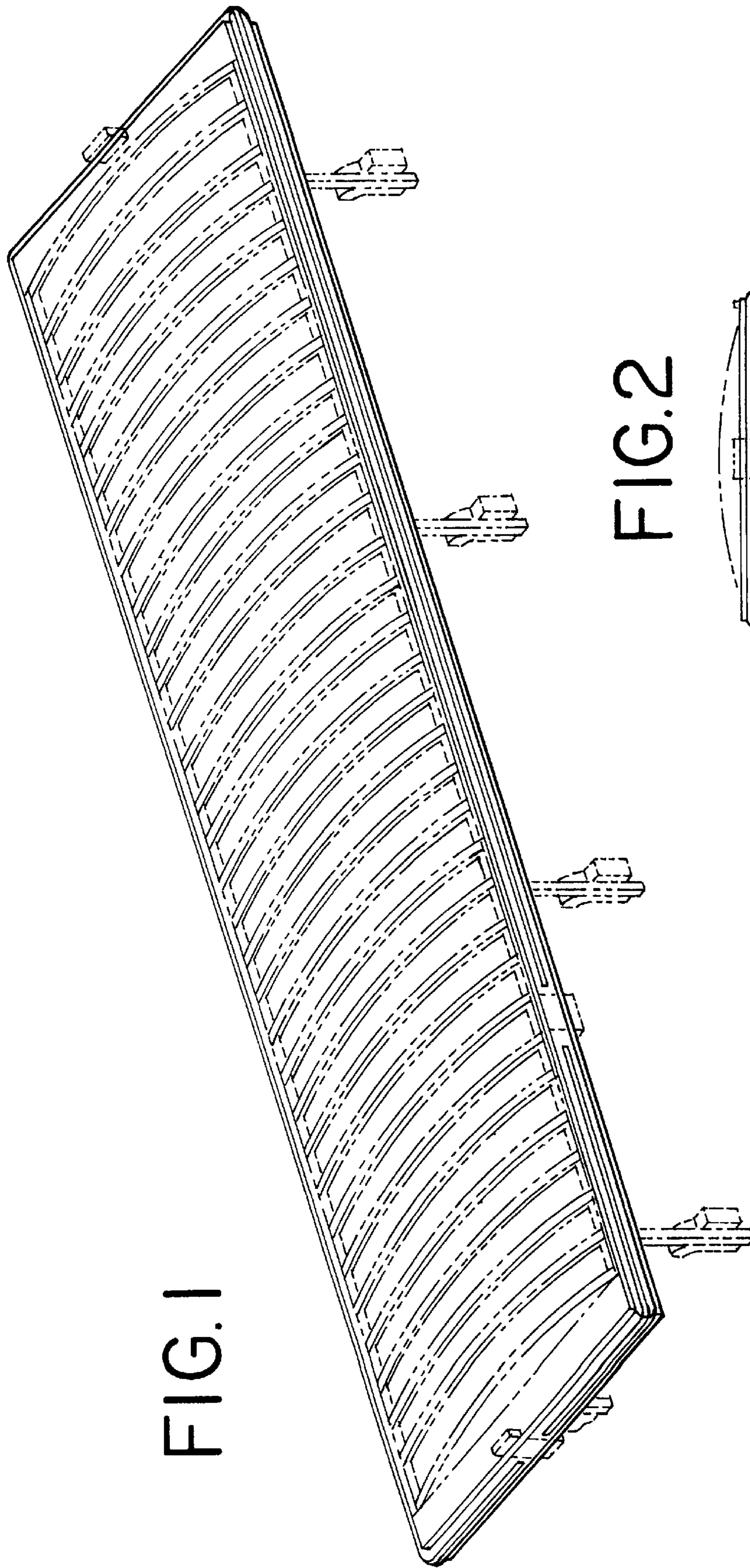


FIG. 1

FIG. 2

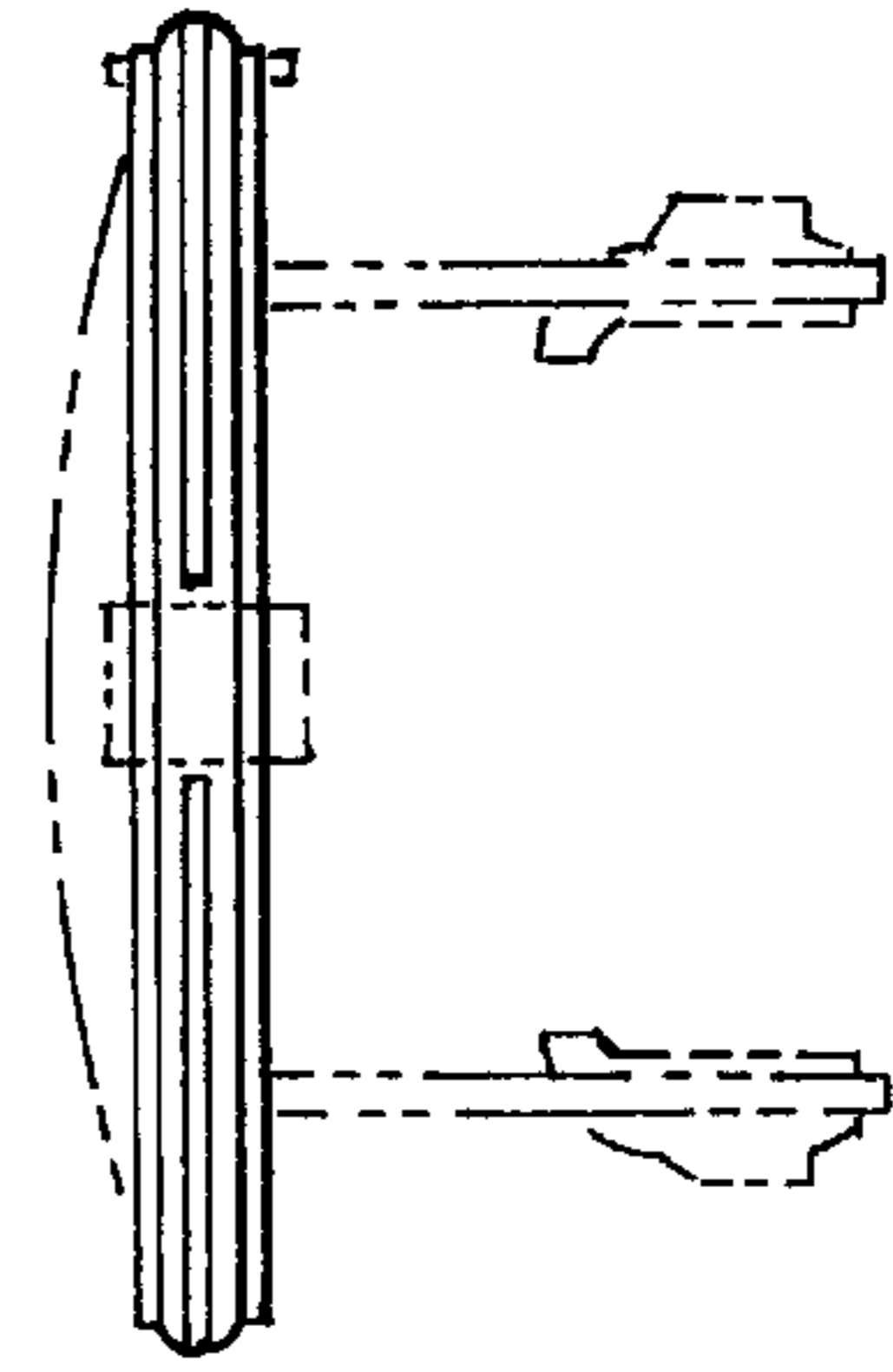


FIG.3

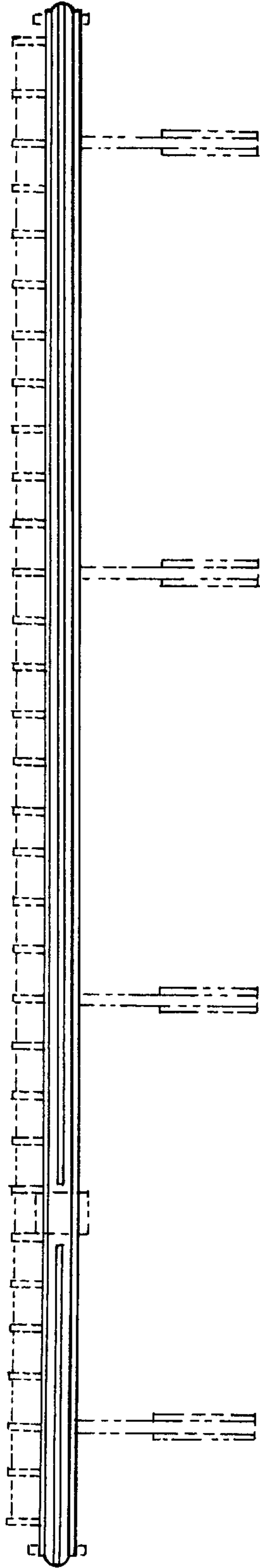


FIG.4

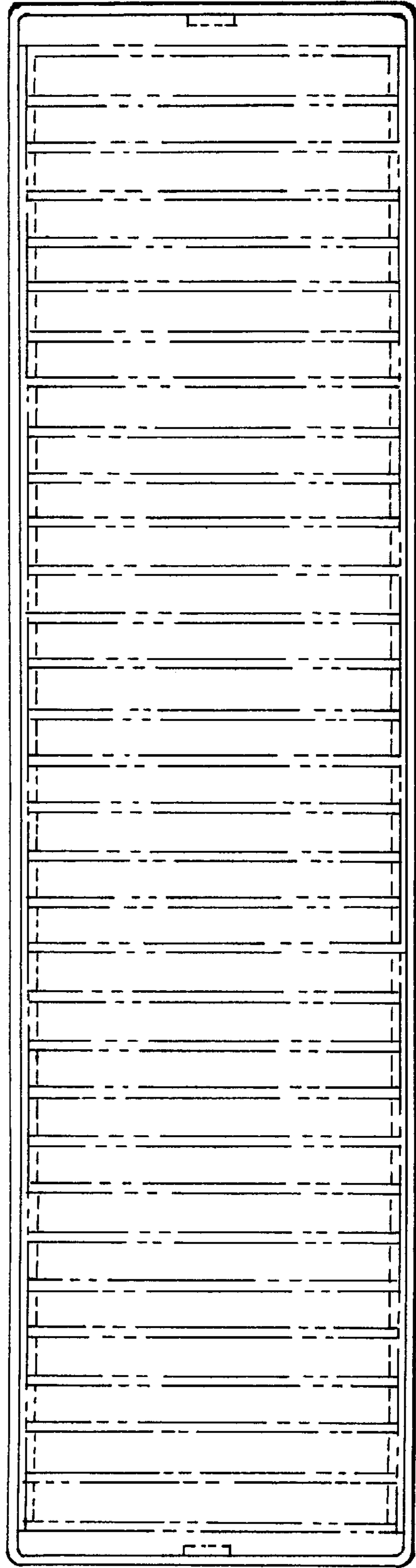


FIG. 5

