



US00D452327B1

(12) **United States Design Patent**  
**Chen**

(10) **Patent No.:** **US D452,327 S**

(45) **Date of Patent:** **\*\* \*Dec. 18, 2001**

(54) **MESSAGE DEVICE FOR FEET**

(76) **Inventor:** **Sherry Chen**, P.O. Box 63-99,  
Taichung (TW), 406

(\* ) **Notice:** This patent is subject to a terminal disclaimer.

(\*\* ) **Term:** **14 Years**

(21) **Appl. No.:** **29/135,945**

(22) **Filed:** **Jan. 18, 2001**

(51) **LOC (7) Cl.** ..... **28-03**

(52) **U.S. Cl.** ..... **D24/213**

(58) **Field of Search** ..... D24/212, 213,  
D24/200; 601/27, 28, 29, 30, 66, 65, 61

(56) **References Cited**

**U.S. PATENT DOCUMENTS**

- D. 186,255 \* 9/1959 Mosley ..... D24/213
- D. 199,220 \* 9/1964 McNair ..... D24/212

- D. 388,879 \* 1/1998 Chang ..... D24/212
- 2,271,382 \* 1/1942 Worthington ..... 601/61
- 2,935,064 \* 5/1960 Moxley ..... 601/65
- 3,205,888 \* 9/1965 Stroop ..... 601/122

\* cited by examiner

*Primary Examiner*—Stella Reid

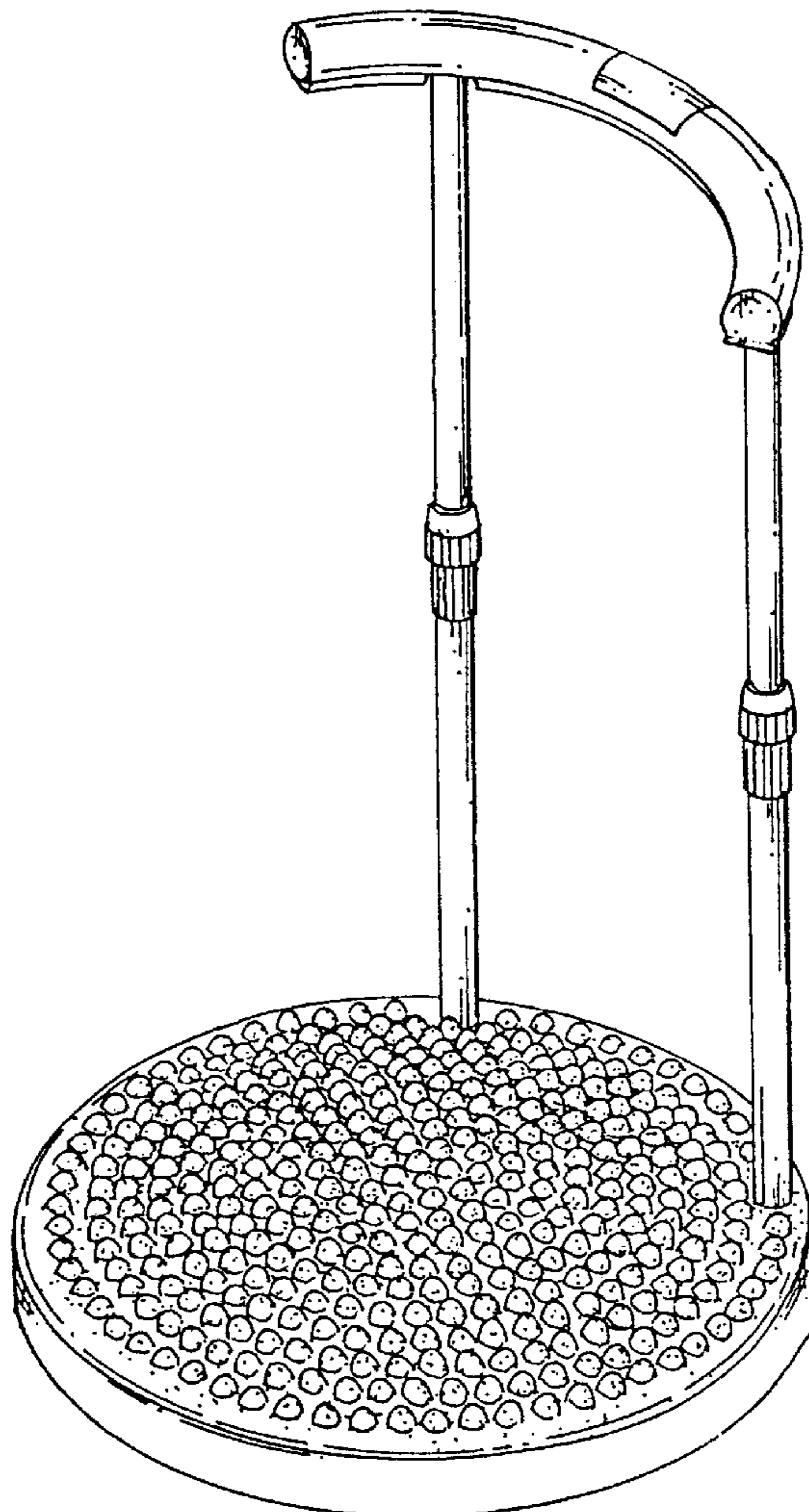
(57) **CLAIM**

The ornamental design for a massage device for feet, as shown and described.

**DESCRIPTION**

FIG. 1 is a perspective view of a massage device for feet showing my new design;  
 FIG. 2 is a front elevational view thereof;  
 FIG. 3 is a rear elevational view thereof;  
 FIG. 4 is a top plan view thereof;  
 FIG. 5 is a bottom plan view thereof;  
 FIG. 6 is a left side elevational view thereof; and,  
 FIG. 7 is a right side elevational view thereof.

**1 Claim, 4 Drawing Sheets**



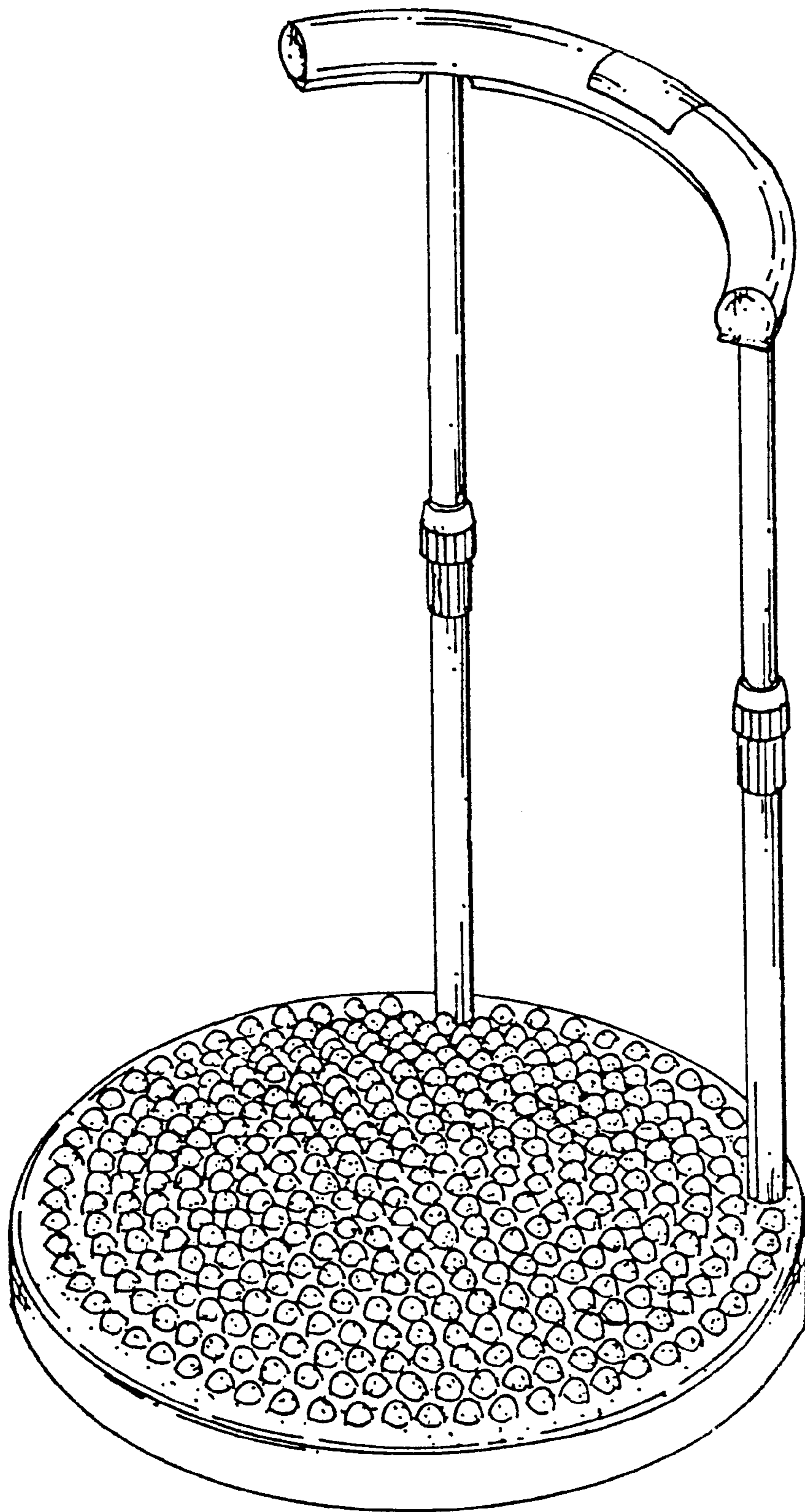


FIG. 1

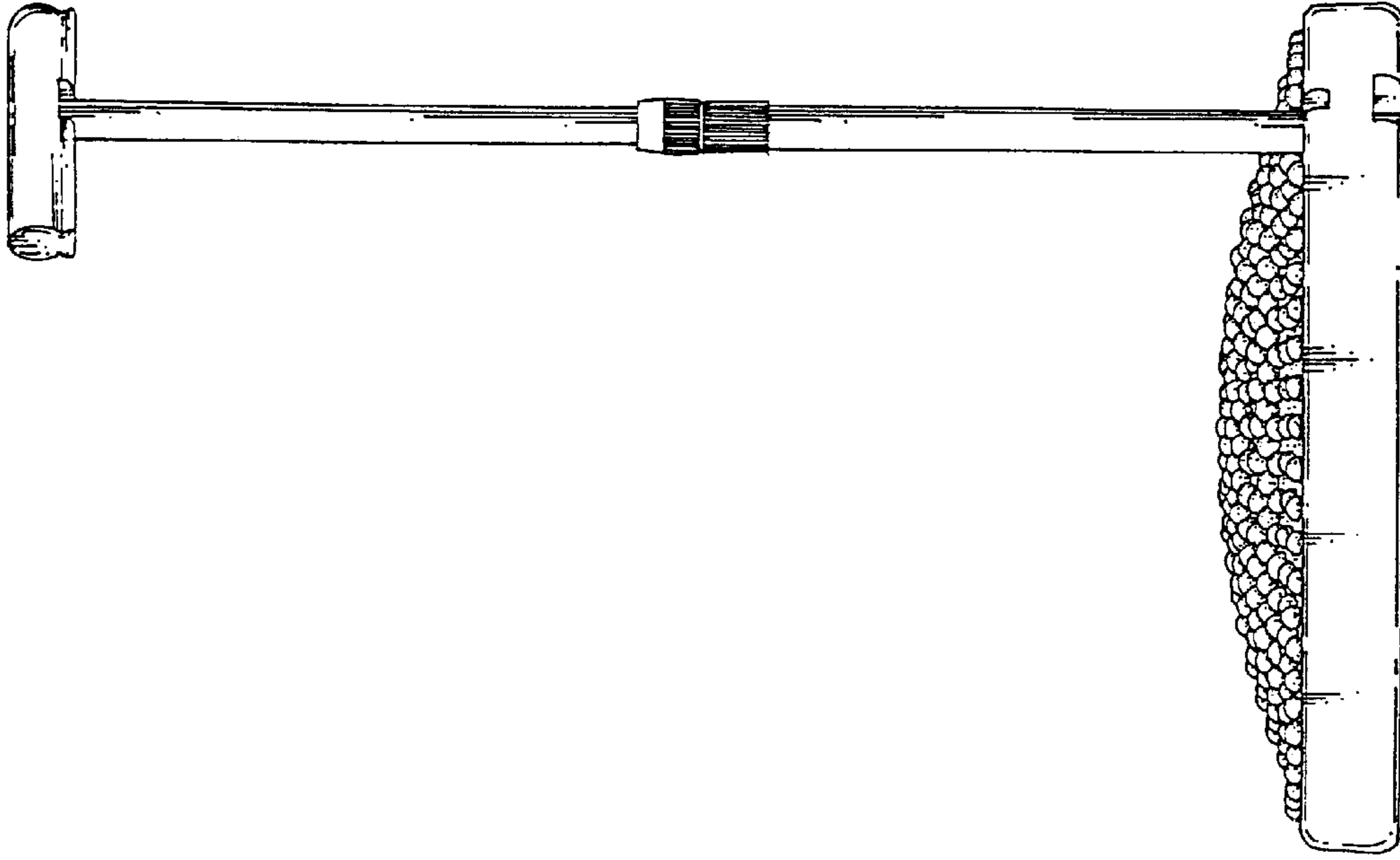


FIG. 7

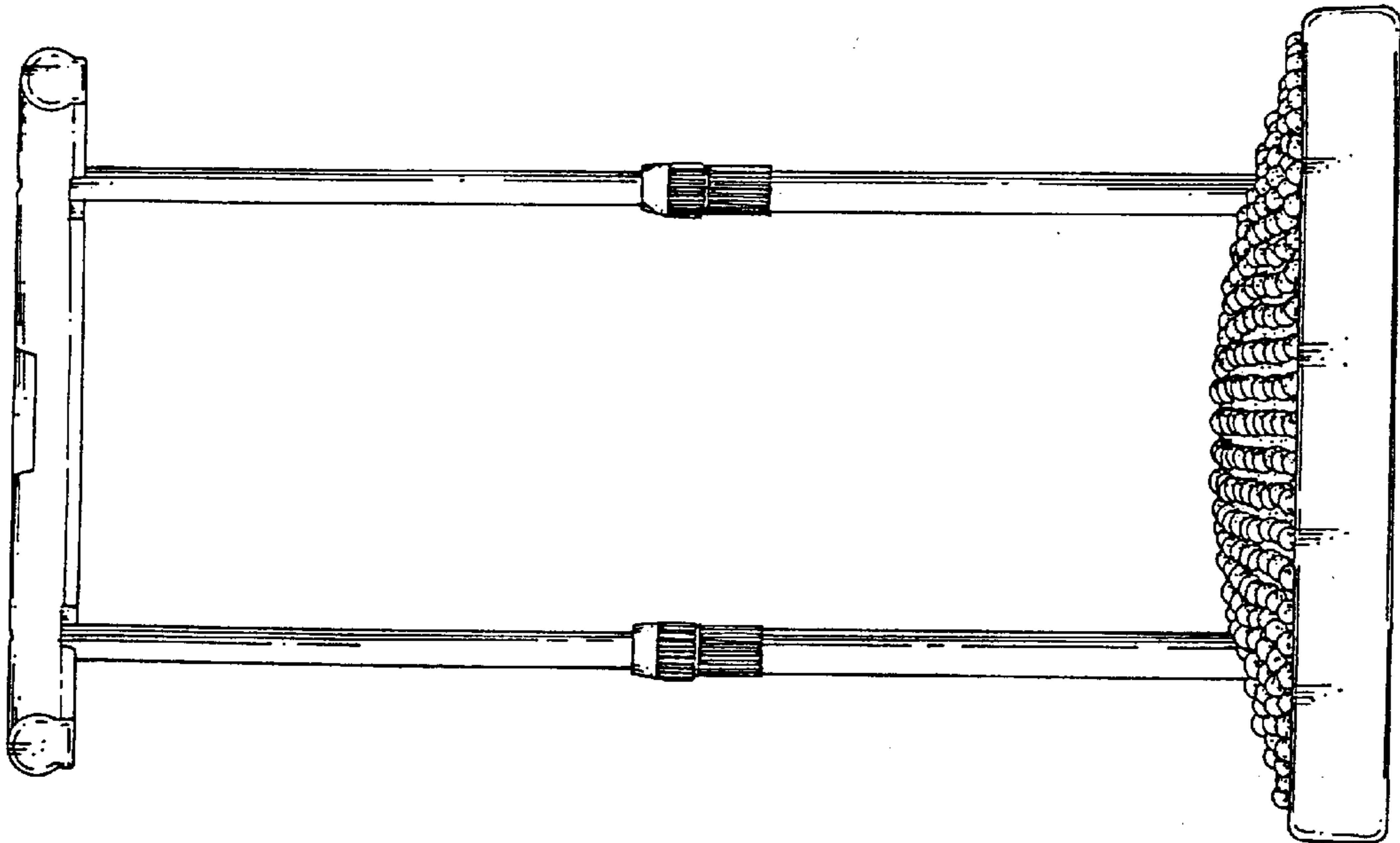


FIG. 2

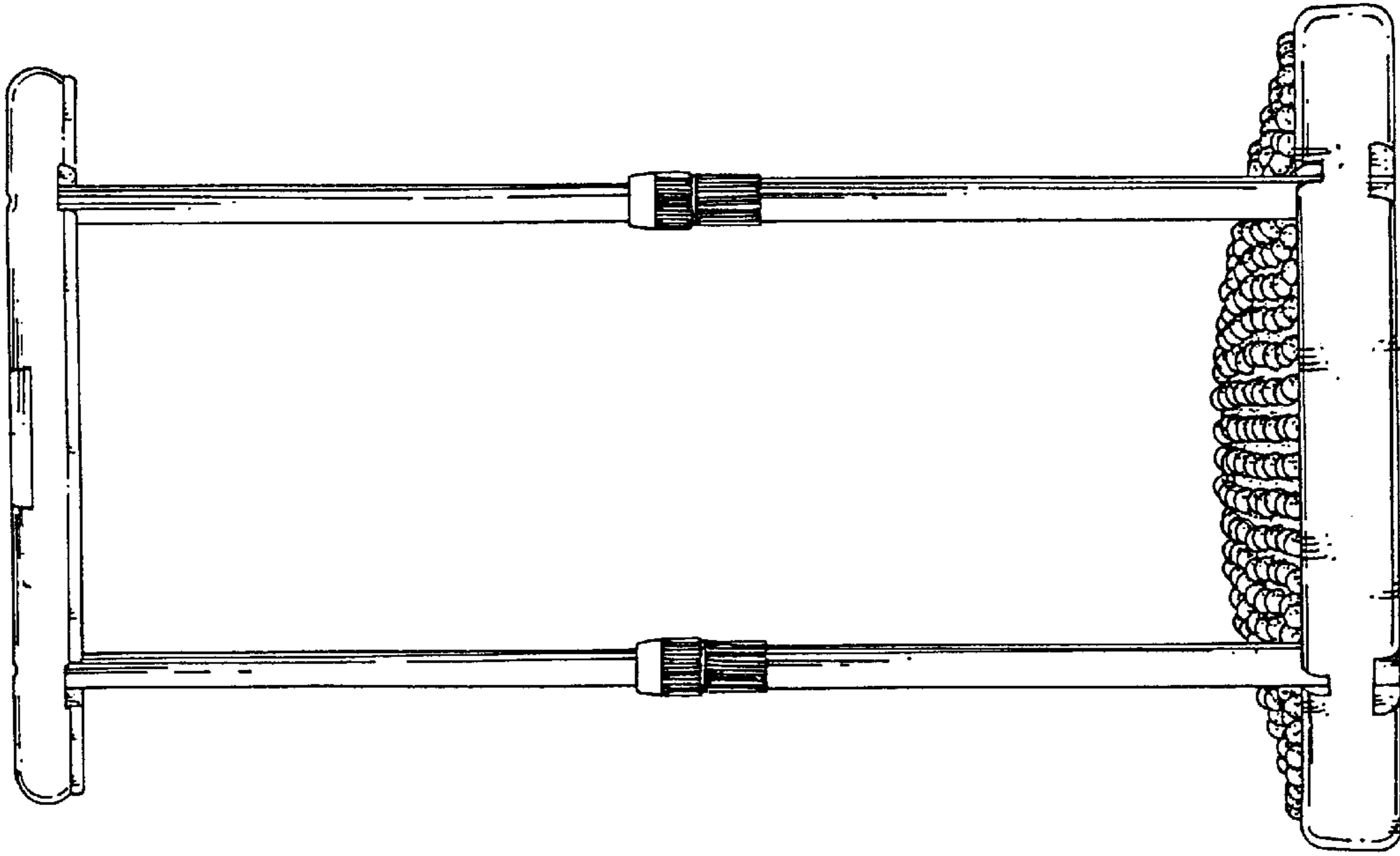


FIG. 3

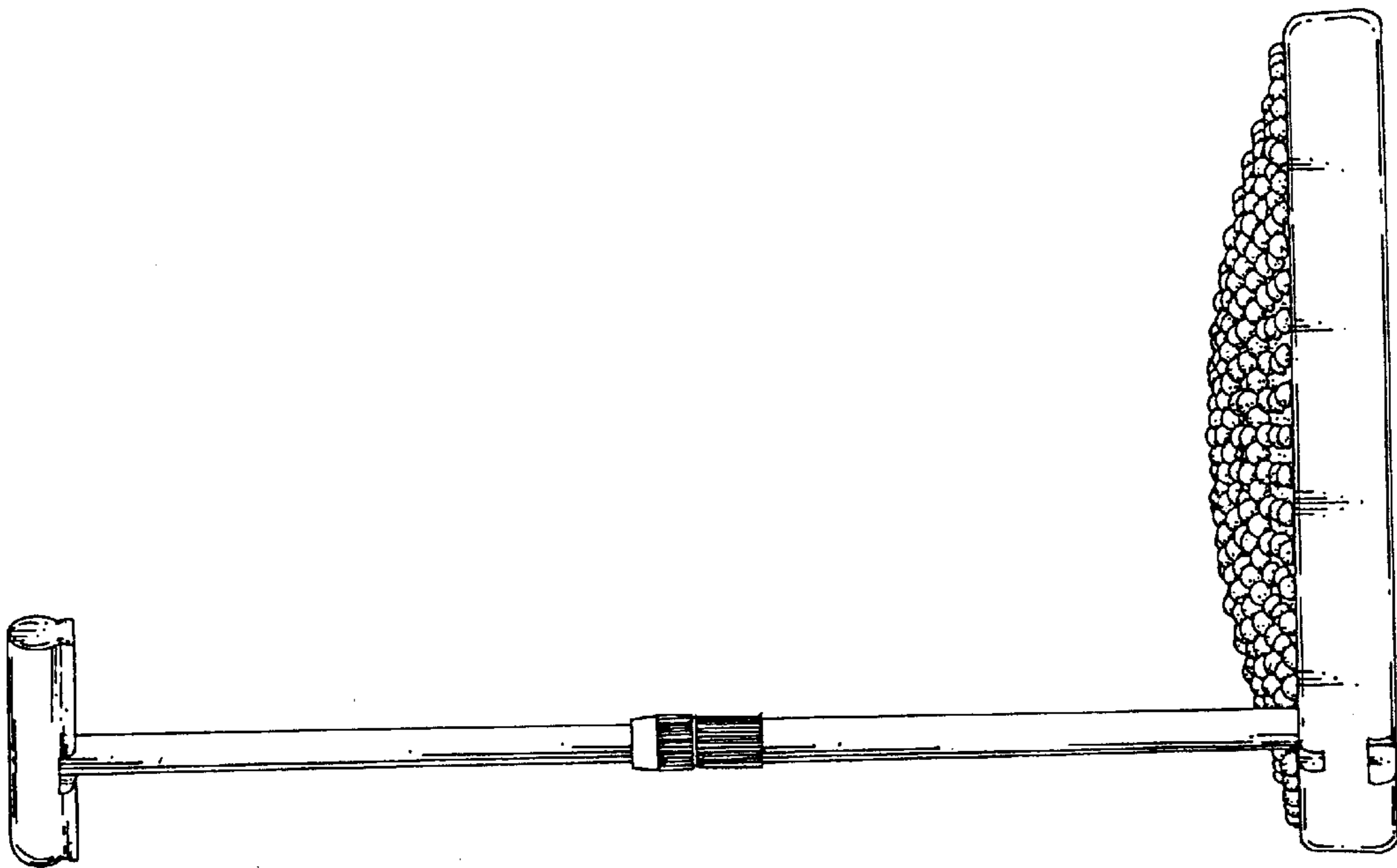


FIG. 6

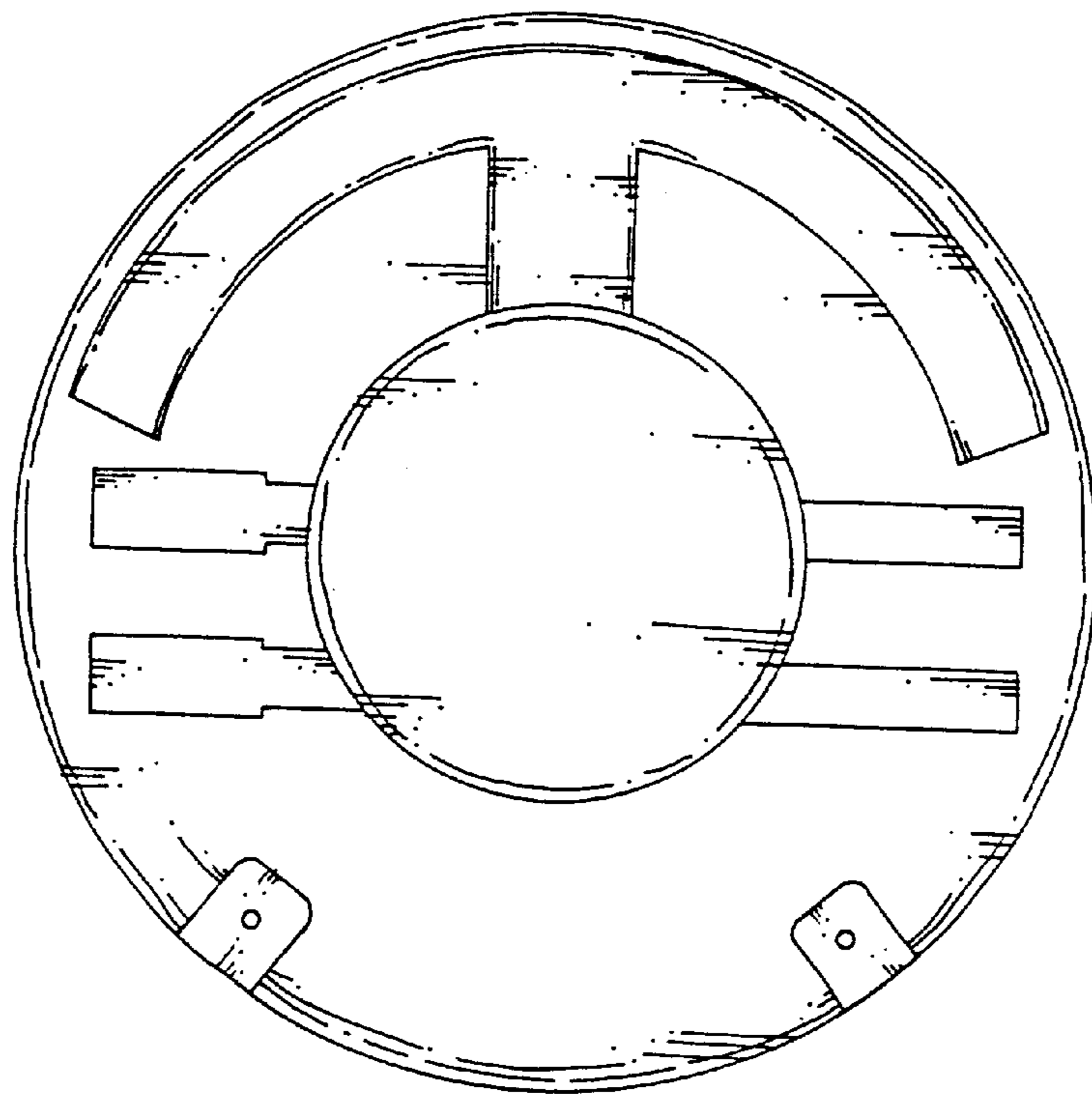


FIG. 5

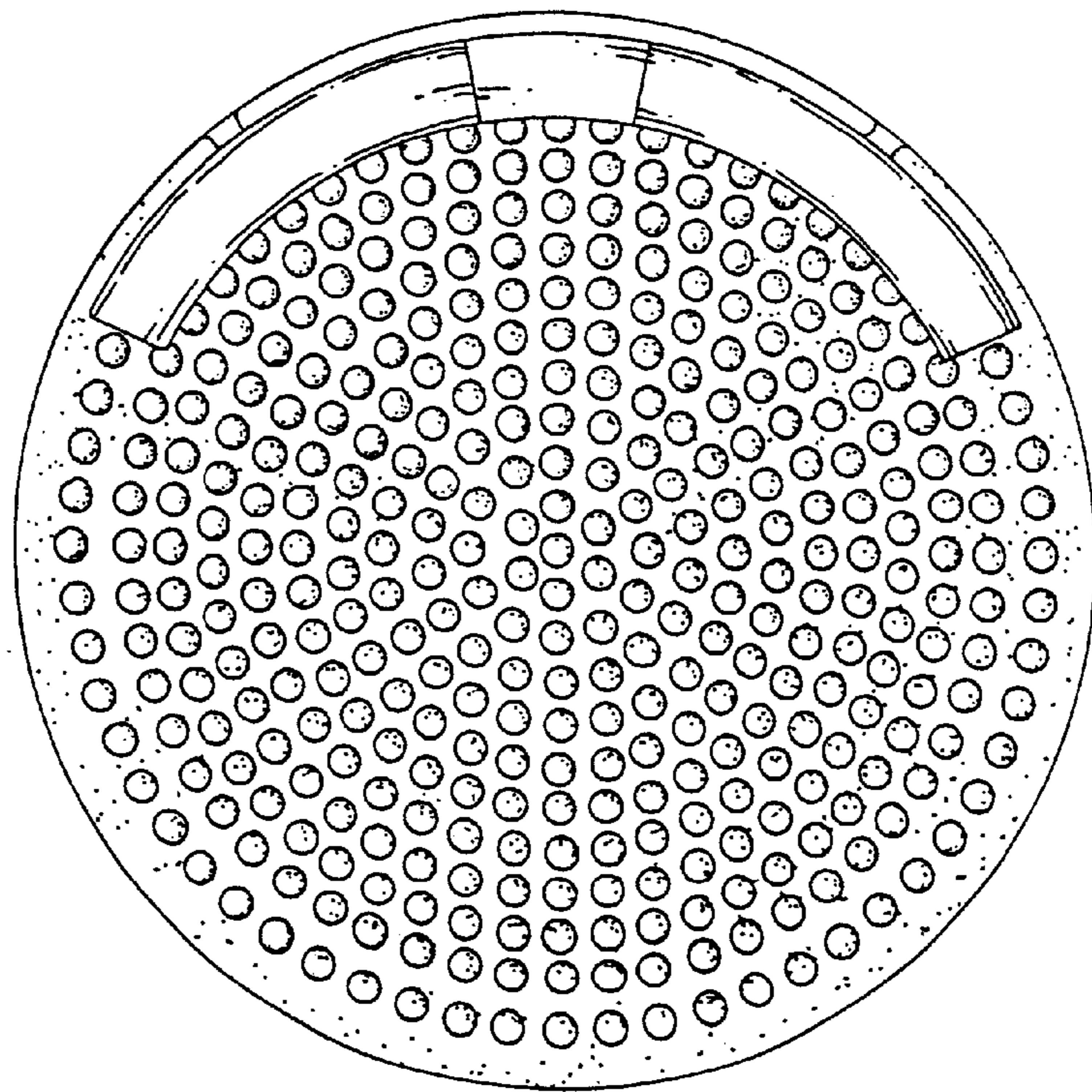


FIG. 4