



US00D452313B1

(12) **United States Design Patent**
Niermann

(10) **Patent No.:** **US D452,313 S**

(45) **Date of Patent:** **** Dec. 18, 2001**

(54) **NEEDLE ASSEMBLY**
(75) Inventor: **Volker Niermann**, Little Falls, NJ (US)
(73) Assignee: **Becton, Dickinson and Company**,
Franklin Lakes, NJ (US)

5,334,155 8/1994 Sobel .
5,735,827 4/1998 Adwers et al. .
5,738,665 4/1998 Caizza et al. .
5,833,670 11/1998 Dillon et al. .
6,050,976 * 4/2000 Thorne et al. 604/164

(**) Term: **14 Years**

FOREIGN PATENT DOCUMENTS

2 301 036 A 11/1996 (GB) .
WO 94/19036 9/1994 (WO) .

(21) Appl. No.: **29/135,219**

* cited by examiner

(22) Filed: **Jan. 8, 2001**

Primary Examiner—Ian Simmons

(51) **LOC (7) Cl.** **24-02**

(74) *Attorney, Agent, or Firm*—Nanette S. Thomas

(52) **U.S. Cl.** **D24/112; D24/130; D24/146**

(58) **Field of Search** D24/112, 130,
D24/146; 604/164.01, 168.01, 198, 192,
263, 177, 110, 171

(57) **CLAIM**

The ornamental design of a needle assembly, as shown and described.

(56) **References Cited**

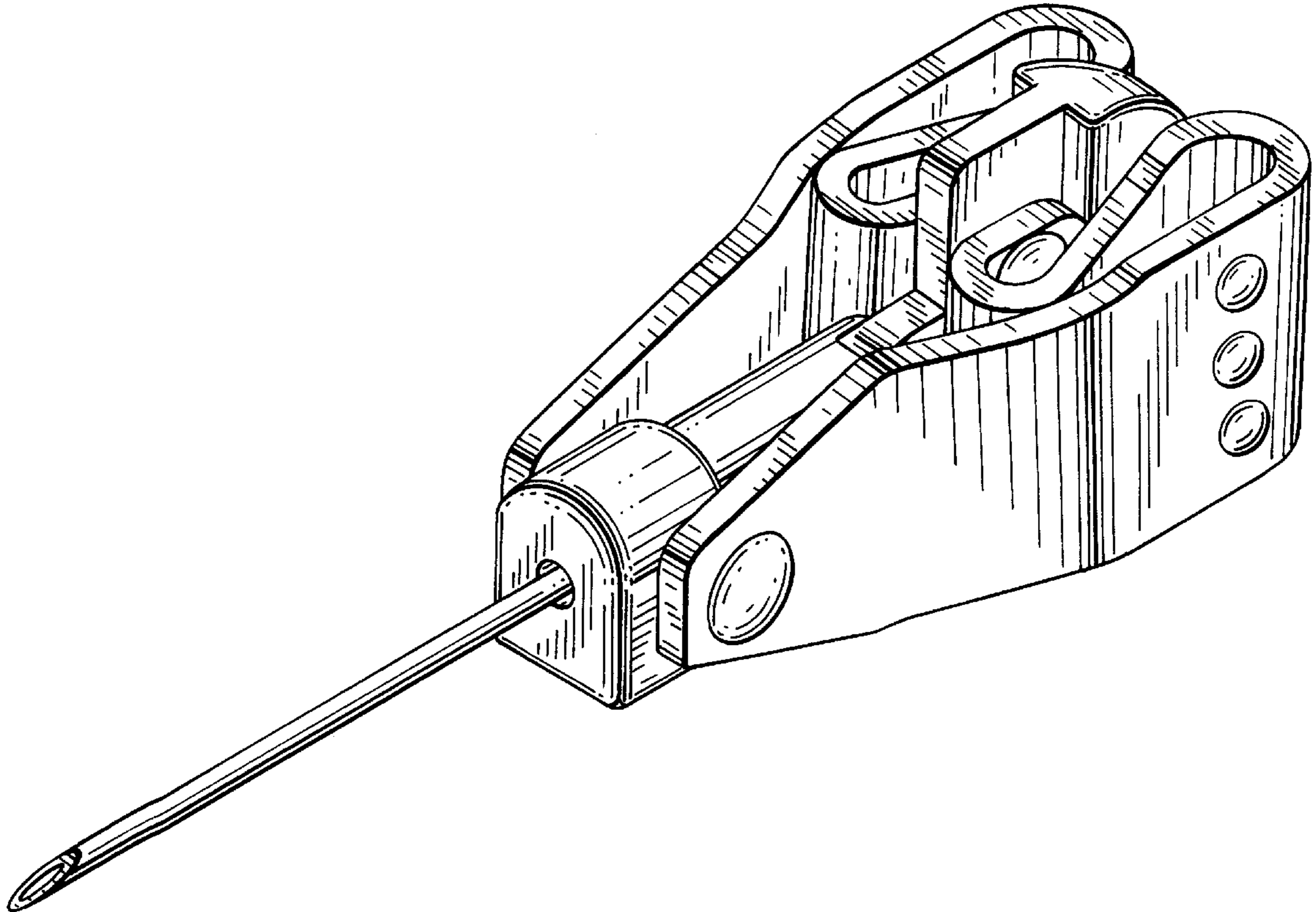
DESCRIPTION

U.S. PATENT DOCUMENTS

D. 376,200 * 12/1996 Lindgren et al. D24/112
D. 376,645 * 12/1996 Lindgren et al. D24/112
D. 417,733 * 12/1999 Howell et al. D24/112
D. 421,119 * 2/2000 Musgrave et al. D24/112
D. 424,194 * 5/2000 Holdaway et al. D24/112
4,790,828 12/1988 Dombrowski et al. .
5,176,655 * 1/1993 McCormick et al. 604/198
5,328,483 7/1994 Jacoby .

FIG. 1 is a perspective view of the needle assembly;
FIG. 2 is a top plan view thereof;
FIG. 3 is a left side elevational view thereof, with the right
side elevational view being a mirror image thereof;
FIG. 4 is a front elevational view thereof;
FIG. 5 is a rear elevational view thereof; and,
FIG. 6 is a bottom plan view thereof.

1 Claim, 5 Drawing Sheets



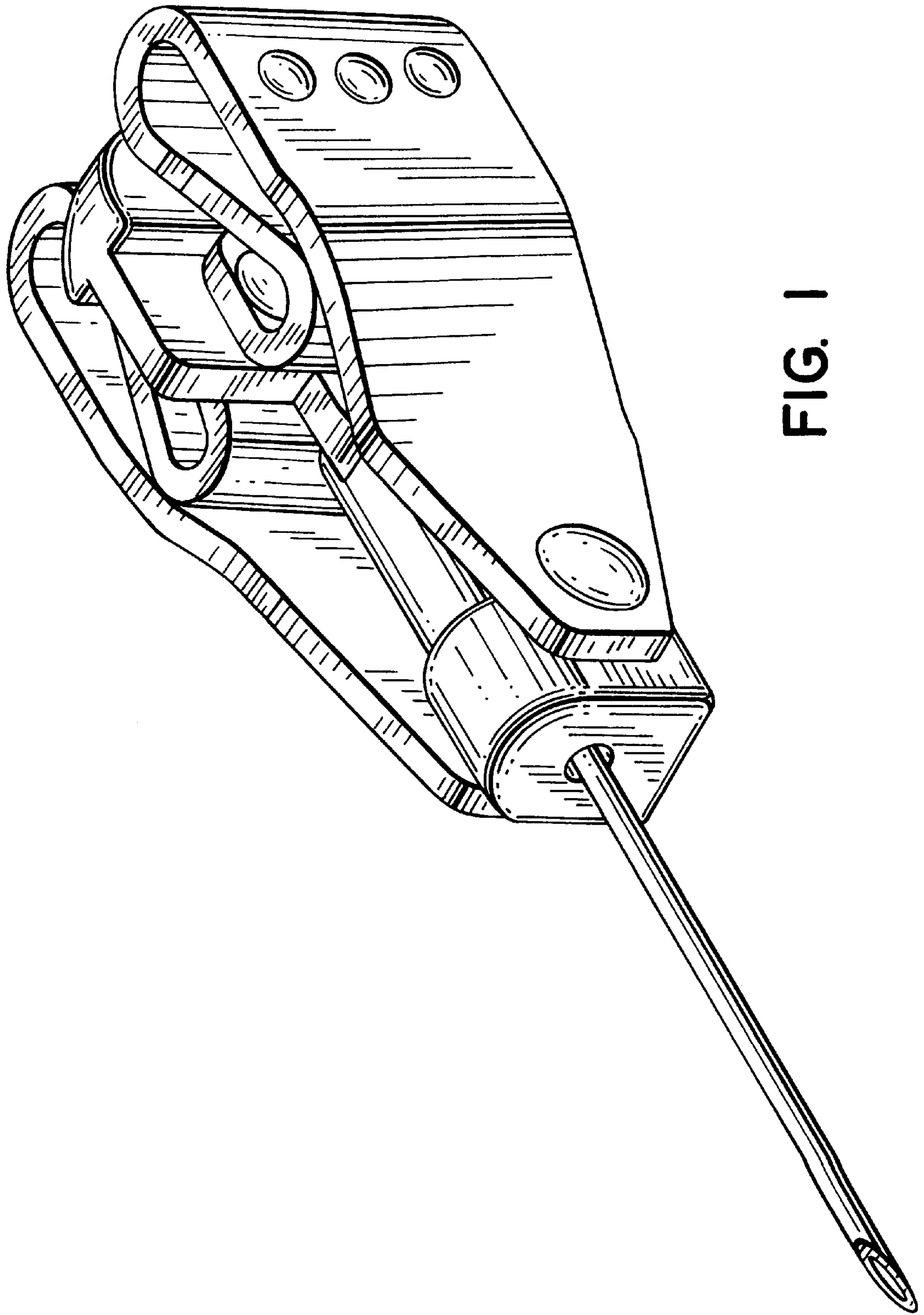


FIG. 1

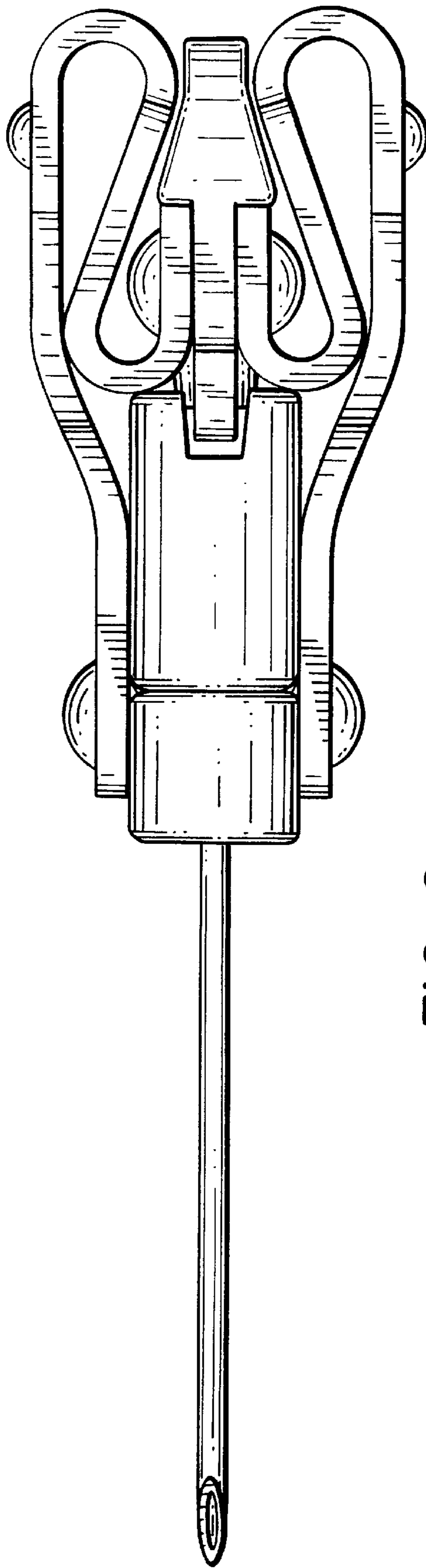


FIG. 2

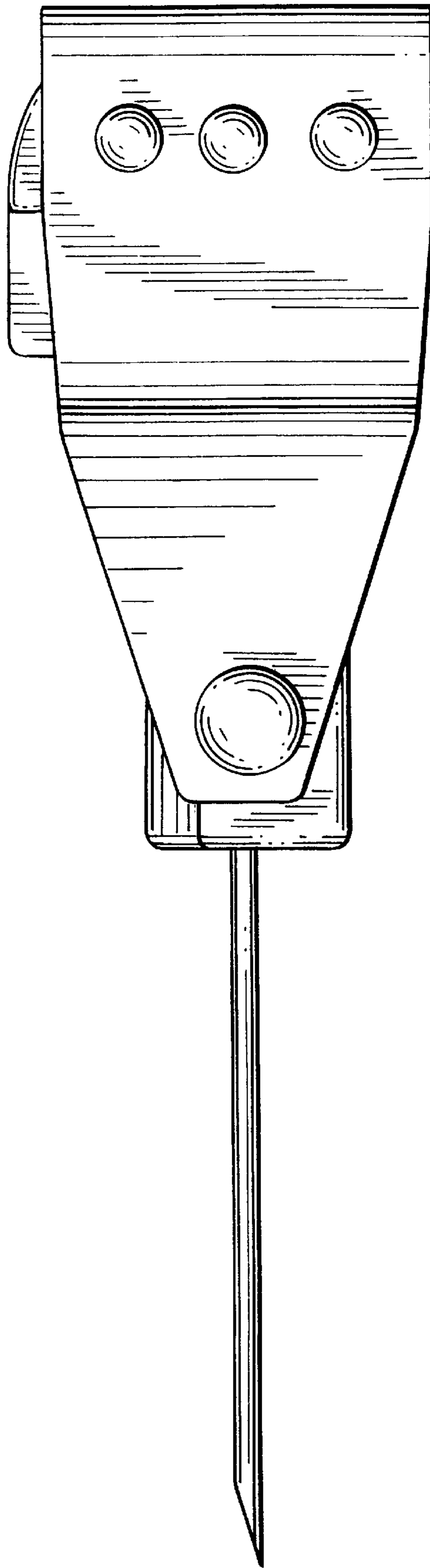


FIG. 3

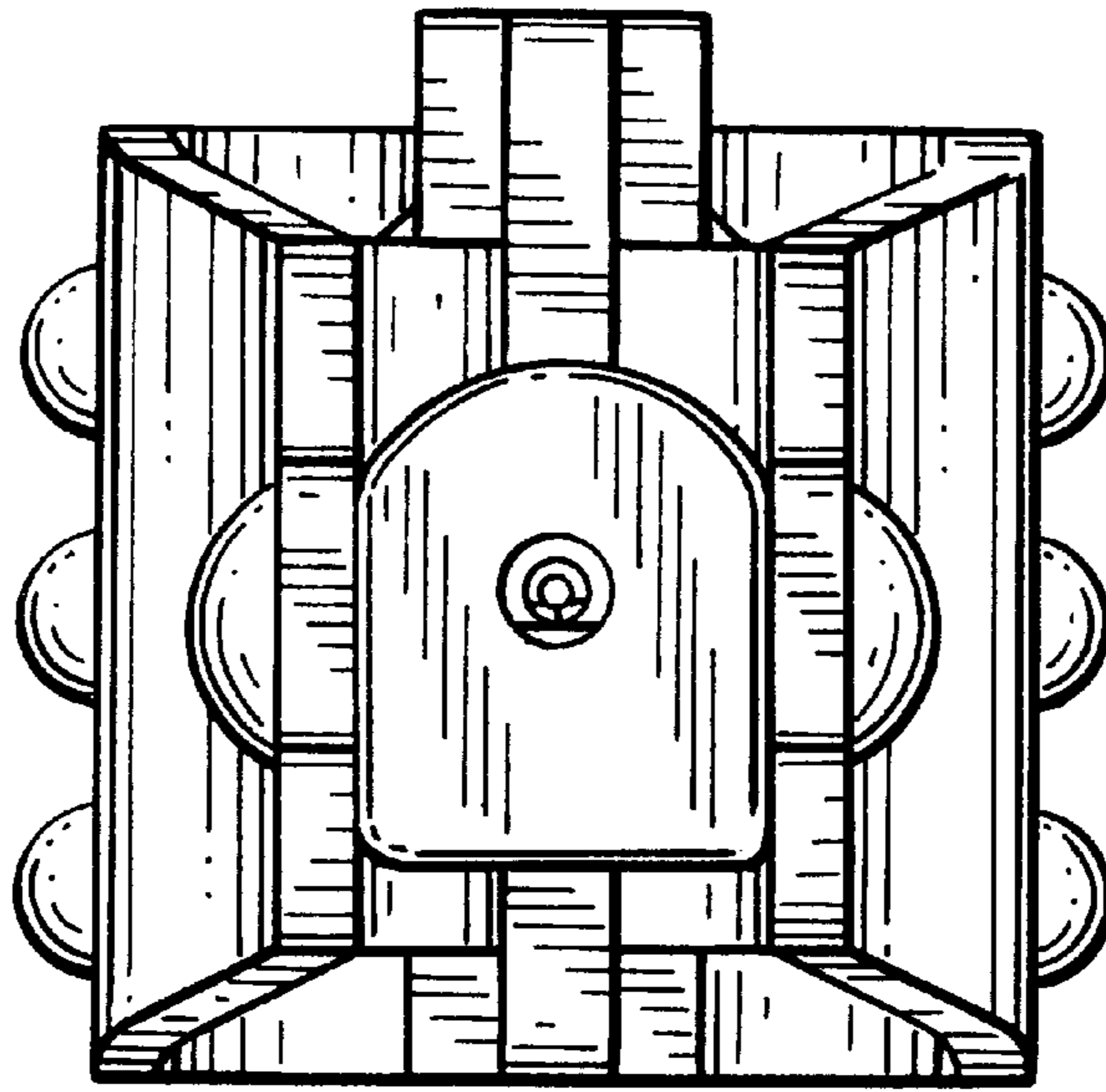


FIG. 4

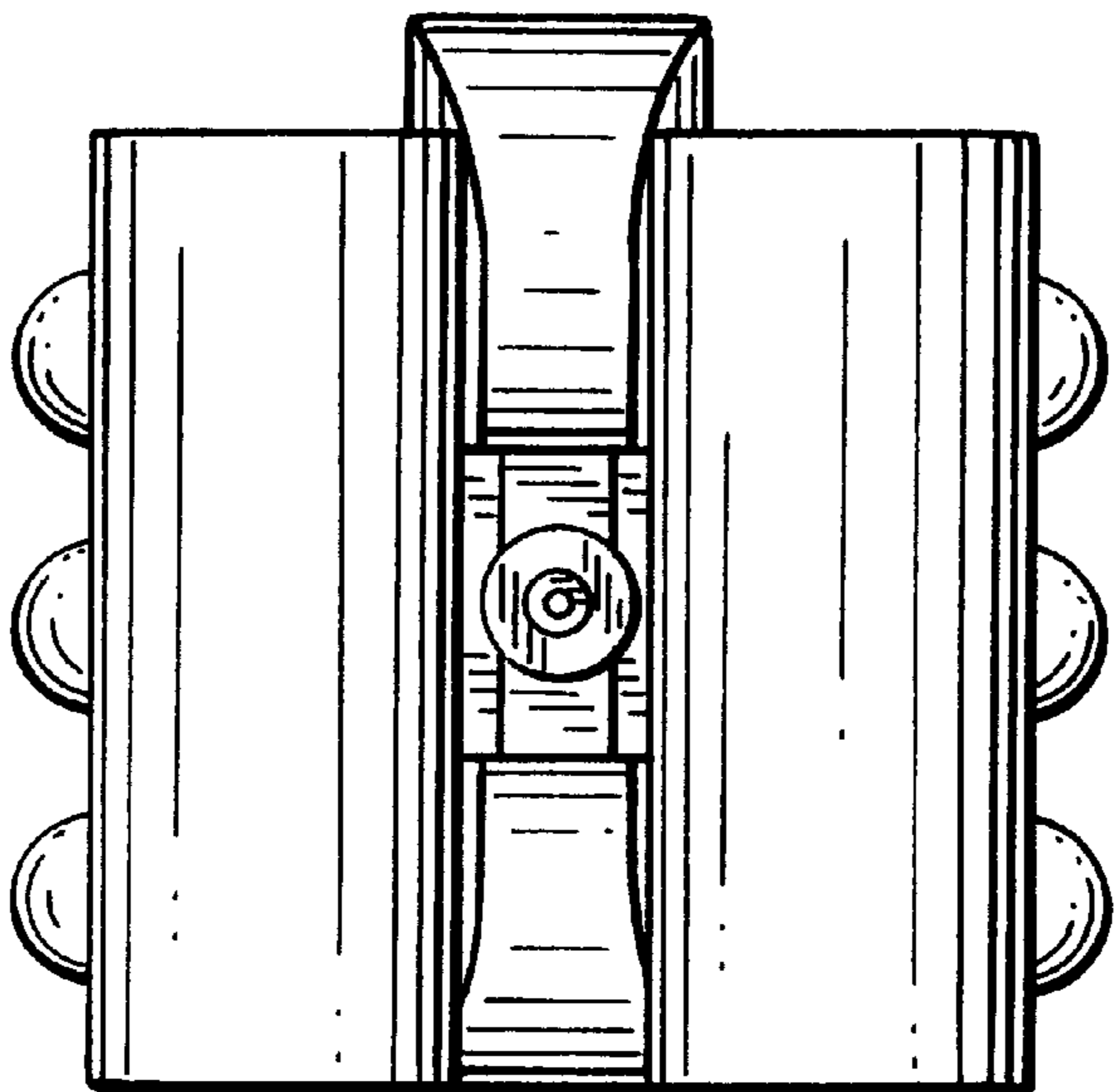


FIG. 5

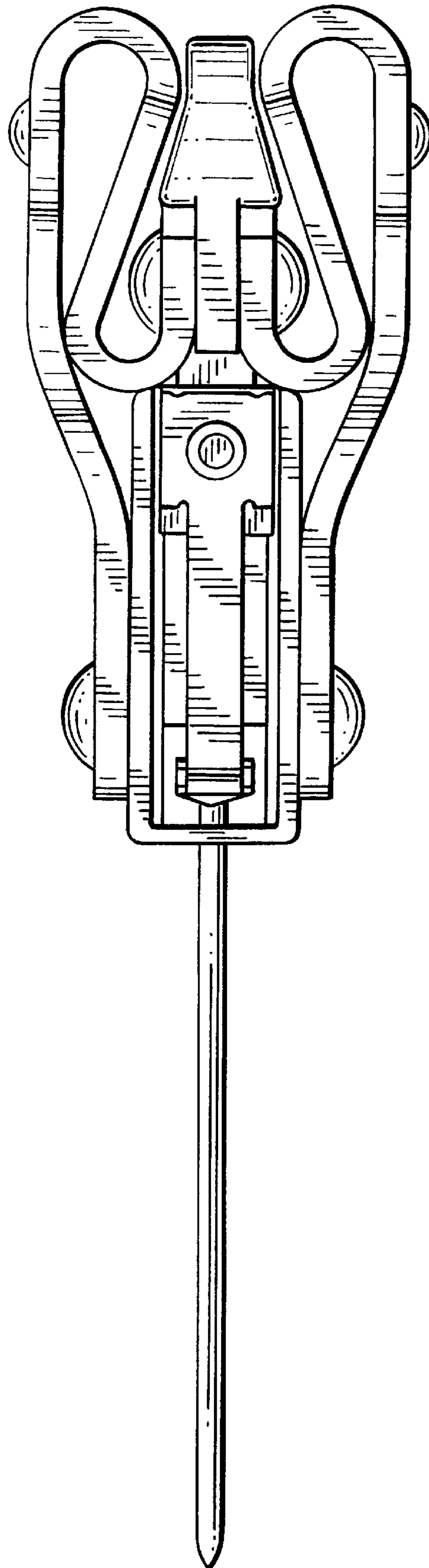


FIG. 6