



US00D452311B1

(12) **United States Design Patent**
Guala

(10) **Patent No.:** **US D452,311 S**

(45) **Date of Patent:** **** Dec. 18, 2001**

(54) **DRIP CHAMBER WITH FOUR OUTER AXIAL RIBS FOR INFUSION OR TRANSFUSION MEDICAL LINES**

D. 406,336 * 3/1999 Ernesto et al. D24/112
5,242,424 * 9/1993 Chen 604/251

* cited by examiner

(75) Inventor: **Gianni Guala**, Turin (IT)

Primary Examiner—Ian Simmons

(73) Assignee: **Industrie Borla Spa** (IT)

(74) *Attorney, Agent, or Firm*—TraskBritt

(**) Term: **14 Years**

(57) **CLAIM**

(21) Appl. No.: **29/134,603**

The ornamental design for a drip chamber with four outer axial ribs for infusion or transfusion medical lines, as shown and described.

(22) Filed: **Dec. 22, 2000**

(30) **Foreign Application Priority Data**

DESCRIPTION

Aug. 3, 2000 (IT) TO0000189

(51) **LOC (7) Cl.** **24-02**

(52) **U.S. Cl.** **D24/112**

(58) **Field of Search** D24/112, 121,
D24/108; 128/DIG. 13, DIG. 12; 604/251,
403, 411, 412, 257, 122

FIG. 1 is a bottom perspective view of a drip chamber with four axial ribs for infusion or transfusion medical lines showing my new design;

FIG. 2 is a top perspective view thereof;

FIG. 3 is a left side elevational view thereof;

FIG. 4 is a right side elevational view thereof;

FIG. 5 is a bottom plan view of FIG. 1; and,

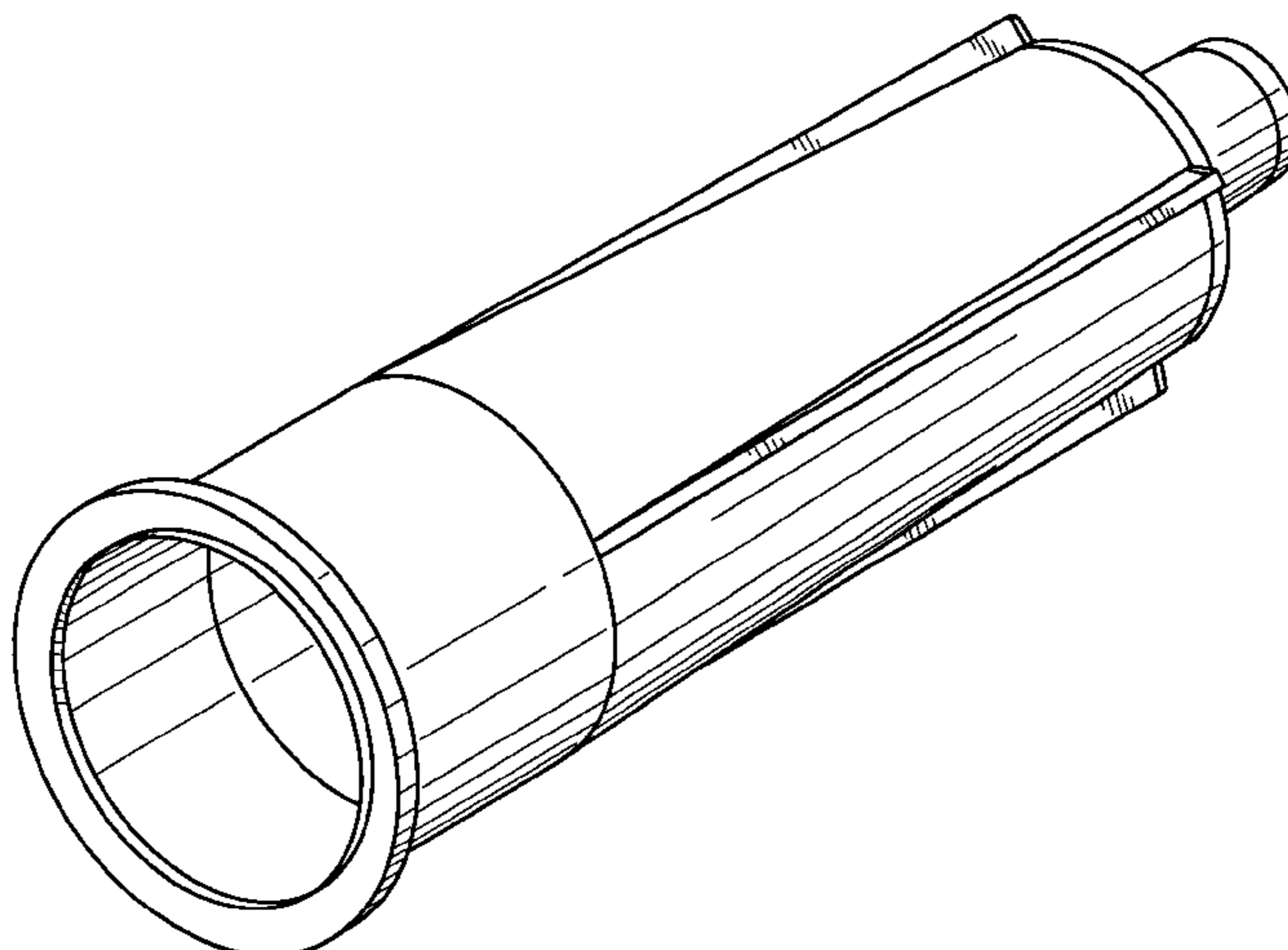
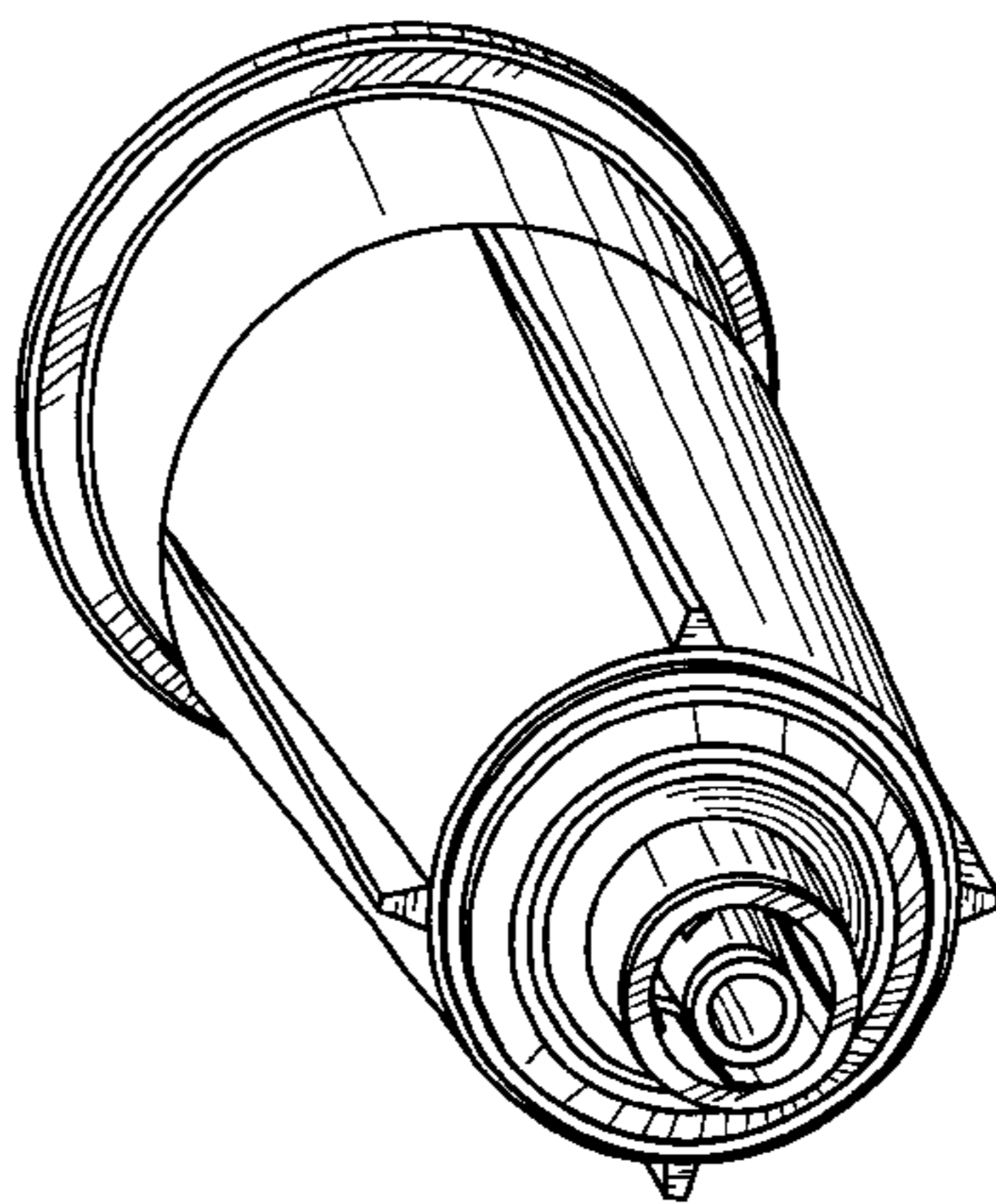
FIG. 6 is a top plan view thereof.

(56) **References Cited**

U.S. PATENT DOCUMENTS

D. 335,535 * 5/1993 Arioka et al. D24/112

1 Claim, 2 Drawing Sheets



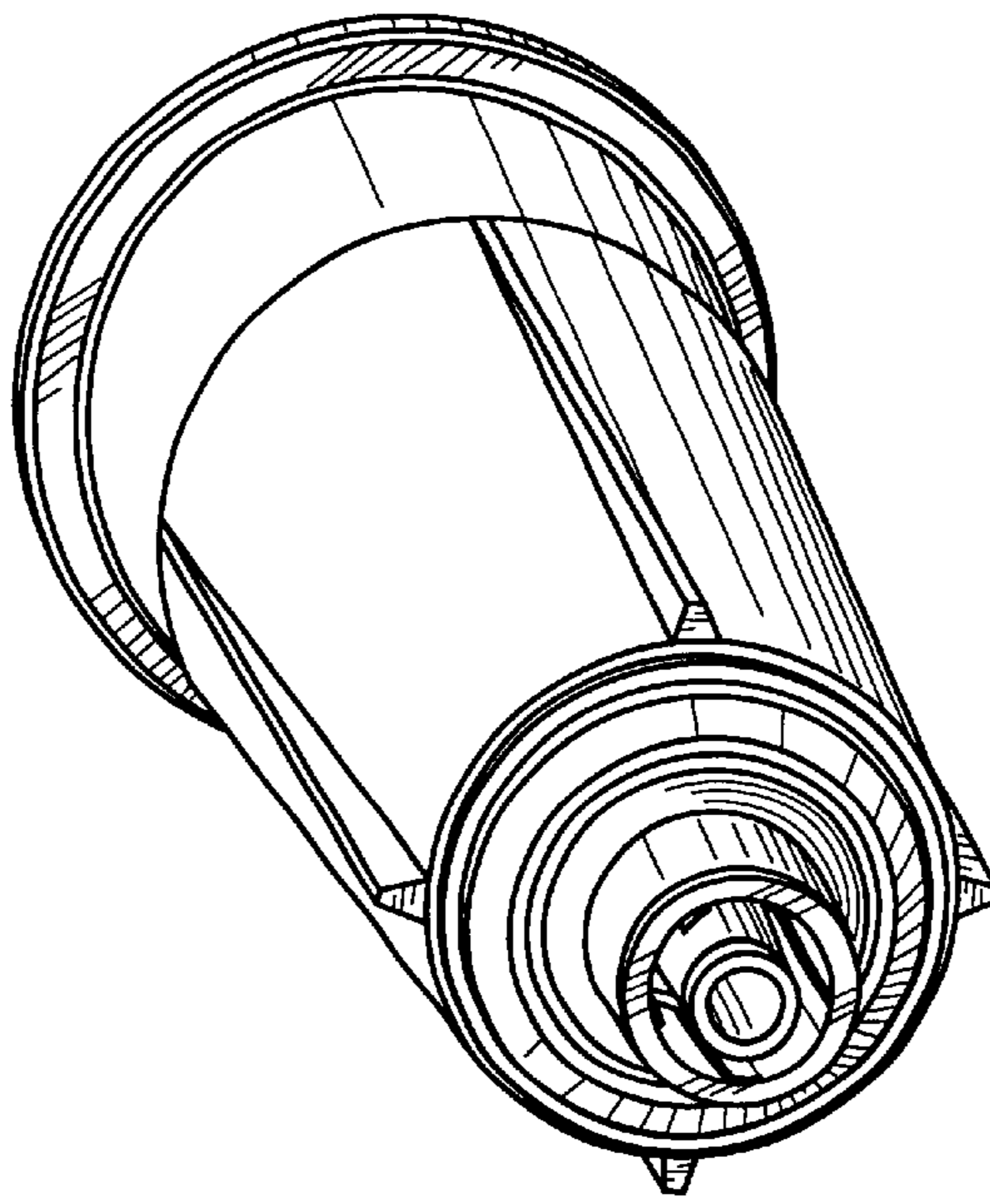


Fig. 1

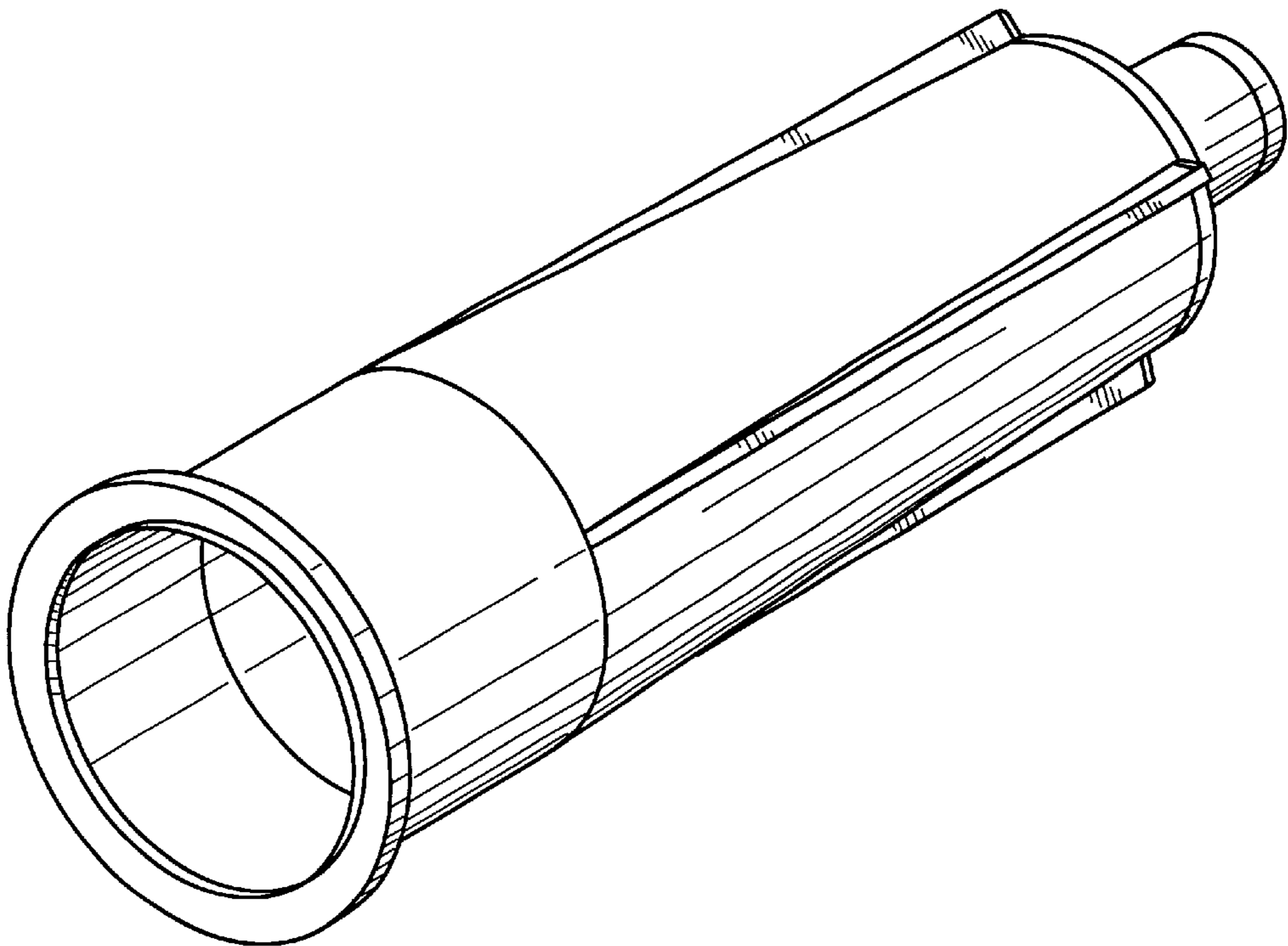


Fig. 2

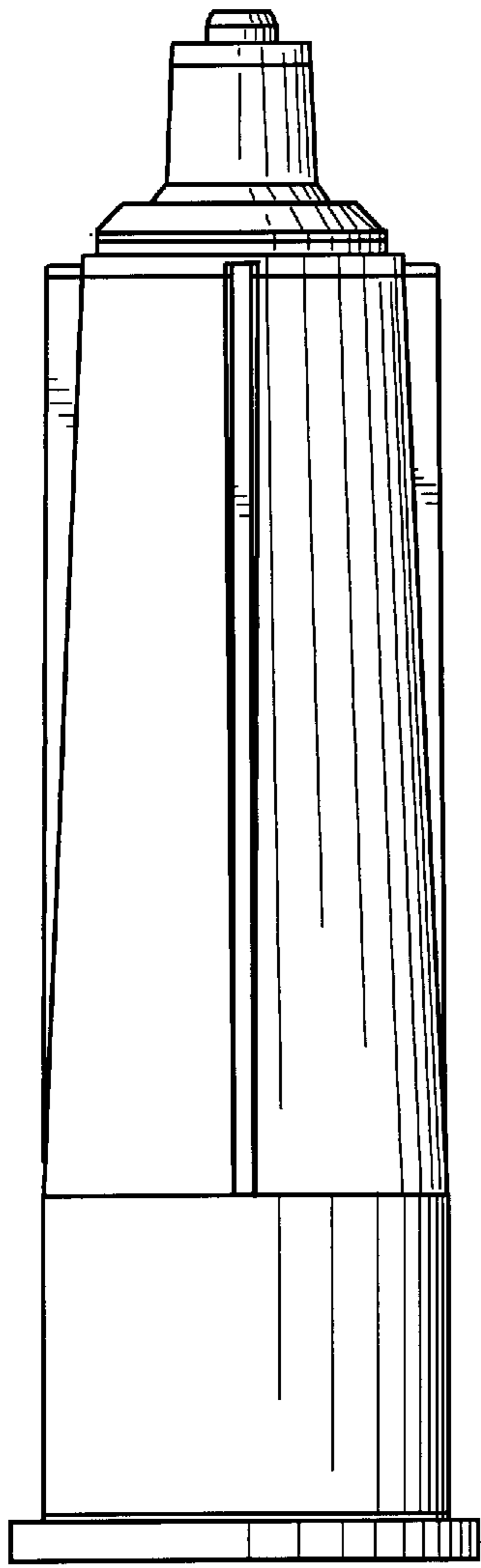


Fig. 3

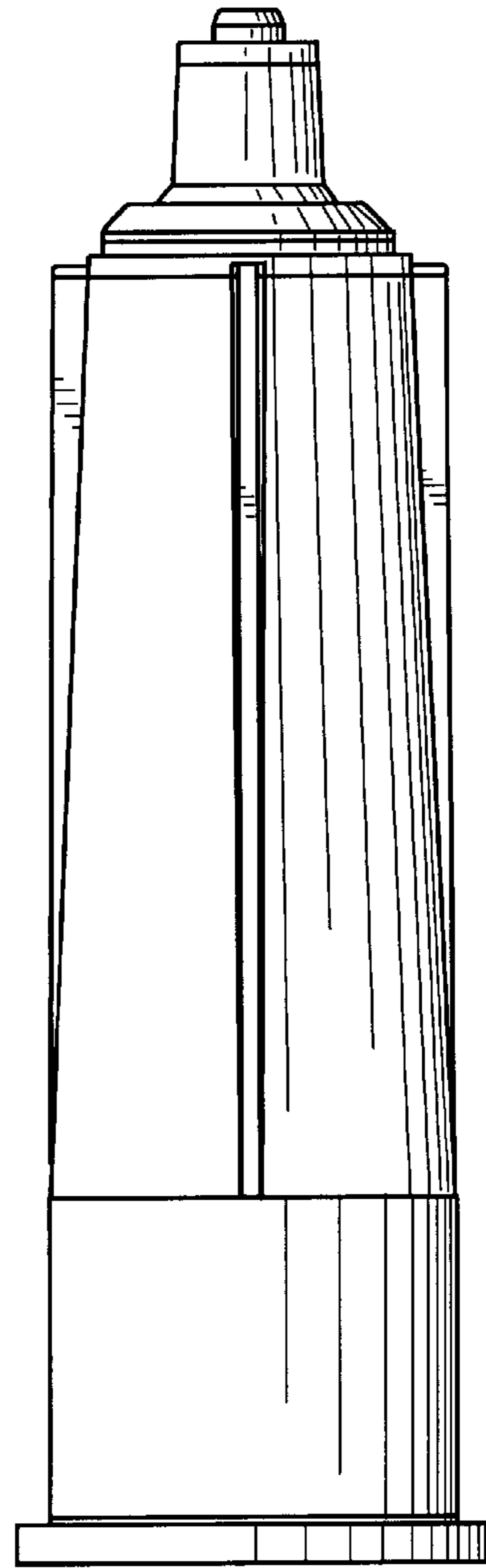


Fig. 4

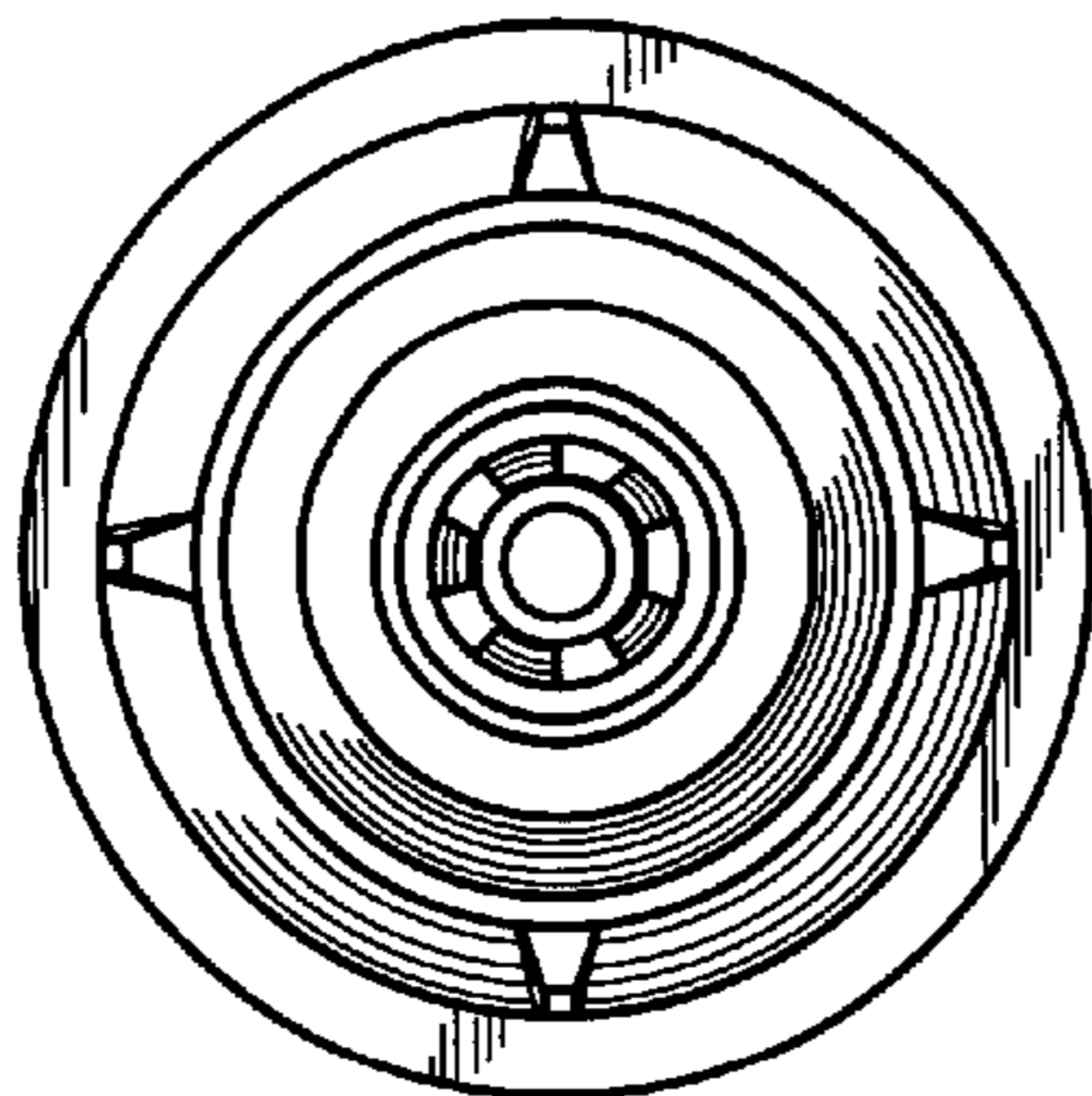


Fig. 5

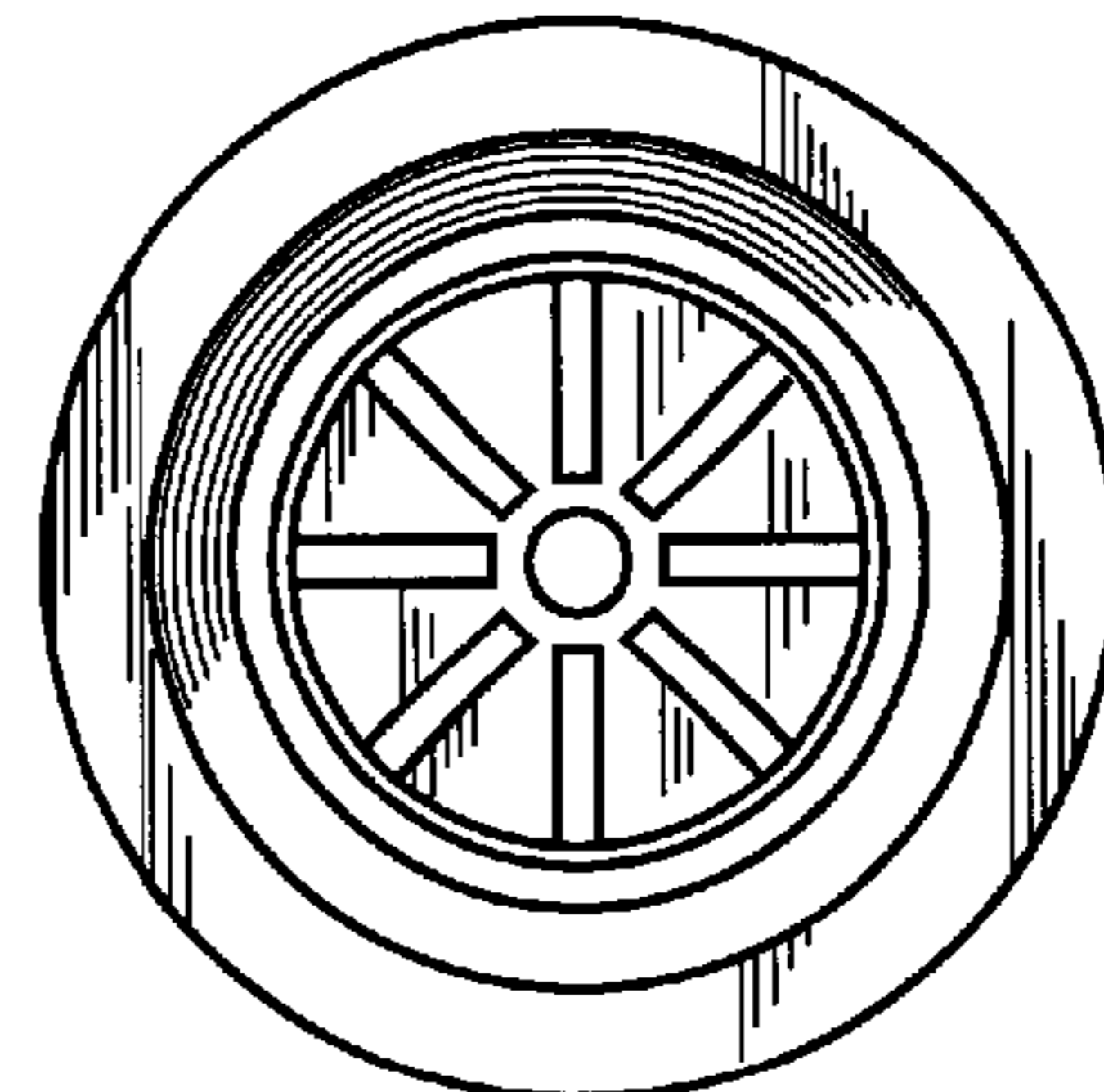


Fig. 6