



US00D452308B1

(12) **United States Design Patent**
Lee

(10) **Patent No.:** **US D452,308 S**

(45) **Date of Patent:** **** Dec. 18, 2001**

(54) **COMBINED CEILING FAN MOUNTING CANOPY, MOTOR AND SWITCH HOUSING, BLADE IRONS AND LIGHT FIXTURE BRACKET UNIT**

(76) **Inventor:** **Ching-Tan Lee**, No. 52, Lane 480, Section 2, Fenghsi Rd., Fengyuan, Taichung Hsien (TW)

(**) **Term:** **14 Years**

(21) **Appl. No.:** **29/134,739**

(22) **Filed:** **Dec. 29, 2000**

(51) **LOC (7) Cl.** **23-04**

(52) **U.S. Cl.** **D23/411; D23/377**

(58) **Field of Search** **D23/411, 377, D23/379, 385; 416/5; D26/59, 81-86, 88, 72, 57; 392/364; 362/96**

(56) **References Cited**

U.S. PATENT DOCUMENTS

- D. 381,742 * 7/1997 Tsuji D23/377
- D. 412,571 * 8/1999 Lee D23/377
- D. 428,129 * 7/2000 Huang D23/377

* cited by examiner

Primary Examiner—Lisa Lichtenstein
(74) *Attorney, Agent, or Firm*—Rosenberg, Klein & Lee

(57) **CLAIM**

The ornamental design for a combined ceiling fan mounting canopy, motor and switch housing, blade irons and light fixture bracket unit, as shown and described.

DESCRIPTION

FIG. 1 is a front-bottom perspective view of a combined ceiling fan mounting canopy, motor and switch housing blade irons and light fixture bracket unit, showing my new design;

FIG. 2 is an enlarged front elevational view thereof;

FIG. 3 is an enlarged rear elevational view thereof;

FIG. 4 is an enlarged left elevational view thereof; and

FIG. 5 is an enlarged right elevational view thereof;

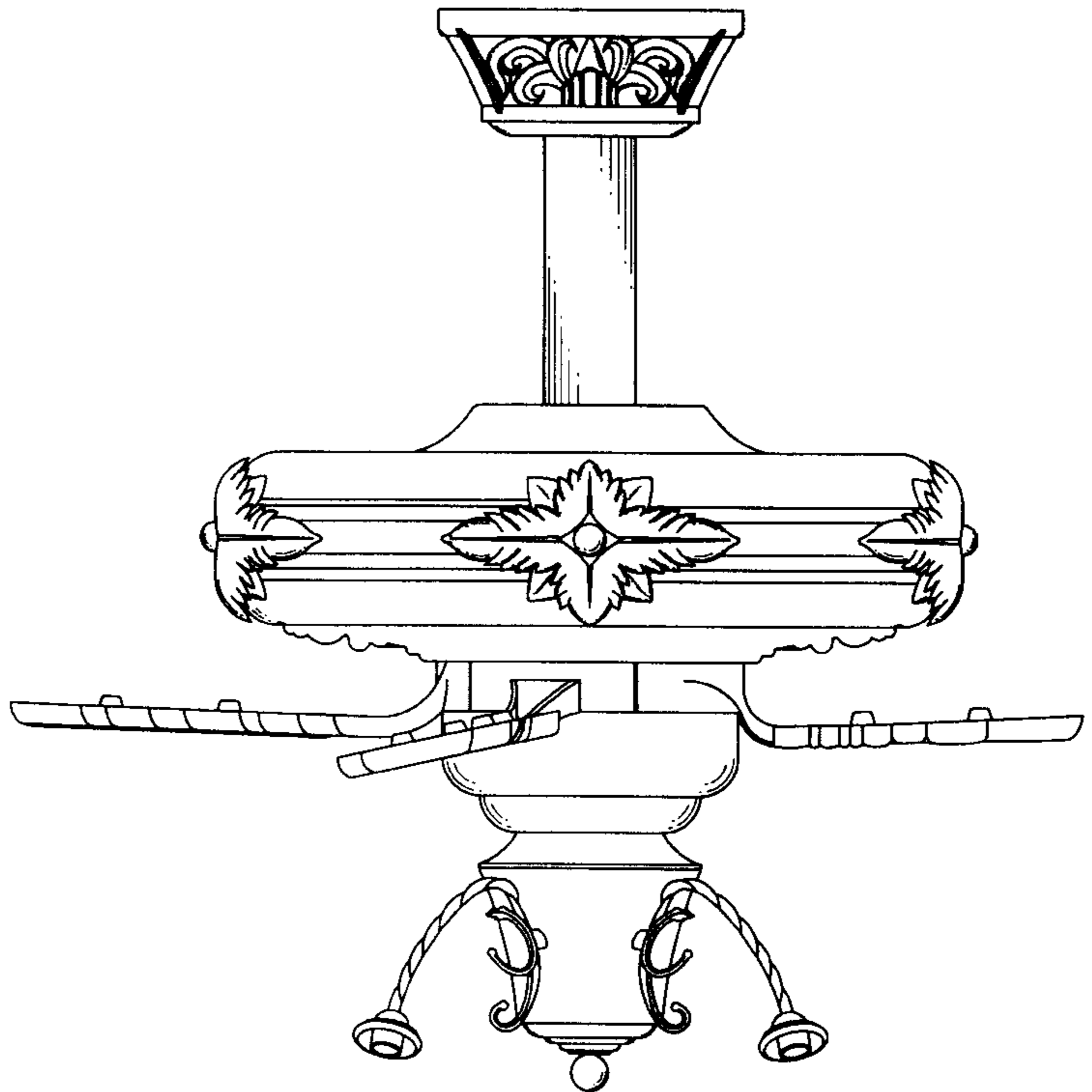
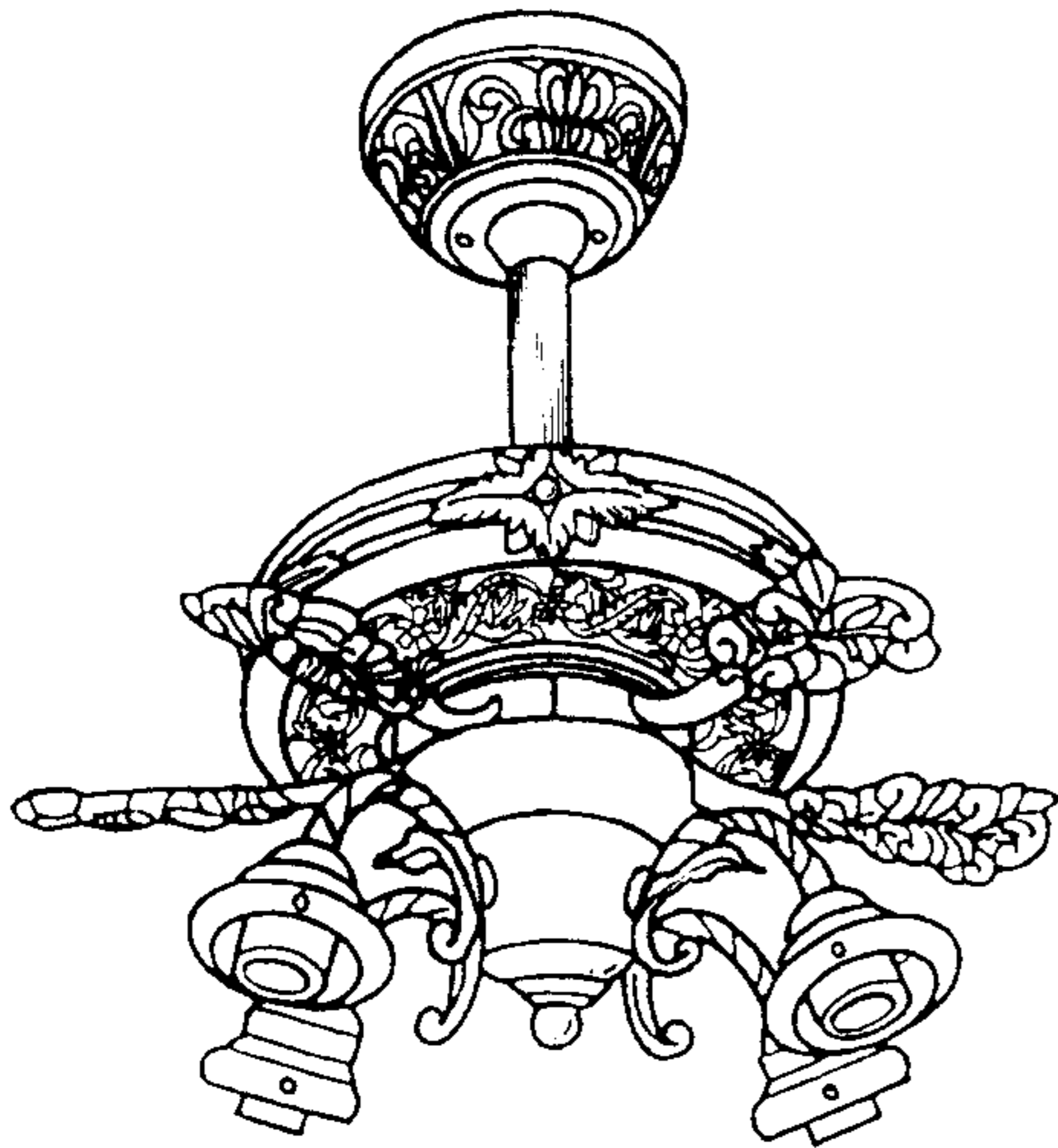
FIG. 6 is an enlarged top plan view thereof; and

FIG. 7 is an enlarged bottom plan view thereof; and,

FIG. 8 is a perspective view thereof.

The broken line showing of environmental structure in FIG. 8 is for illustrative purposes only and forms no part of the claimed design.

1 Claim, 8 Drawing Sheets



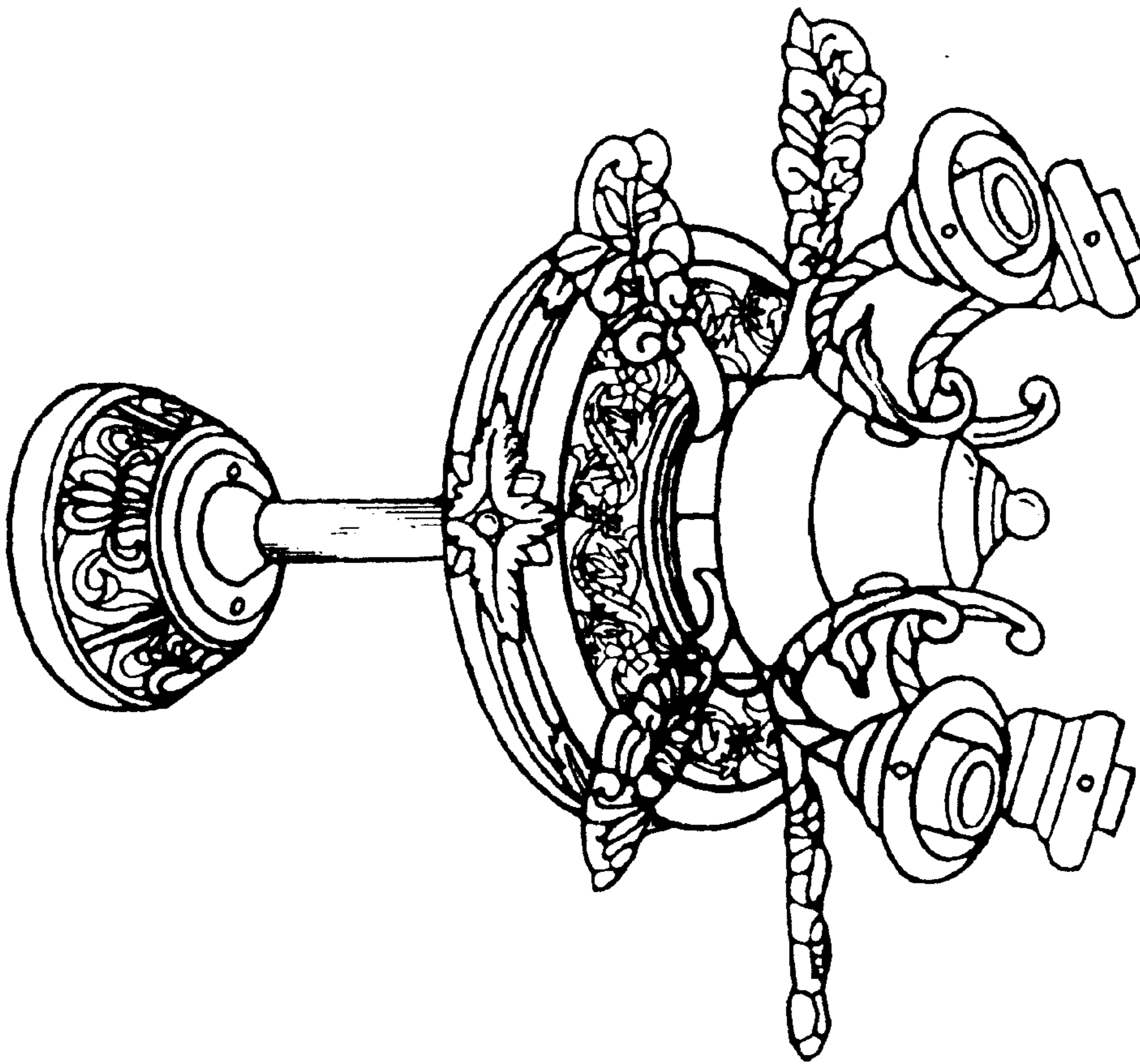


FIG. 1

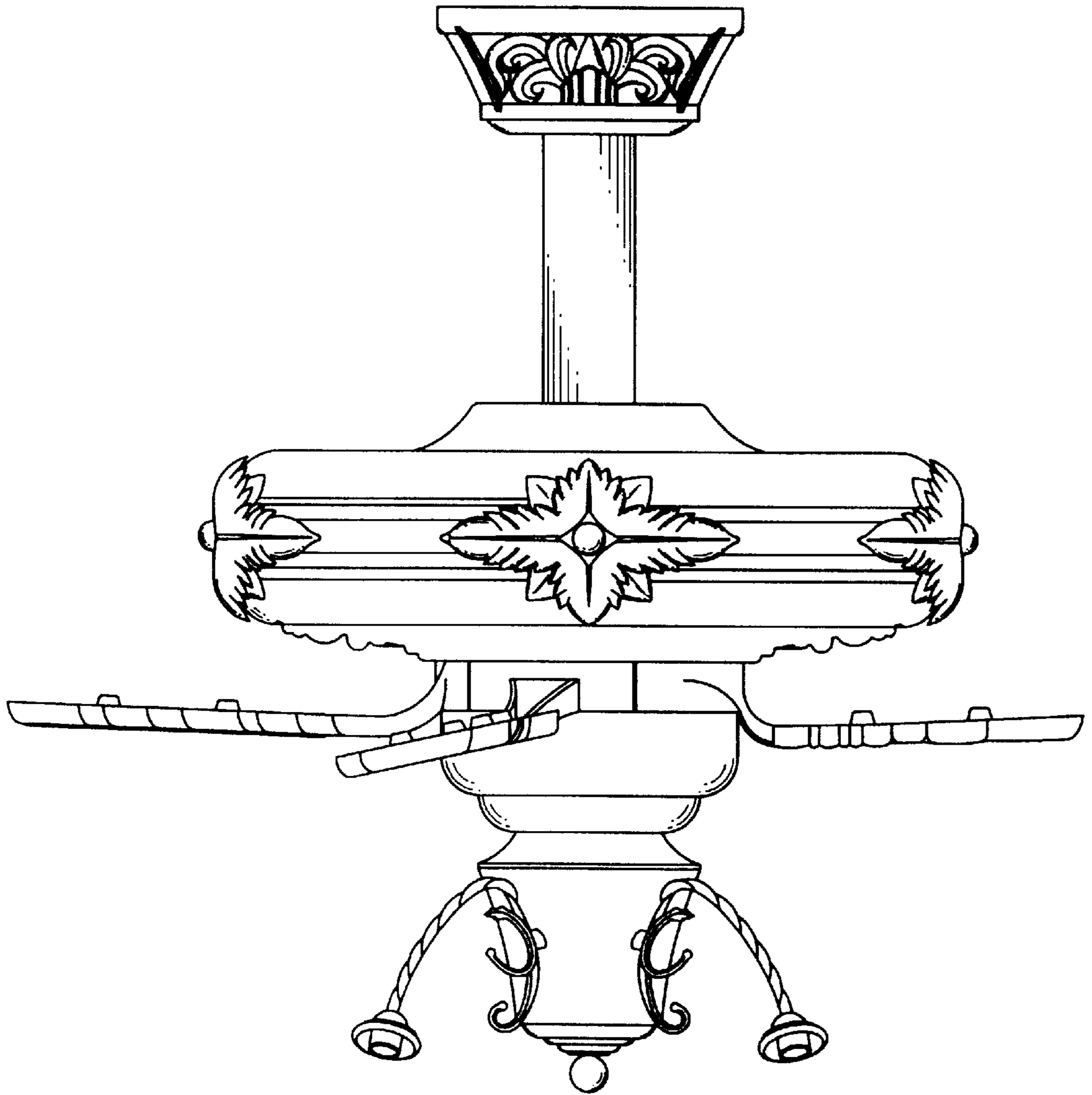


FIG. 2

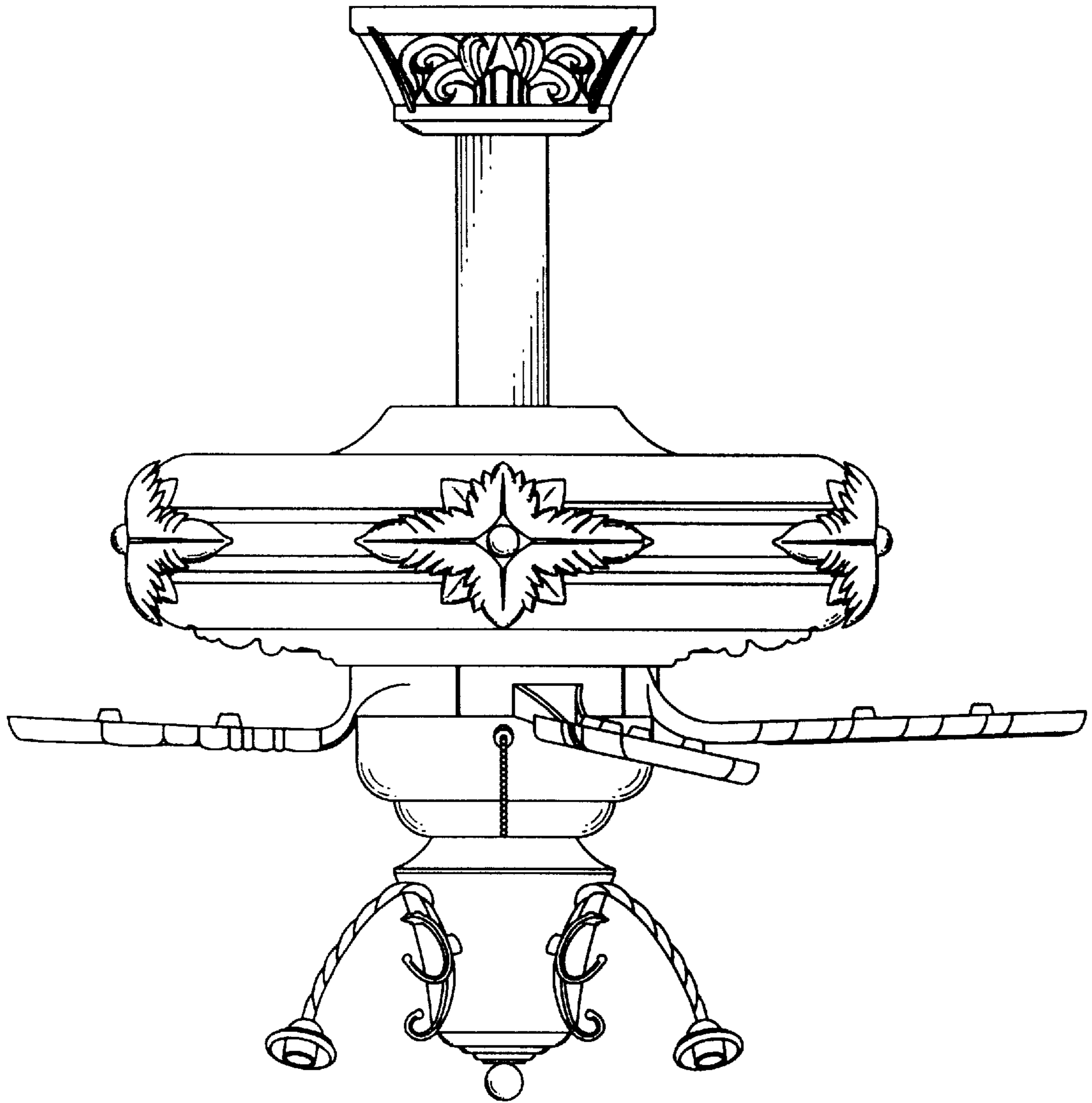


FIG. 3

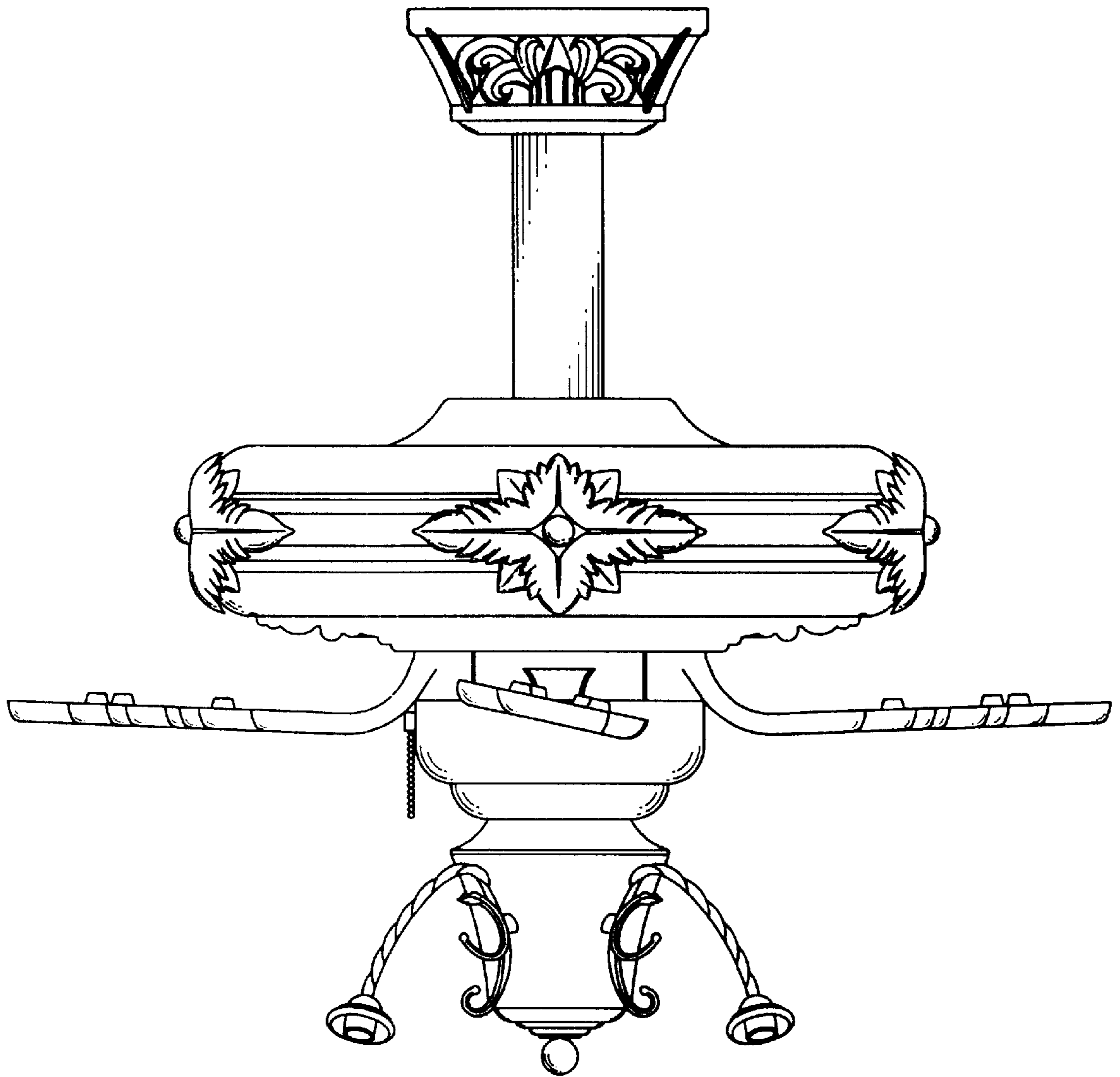


FIG. 4

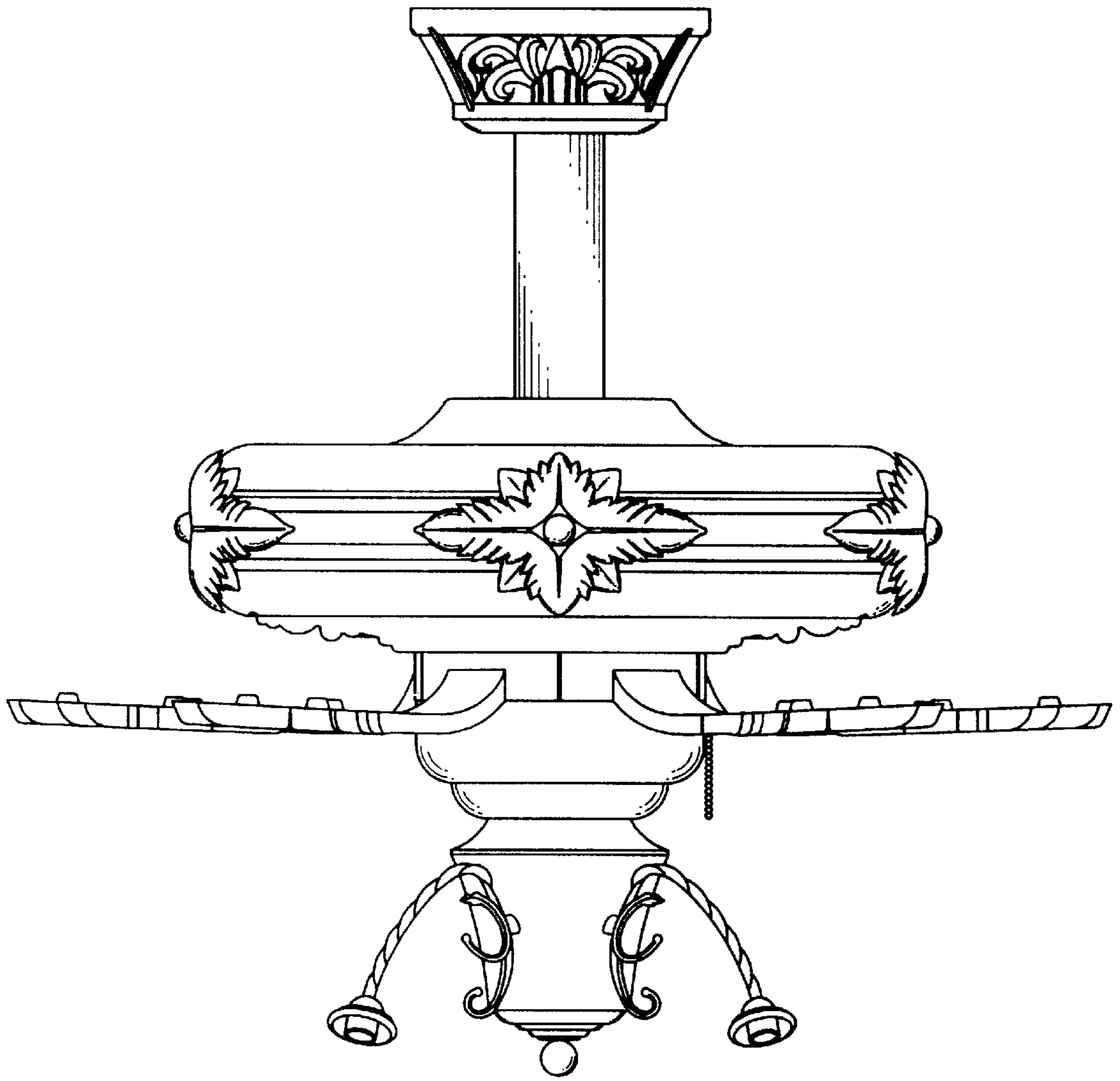


FIG. 5

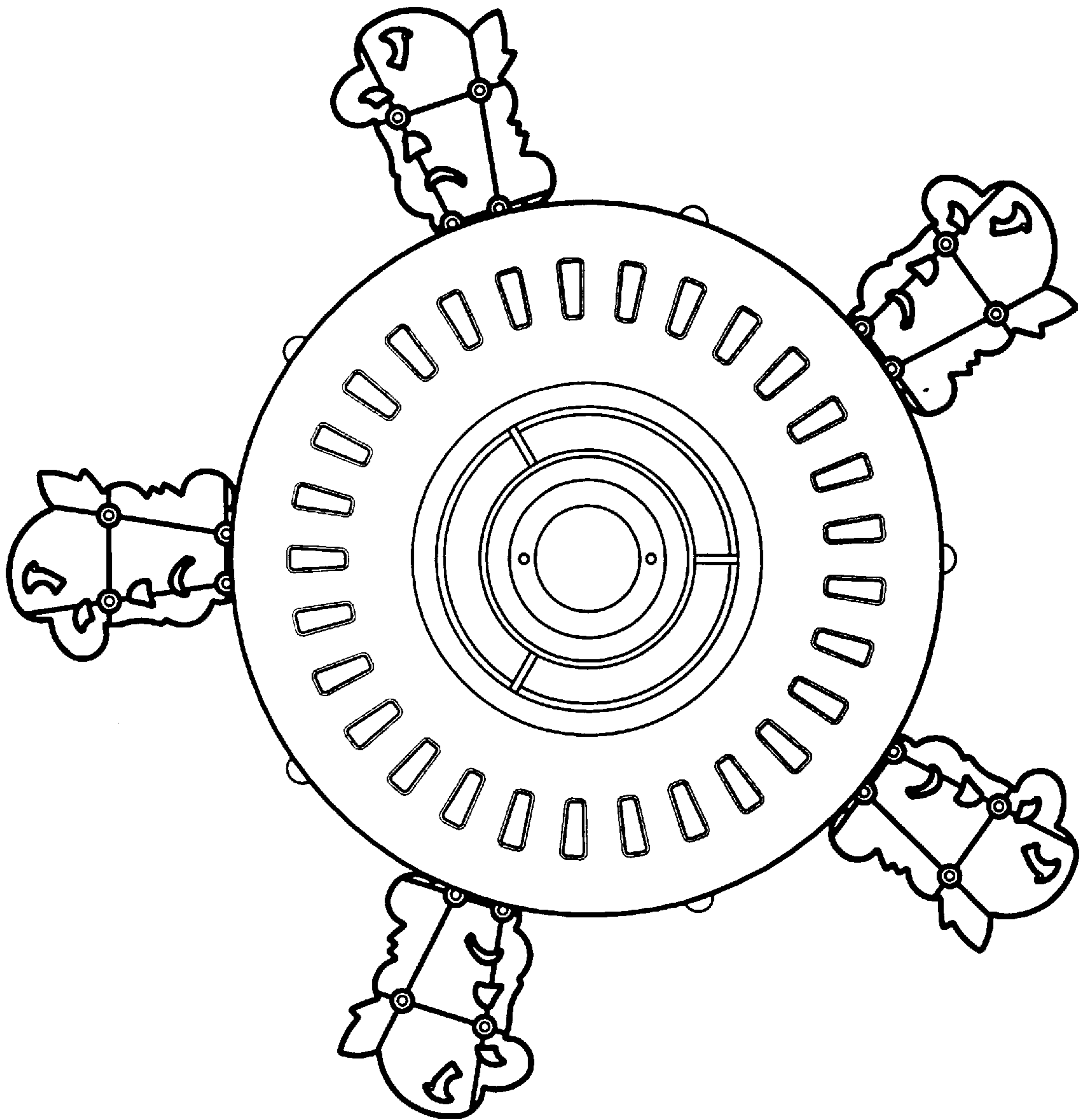


FIG. 6

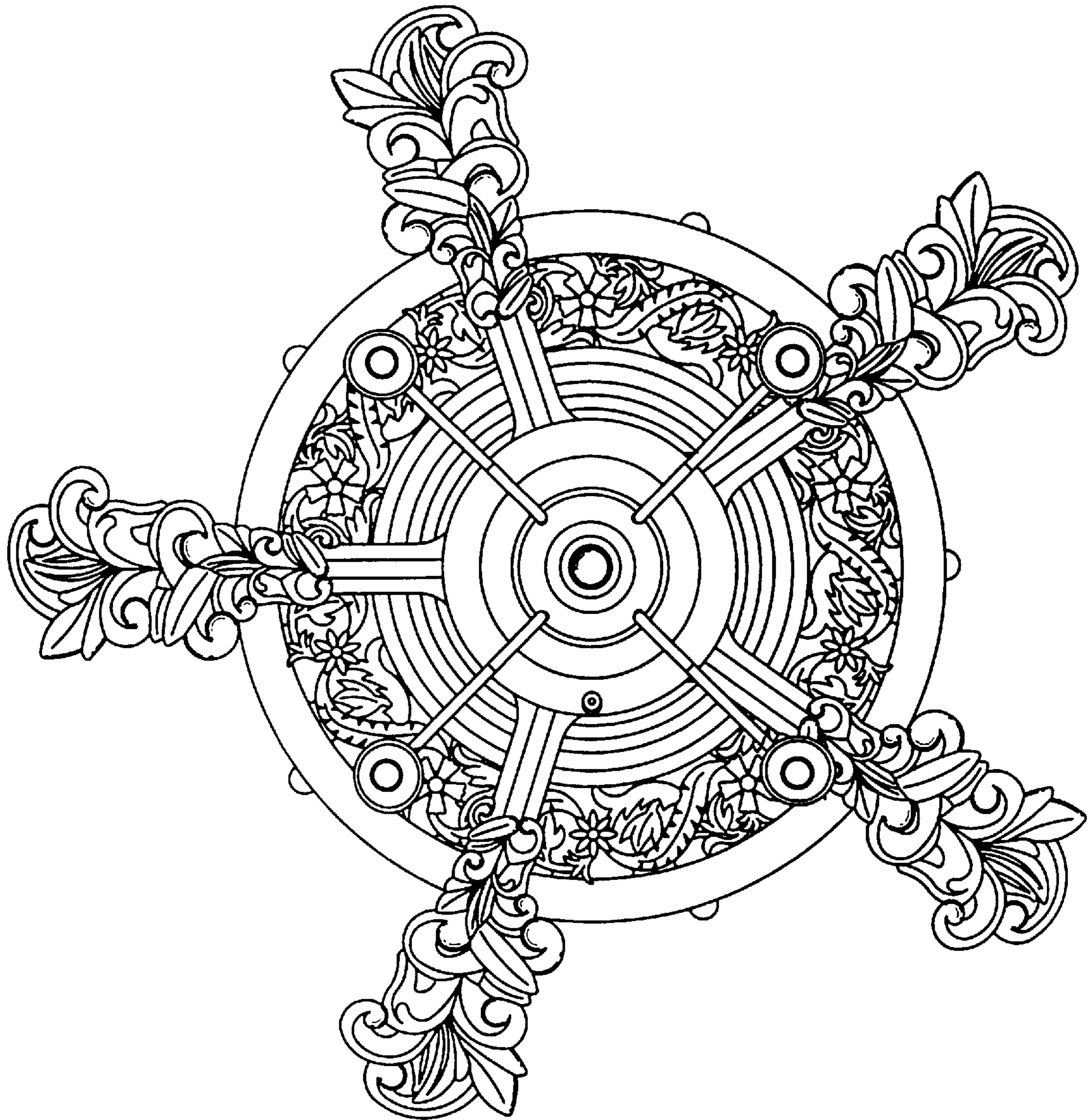


FIG. 7

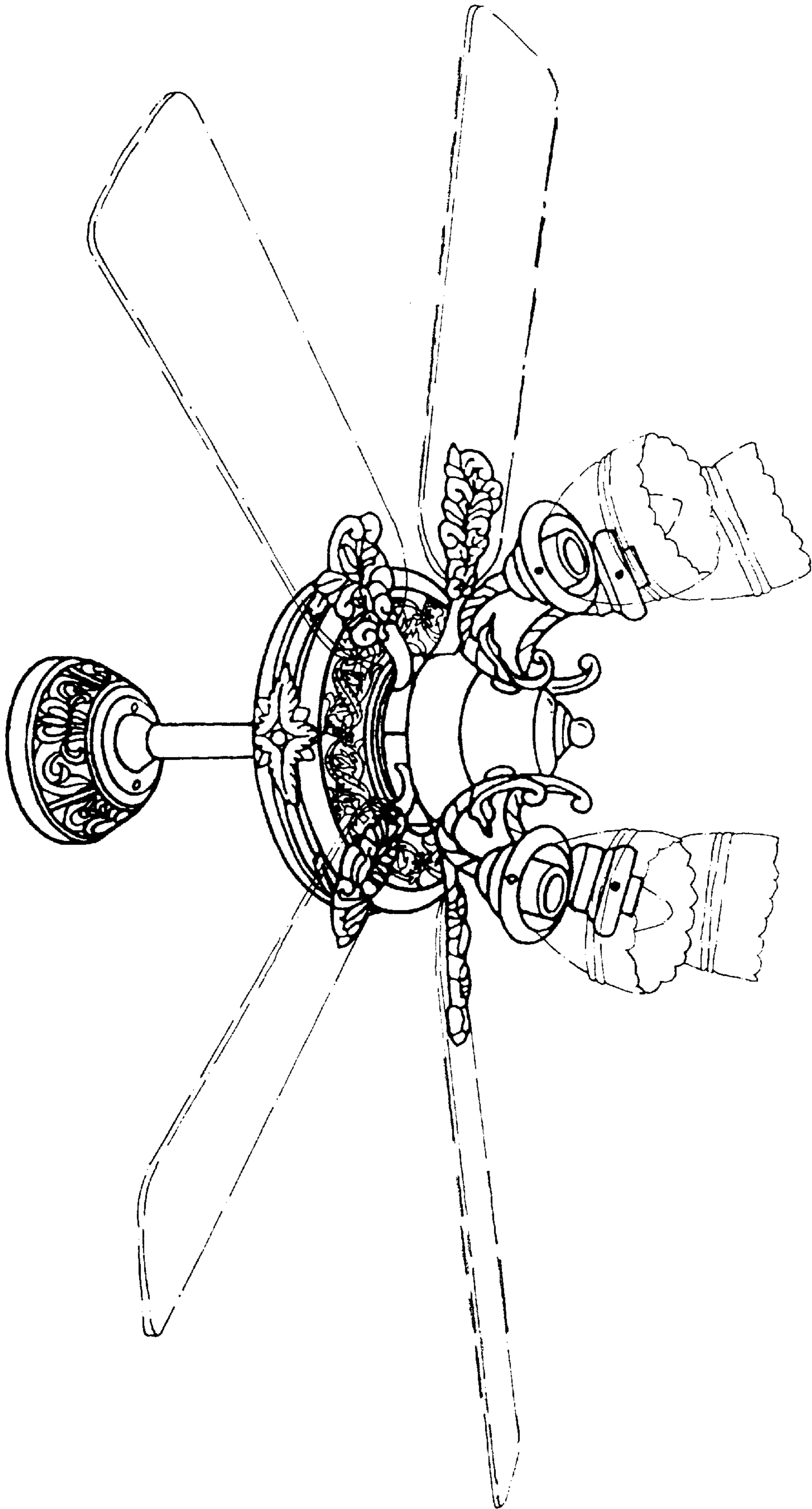


FIG. 8