



US00D452307B1

(12) **United States Design Patent**
Dolan

(10) **Patent No.:** **US D452,307 S**

(45) **Date of Patent:** **** Dec. 18, 2001**

(54) **COMBINED CEILING FAN MOTOR HOUSING AND LIGHT FIXTURE UNIT**

(76) **Inventor:** **Patrick S. Dolan**, 1901 NW. Upshur St., Portland, OR (US) 97209

(**) **Term:** **14 Years**

(21) **Appl. No.:** **29/134,729**

(22) **Filed:** **Dec. 27, 2000**

(51) **LOC (7) Cl.** **23-04**

(52) **U.S. Cl.** **D23/411; D23/377; D23/379; D23/385; D26/59**

(58) **Field of Search** **D23/411, 377, D23/379, 385; D26/59, 81-86, 72, 57; 392/364; 362/96**

(56) **References Cited**

U.S. PATENT DOCUMENTS

- D. 377,084 * 12/1996 DiPasquale D23/411
- D. 384,739 * 10/1997 Dolan D23/411
- D. 438,334 * 2/2001 Dolan D26/134

OTHER PUBLICATIONS

Quorum, Fort Worth, TX, Cat. 9601, 1996 p. 9—Model 26525-66.

Monte Carlo Fan Co., Fort Worth, TX, Cat. 1997-98 p. 18—Model 5BS52PB.

Emerson Fan Hazelwood, MO Cat 100007, Jan., 1997 p. 41,—Model GK50.

Ellington Fans, Grand Prairie, TX, 1998 p. 7, Model LUM52BB5LK.

Hunter Fan, Memphis, TN, 1991, p. 24 Studio Series 22936.

JC Penney Co., Inc, Milwaukee, WI, Spring/Summer Catalog1997 p. 800, Model A852-0512.

* cited by examiner

Primary Examiner—Lisa Lichtenstein

(57) **CLAIM**

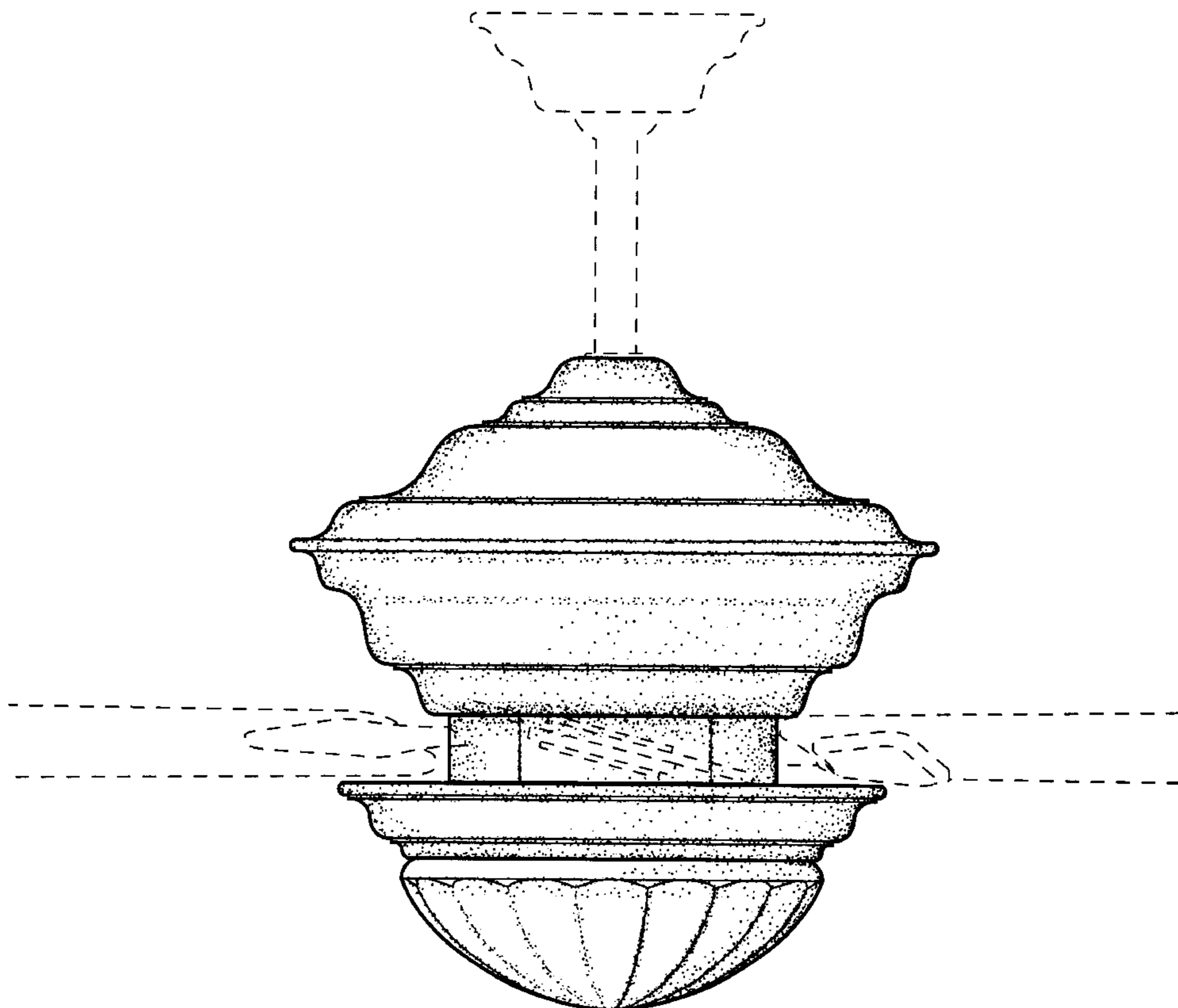
The ornamental design for a combined ceiling fan motor housing and light fixture unit, as shown and described.

DESCRIPTION

FIG. 1 is a perspective view thereof;
FIG. 2 is a front elevational view thereof;
FIG. 3 is a right side view thereof;
FIG. 4 is a left side view thereof;
FIG. 5 is a top plan view thereof; and,
FIG. 6 is a bottom plan view thereof.

The broken line showing of environmental structure in FIGS. 1-6 is for illustrative purposes only and forms no part of the claimed design.

1 Claim, 6 Drawing Sheets



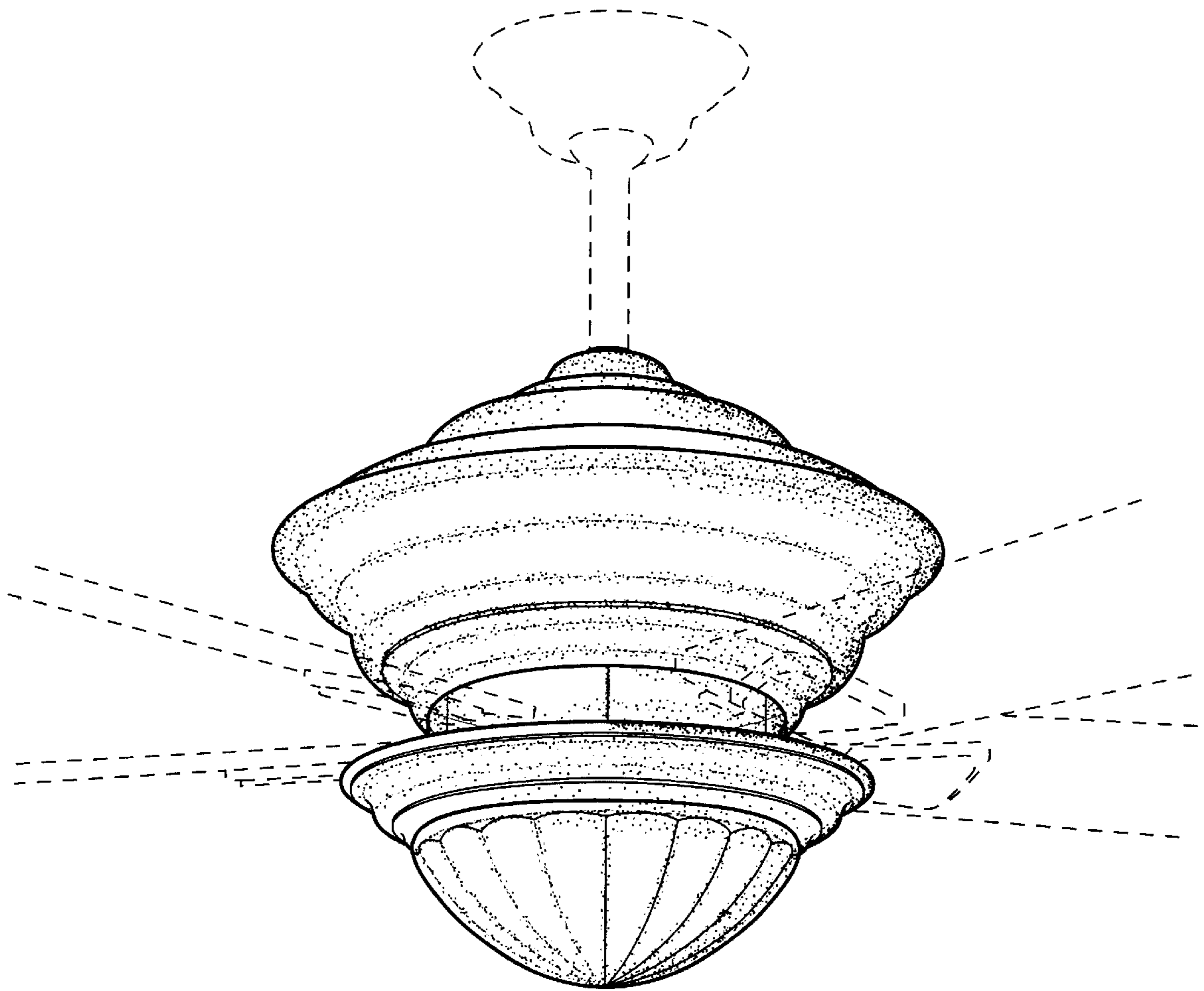


FIG. 1

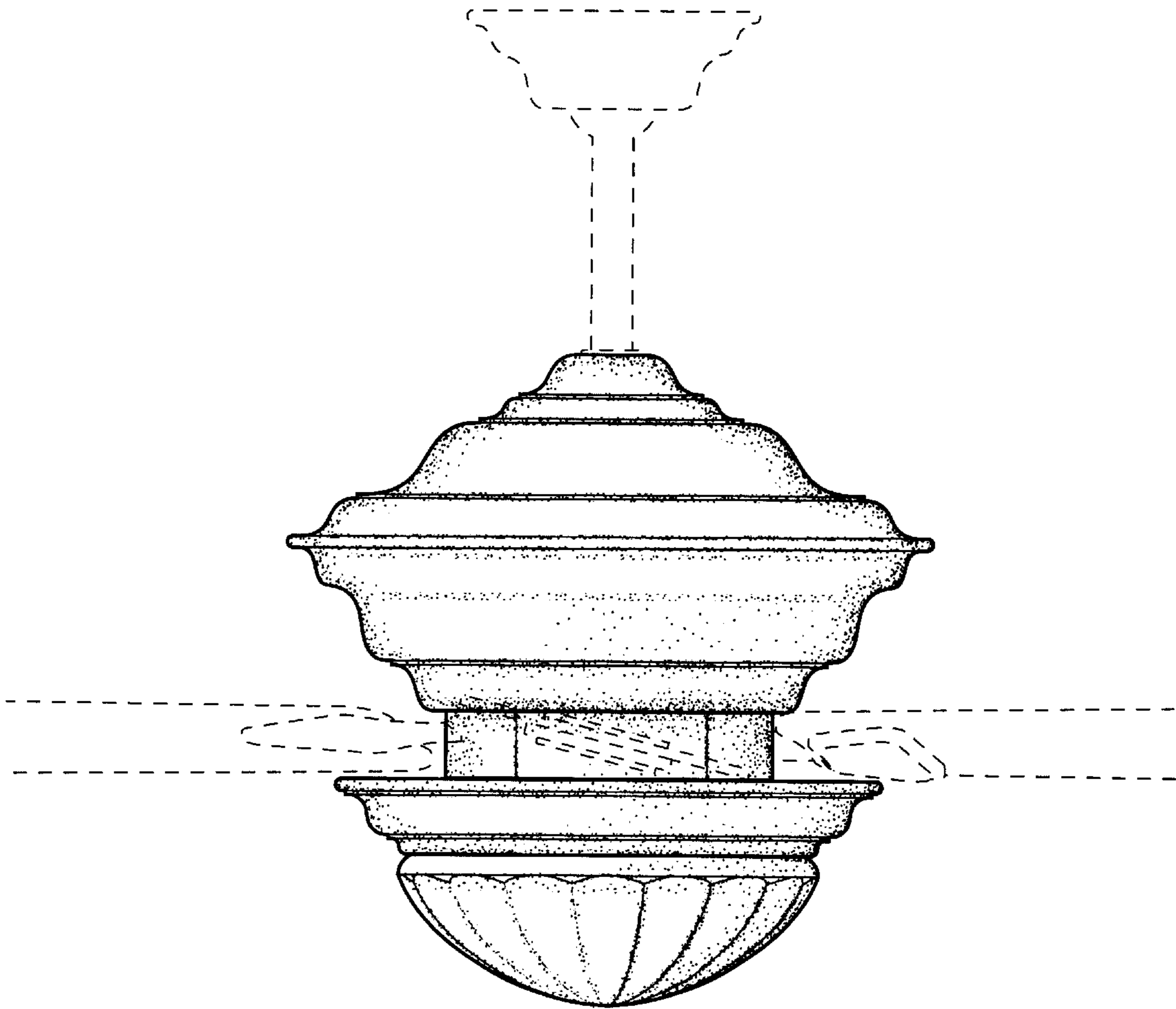


FIG. 2

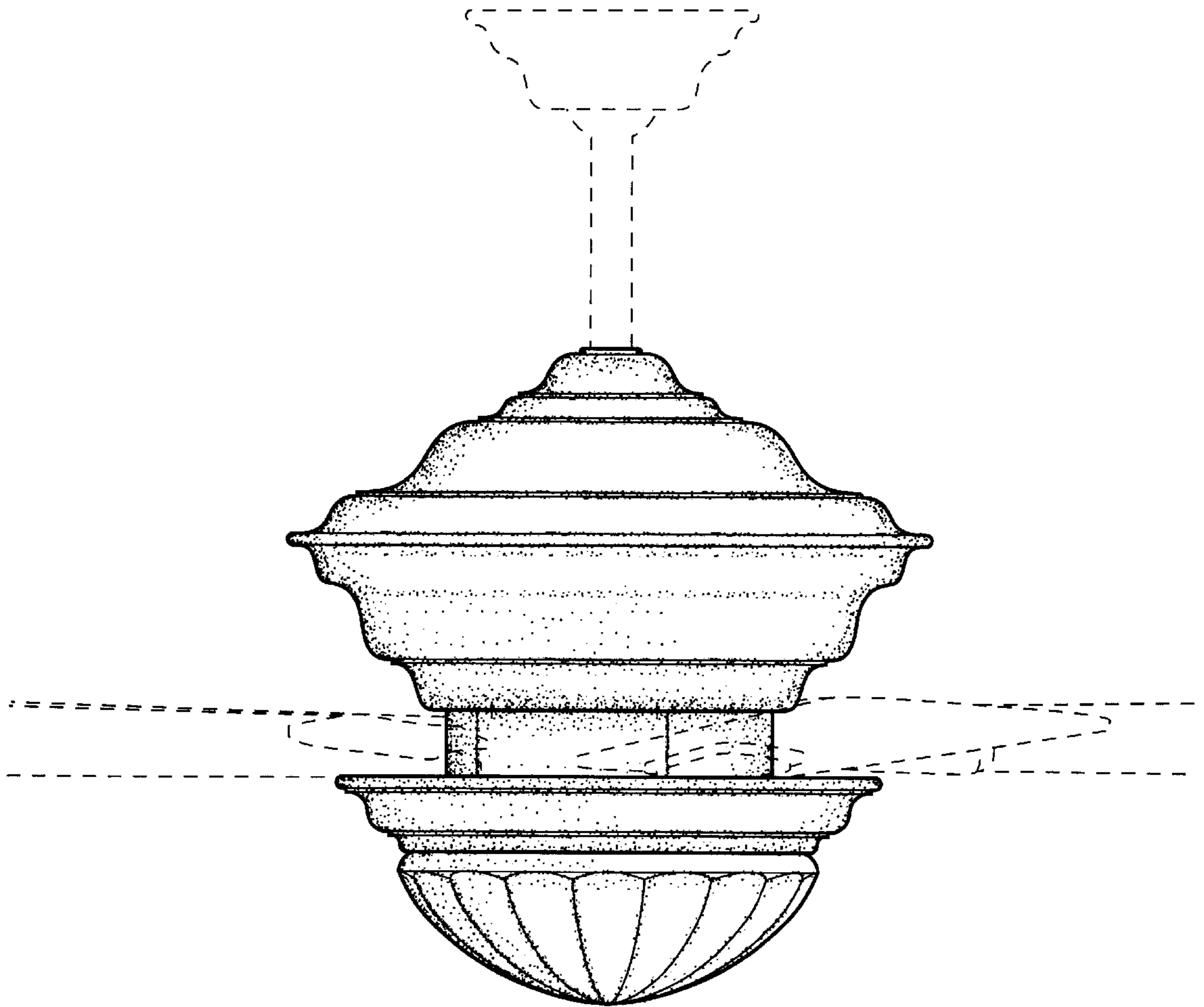


FIG. 3

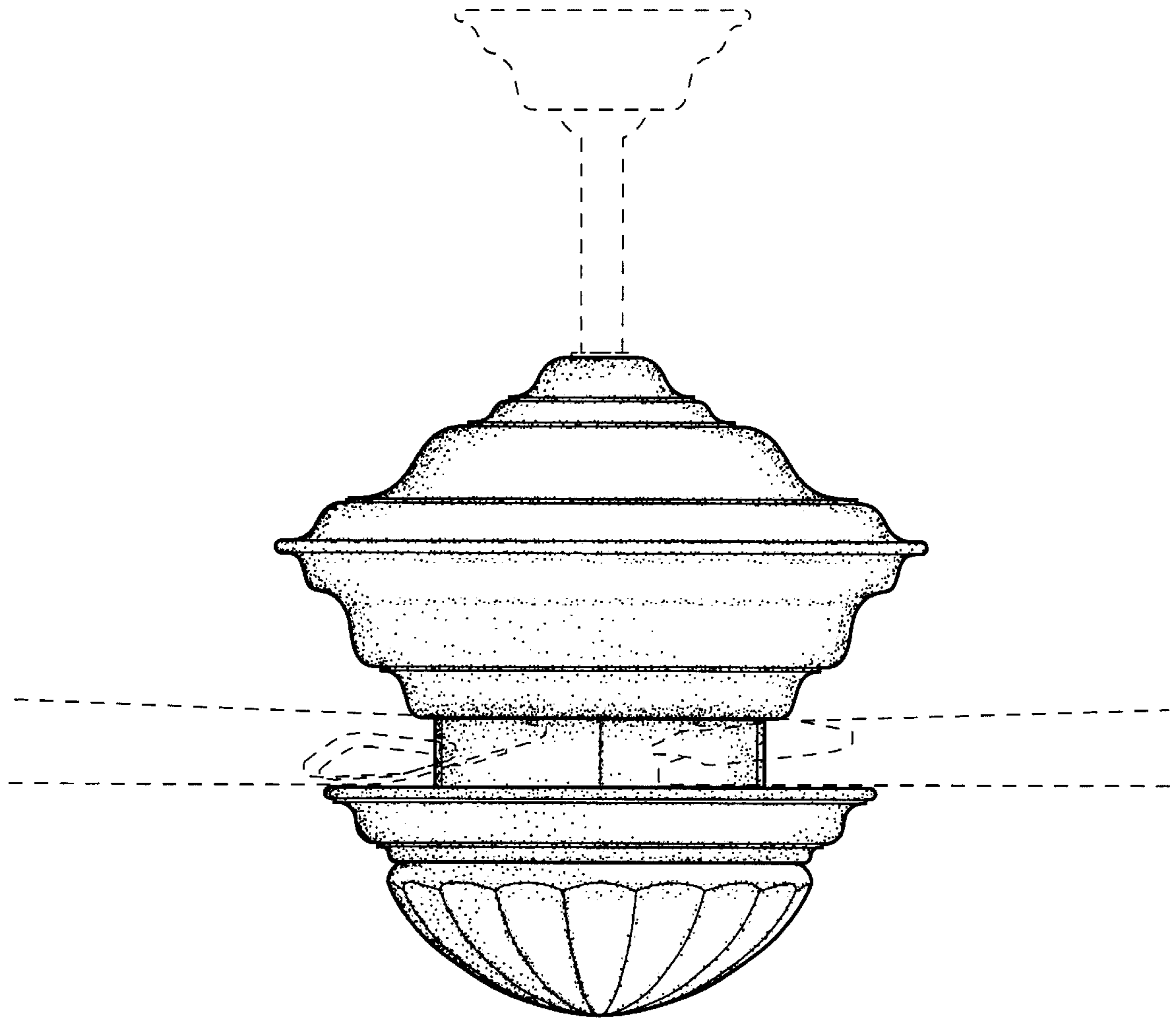


FIG. 4

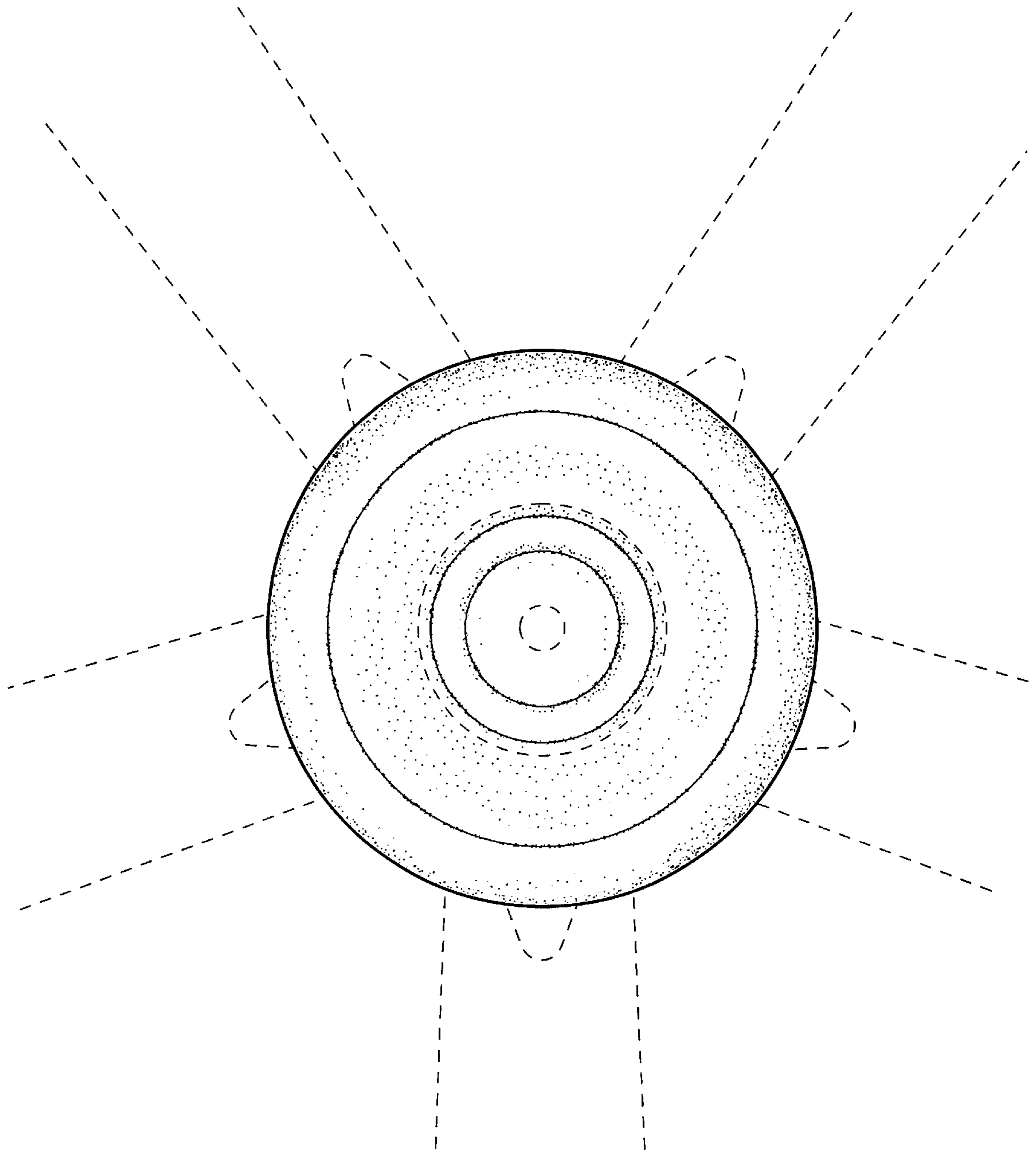


FIG. 5

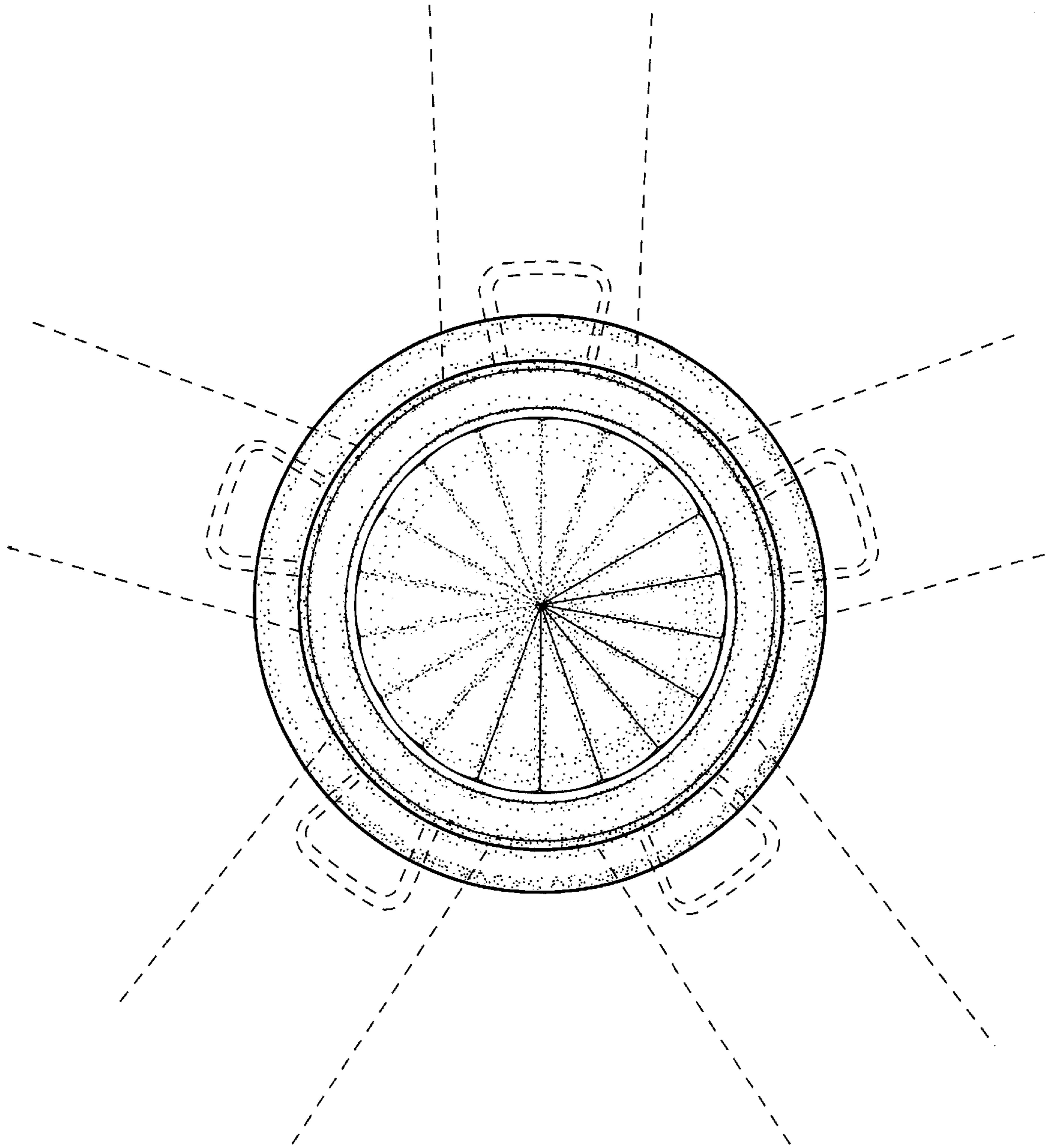


FIG. 6