



US00D452306B1

(12) **United States Design Patent**  
**Jaspers-Fayer**

(10) **Patent No.:** **US D452,306 S**

(45) **Date of Patent:** **\*\* Dec. 18, 2001**

(54) **COMBINED CEILING FAN MOTOR HOUSING AND BLADE IRONS UNIT**

D. 352,997 \* 11/1994 DiPasquale ..... D23/411

\* cited by examiner

(75) Inventor: **Jan Jaspers-Fayer**, Idyllwild, CA (US)

*Primary Examiner*—Lisa Lichtenstein

(73) Assignee: **Minka Lighting, Inc.**, Corona, CA (US)

(74) *Attorney, Agent, or Firm*—Jenkins & Gilchrist, P.C.

(\*\*) Term: **14 Years**

(57) **CLAIM**

(21) Appl. No.: **29/051,011**

The ornamental design for a combined ceiling fan motor housing and blade irons unit, as shown and described.

(22) Filed: **Mar. 1, 1996**

**DESCRIPTION**

**Related U.S. Application Data**

(60) Continuation of application No. 29/027,366, filed on Aug. 19, 1994, now abandoned, which is a division of application No. 29/017,919, filed on Jan. 25, 1994, now abandoned.

FIG. 1 is a bottom view of a combined ceiling fan motor housing and blade irons unit showing our new design;

(51) **LOC (7) Cl.** ..... **23-04**

(52) **U.S. Cl.** ..... **D23/411**

FIG. 2 is a side view thereof, the other sides being substantially identical except for the pull cord and the upper rectangular projection; and,

(58) **Field of Search** ..... D23/411, 377, D23/379, 385; 416/5

FIG. 3 is a top view thereof.

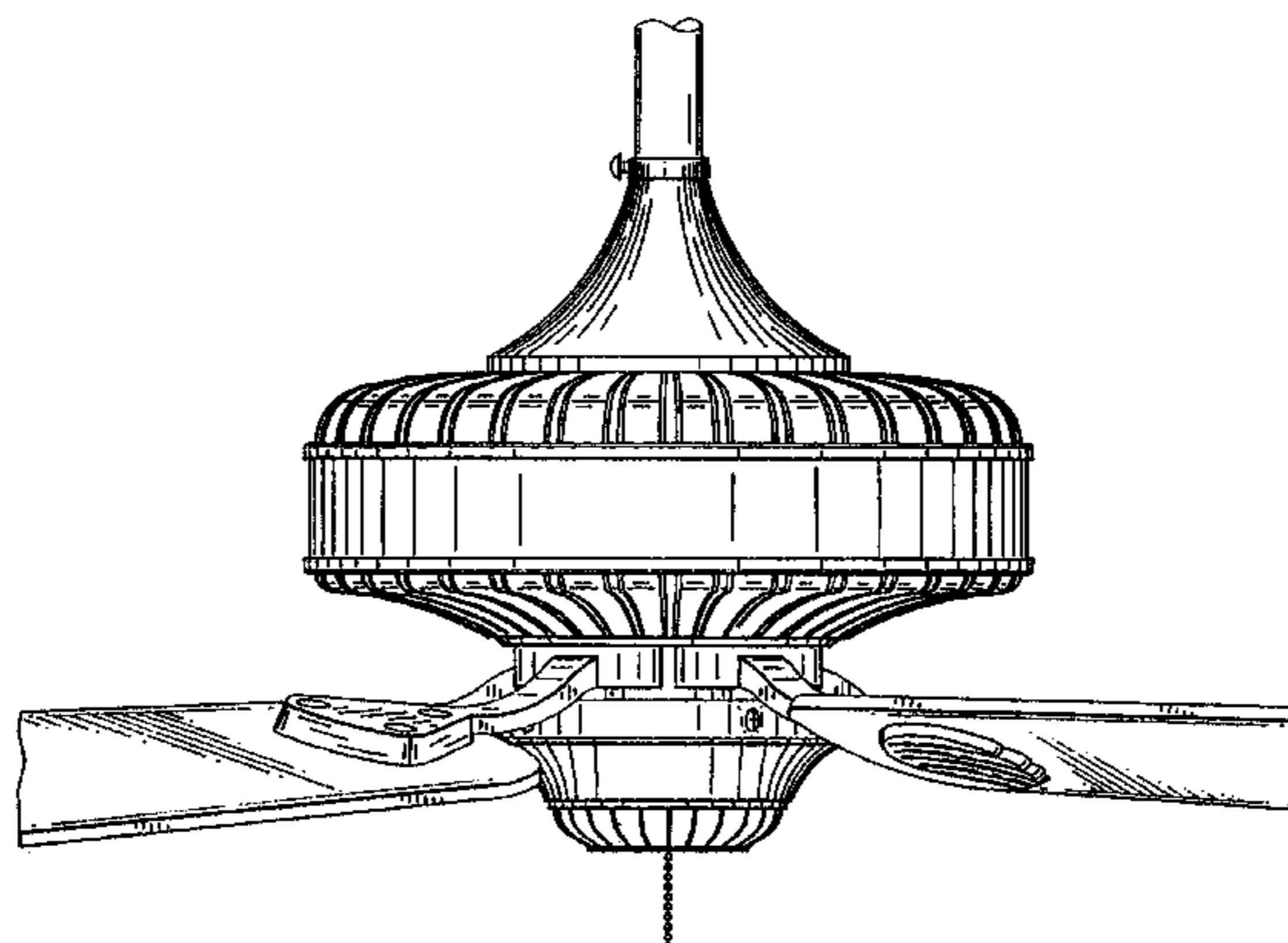
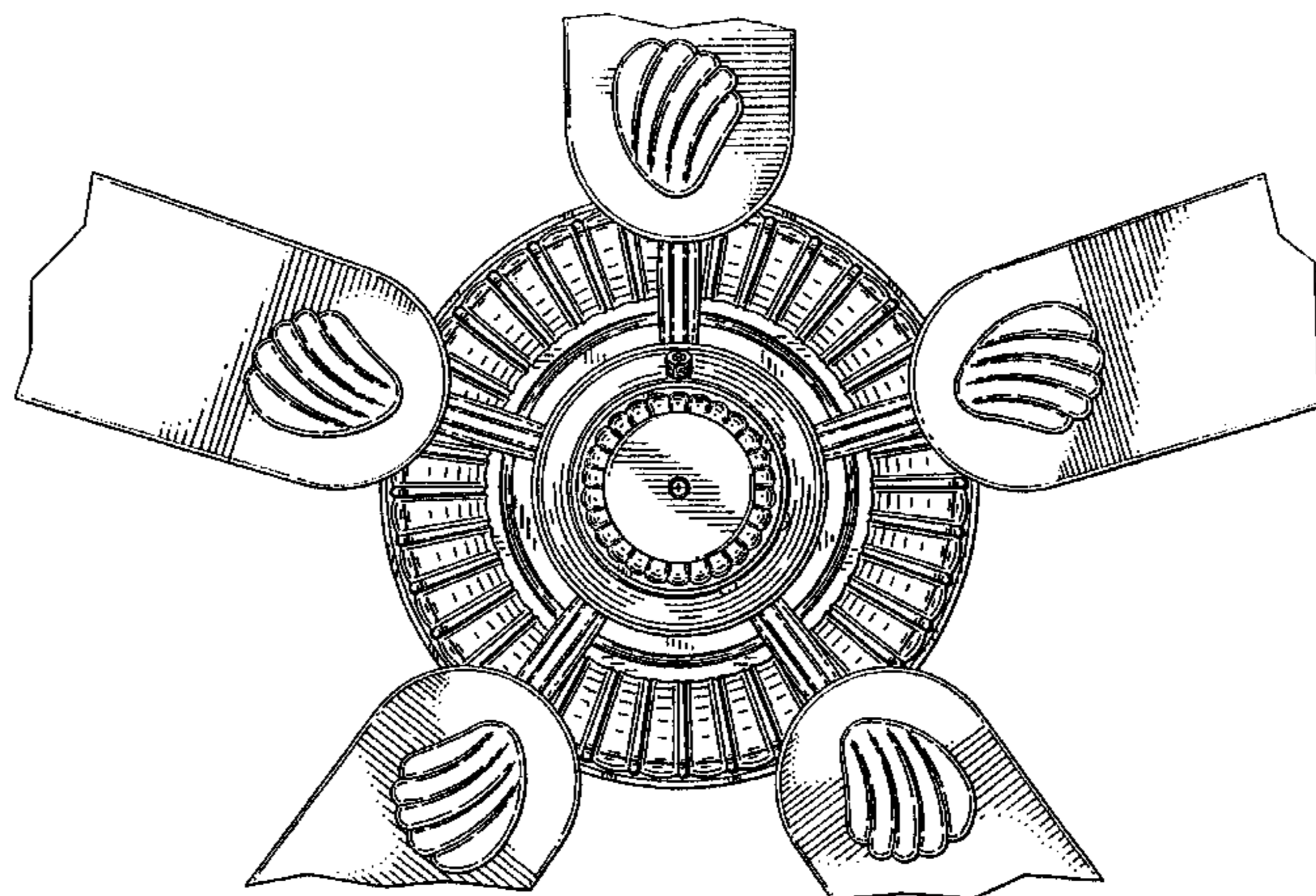
The support rod has been shown broken away and the fan blades have been shown broken away to indicate indeterminate lengths.

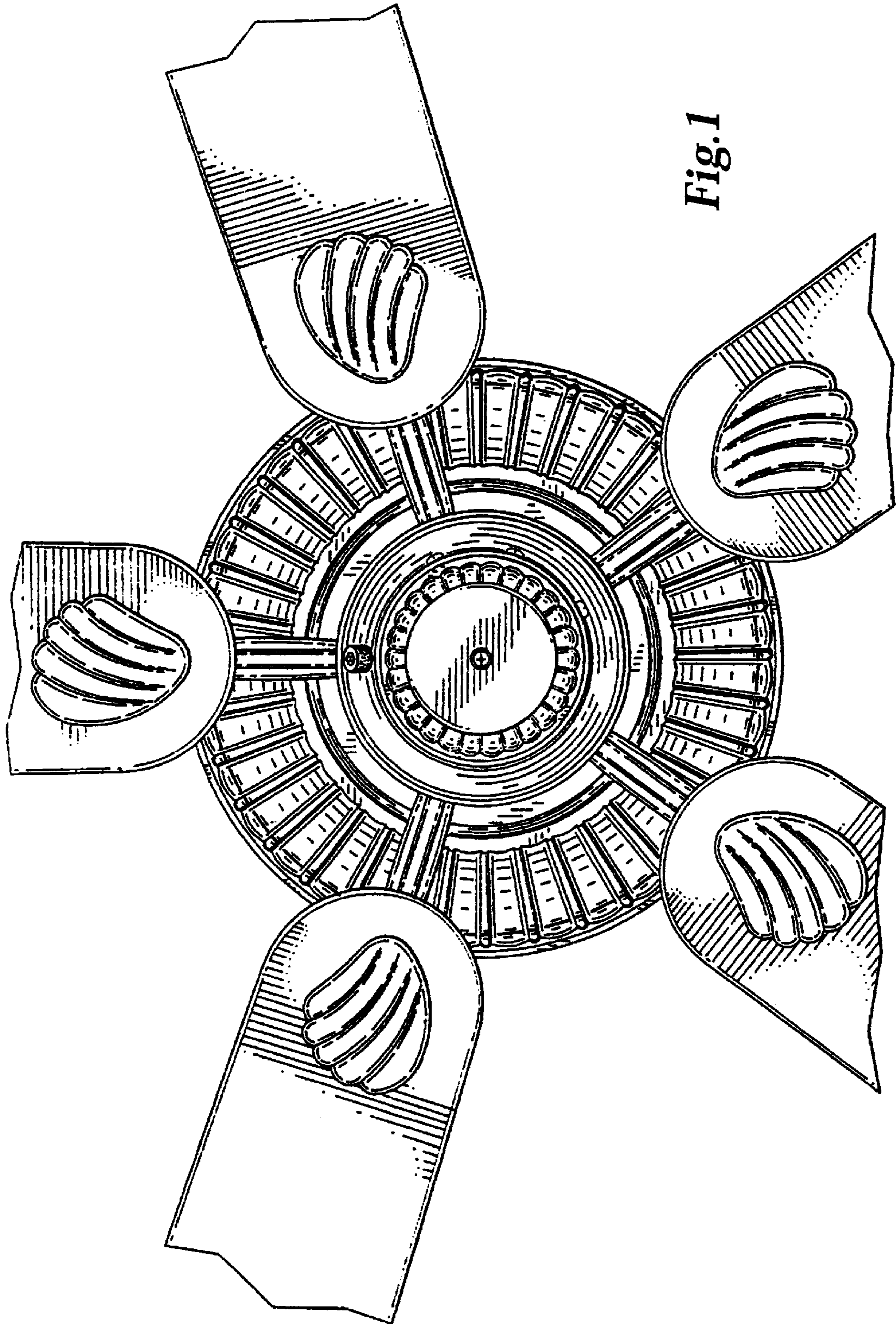
(56) **References Cited**

**U.S. PATENT DOCUMENTS**

D. 346,859 \* 5/1994 DiPasquale ..... D23/411

**1 Claim, 3 Drawing Sheets**







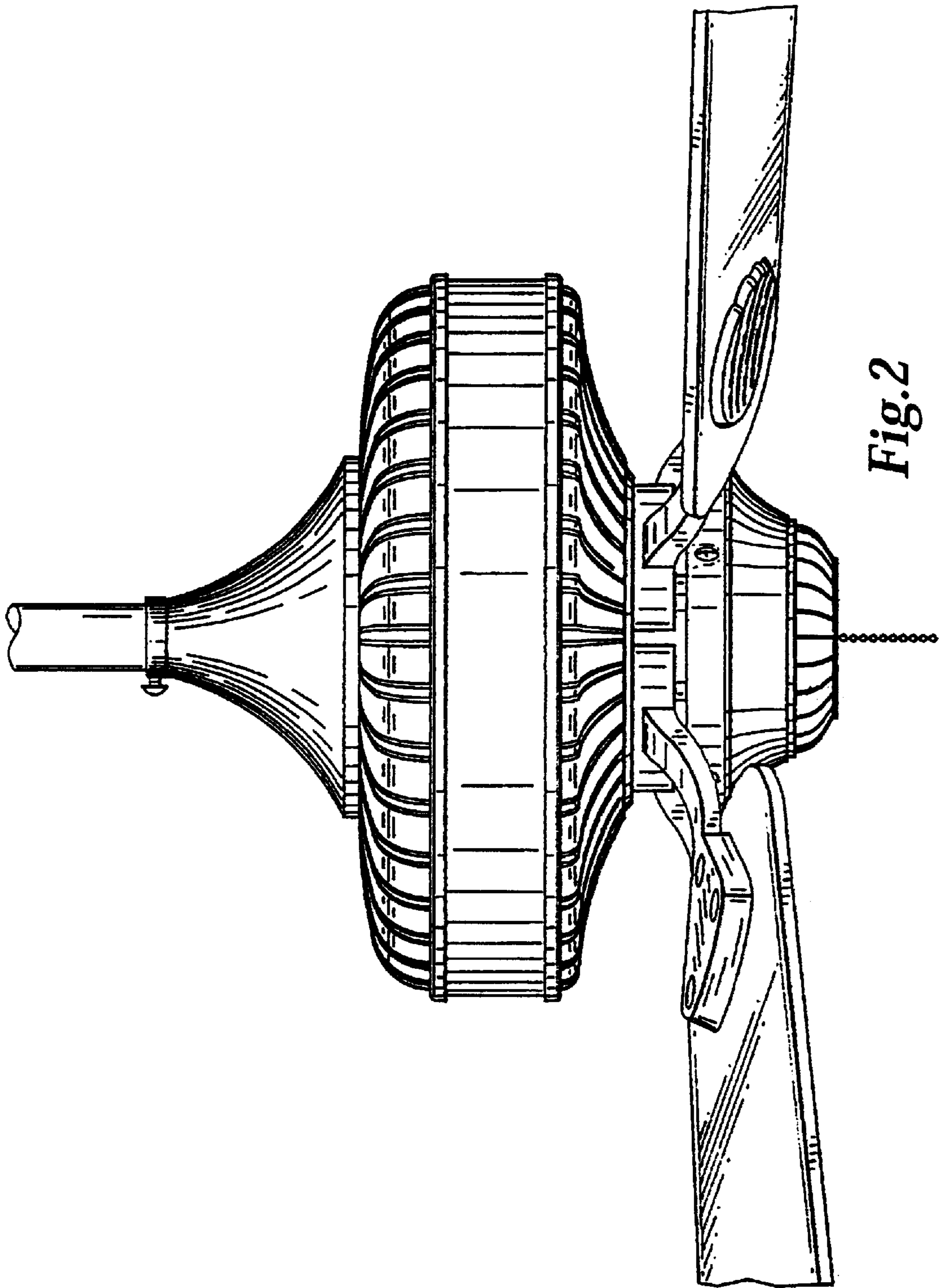


Fig. 2

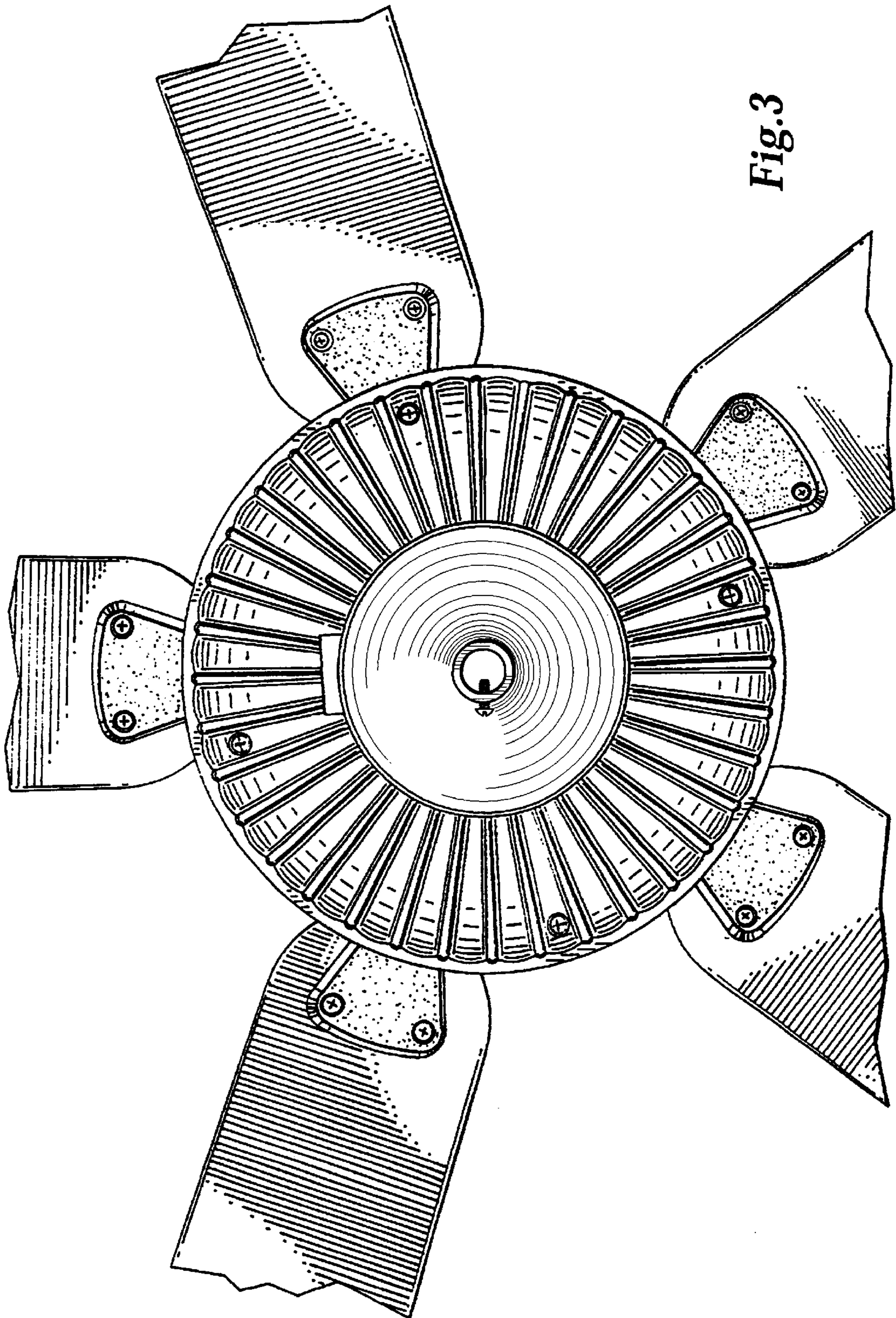


Fig.3