



US00D452302B1

(12) **United States Design Patent**  
**Hagen**

(10) **Patent No.:** **US D452,302 S**

(45) **Date of Patent:** **\*\* Dec. 18, 2001**

(54) **AIR FILTER**

(75) **Inventor:** **R. Sean Hagen**, Winter Park, FL (US)

(73) **Assignee:** **Dart Industries Inc.**, Orlando, FL (US)

(\*\*) **Term:** **14 Years**

(21) **Appl. No.:** **29/118,590**

(22) **Filed:** **Feb. 14, 2000**

(51) **LOC (7) Cl.** ..... **23-04**

(52) **U.S. Cl.** ..... **D23/365**

(58) **Field of Search** ..... D23/365, 364;  
96/97; 55/472; 422/120

D. 382,635 8/1997 Jane et al. .  
D. 384,140 9/1997 Jane' et al. .  
D. 395,492 6/1998 Phhillips et al. .  
D. 402,745 12/1998 Termeer et al. .  
D. 402,746 12/1998 Clark et al. .  
D. 420,439 \* 2/2000 Ediger et al. .... D23/365

\* cited by examiner

*Primary Examiner*—Lisa Lichtenstein

(74) *Attorney, Agent, or Firm*—John A. Doninger; Taylor J. Ross

(57) **CLAIM**

The ornamental design for an air filter, as shown and described.

(56) **References Cited**

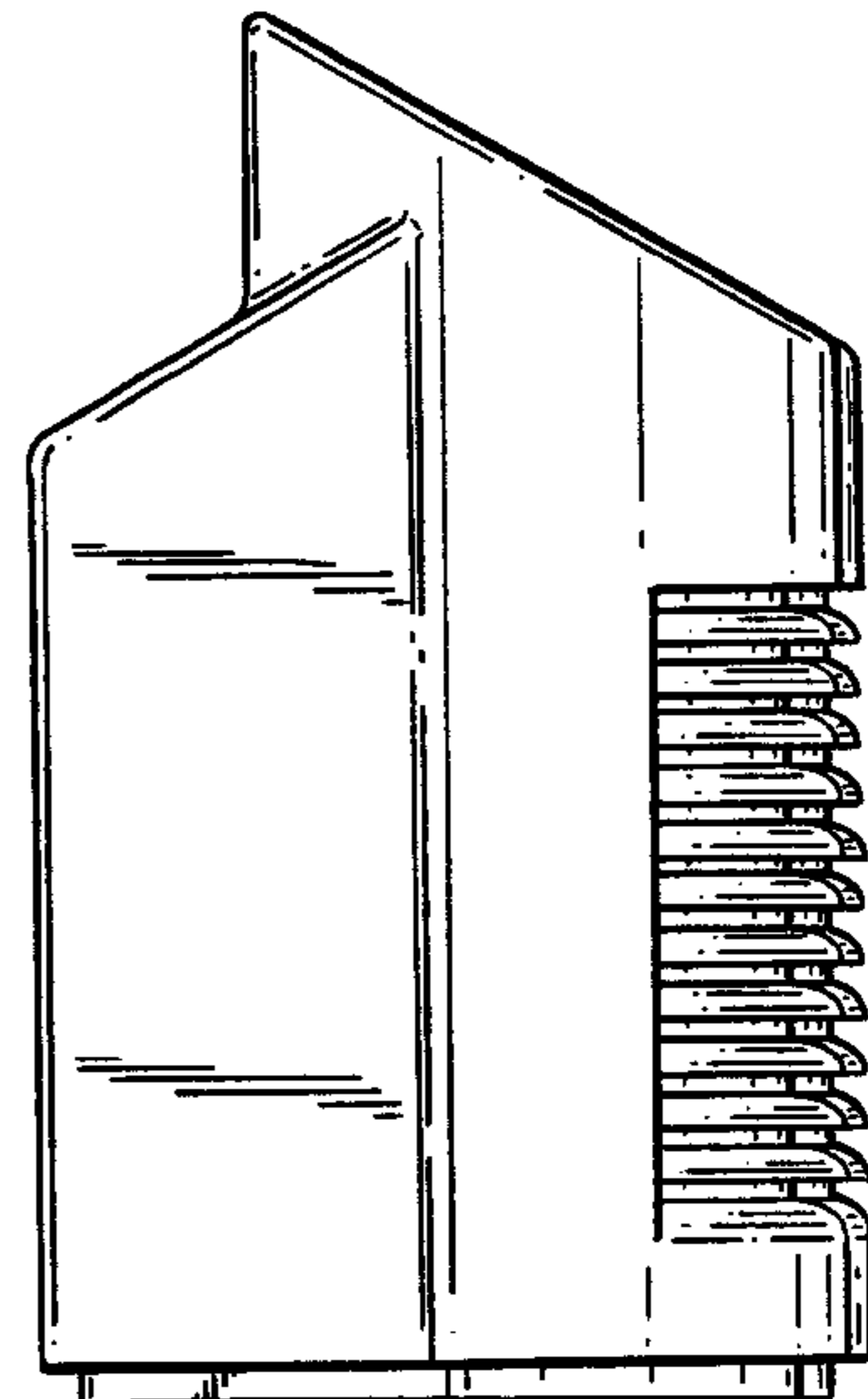
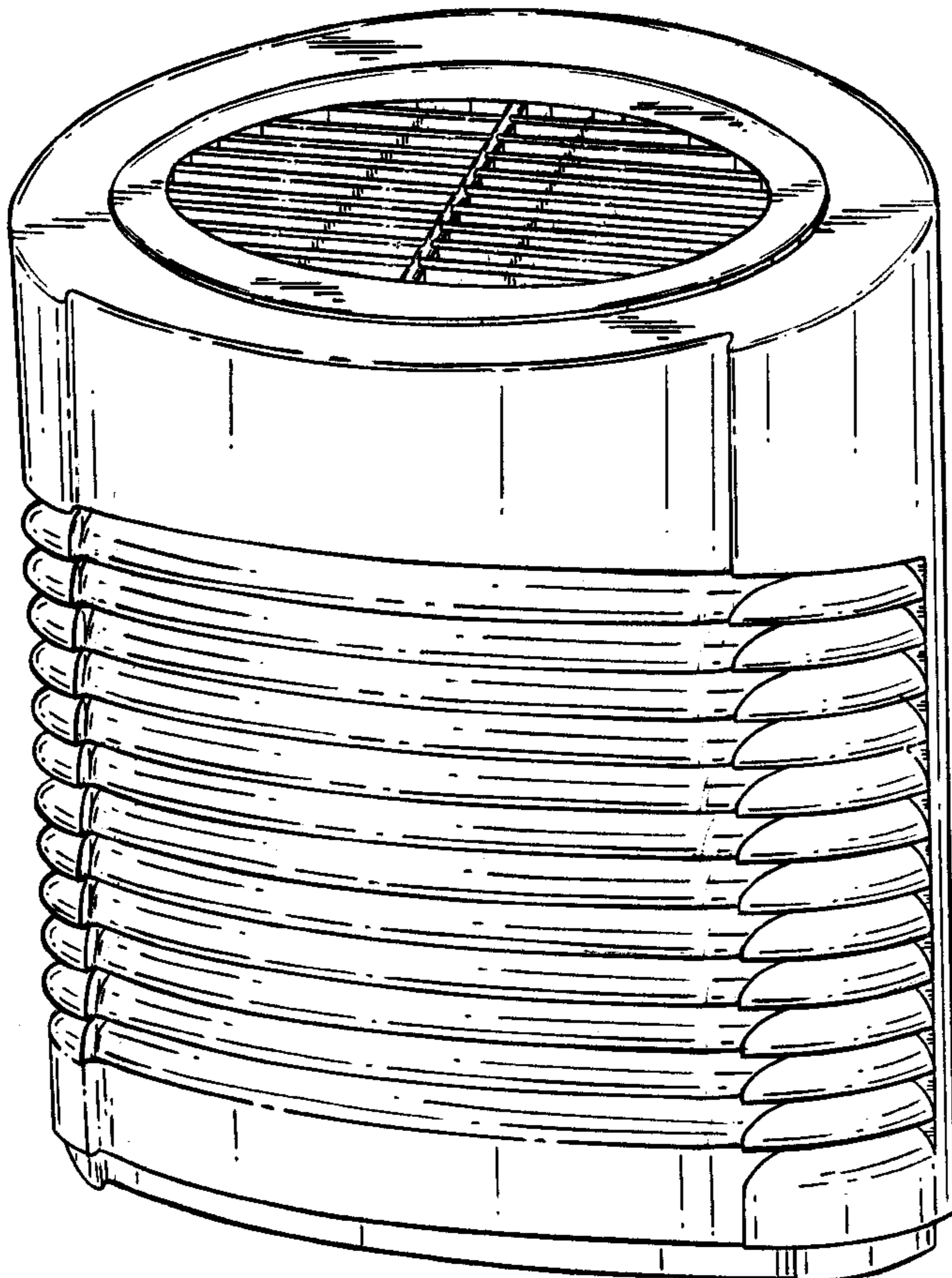
**U.S. PATENT DOCUMENTS**

D. 266,585	10/1982	Rakoey et al. .
D. 275,317	8/1984	Beck .
D. 358,461	5/1995	Barker et al. .
D. 361,374	8/1995	Muller .
D. 362,296	9/1995	Schmidt .
D. 371,192	6/1996	Putro .
D. 374,921	10/1996	Jané et al. .
D. 375,546	11/1996	Lee .
D. 376,419	12/1996	Seaman et al. .
D. 377,523	1/1997	Marvin et al. .

**DESCRIPTION**

FIG. 1 is a top and front perspective view of an air filter showing my new design;  
FIG. 2 is a rear elevation view thereof;  
FIG. 3 is a front elevation view thereof;  
FIG. 4 is a right side elevation view thereof;  
FIG. 5 is a left side elevation view thereof;  
FIG. 6 is a bottom plan view thereof; and,  
FIG. 7 is a top plan view thereof.

**1 Claim, 4 Drawing Sheets**



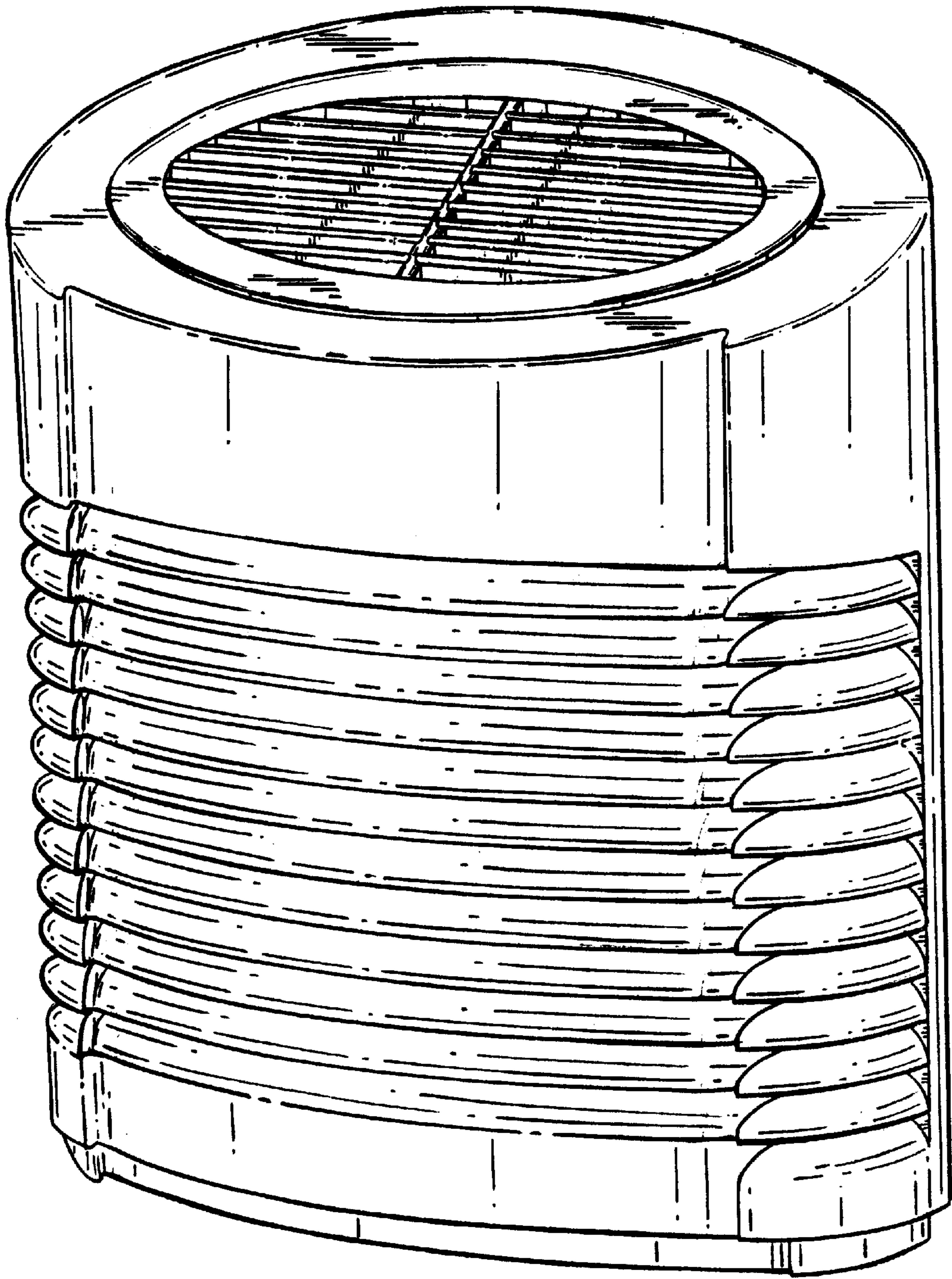


FIG. 1

FIG. 3

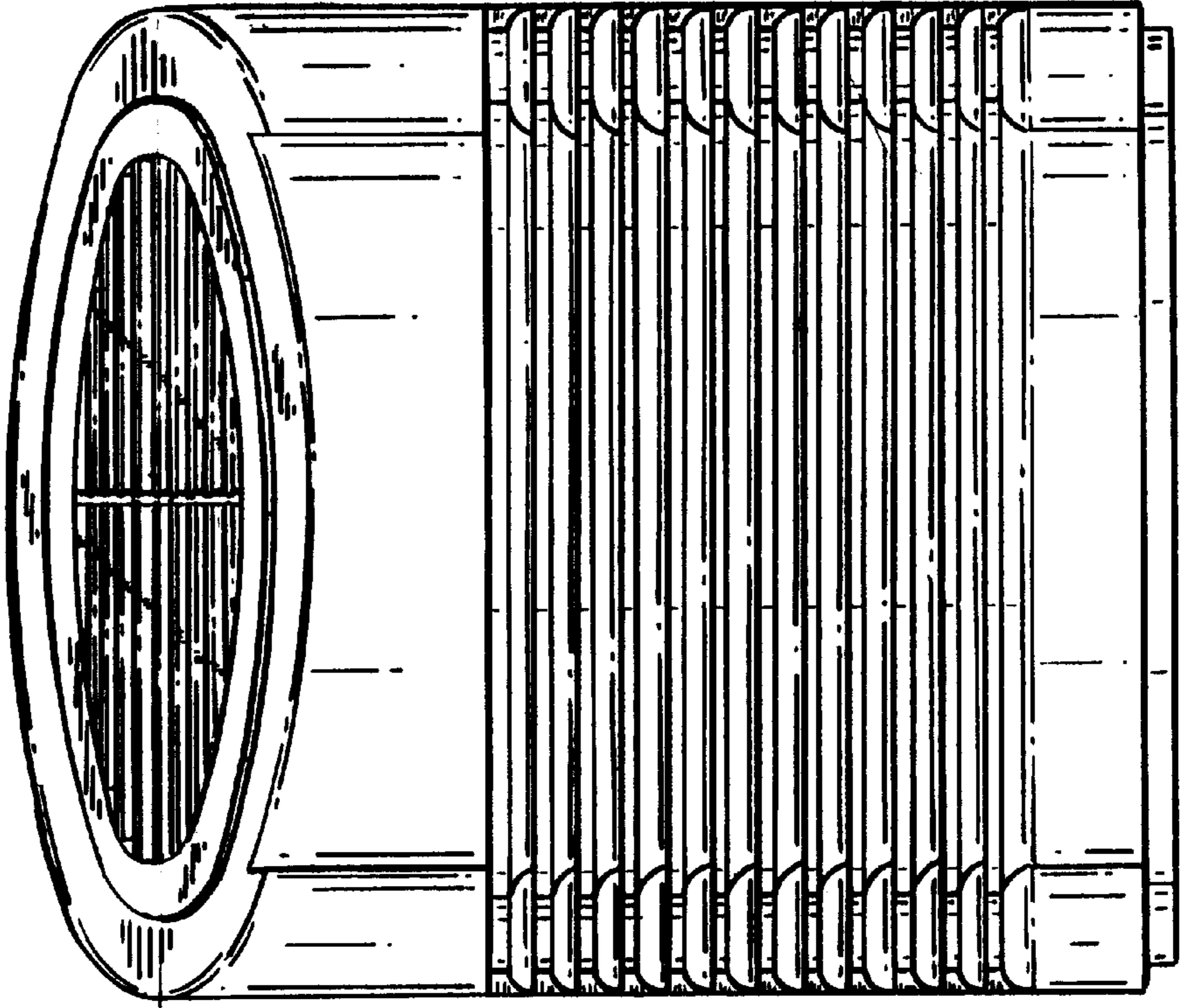


FIG. 2

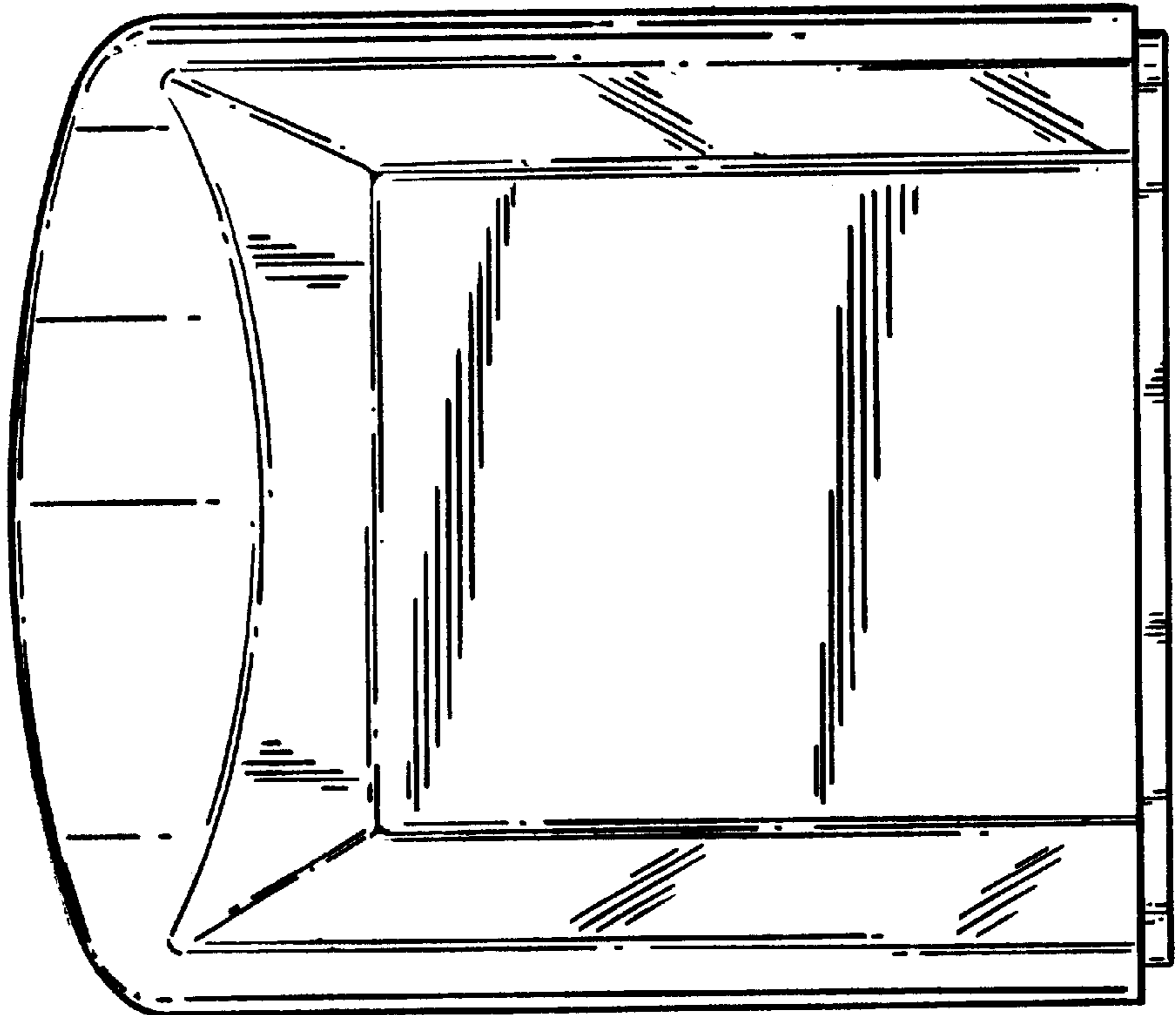


FIG. 5

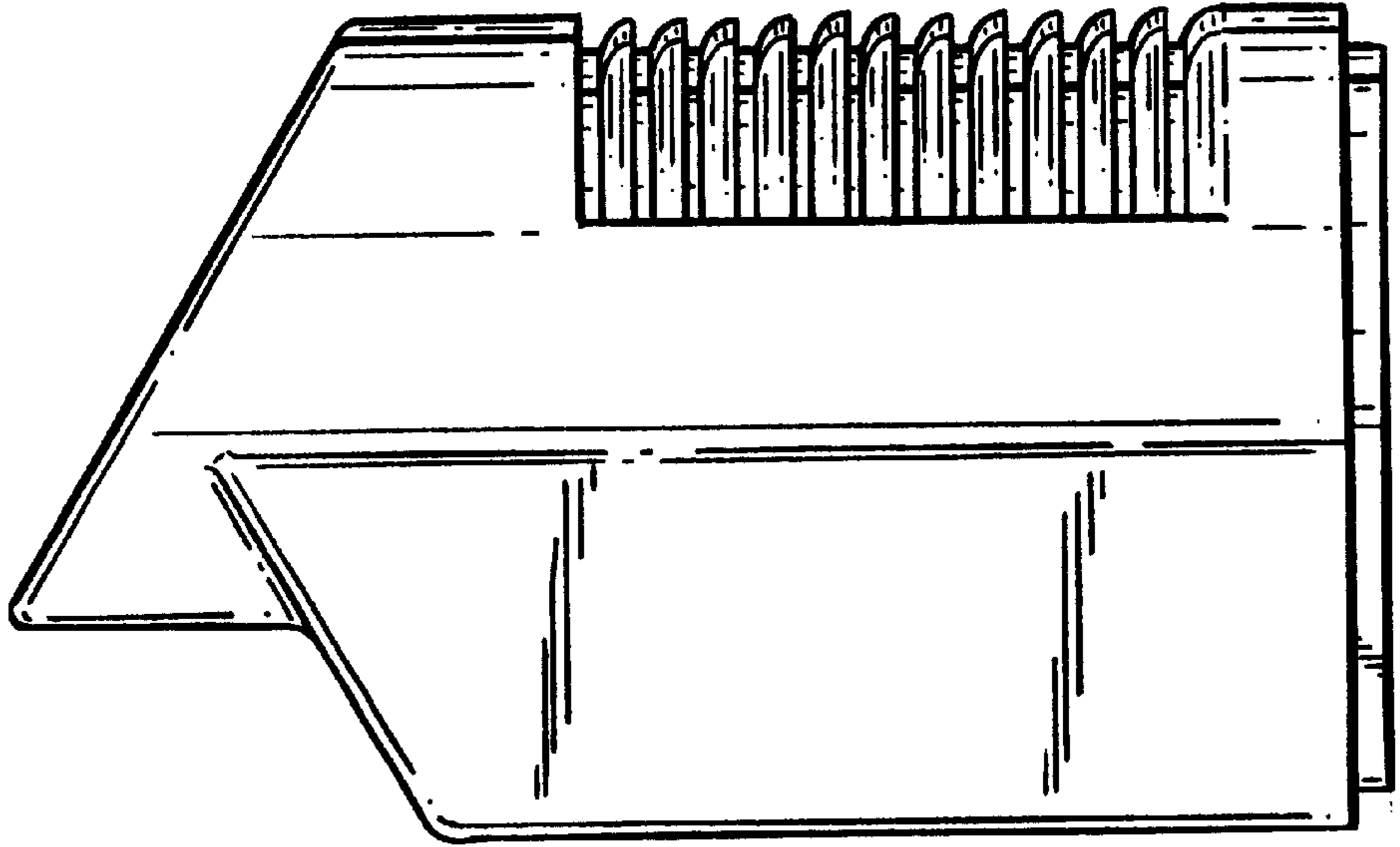


FIG. 4

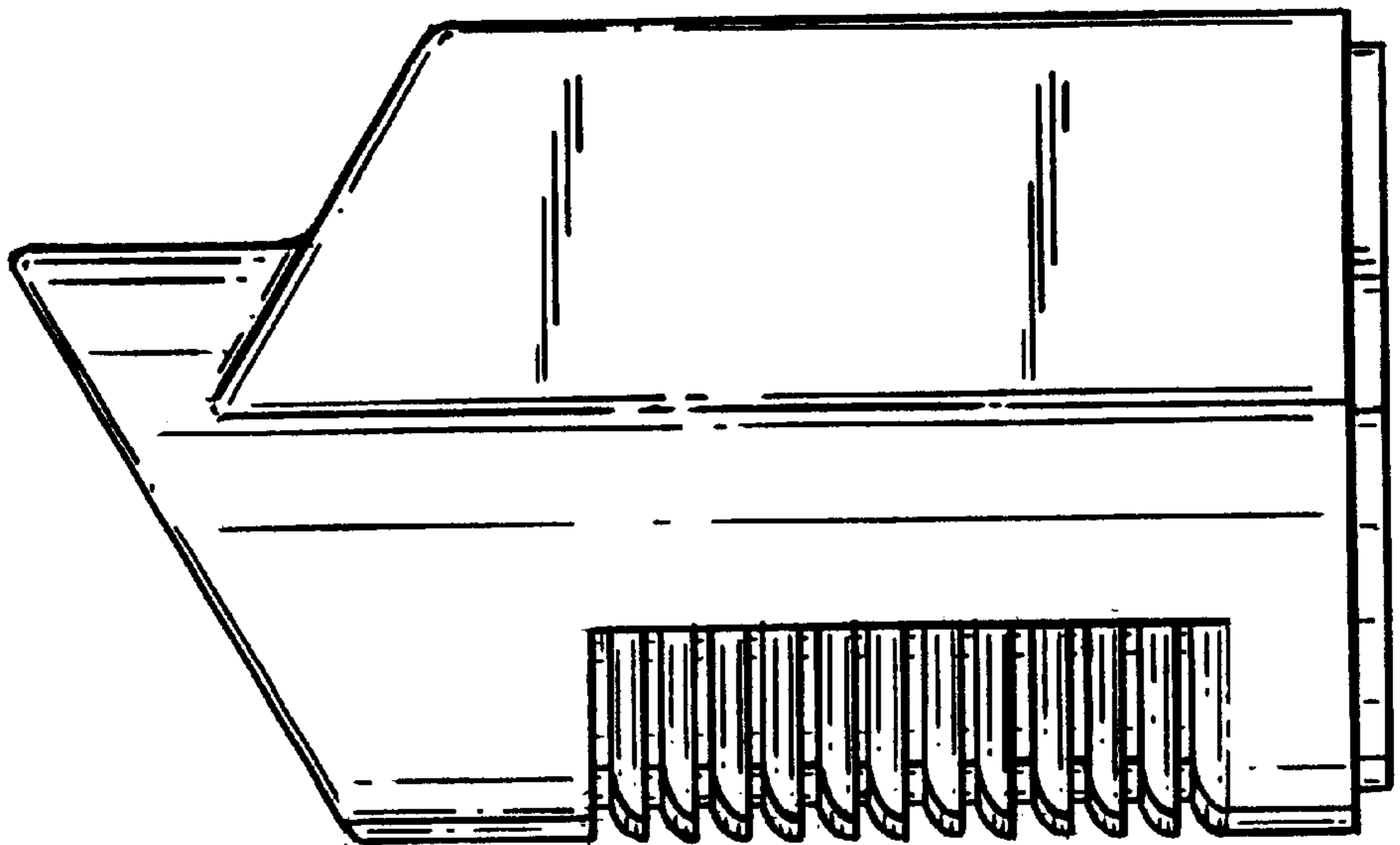


FIG. 7

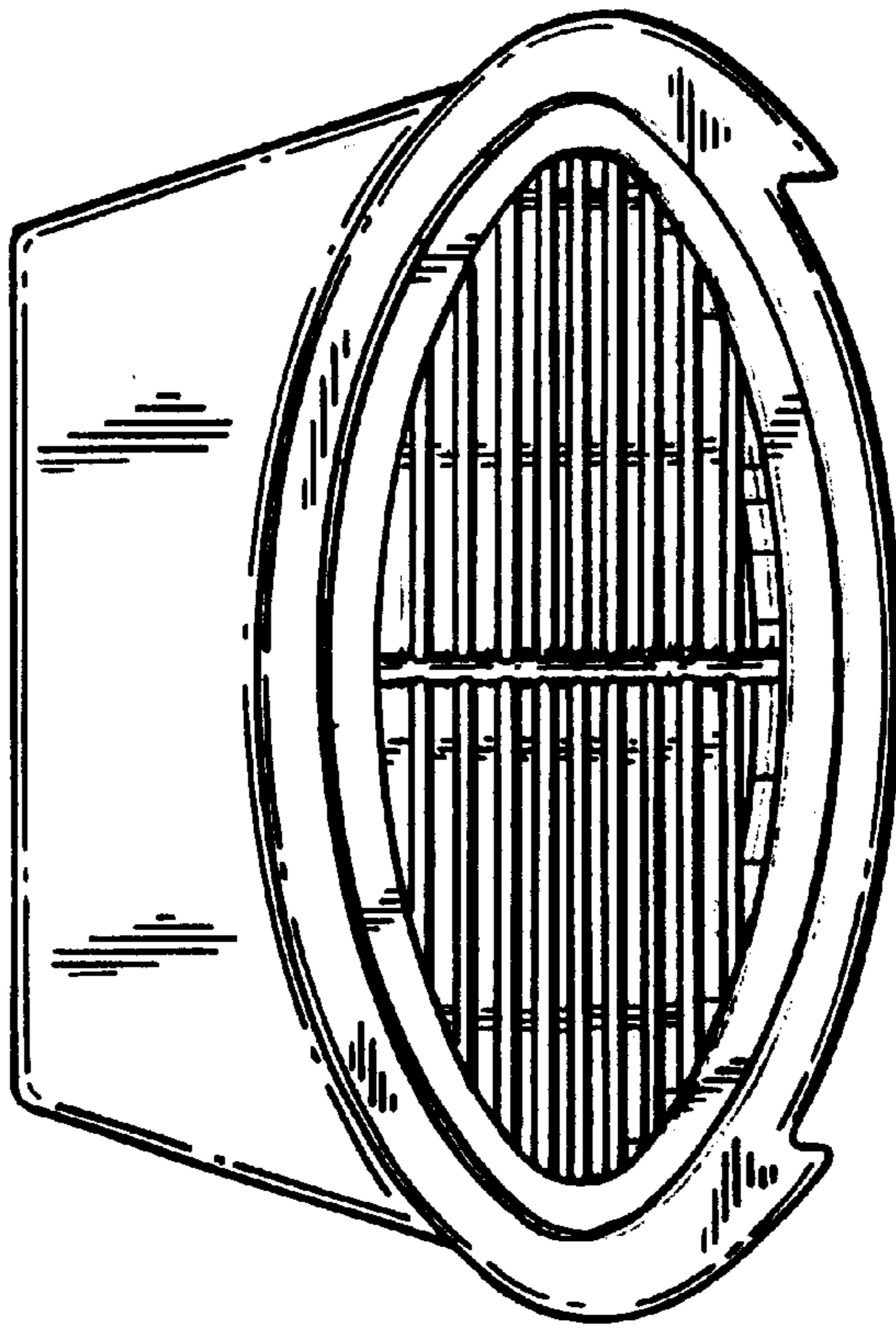


FIG. 6

