



US00D452301B1

(12) **United States Design Patent**
Schwartz et al.

(10) **Patent No.:** **US D452,301 S**

(45) **Date of Patent:** **** Dec. 18, 2001**

(54) **COMBINATION UNIT FOR HEATING,
LIGHTING AND DEBUGGING AN AREA**

(76) Inventors: **Daniel Schwartz**, 387 Huron #3,
Cambridge, MA (US) 02138; **Sam
Tsao**, Room 101, Shiu Fung Hong
Building, 239-241 Wing Lok Street,
Sheung Wan (HK); **John Schwartz**,
196 Solana Point Cir., Solana Beach,
CA (US) 92075

(**) Term: **14 Years**

(21) Appl. No.: **29/140,206**

(22) Filed: **Apr. 13, 2001**

(51) **LOC (7) Cl.** **23-03**

(52) **U.S. Cl.** **D23/328; D23/332; D23/342;**
D26/51; D22/123

(58) **Field of Search** D23/328, 342,
D23/332; D26/51, 158, 119; 126/90 A,
92 A, 92 B, 92 AC; 43/112, 113, 109; D22/122,
123; 362/92, 217, 253

(56) **References Cited**

U.S. PATENT DOCUMENTS

D. 270,930 * 10/1983 Lee et al. .

D. 325,963 * 5/1992 Anderson .
D. 429,324 * 8/2000 Olson et al. .
3,934,572 * 1/1976 Teague, Jr. .
5,231,790 * 8/1993 Dryden et al. .
6,164,273 * 12/2000 Waters .
6,192,878 * 2/2001 Waters .

* cited by examiner

Primary Examiner—B. J. Bullock

(74) *Attorney, Agent, or Firm*—Nydegger & Associates

(57) **CLAIM**

The ornamental design for a combination unit for heating,
lighting and debugging an area, as shown.

DESCRIPTION

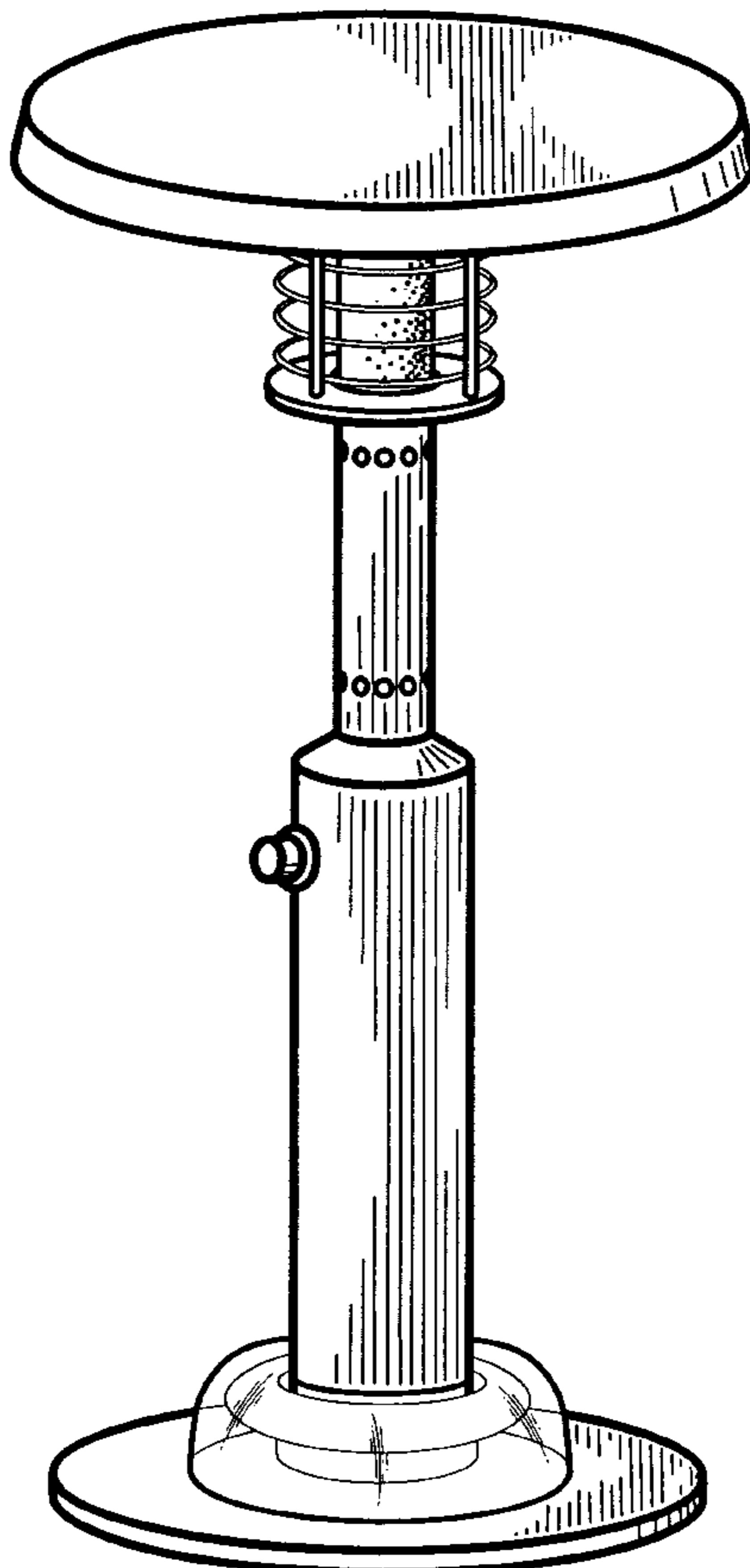
FIG. 1 is a perspective view of the combination device for
heating, lighting and debugging an area;

FIG. 2 is an elevation view thereof;

FIG. 3 is a top plan view thereof; and,

FIG. 4 is a bottom view thereof.

1 Claim, 3 Drawing Sheets



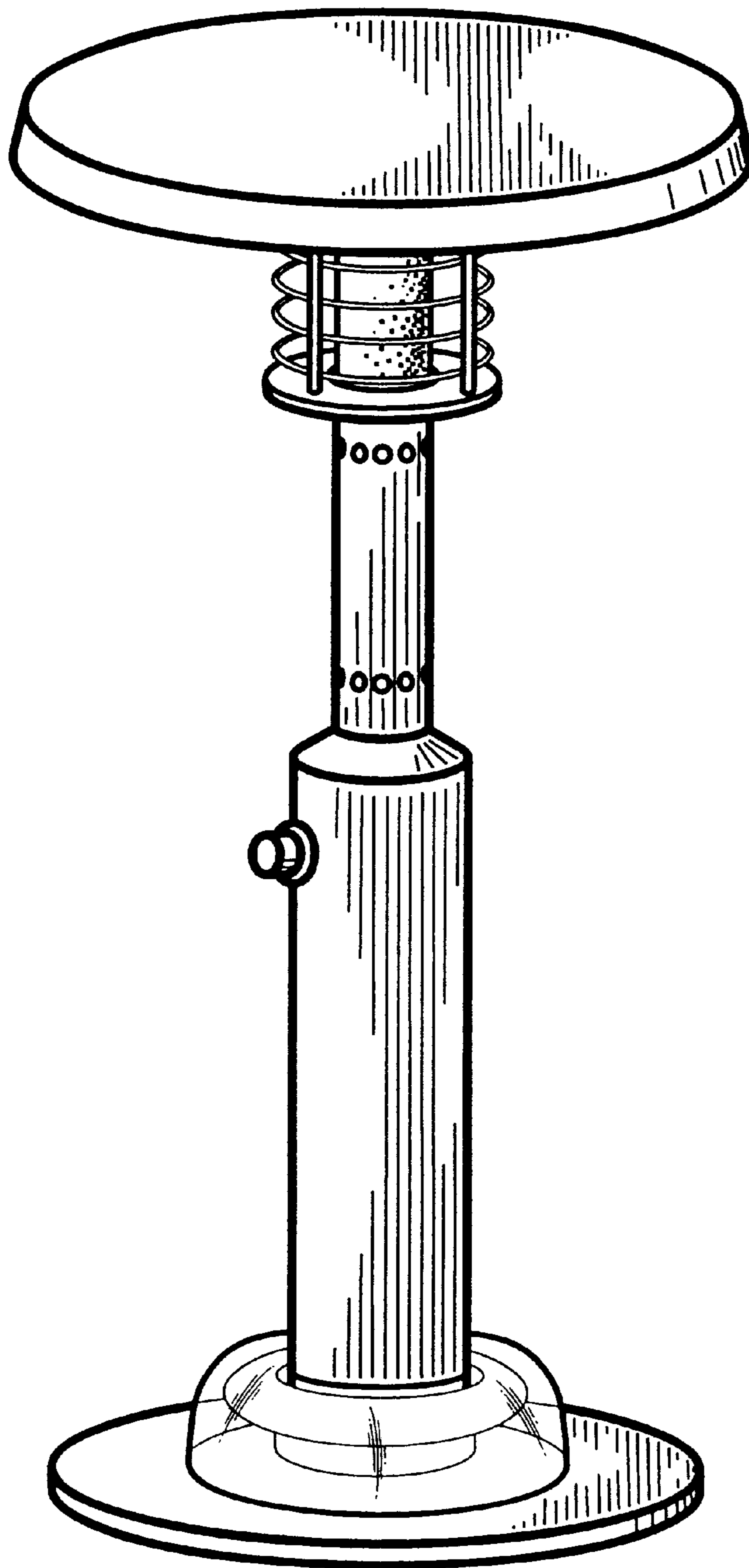


Figure 1

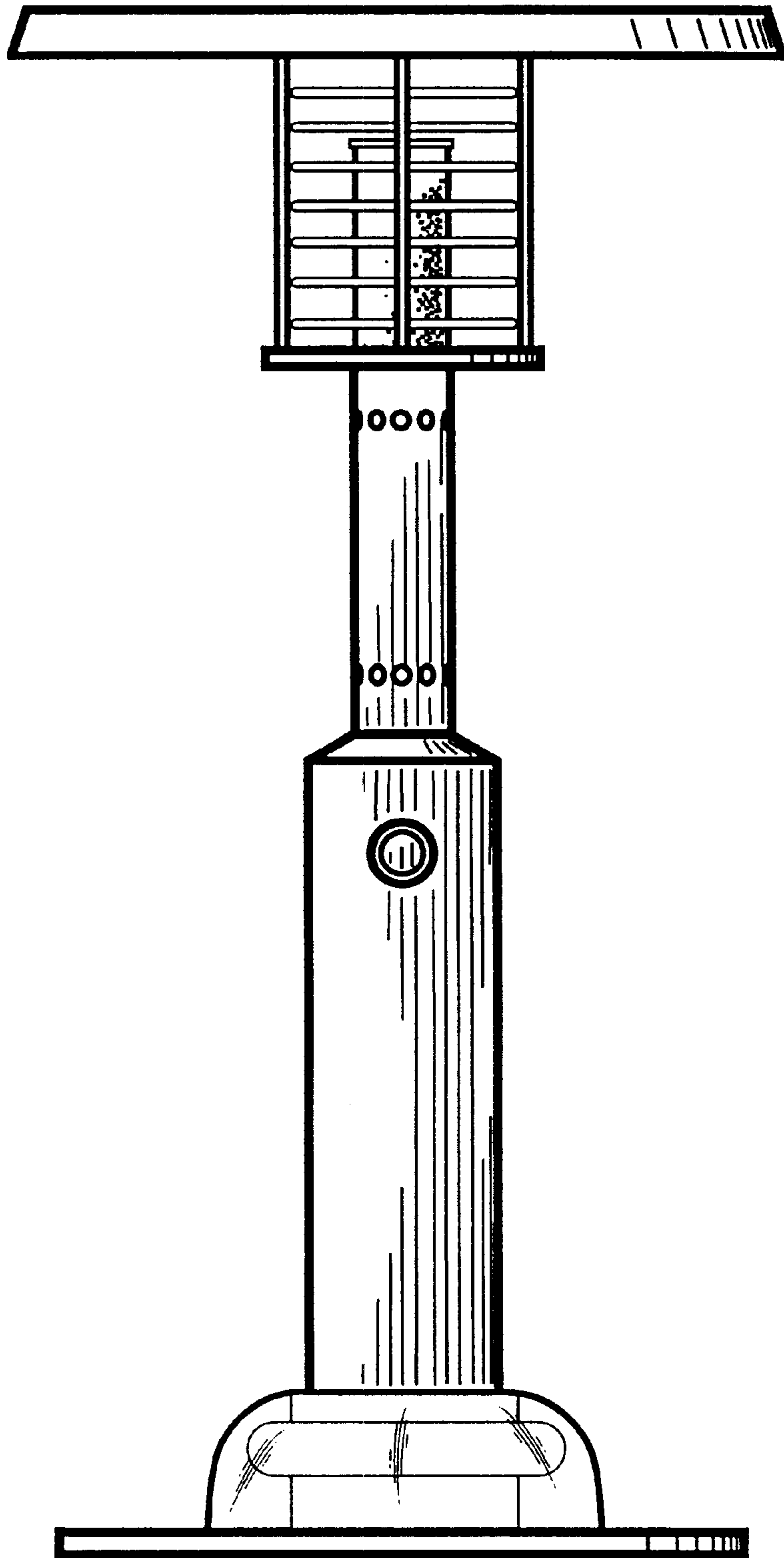


Figure 2

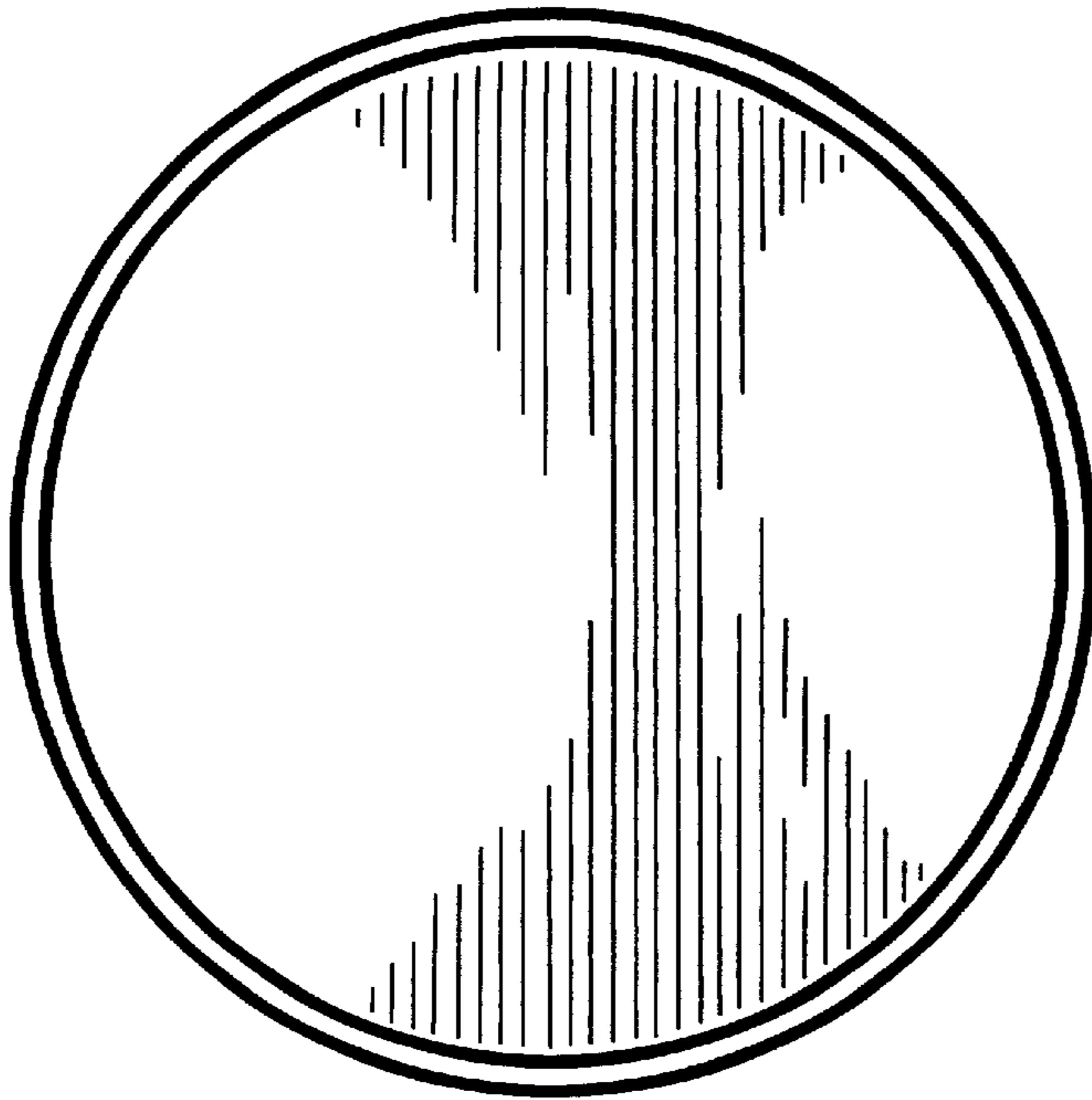


Figure 3

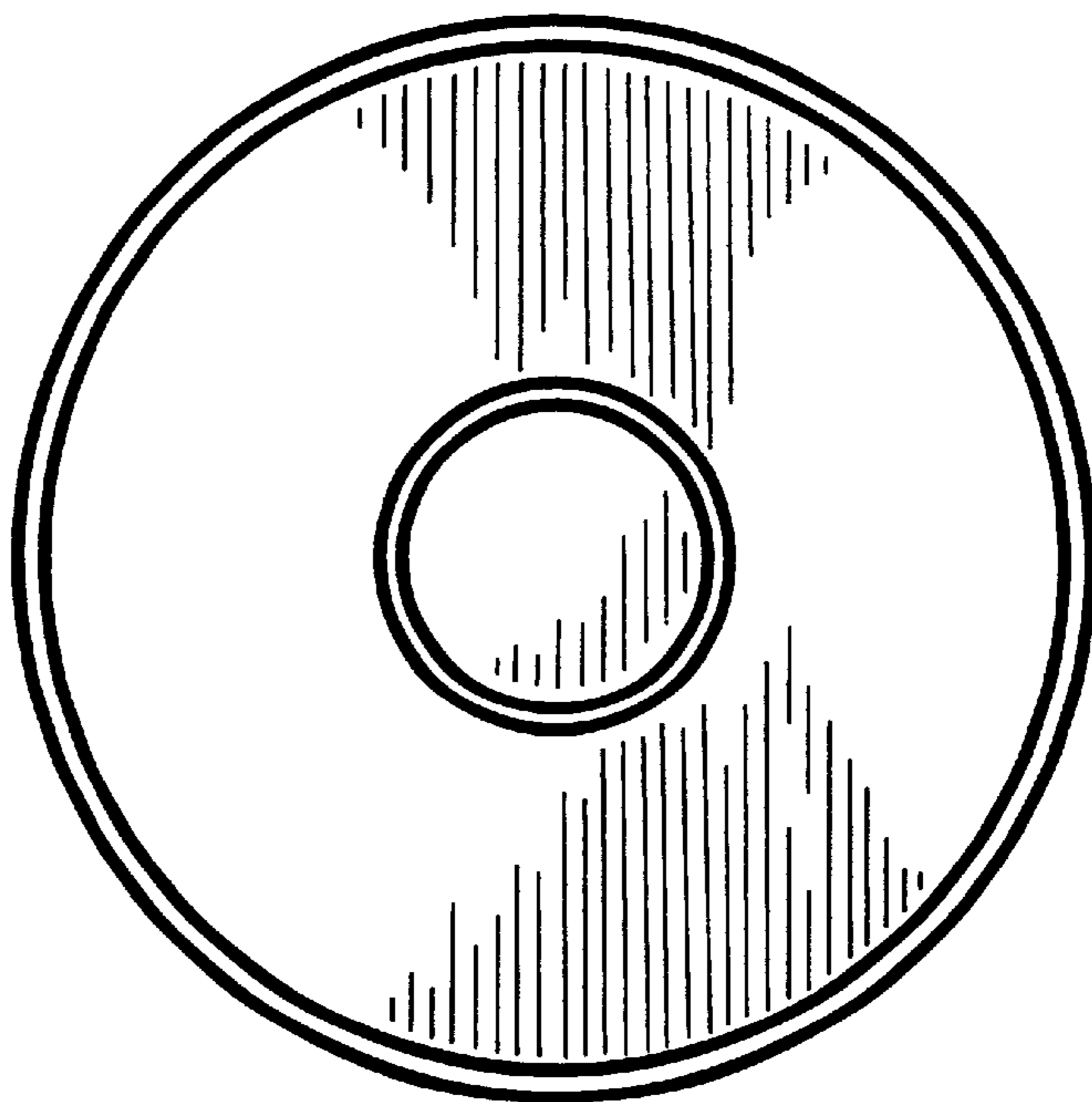


Figure 4