



US00D452299B1

(12) **United States Design Patent**
Aldred et al.

(10) **Patent No.:** **US D452,299 S**

(45) **Date of Patent:** **** Dec. 18, 2001**

(54) **THREADED COLLET ASSEMBLY**

(75) Inventors: **Jeff Aldred**, Boulder; **Brian Hunter**,
Nederland, both of CO (US)

(73) Assignee: **American Standard International
Inc.**, New York, NY (US)

(**) Term: **14 Years**

(21) Appl. No.: **29/121,389**

(22) Filed: **Apr. 5, 2000**

(51) **LOC (7) Cl.** **23-01**

(52) **U.S. Cl.** **D23/259; D15/140**

(58) **Field of Search** D23/259, 266;
285/249; D15/140; 279/43.1, 43.3, 46.3,
4.07

(56) **References Cited**

U.S. PATENT DOCUMENTS

D. 318,102 * 7/1991 Papai D23/266

D. 349,758 * 8/1994 Hallbach et al. D23/259
3,980,325 * 9/1976 Robertson 285/249
4,007,878 * 2/1977 Anderson 239/209

* cited by examiner

Primary Examiner—Robin V. Taylor

(57) **CLAIM**

The ornamental design for a threaded collet assembly, as shown and described.

DESCRIPTION

FIG. 1 is a top, right, perspective view of a threaded collet assembly showing our new design;
FIG. 2 is a bottom right perspective view thereof;
FIG. 3 is a left side, elevational view thereof with the right side elevational view being a mirror image thereof;
FIG. 4 is a front elevational view thereof with the rear elevational view being a mirror image thereof;
FIG. 5 is a top plan view thereof; and,
FIG. 6 is a bottom plan view thereof.

1 Claim, 4 Drawing Sheets

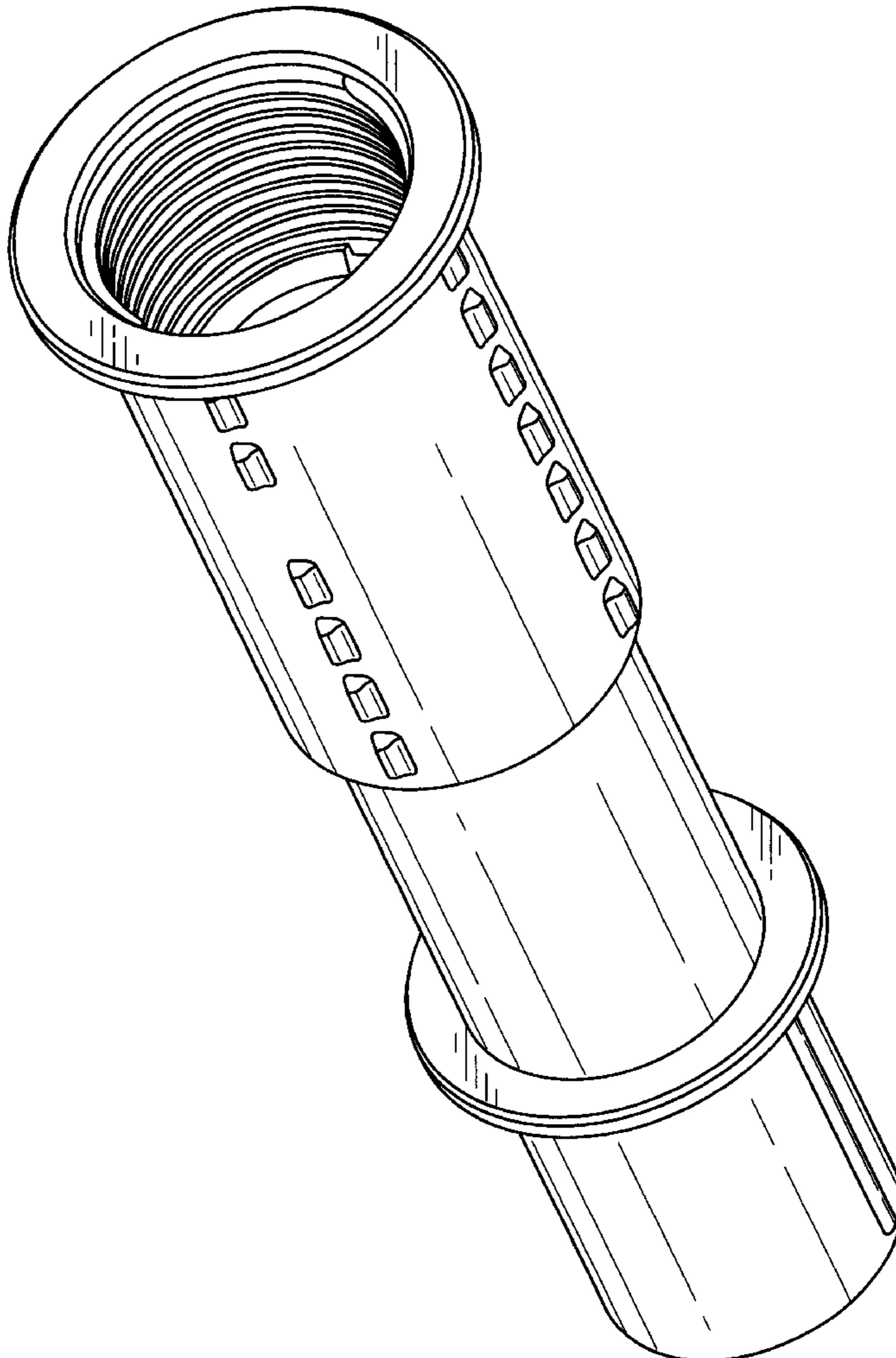


FIG. 1

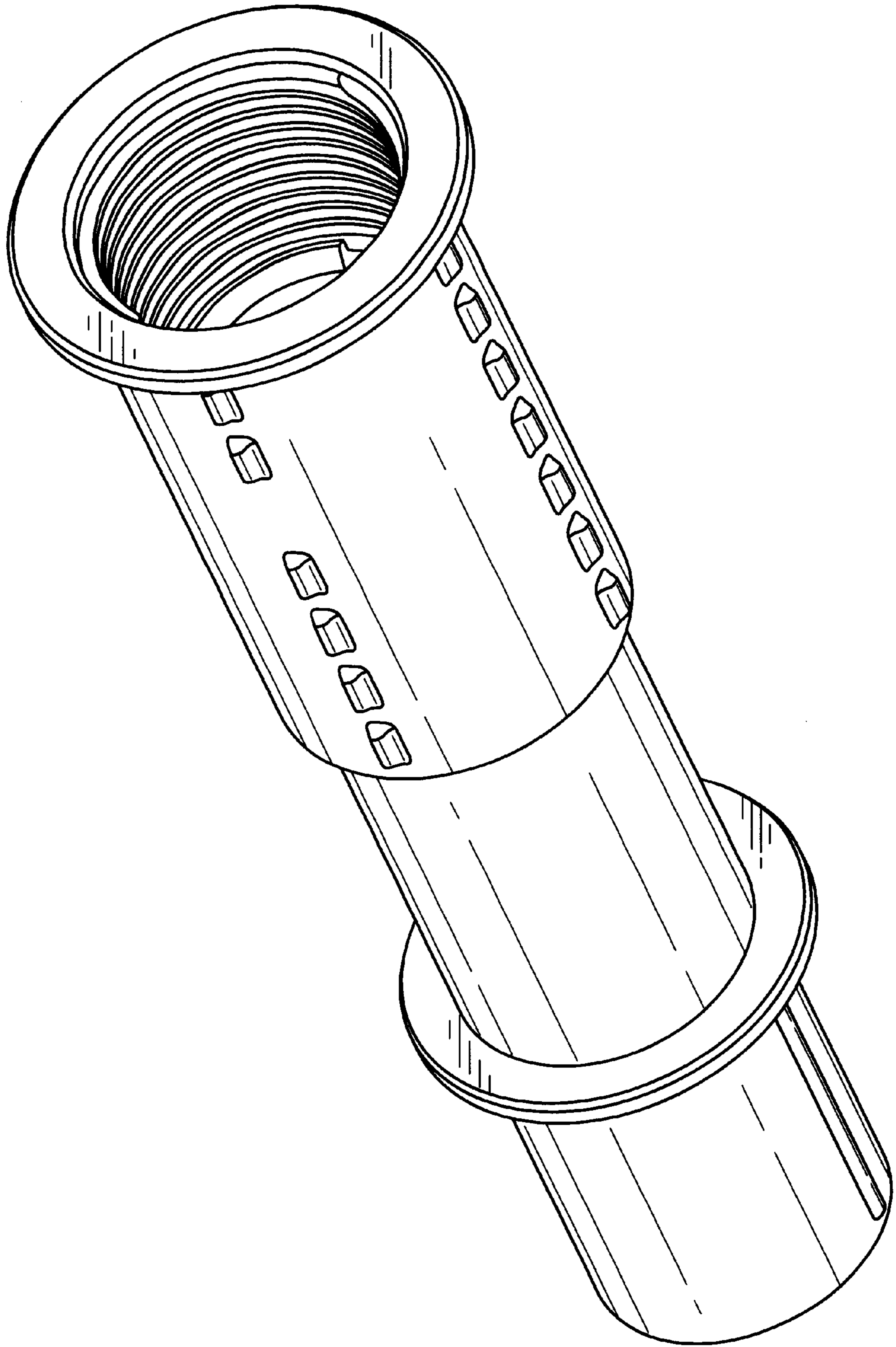


FIG. 2

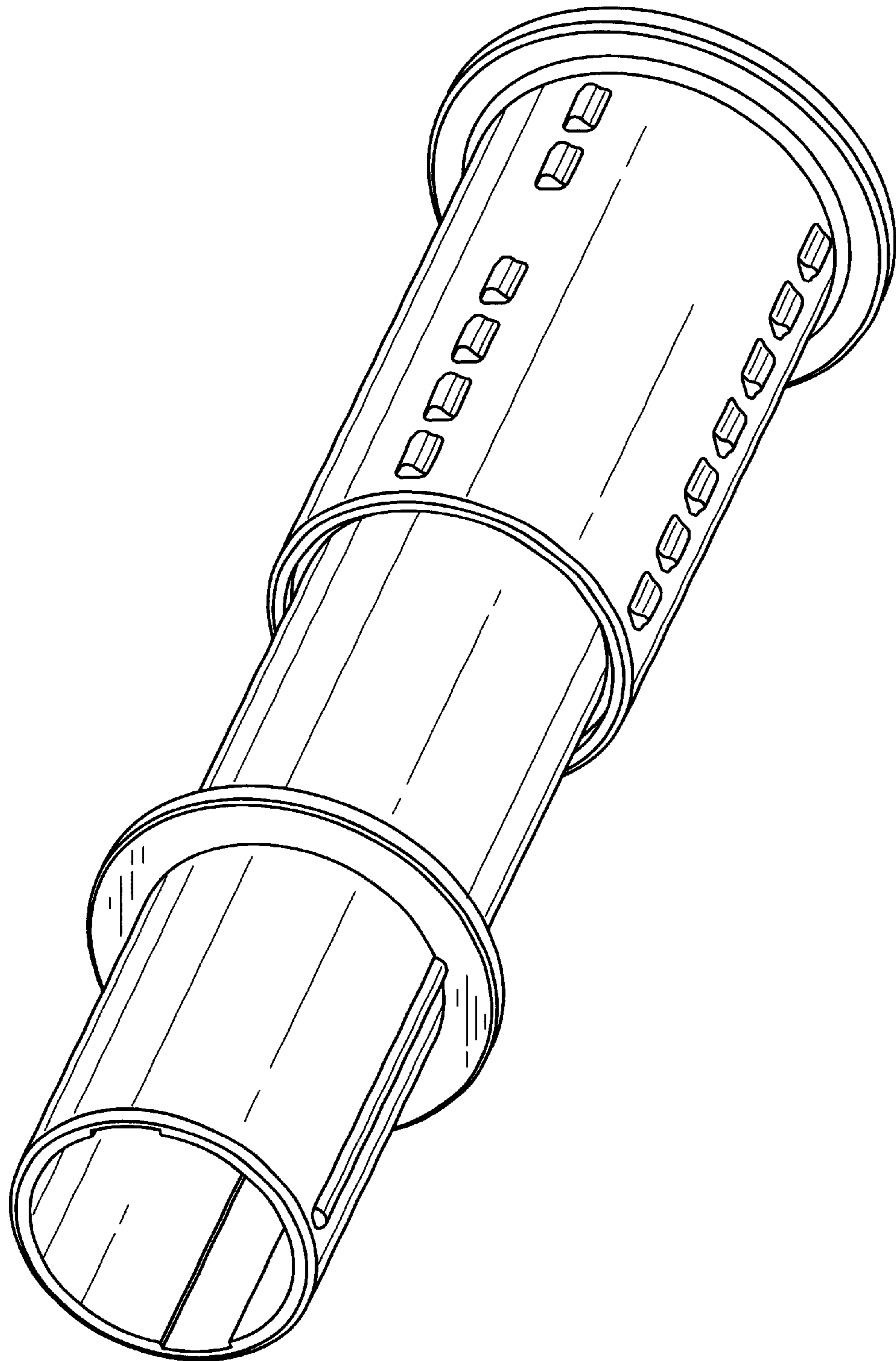


FIG. 3

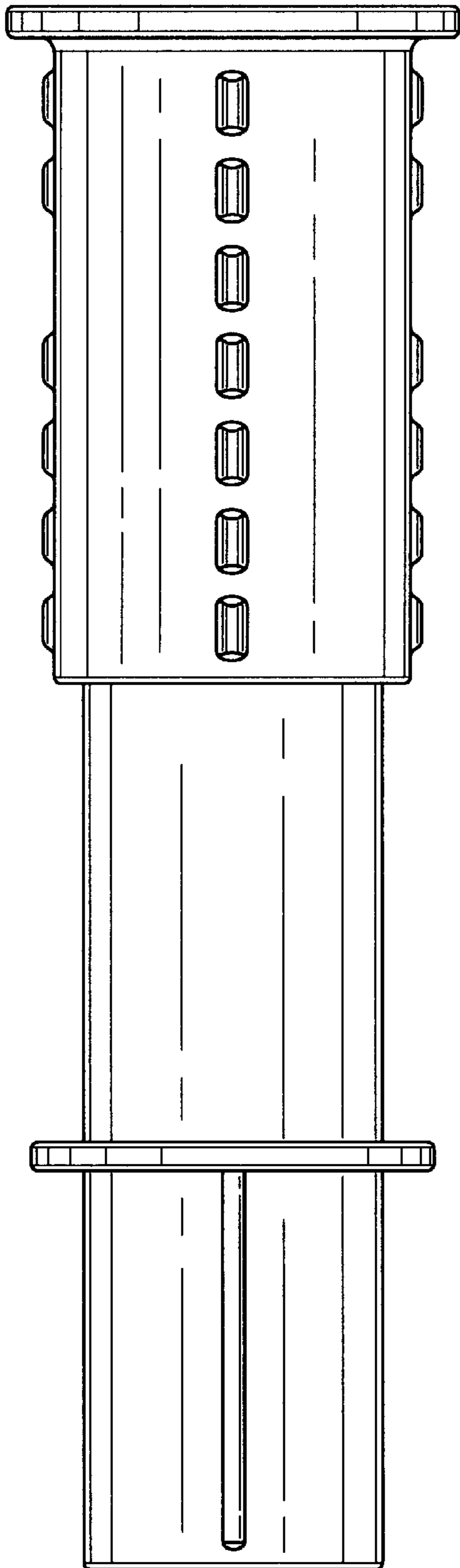
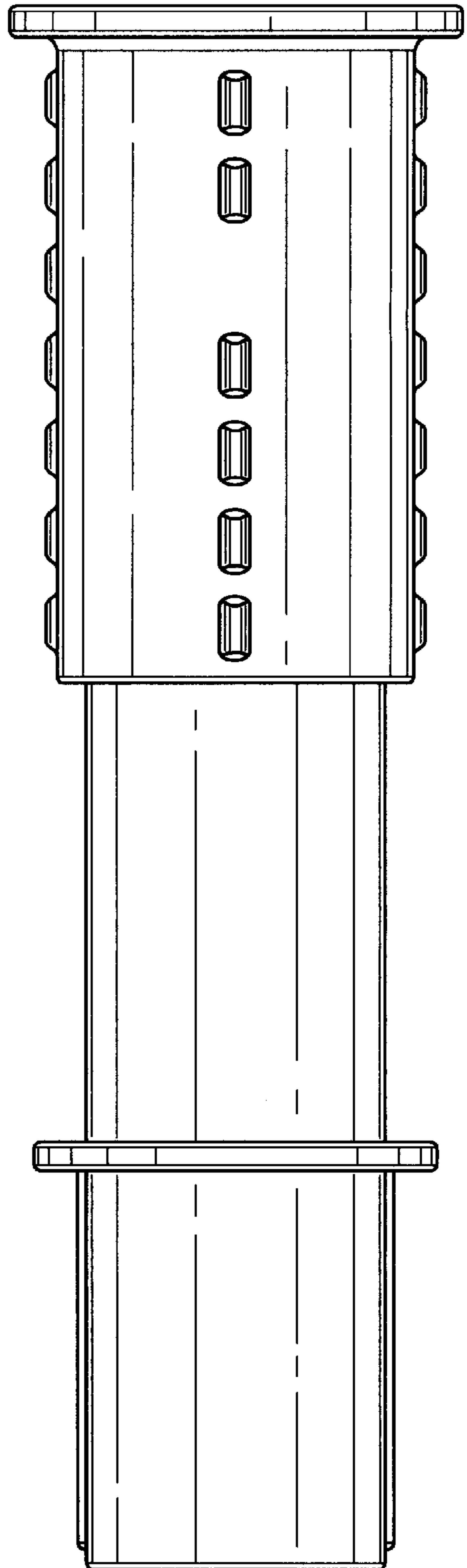


FIG. 4



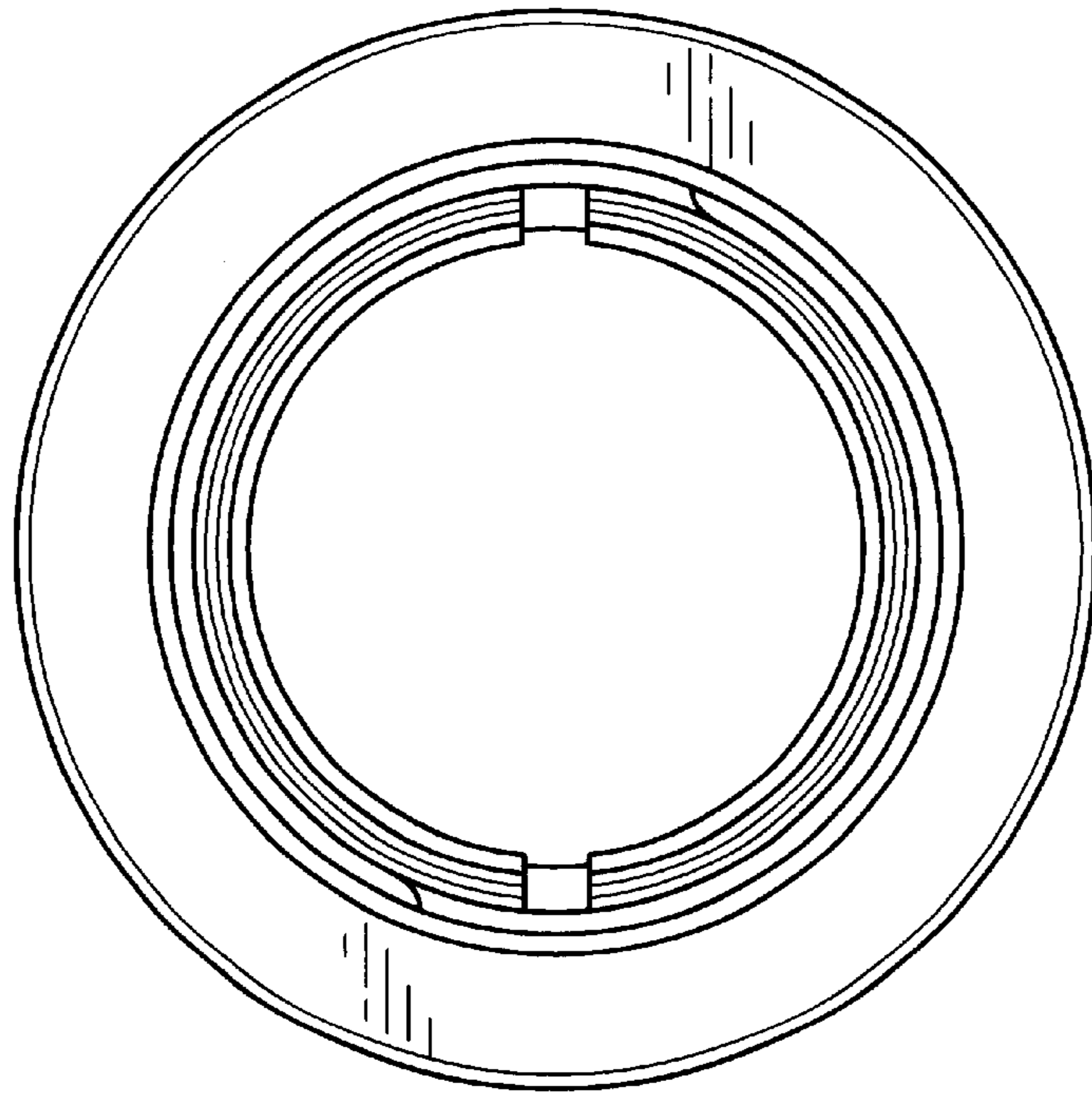


FIG. 5

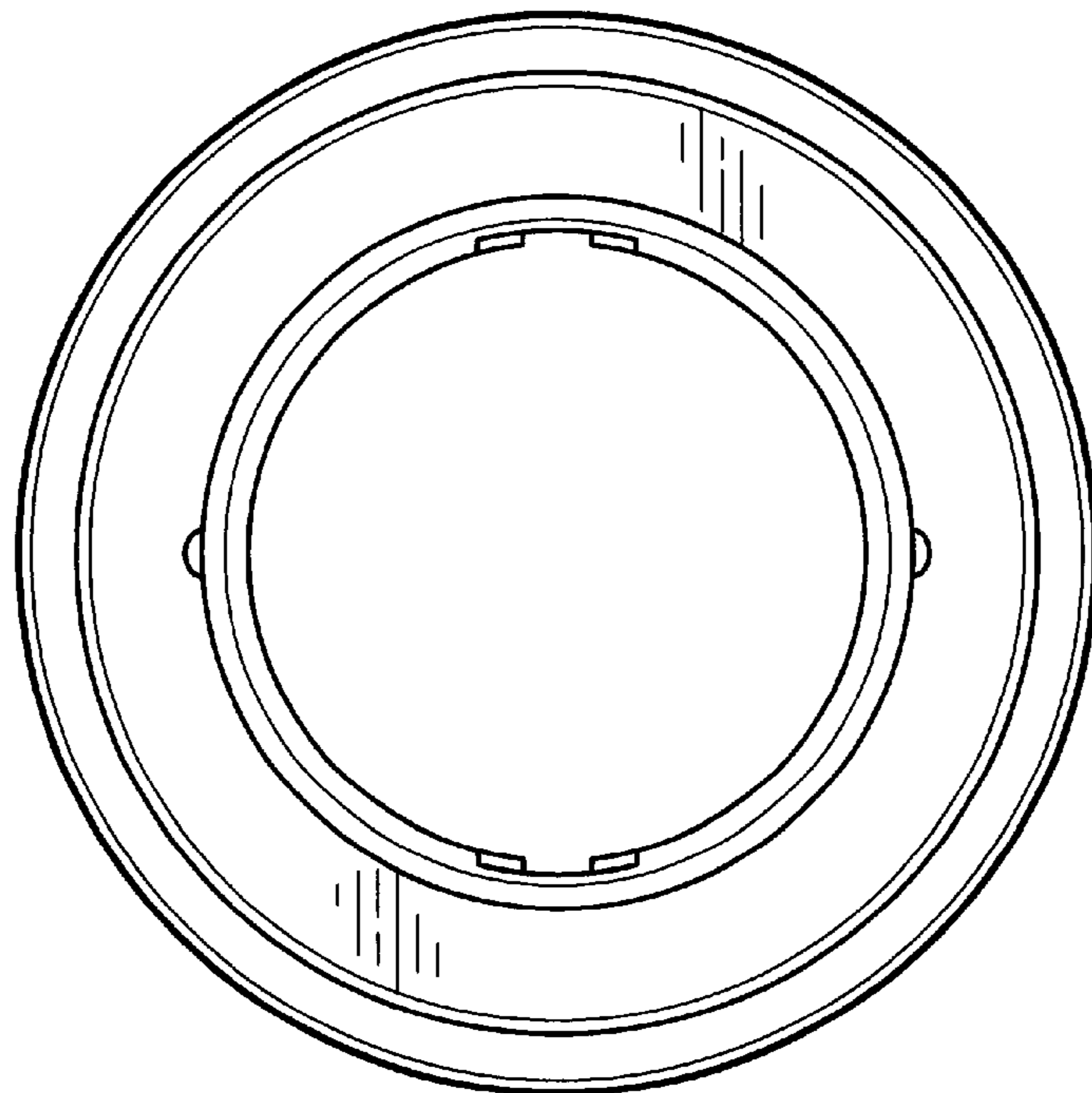


FIG. 6