



US00D452298B1

(12) **United States Design Patent**
Fabian et al.

(10) **Patent No.:** **US D452,298 S**

(45) **Date of Patent:** **** Dec. 18, 2001**

(54) **FAUCET BODY AND ESCUTCHEON**

D. 221,429 * 8/1971 Petterson D23/255
D. 340,506 * 10/1993 Sauter et al. D23/255

(75) Inventors: **Wolfgang Fabian**, Mannheim (DE);
John Hyde, Flemington, NJ (US);
Albert Becker, Wittlich-Lüxem (DE)

* cited by examiner

Primary Examiner—Louis S. Zarfaz
Assistant Examiner—Eric Watterson

(73) Assignee: **American Standard, Inc.**, Piscataway,
NJ (US)

(57) **CLAIM**

(**) Term: **14 Years**

The ornamental design for a faucet body and escutcheon, as shown and described.

(21) Appl. No.: **29/087,650**

DESCRIPTION

(22) Filed: **May 7, 1998**

Related U.S. Application Data

(62) Division of application No. 29/062,178, filed on Nov. 8, 1996.

FIG. 1 is a perspective view of a fitting showing another embodiment of my new design;

(51) **LOC (7) Cl.** **23-02**

(52) **U.S. Cl.** **D23/241**

(58) **Field of Search** D23/238–243,
D23/250–257; 4/675–678; 137/801

FIG. 2 is a front elevational view of the fitting shown in FIG. 1;

FIG. 3 is a rear elevational view of the fitting shown in FIG. 1;

FIG. 4 is a right side elevational view of the fitting shown in FIG. 1, the left side view being a mirror image of the right side;

FIG. 5 is a bottom plan view of the fitting shown in FIG. 1; and,

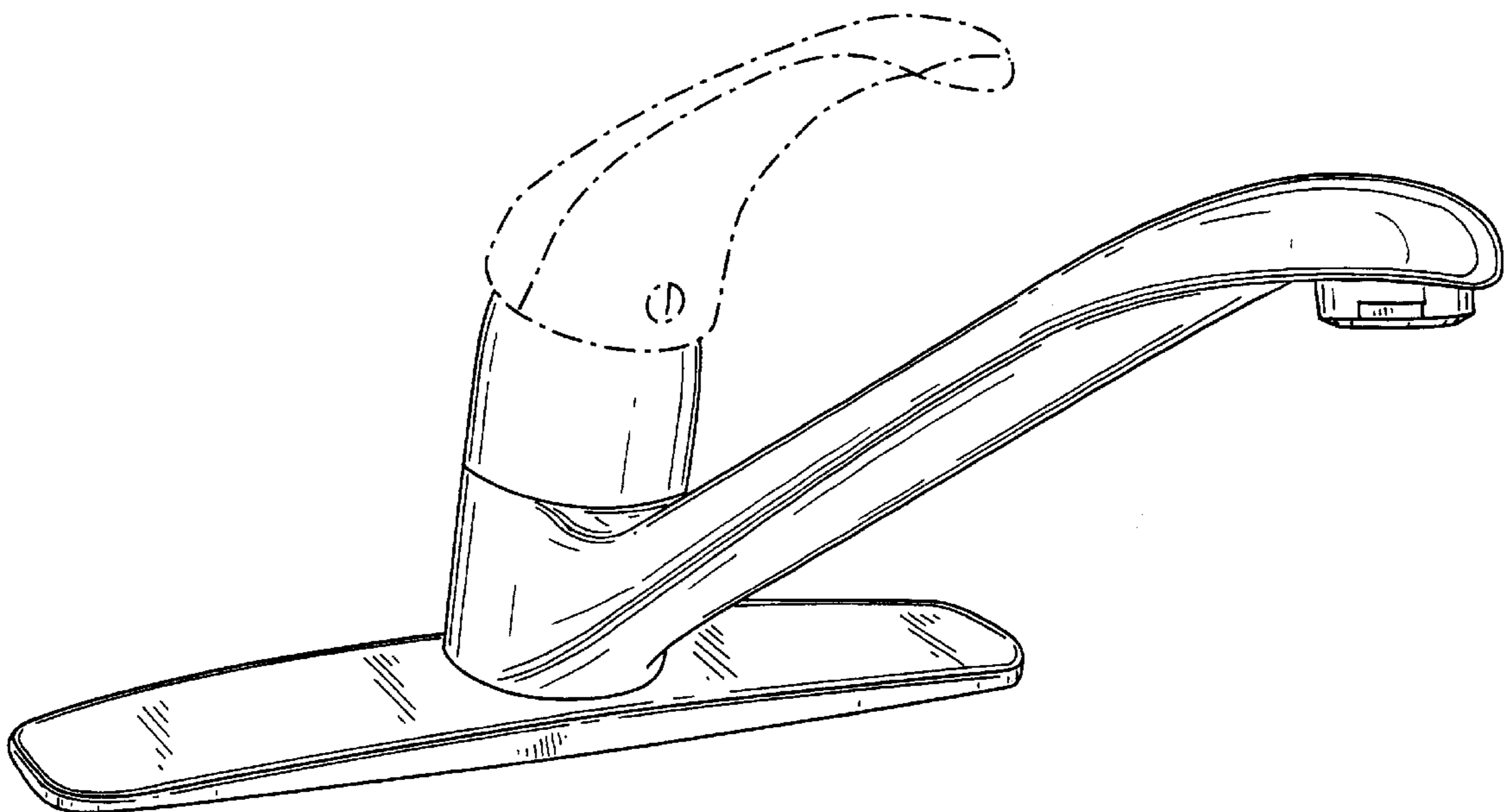
FIG. 6 is a top plan view of the fitting shown in FIG. 1. The broken line showing is for illustrative purposes only and forms no part of the claimed design.

(56) **References Cited**

U.S. PATENT DOCUMENTS

D. 140,692 * 3/1945 Judell D23/255
D. 187,845 * 5/1960 Kohler D23/255
D. 219,779 * 1/1971 Tiller D23/238

1 Claim, 5 Drawing Sheets



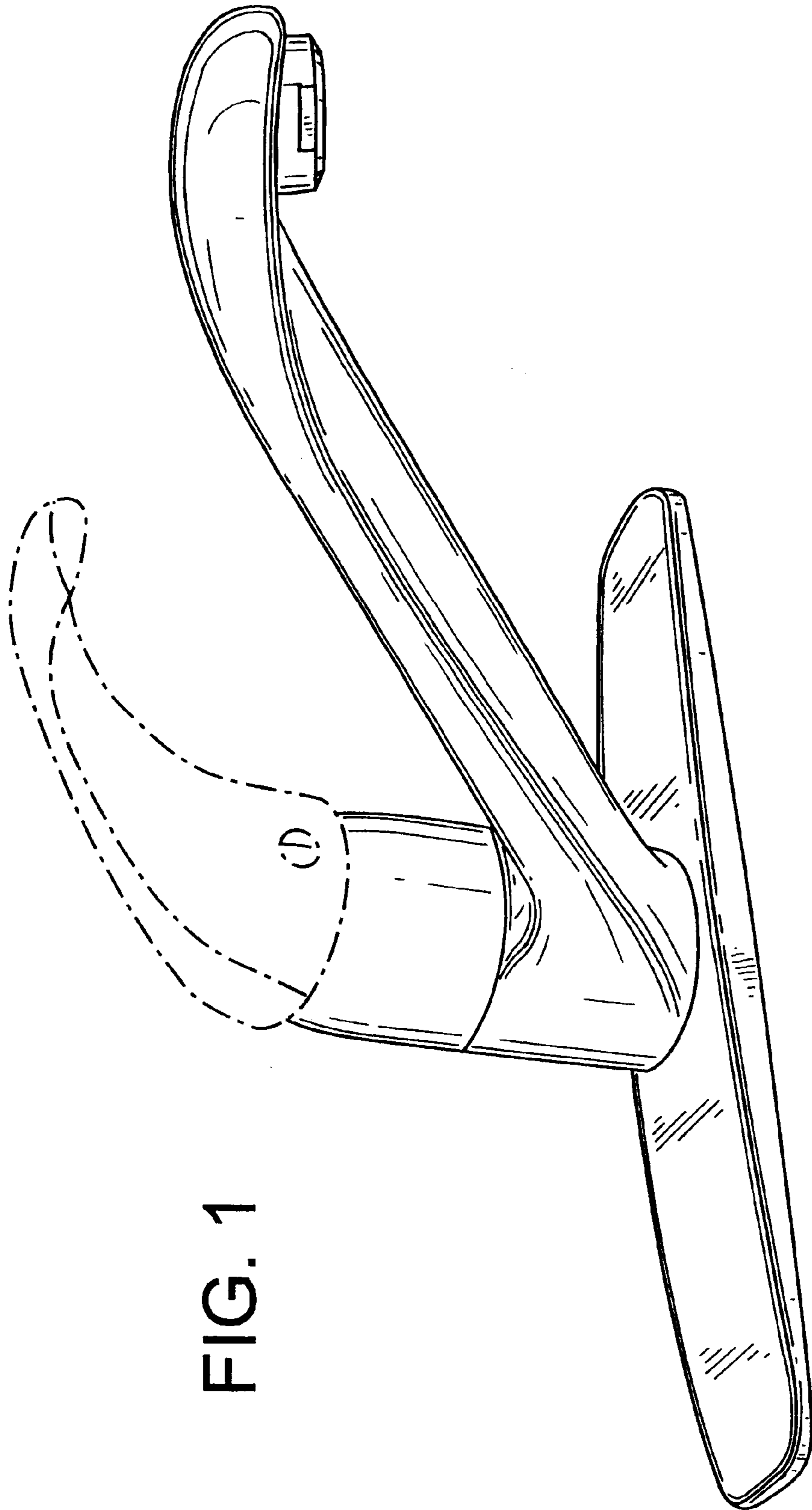


FIG. 1

FIG. 2

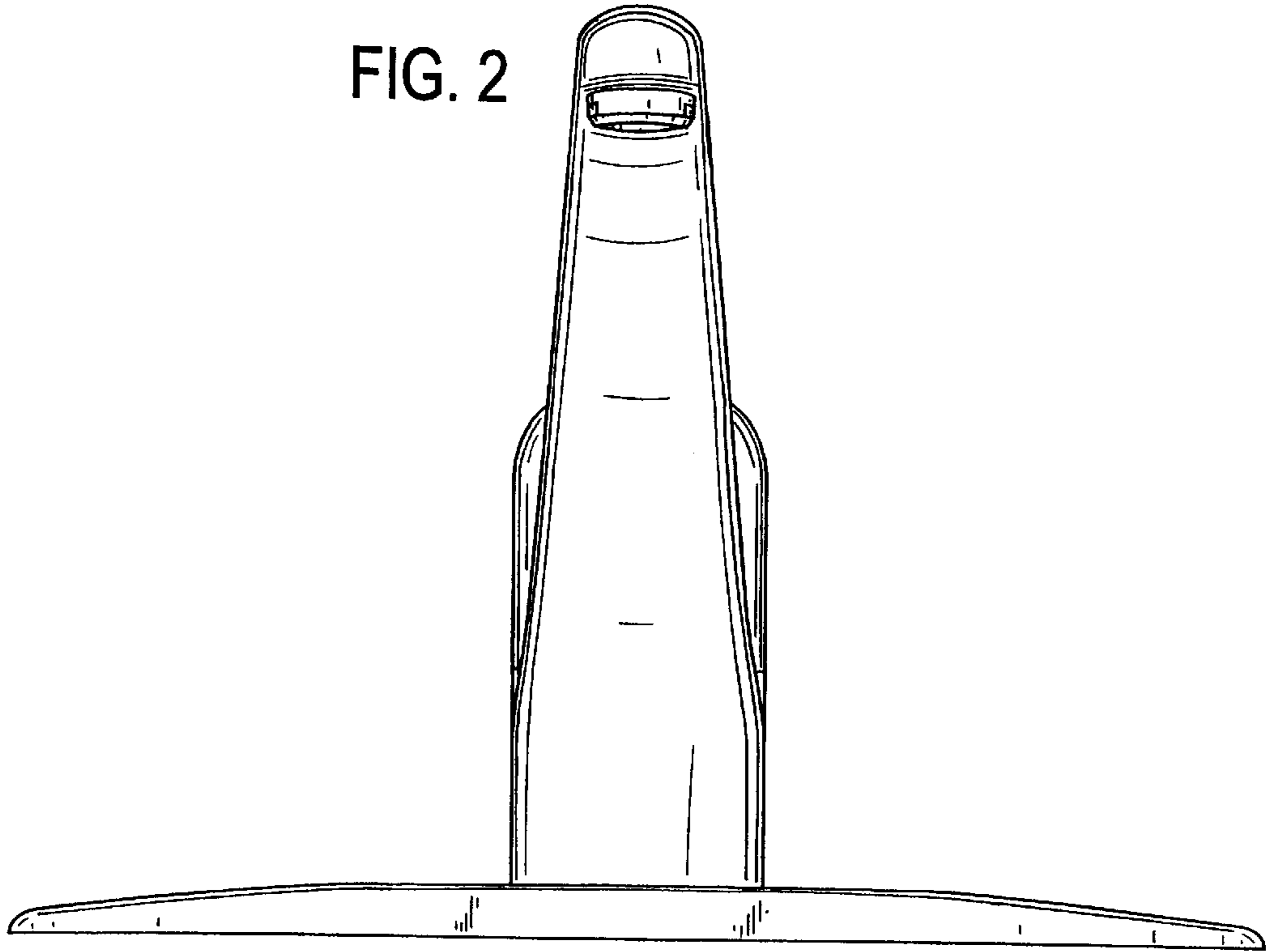


FIG. 3

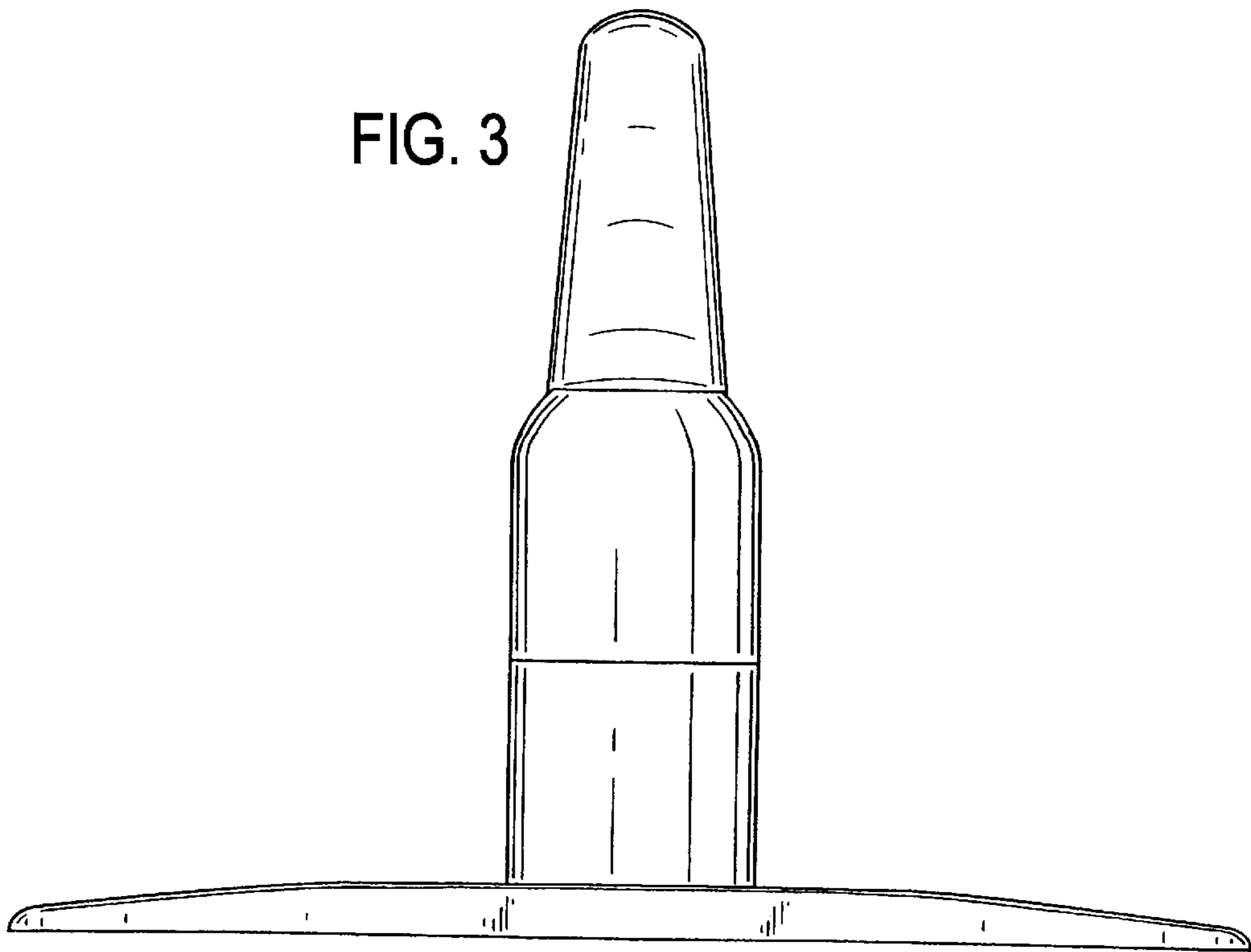


FIG. 4

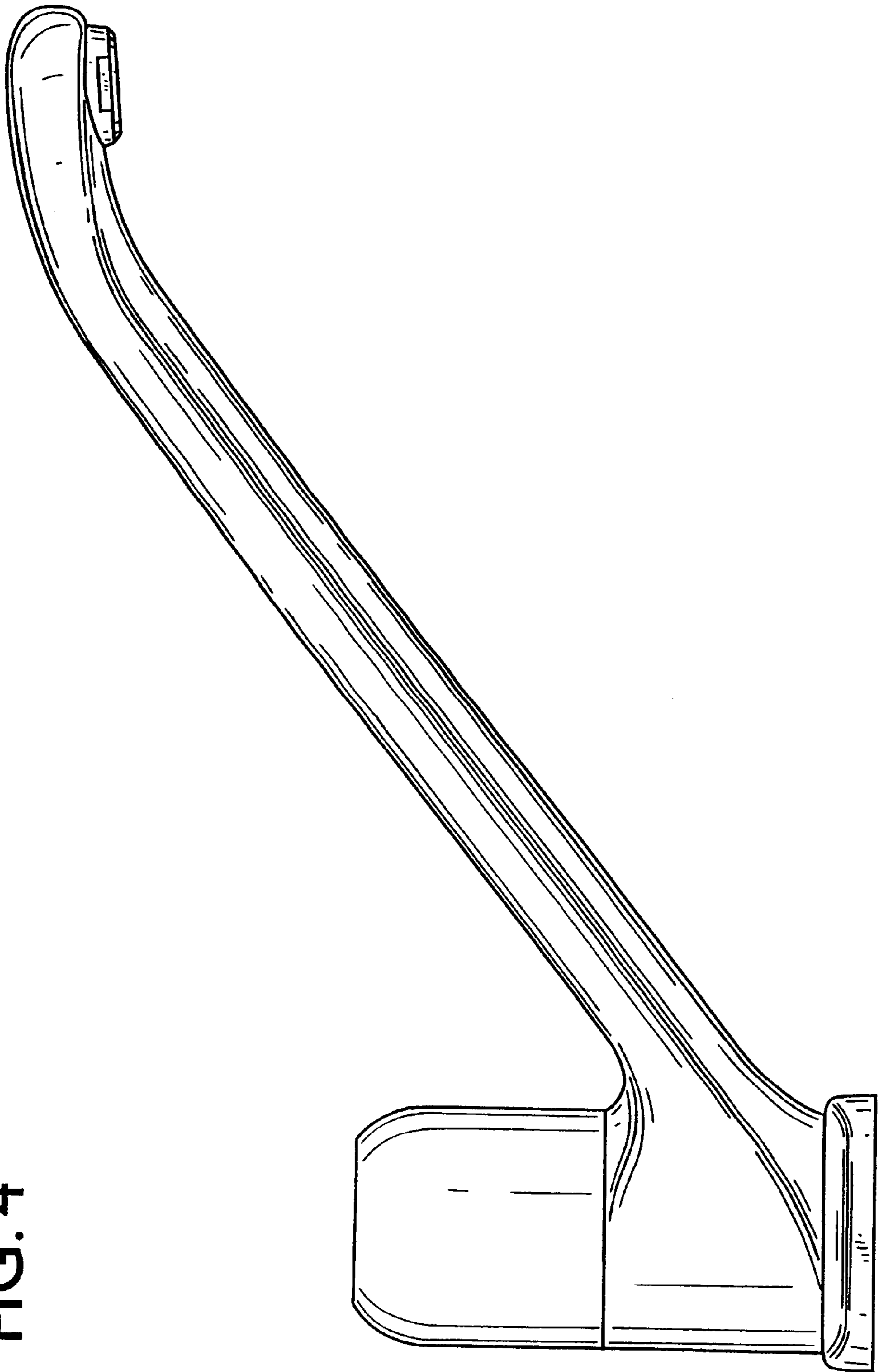


FIG. 5

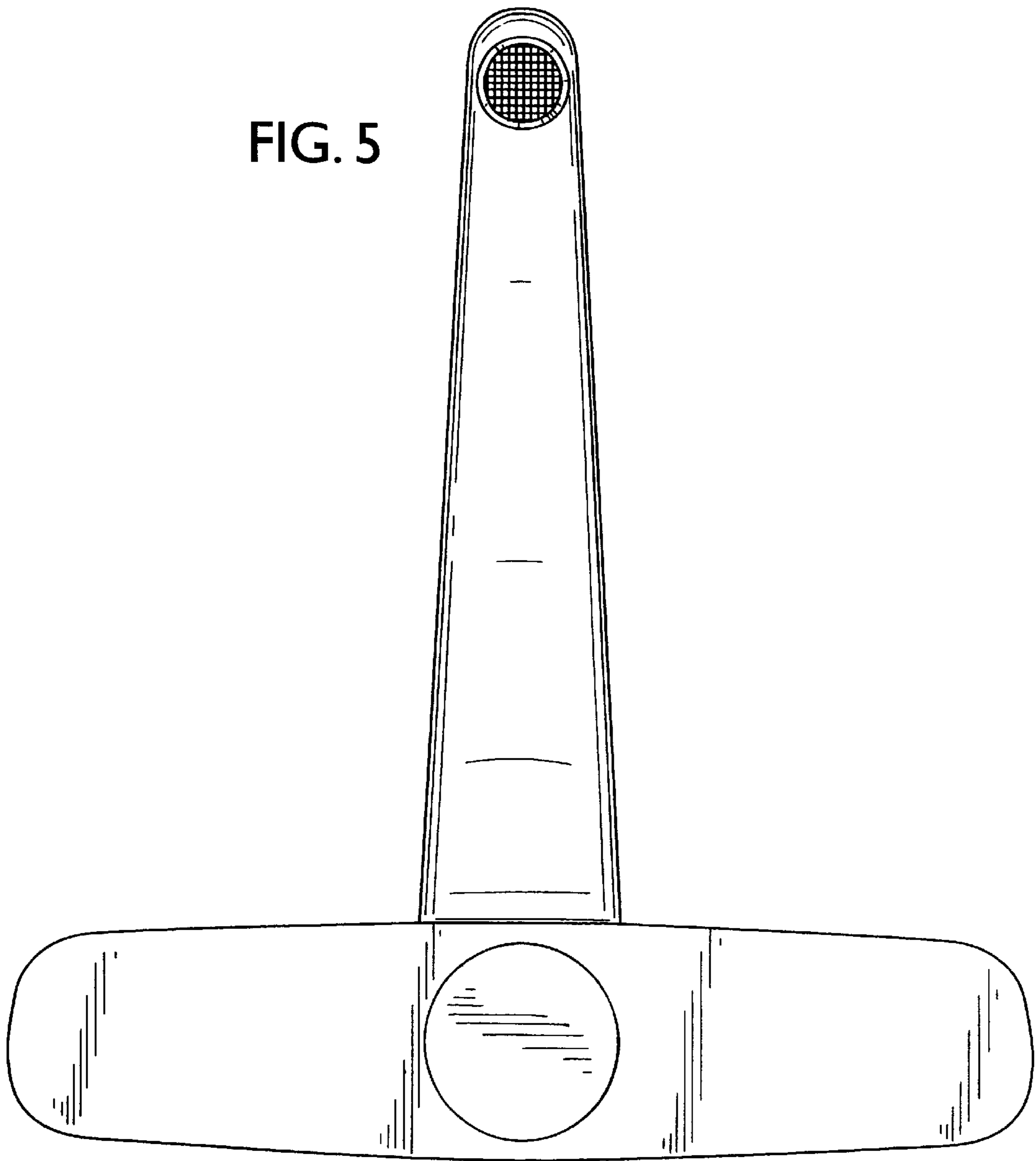


FIG. 6

