



US00D452295B1

(12) **United States Design Patent**
Ricketts

(10) **Patent No.:** **US D452,295 S**

(45) **Date of Patent:** **** Dec. 18, 2001**

(54) **PLATE FOR A WASTEWATER TREATMENT PLANT**

5,128,029	7/1992	Herrmann .	
5,792,348	*	8/1998	Eisinga 210/231
6,039,873		3/2000	Stahler .
6,149,806	*	11/2000	Baer 210/231

(75) **Inventor:** **Donald D. Ricketts, Monterey, VA (US)**

* cited by examiner

(73) **Assignee:** **Wastewater Technology, Inc., Monterey, VA (US)**

Primary Examiner—Robin V. Taylor
(74) *Attorney, Agent, or Firm*—Stevens, Davis, Miller & Mosher, L.L.P.

(**) **Term:** **14 Years**

(57) **CLAIM**

(21) **Appl. No.:** **29/135,661**

The ornamental design for a plate for a wastewater treatment plant, as shown and described.

(22) **Filed:** **Jan. 17, 2001**

(51) **LOC (7) Cl.** **23-01**

(52) **U.S. Cl.** **D23/207**

(58) **Field of Search** D23/206, 207,
D23/209; 210/249, 231

DESCRIPTION

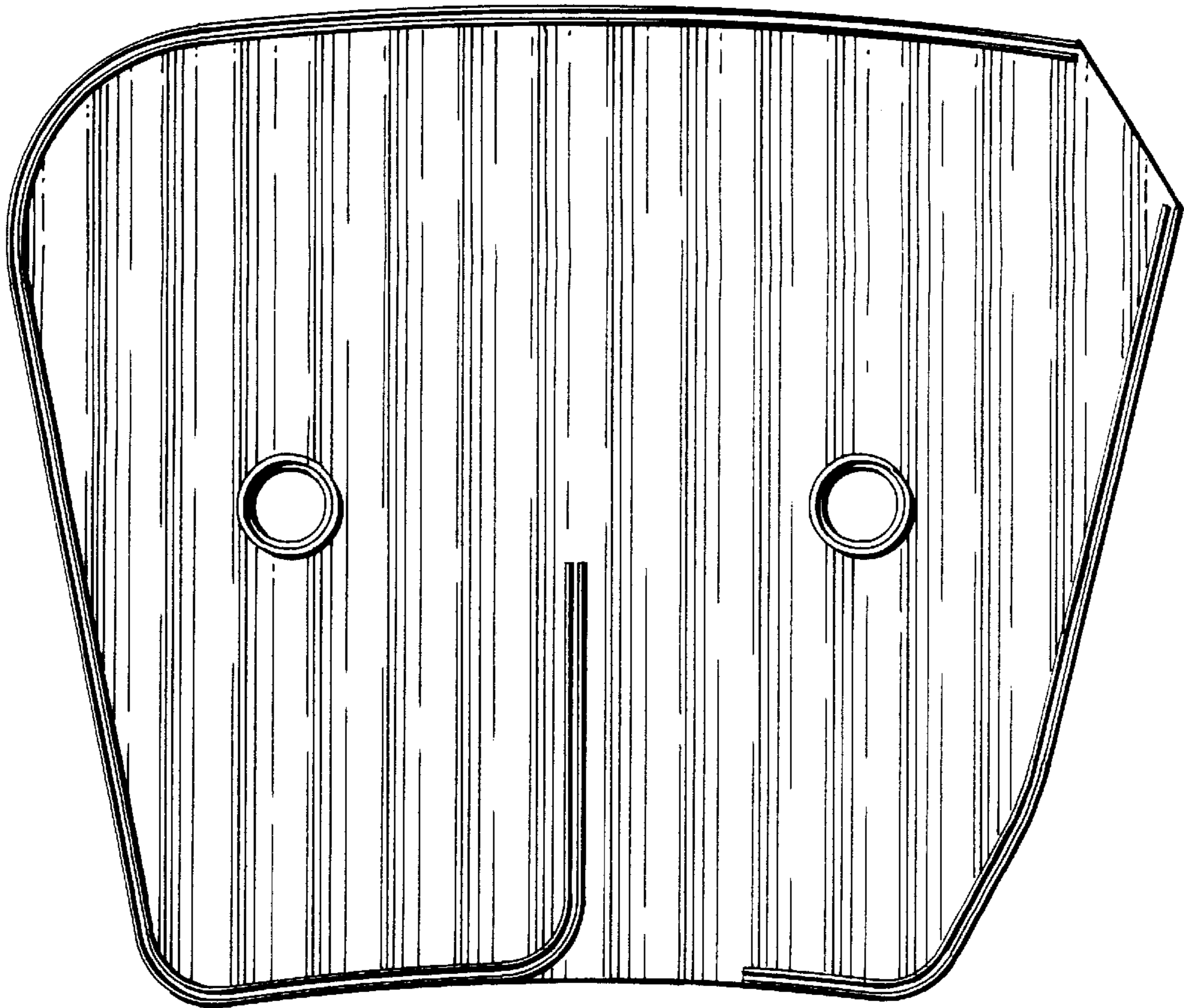
FIG. 1 is a front view of the plate of the present invention; FIG. 2 is a rear view of the plate of the present invention; FIG. 3 is a top view of the plate of FIG. 1; FIG. 4 is a bottom view of the plate of FIG. 2; FIG. 5 is a right side view of the plate of FIG. 1; FIG. 6 is a left side view of the plate of FIG. 2; and, FIG. 7 is a cross-section along line 7—7 of FIG. 2.

(56) **References Cited**

U.S. PATENT DOCUMENTS

3,543,938	*	12/1970	Busse et al.	210/231
4,028,245		6/1977	Stahler .	
5,011,601	*	4/1991	Busse 210/229	

1 Claim, 3 Drawing Sheets



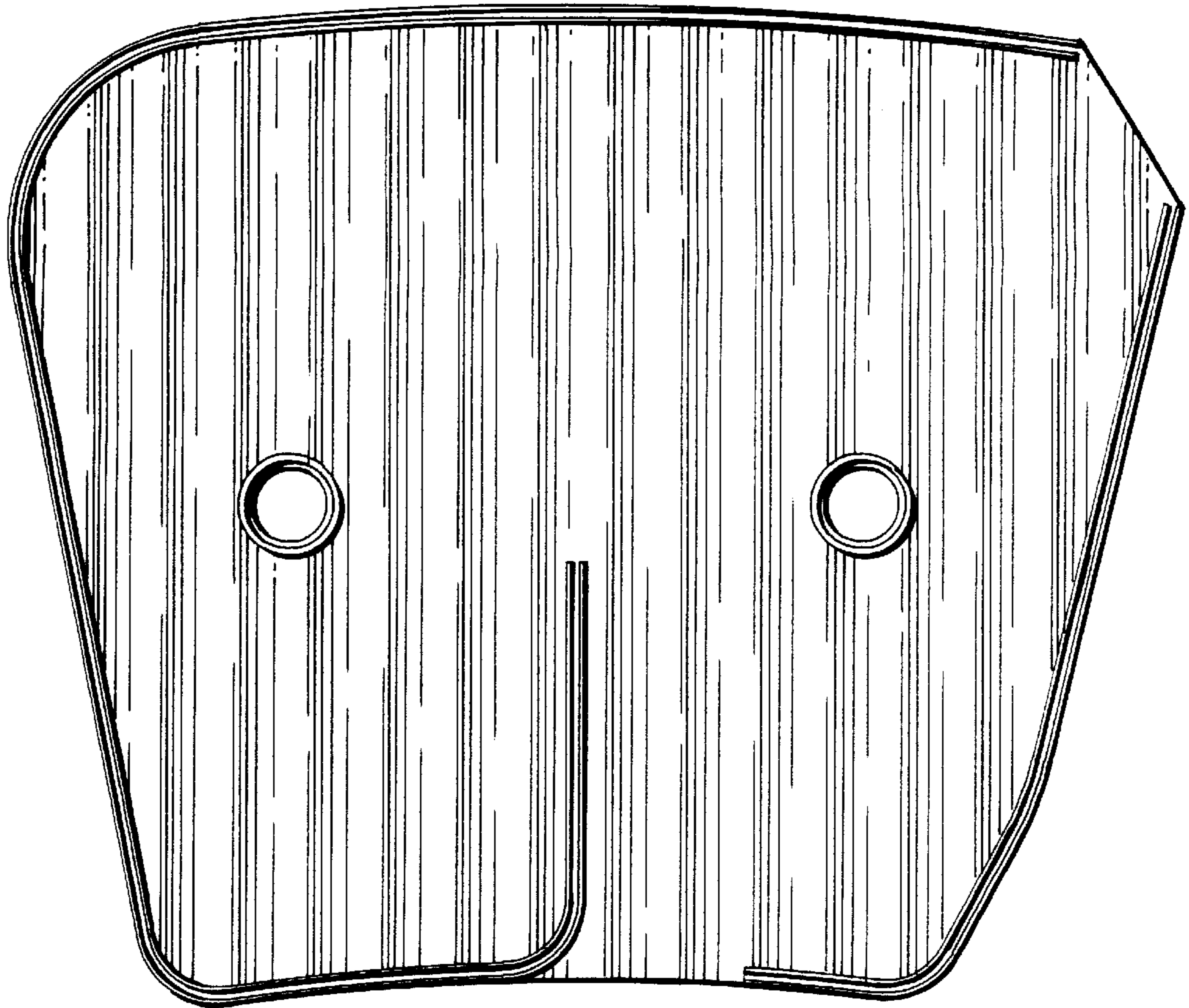


FIG. 1



FIG. 3

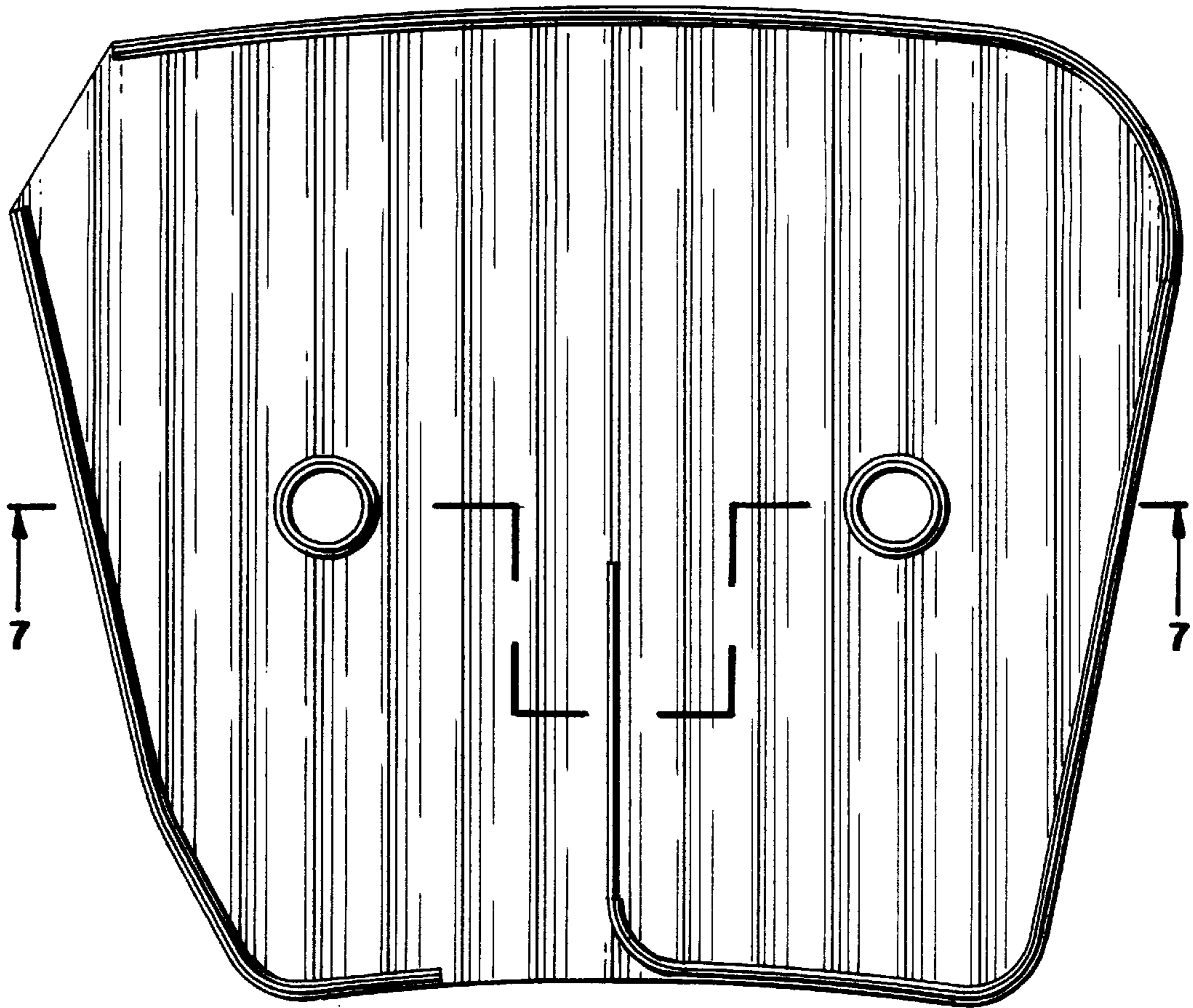


FIG. 2



FIG. 4

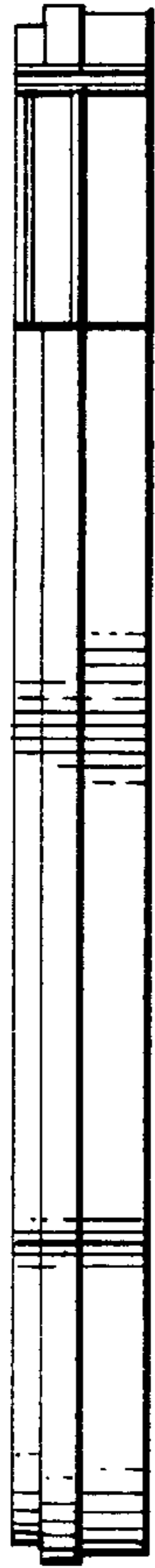


FIG. 5



FIG. 6



FIG. 7