



US00D452292B1

(12) **United States Design Patent**
Kim et al.

(10) **Patent No.:** **US D452,292 S**

(45) **Date of Patent:** **** Dec. 18, 2001**

(54) **BAITCAST FISHING REEL**

(75) Inventors: **Hyunkyu Kim; Robert D. Bagby**, both of Broken Arrow, OK (US); **Richard J. Robbins**, Derby, KS (US)

(73) Assignee: **Brunswick Corporation**, Lake Forest, IL (US)

(**) Term: **14 Years**

(21) Appl. No.: **29/128,762**

(22) Filed: **Aug. 30, 2000**

(51) **LOC (7) Cl.** **22-05**

(52) **U.S. Cl.** **D22/140**

(58) **Field of Search** D22/140, 137,
D22/138, 139, 141; 242/370, 223, 224,
234, 235-240, 311, 322

(56) **References Cited**

U.S. PATENT DOCUMENTS

- D. 422,047 * 3/2000 Kaneda et al. D22/140
- D. 432,202 10/2000 Kim et al. D22/140

- D. 436,155 * 1/2001 Asano et al. D22/140
- D. 436,645 * 1/2001 Kim et al. D22/140

* cited by examiner

Primary Examiner—Catherine R. Oliver
(74) *Attorney, Agent, or Firm*—Fellers, Snider,
Blankenship, Bailey & Tippens, P.C.

(57) **CLAIM**

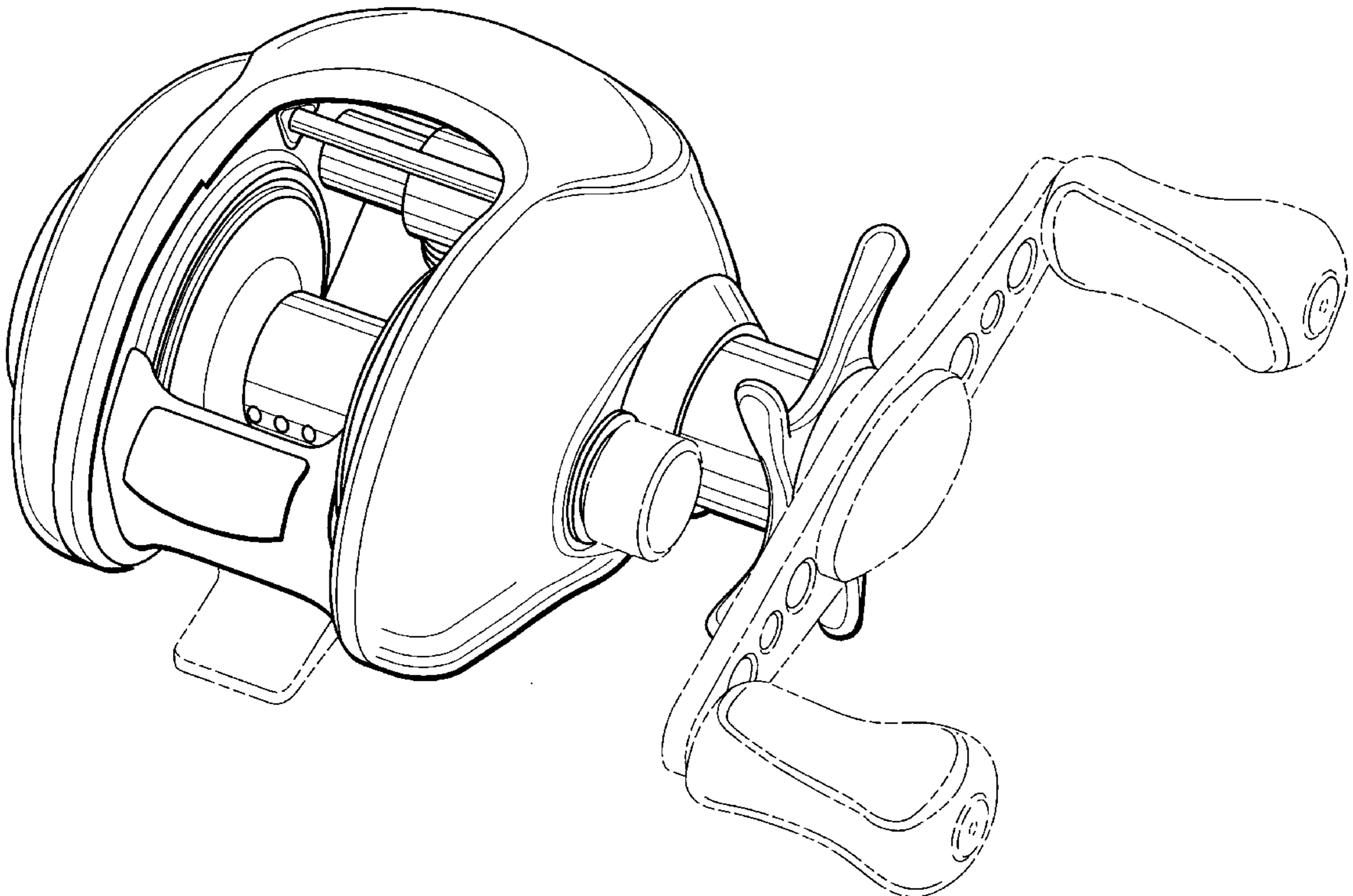
The ornamental design for a baitcast fishing reel, as shown.

DESCRIPTION

FIG. 1 is a perspective view from the top right side of a baitcast fishing reel showing our new design; FIG. 2 is a rear elevation view thereof; FIG. 3 is a front elevation view thereof; FIG. 4 is a top plan view thereof; FIG. 5 is a bottom plan view thereof; FIG. 6 is a right side elevation view thereof; and, FIG. 7 is a left side elevation view thereof.

The broken line showing of environment in the drawings is for illustrative purposes only and forms no part of the claimed design.

1 Claim, 6 Drawing Sheets



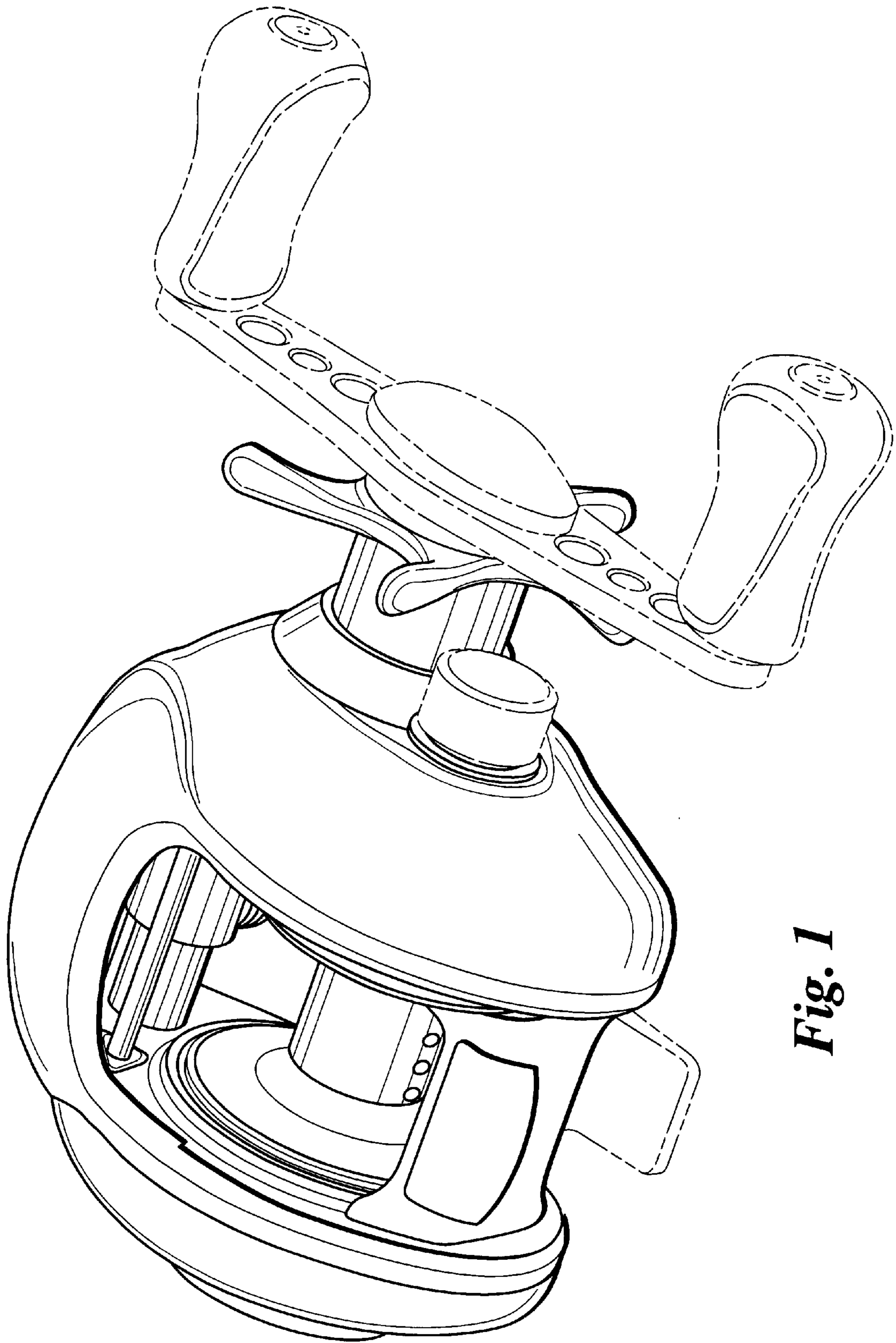


Fig. 1

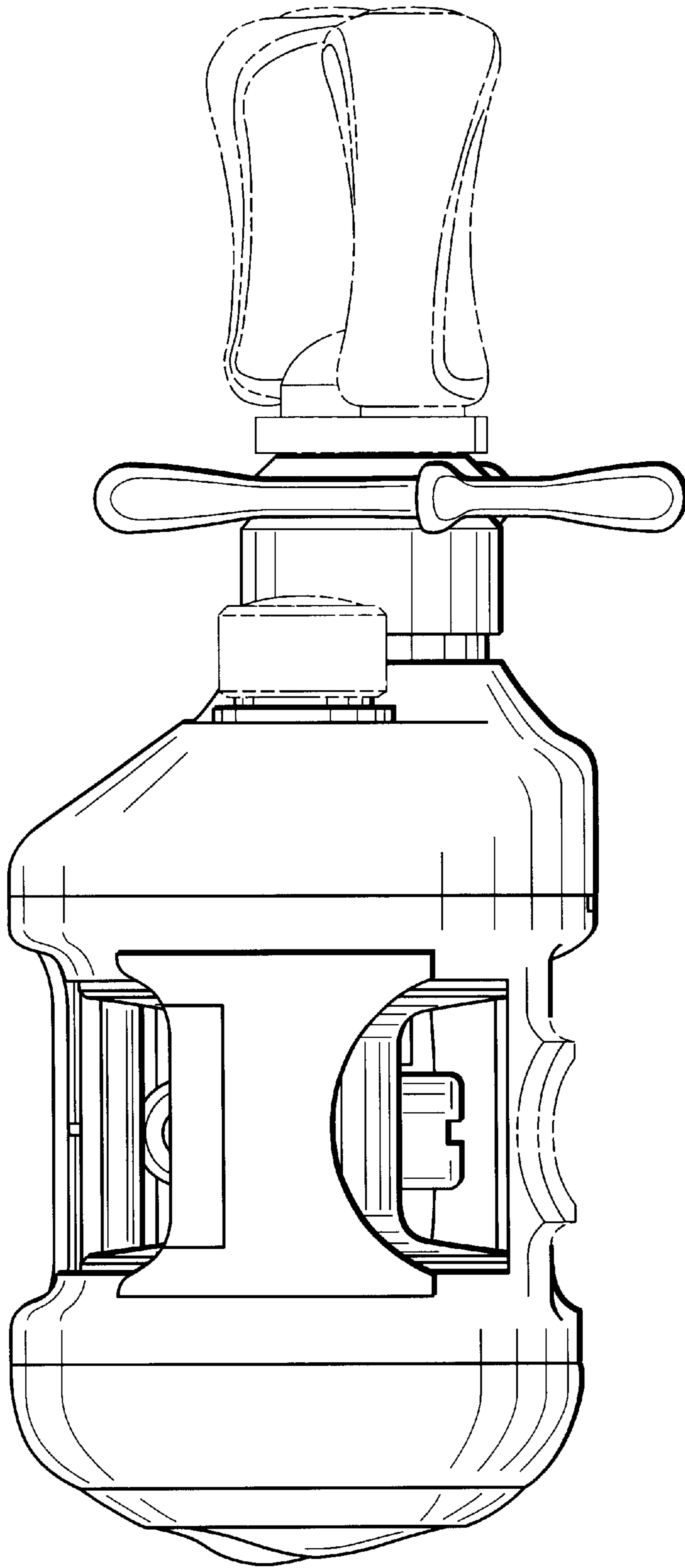


Fig. 2

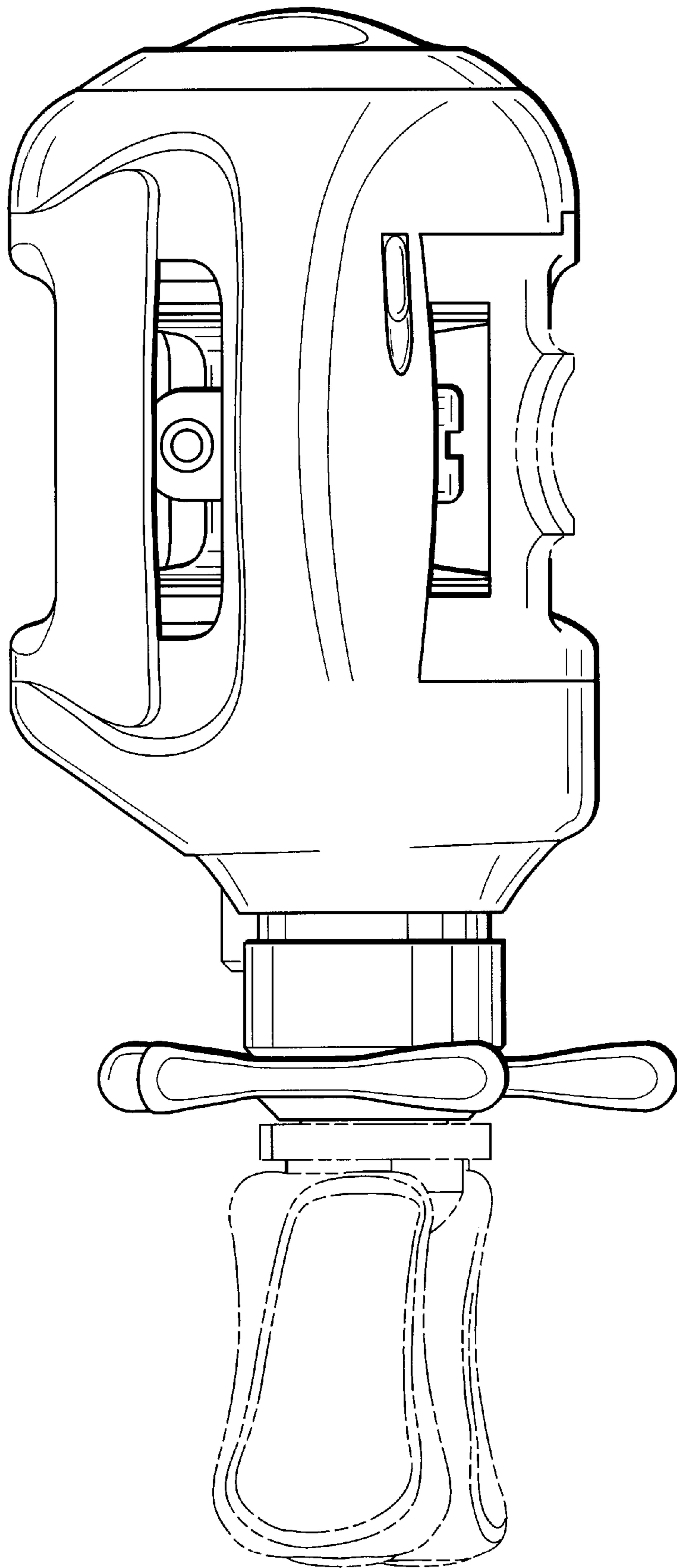


Fig. 3

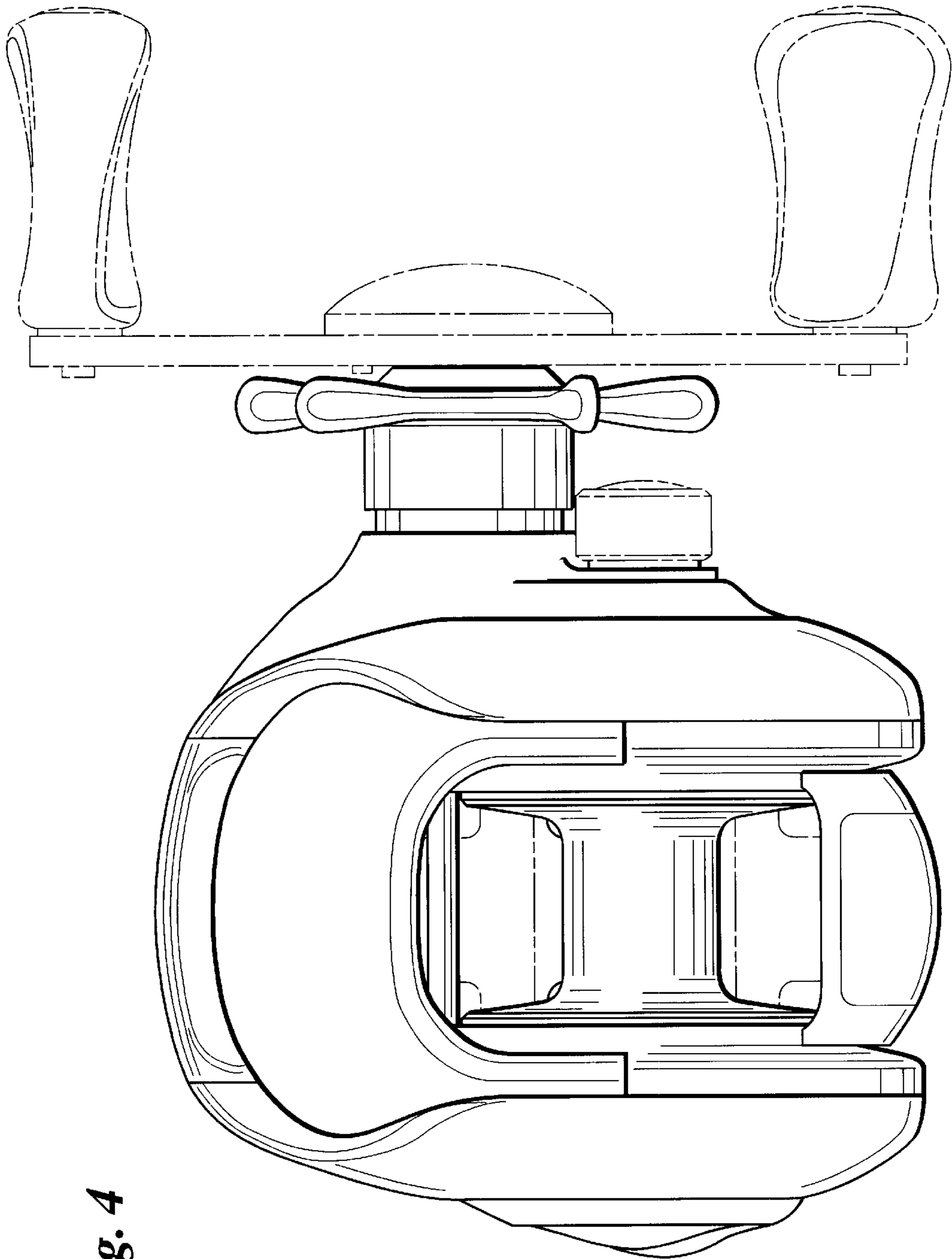


Fig. 4

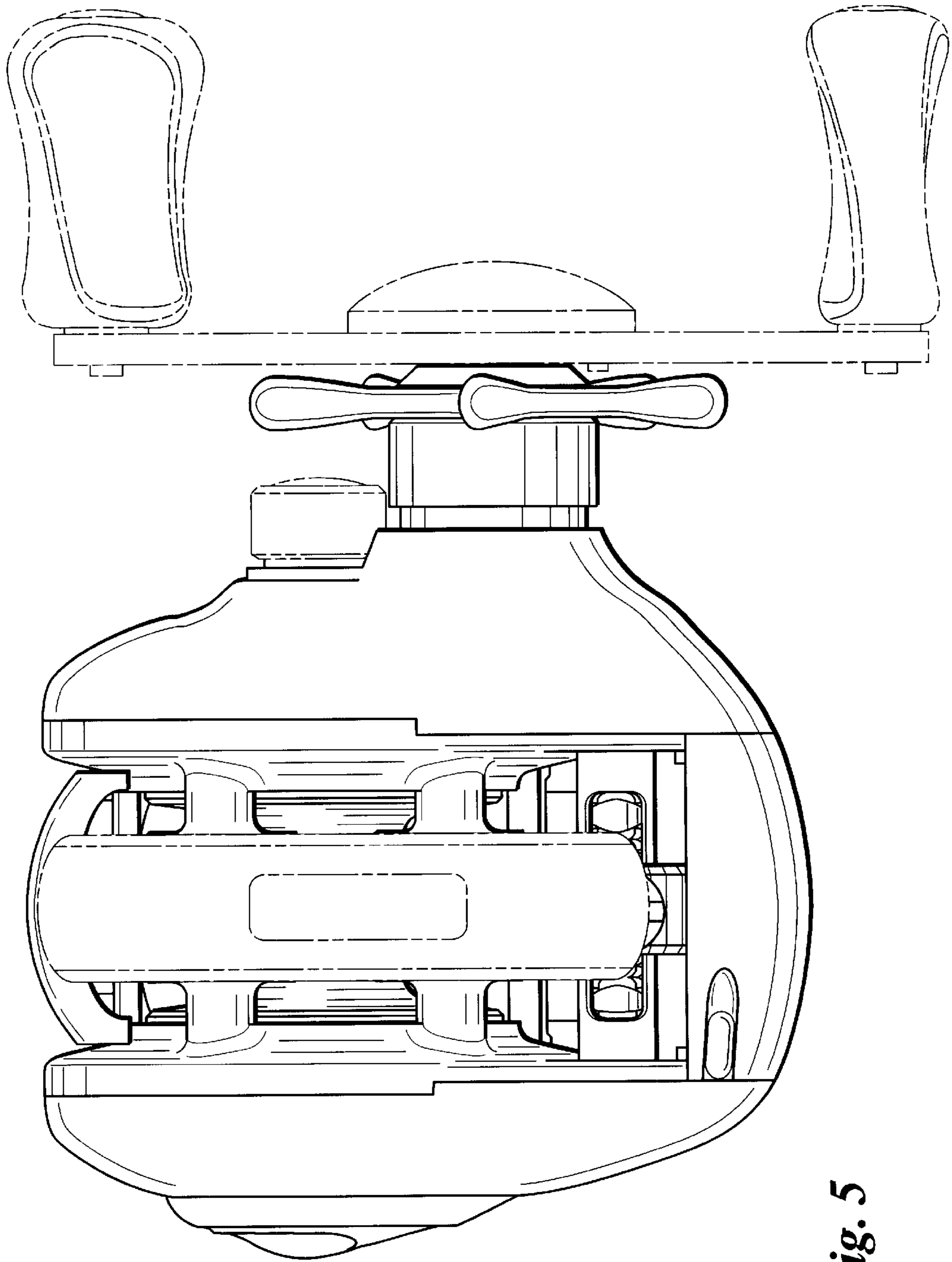


Fig. 5

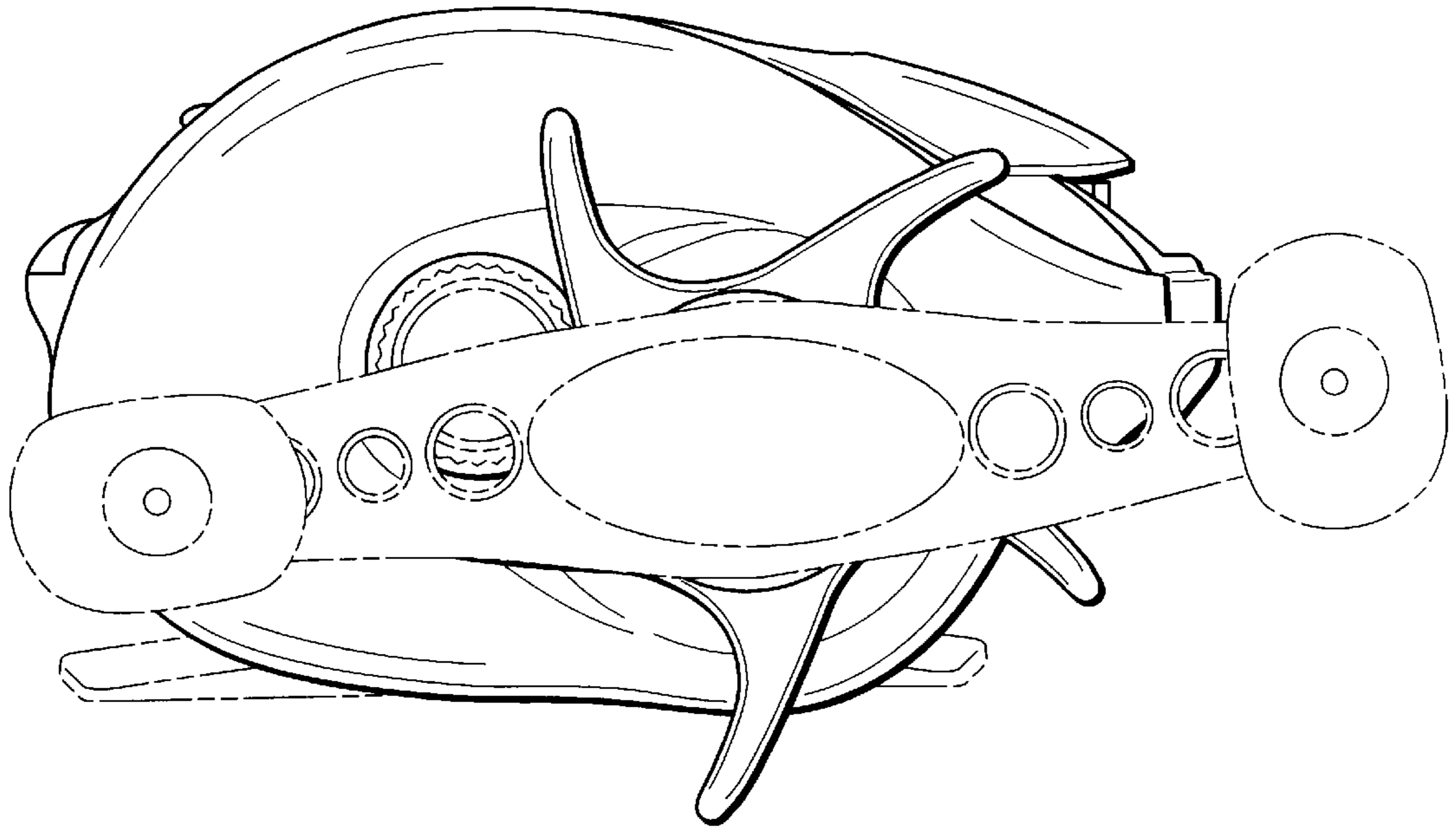


Fig. 6

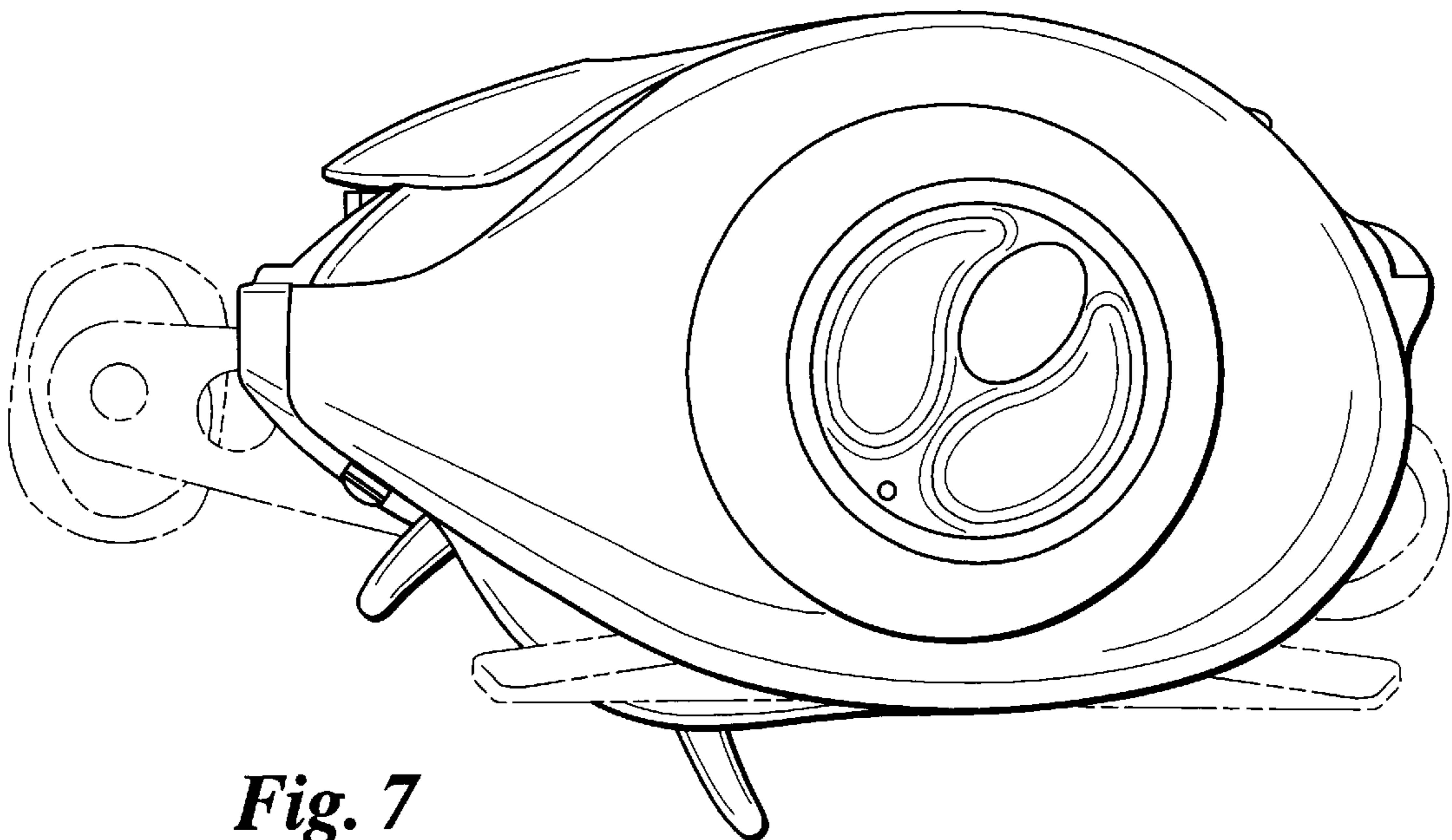


Fig. 7