



US00D452290B1

(12) **United States Design Patent**
Kolpin

(10) **Patent No.:** **US D452,290 S**

(45) **Date of Patent:** **** Dec. 18, 2001**

(54) **ONE-PIECE GUN BOOT BRACKET**

(76) **Inventor:** **Ronald N. Kolpin**, 9380 Ladwig La.,
Berlin, WI (US) 54923

(**) **Term:** **14 Years**

(21) **Appl. No.:** **29/132,695**

(22) **Filed:** **Nov. 13, 2000**

(51) **LOC (7) Cl.** **22-01**

(52) **U.S. Cl.** **D22/108**

(58) **Field of Search** D22/108-110,
D22/199; 42/75.03, 101, 100, 94, 102;
33/241, 252, 256, 257

(56) **References Cited**

U.S. PATENT DOCUMENTS

D. 303,000	*	8/1989	Tamas et al.	D22/110
D. 329,078	*	9/1992	Hasselbush	D22/108
D. 344,125	*	2/1994	Strayer et al.	D22/108
D. 346,003	*	4/1994	Anderson	D22/108
5,697,181	*	12/1997	Savant	42/94

OTHER PUBLICATIONS

Kolpin Product Magazine, pp. 1-36, No date.

* cited by examiner

Primary Examiner—Catherine R. Oliver

(74) *Attorney, Agent, or Firm*—Rider, Bennett, Egan & Arundel

(57) **CLAIM**

The ornamental design for a one-piece gun boot bracket, as shown and described.

DESCRIPTION

FIG. 1 is a side elevational view showing my new design;

FIG. 2 is a top plan view;

FIG. 3 is an end view;

FIG. 4 is a side elevational view;

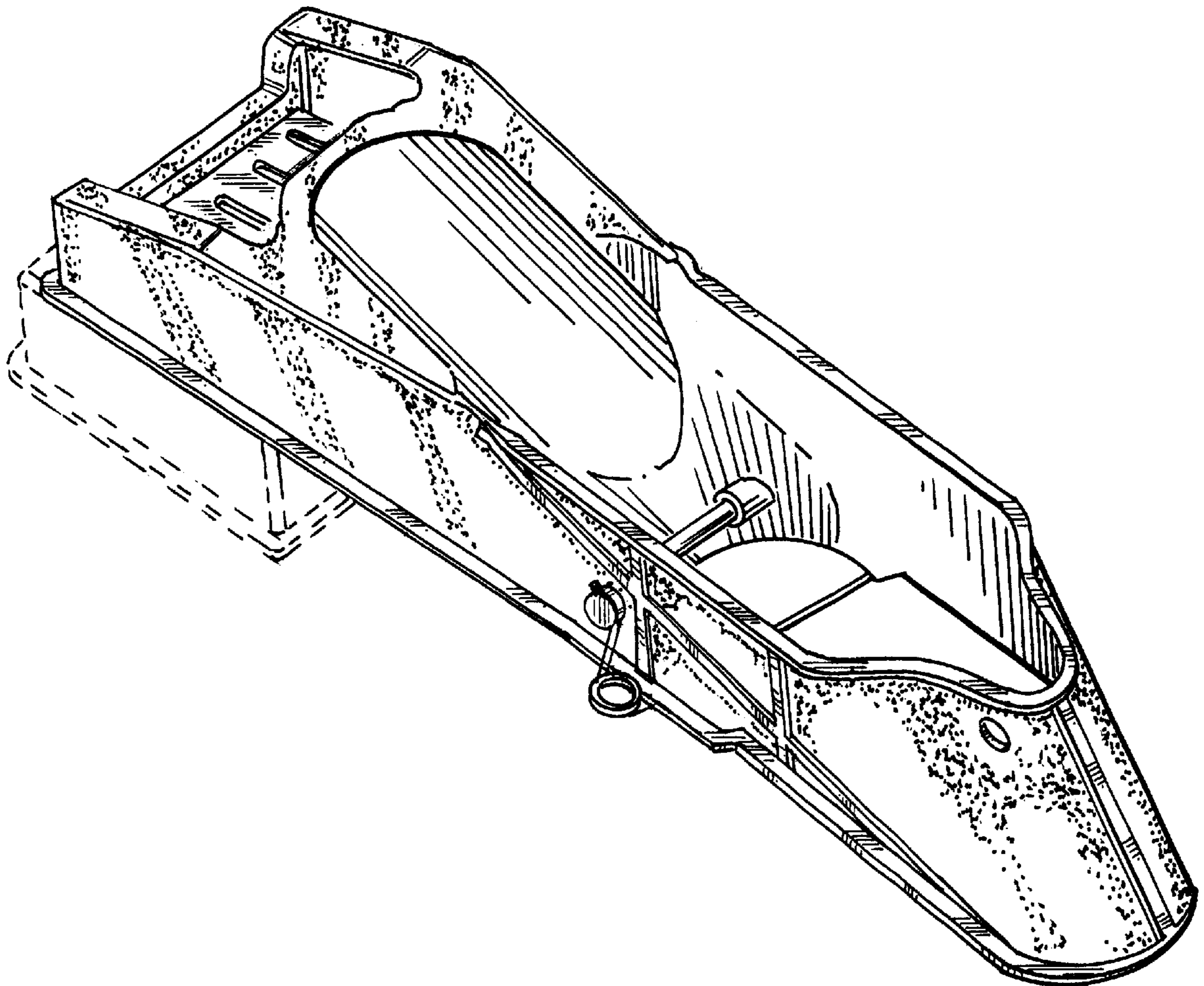
FIG. 5 is a bottom plan view;

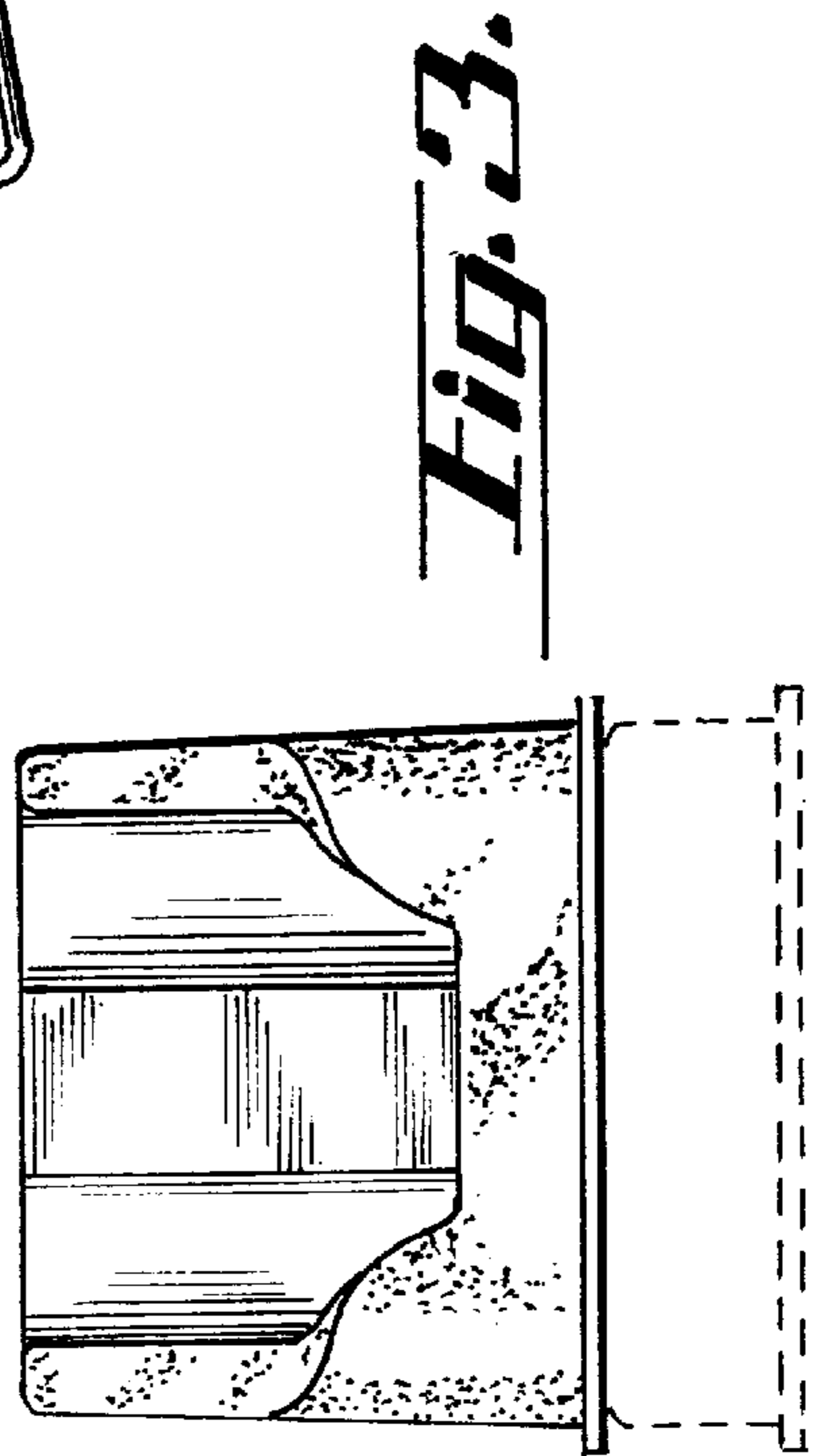
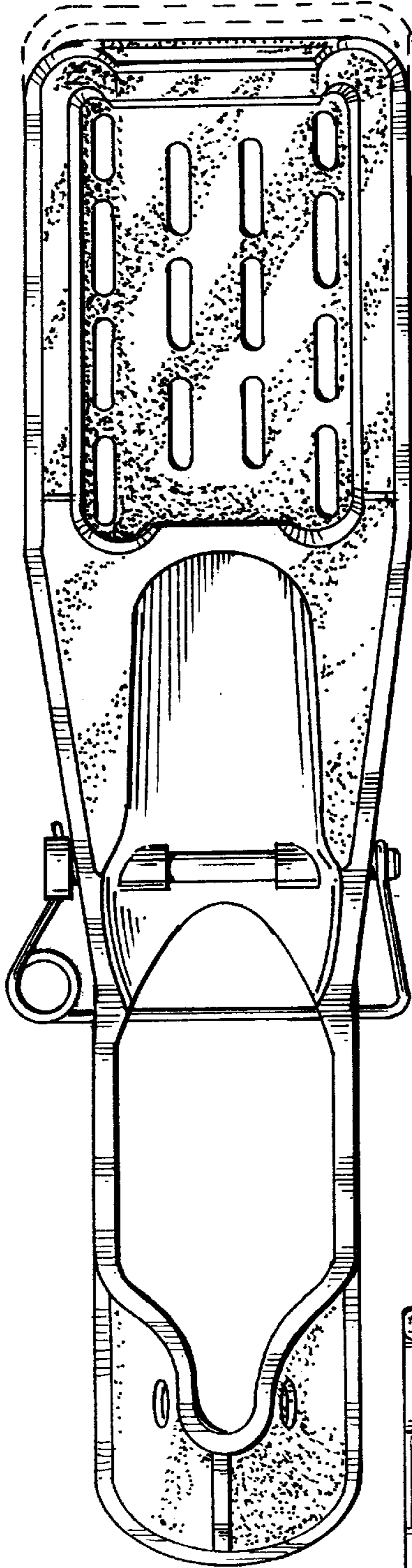
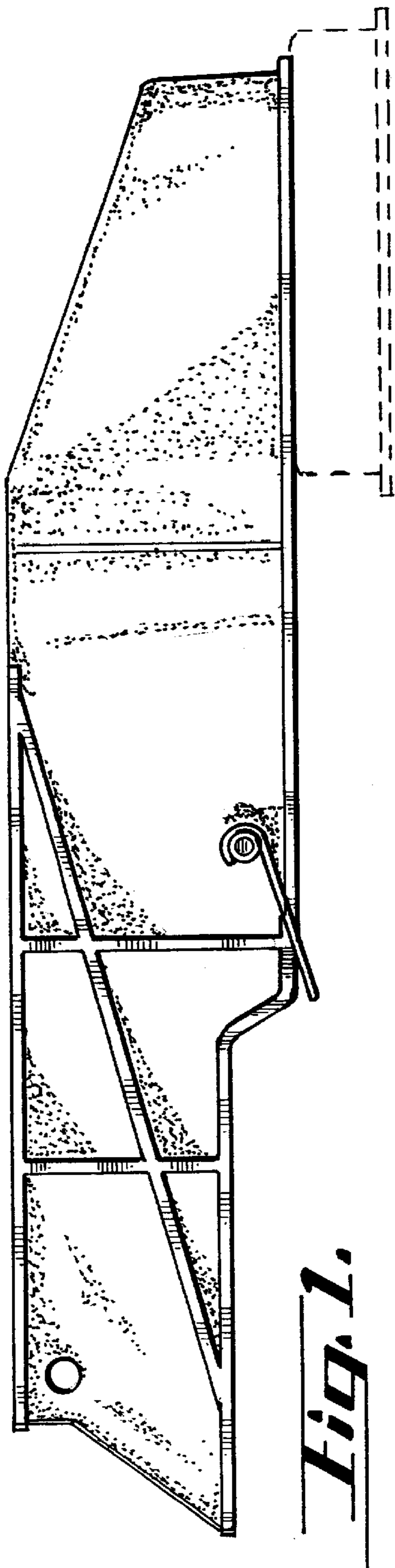
FIG. 6 is an end view; and,

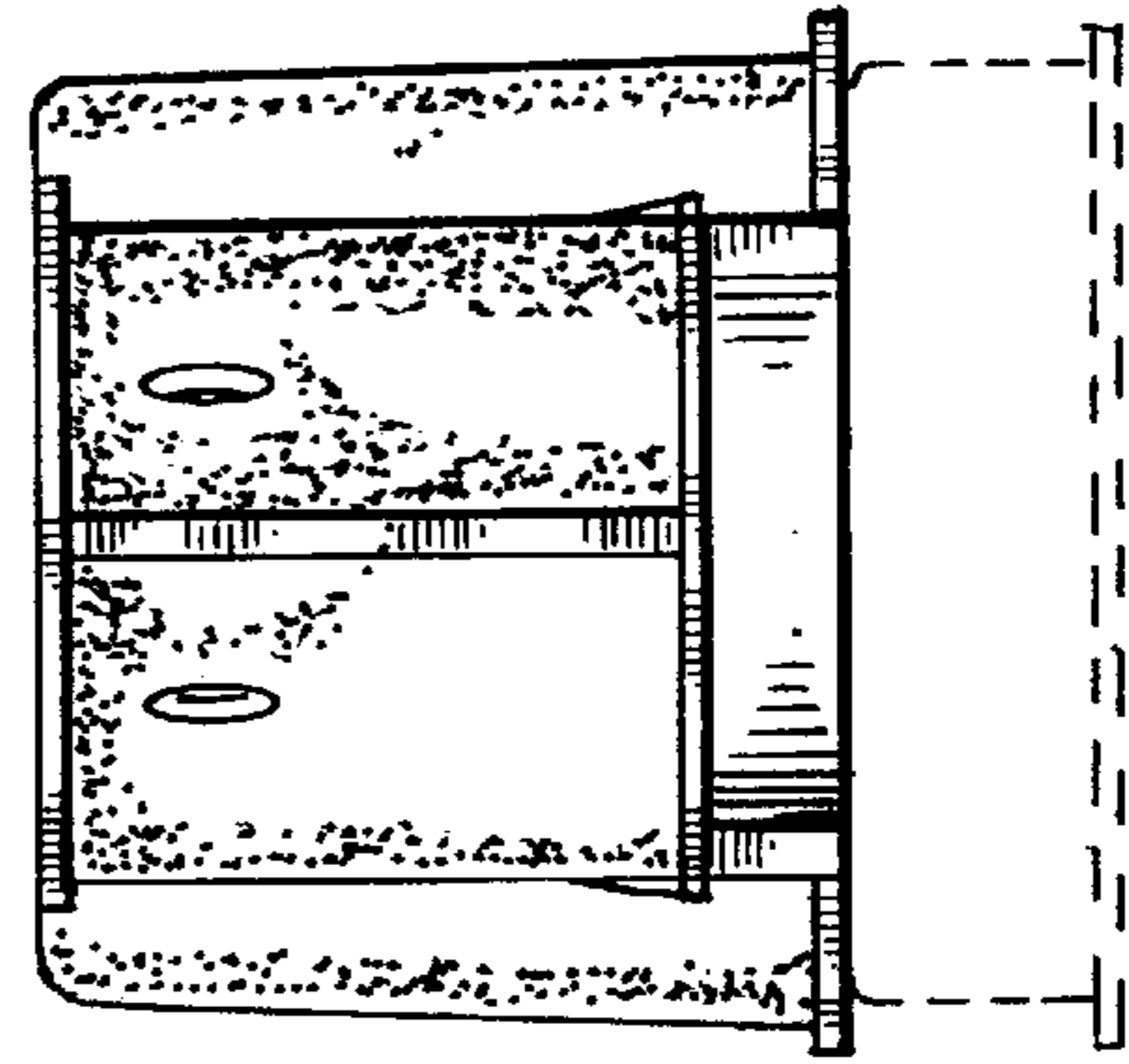
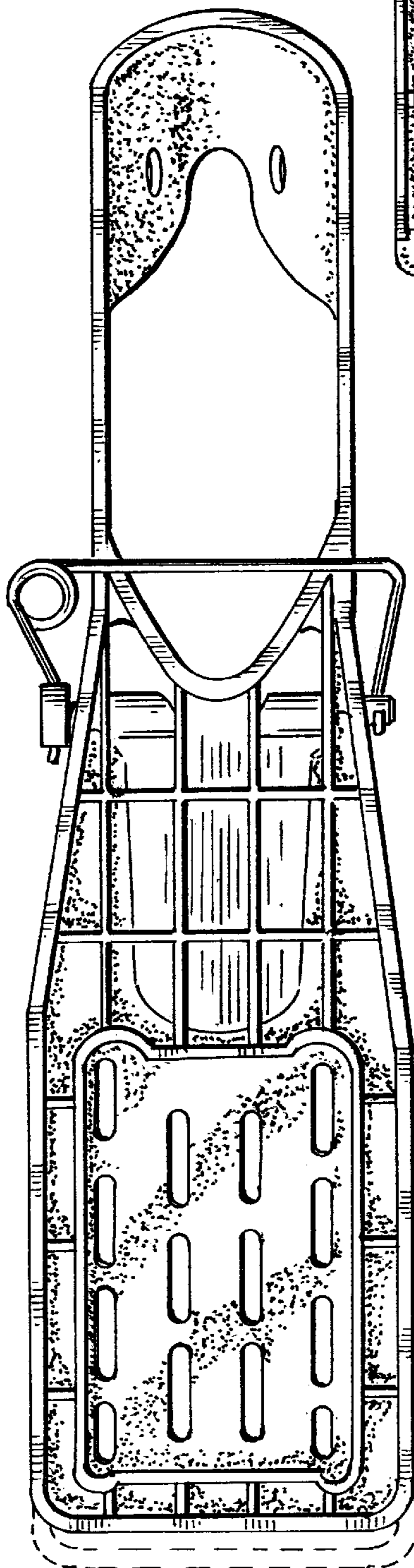
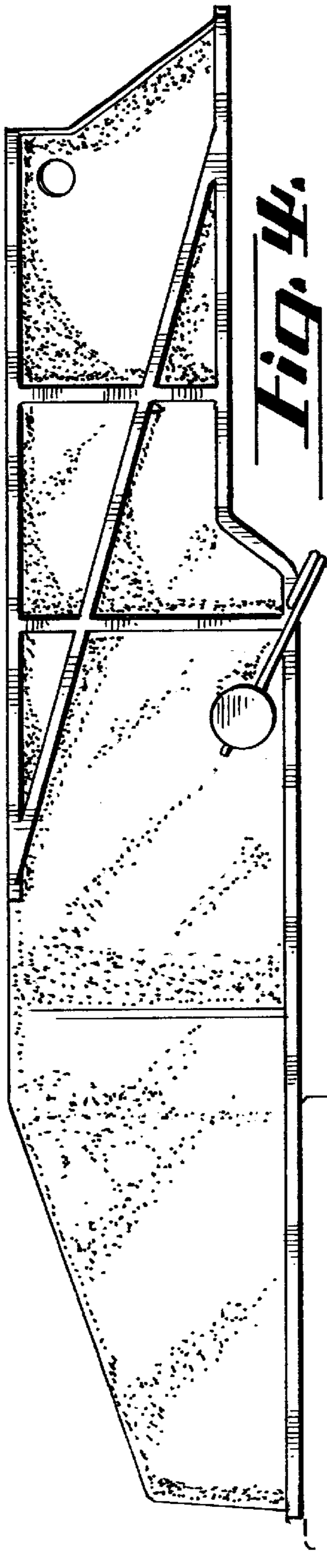
FIG. 7 is a top perspective view.

The broken line drawings of the figures are for illustrative purposes only and form no part of the claimed design.

1 Claim, 3 Drawing Sheets







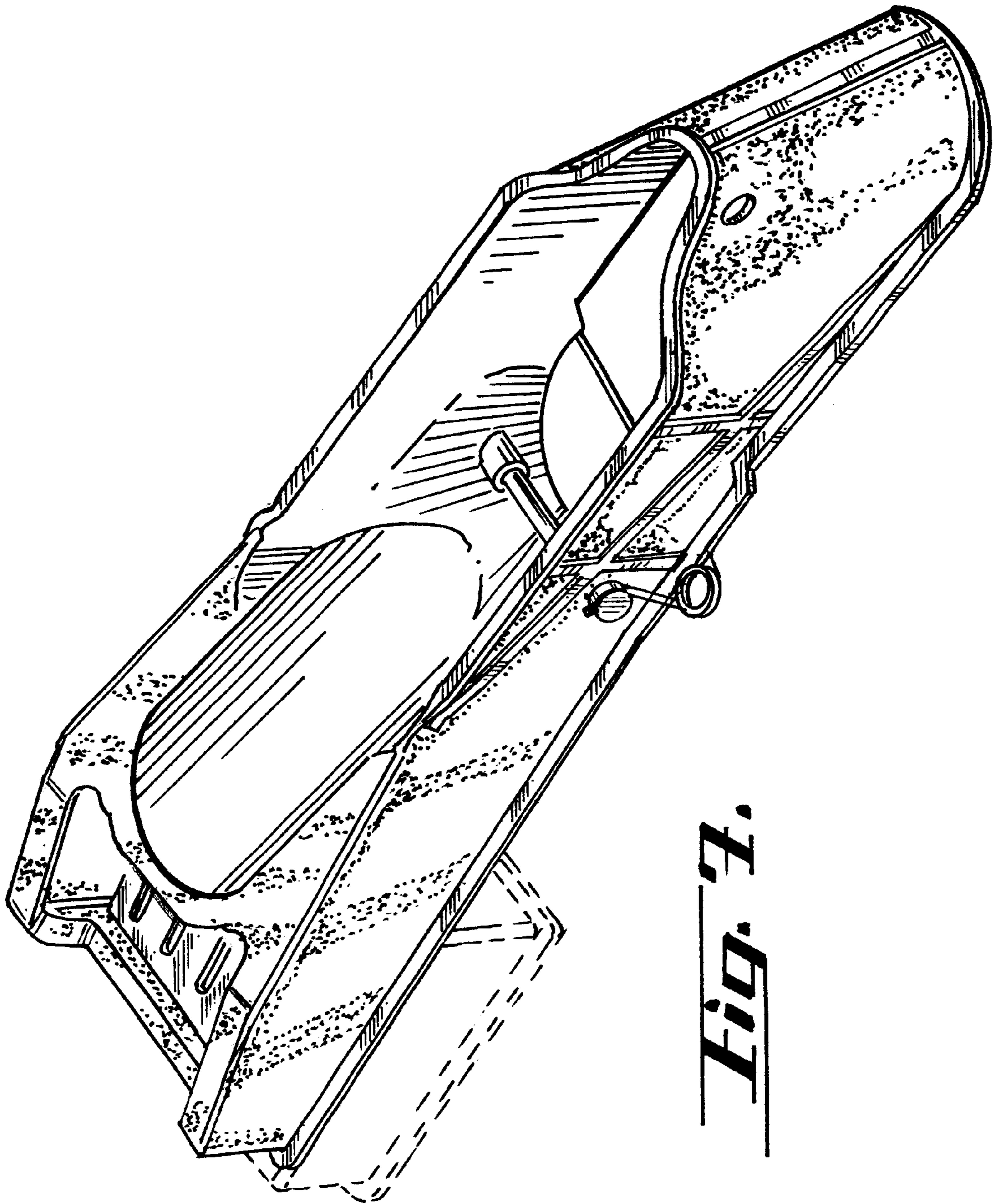


Fig. 7.