



US00D452289B1

(12) **United States Design Patent**  
**Kutrubes**

(10) **Patent No.:** **US D452,289 S**

(45) **Date of Patent:** **\*\* Dec. 18, 2001**

(54) **GUN TRIGGER**

4,835,893 6/1989 Kelso ..... 42/69.01  
5,967,133 10/1999 Gardner ..... 124/77

(75) Inventor: **Thomas J. Kutrubes**, Longmont, CO  
(US)

**FOREIGN PATENT DOCUMENTS**

(73) Assignee: **K&K Performance Paintball**,  
Longmont, CO (US)

438214 12/1926 (DE) ..... 42/69.01

(\*\*) Term: **14 Years**

**OTHER PUBLICATIONS**

(21) Appl. No.: **29/114,774**

Photographs of gun trigger manufactured by WDP Ltd,  
Birmingham, England (6 pages).

(22) Filed: **Nov. 30, 1999**

*Primary Examiner*—Louis S. Zarfes

*Assistant Examiner*—Monica A. Weingart

(74) *Attorney, Agent, or Firm*—David M. Sigmond

**Related U.S. Application Data**

(57) **CLAIM**

(63) Continuation of application No. 09/432,825, filed on Nov. 2,  
1999, now Pat. No. 6,189,525.

The ornamental design for a gun trigger, as shown.

(51) **LOC (7) Cl.** ..... **22-01**

**DESCRIPTION**

(52) **U.S. Cl.** ..... **D22/108**

FIG. 1 is a perspective view of the gun trigger of the present  
invention;

(58) **Field of Search** ..... D22/108; D21/567,  
D21/573, 574; 42/42.03, 65, 69.01, 69.02,  
69.03, 90; 89/136; 124/31, 37, 66, 67, 73,  
74, 76

FIG. 2 is a left-side view of the gun trigger of the present  
invention;

(56) **References Cited**

**U.S. PATENT DOCUMENTS**

15,144 6/1856 North ..... 42/69.01  
32,333 5/1861 Alsop ..... 42/65  
337,201 3/1886 Schlund ..... 42/65  
361,100 4/1887 Wesson ..... 42/65  
D. 399,914 10/1998 Walker ..... D22/108  
3,269,045 8/1966 McGaughey ..... 42/65  
4,514,923 5/1985 Teel ..... 42/69 R  
4,685,379 8/1987 Tronsoso ..... 89/136

FIG. 3 is a front view of the gun trigger of the present  
invention;

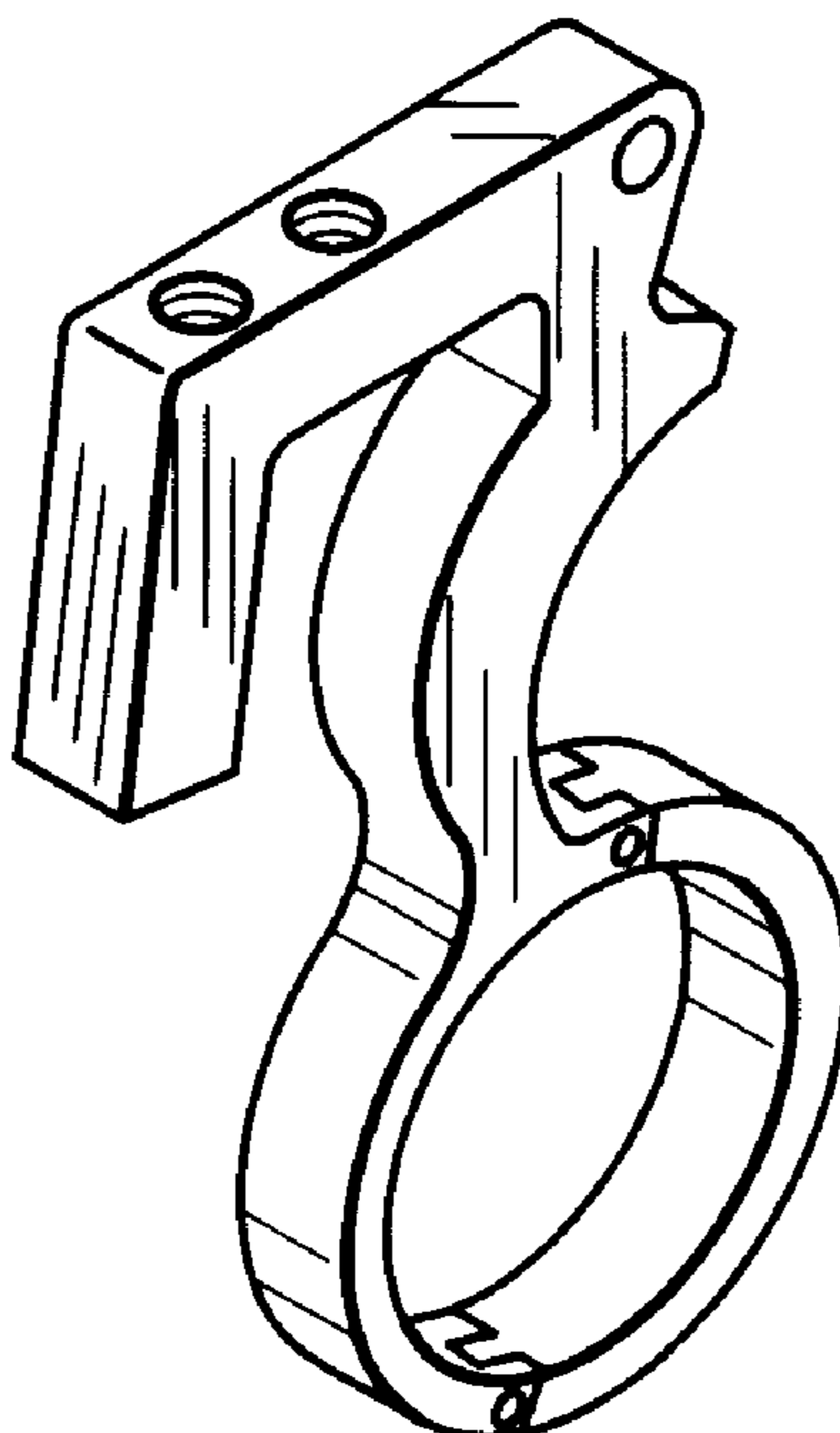
FIG. 4 is a right-side view of the gun trigger of the present  
invention;

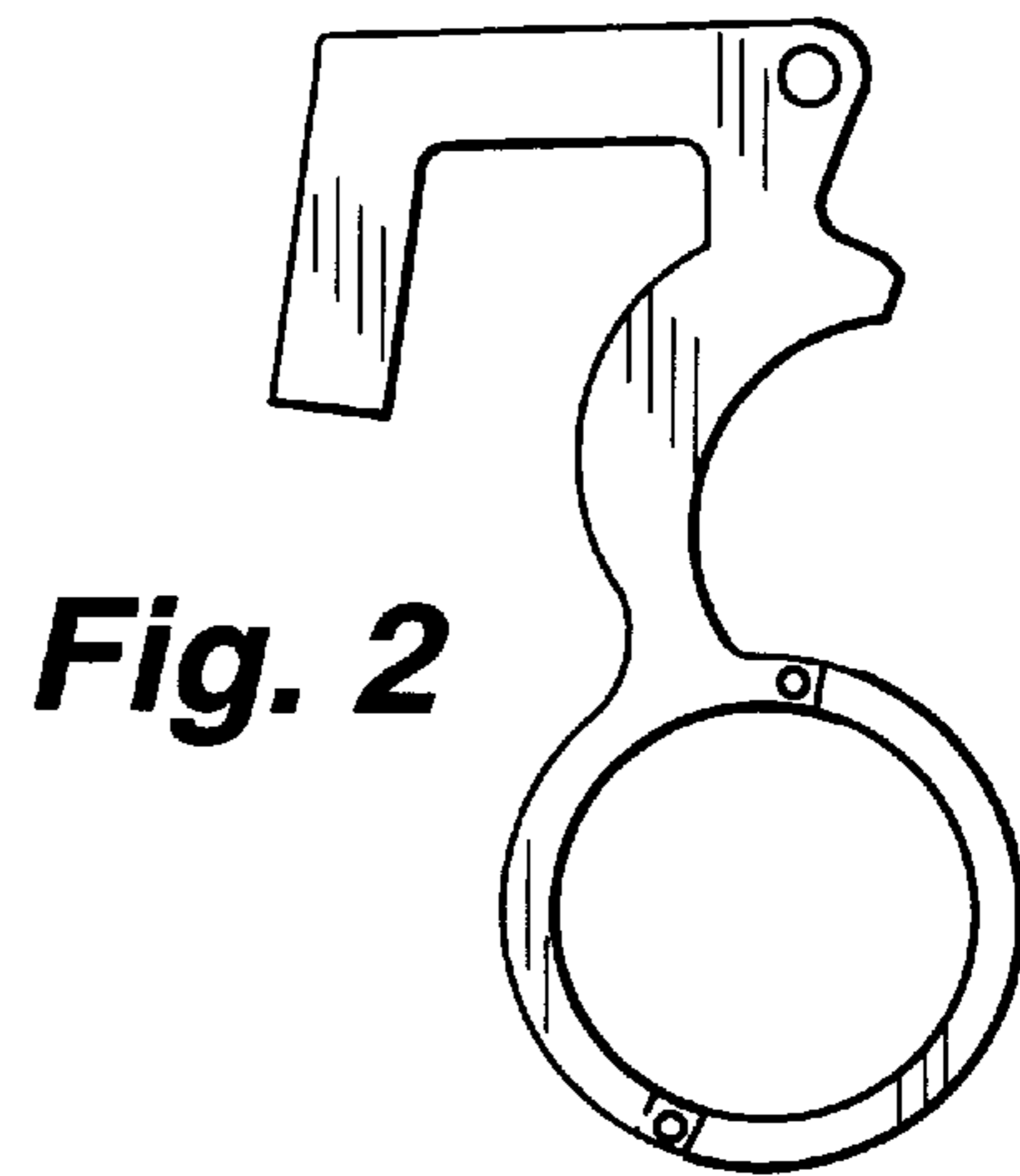
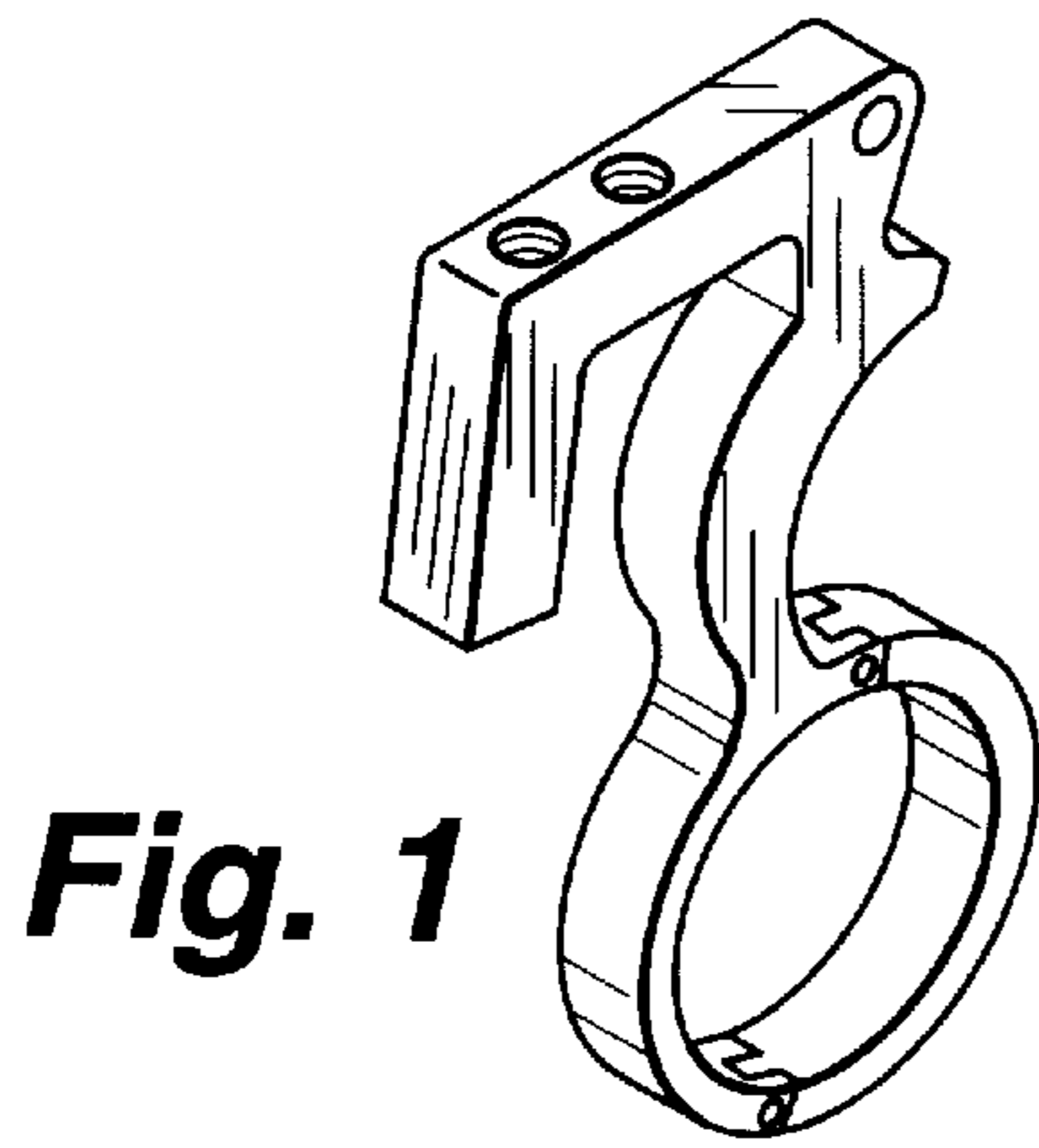
FIG. 5 is a rear view of the gun trigger of the present  
invention;

FIG. 6 is a top view of the gun trigger of the present  
invention; and,

FIG. 7 is a bottom view of the gun trigger of the present  
invention.

**1 Claim, 1 Drawing Sheet**

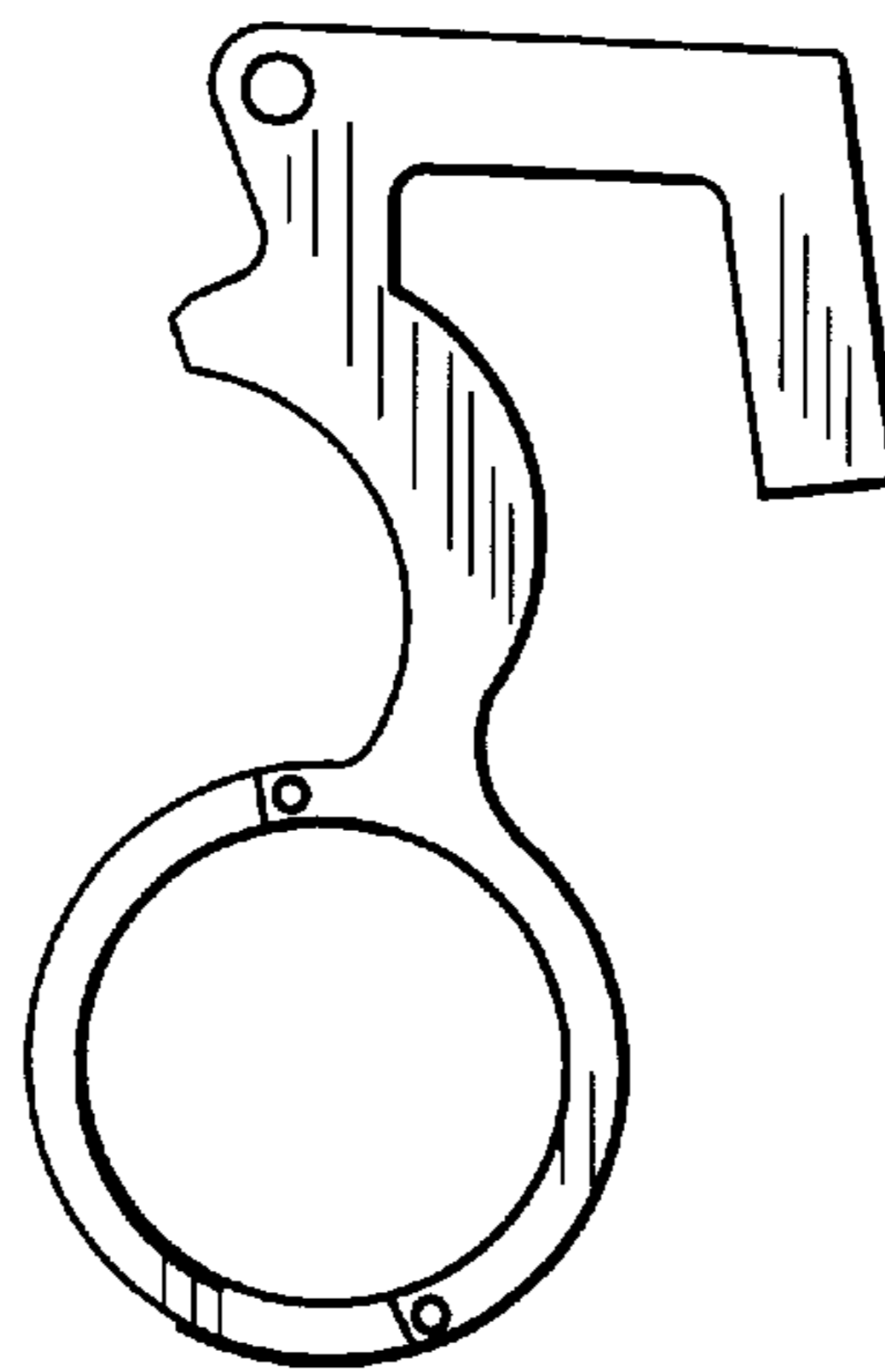




**Fig. 6**



**Fig. 3**



**Fig. 4**



**Fig. 5**



**Fig. 7**