



US00D452288B1

(12) **United States Design Patent**  
**Kay**

(10) **Patent No.:** **US D452,288 S**

(45) **Date of Patent:** **\*\* Dec. 18, 2001**

(54) **POSI-ACTION BEAVERTAIL GRIP SAFETY**

(76) Inventor: **Ira M. Kay**, 405 Winchester St.,  
Warrenton, VA (US) 20186

(\*\*) Term: **14 Years**

(21) Appl. No.: **29/104,225**

(22) Filed: **Apr. 30, 1999**

(51) **LOC (7) Cl.** ..... **22-01**

(52) **U.S. Cl.** ..... **D22/108**

(58) **Field of Search** ..... D22/100, 104,  
D22/108, 199; 42/70.01, 70.11

(56) **References Cited**

**U.S. PATENT DOCUMENTS**

D. 258,139	*	2/1981	Behlert	.....	D22/108
4,590,697	*	5/1986	Ruger et al.	.....	42/70.01 X
4,706,401	*	11/1987	Nielsen	.....	42/70.01 X
4,916,843	*	4/1990	Beretta	.....	42/70.01
4,967,502	*	11/1990	Vernon	.....	42/70.01 X
5,671,560	*	9/1997	Meller	.....	42/70.01 X

**OTHER PUBLICATIONS**

*Guns and Ammo*/Mar. 1994, p. 72, "Beavertail Grip Safety",  
right center of page, 1984.

\* cited by examiner

*Primary Examiner*—Louis S. Zarfaz

*Assistant Examiner*—Monica A. Weingart

(74) *Attorney, Agent, or Firm*—Shlesinger, Arkwright &  
Garvey LLP

(57) **CLAIM**

The ornamental design for posi-action beavertail grip safety,  
as shown and described.

**DESCRIPTION**

FIG. 1 is a top rear perspective view of a posi-action  
beavertail grip safety showing my new design;

FIG. 2 is right elevational view of FIG. 1;

FIG. 3 is a rear elevational view of FIG. 1;

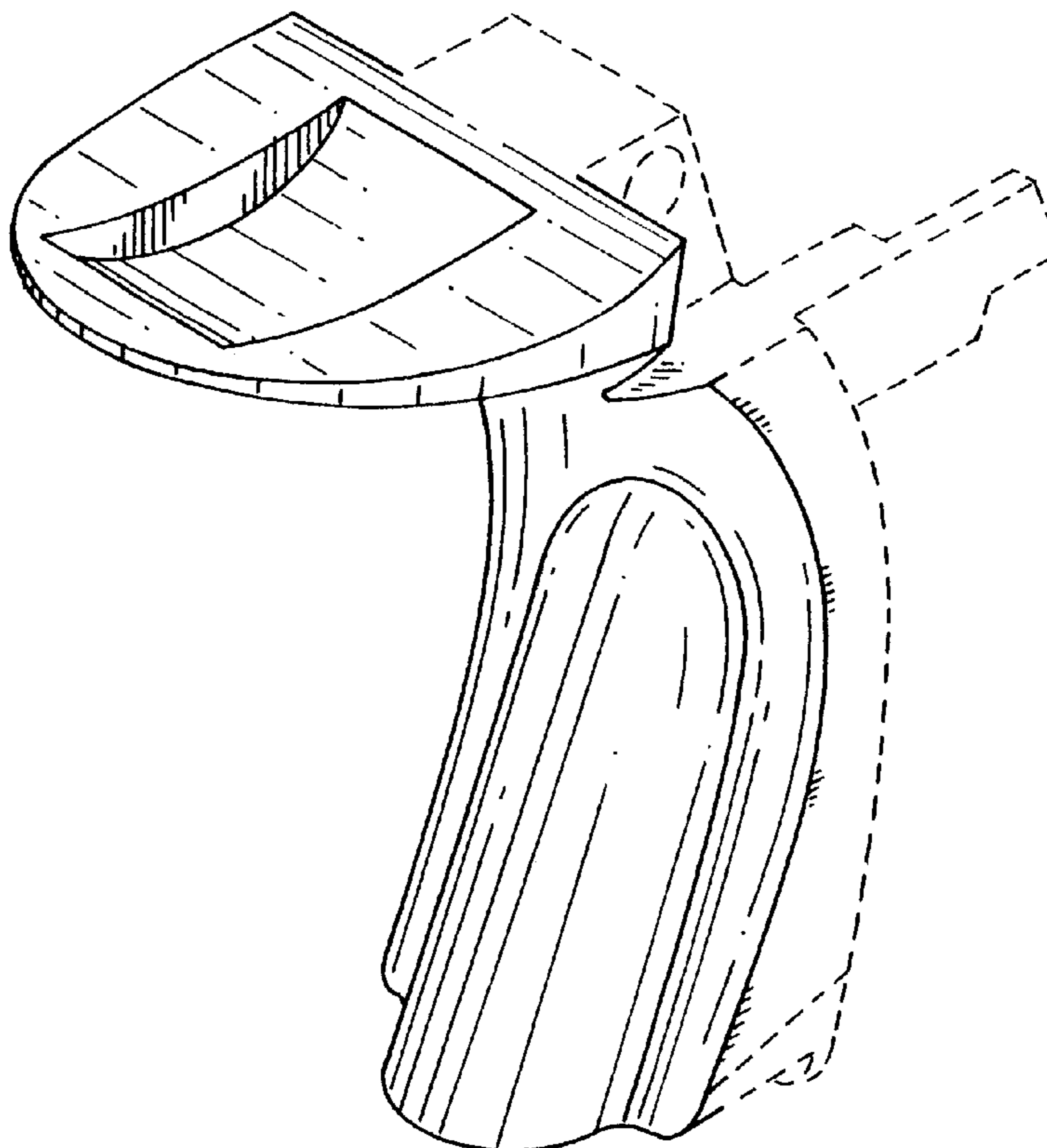
FIG. 4 is a top elevational view of FIG. 1; and,

FIG. 5 is a bottom end view of FIG. 1.

The left side elevational view of FIG. 1 is a mirror image of  
FIG. 2.

The phantom lines shown in FIGS. 1–5 do not form part of  
the claimed design.

**1 Claim, 2 Drawing Sheets**



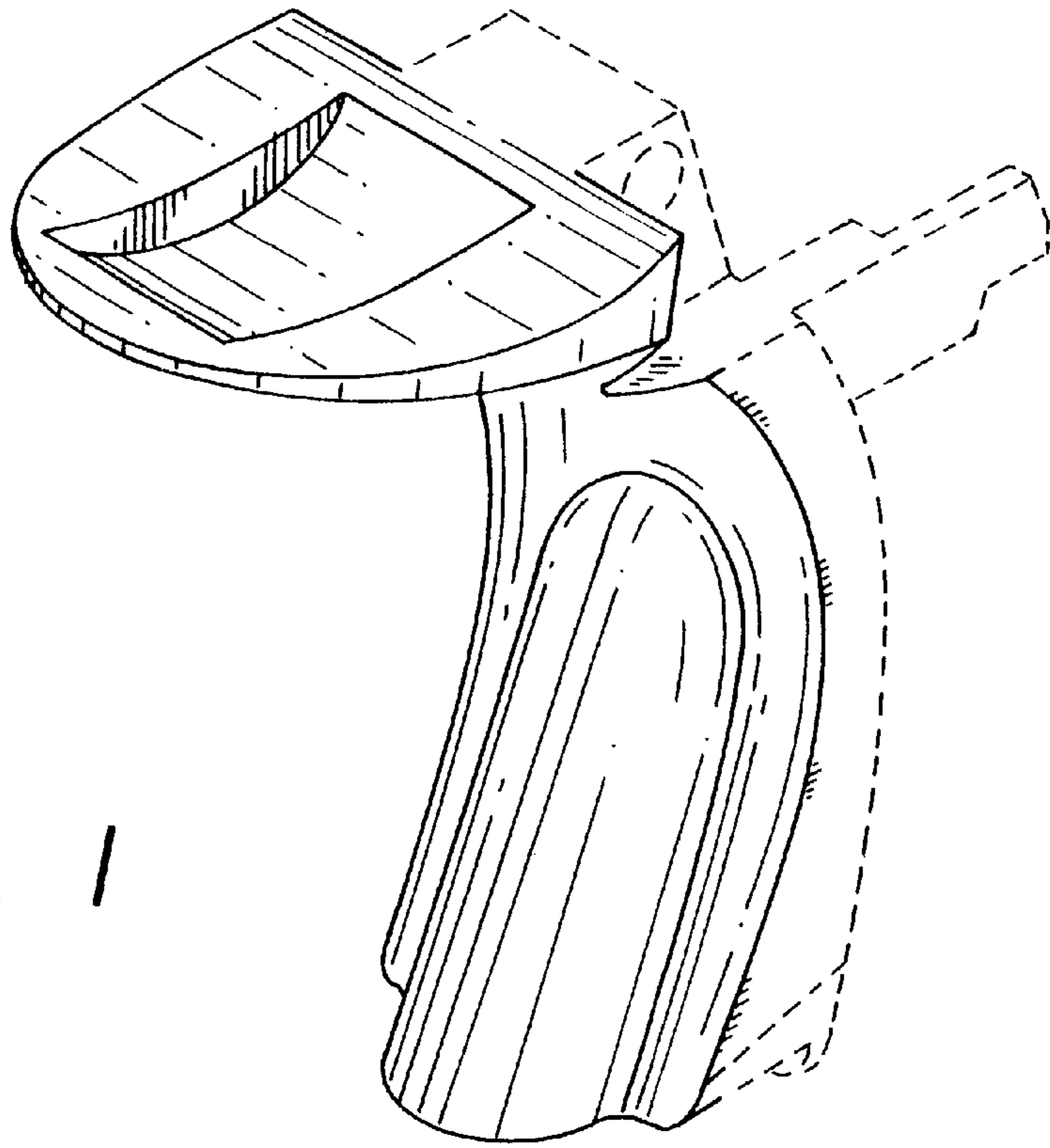


FIG. 1

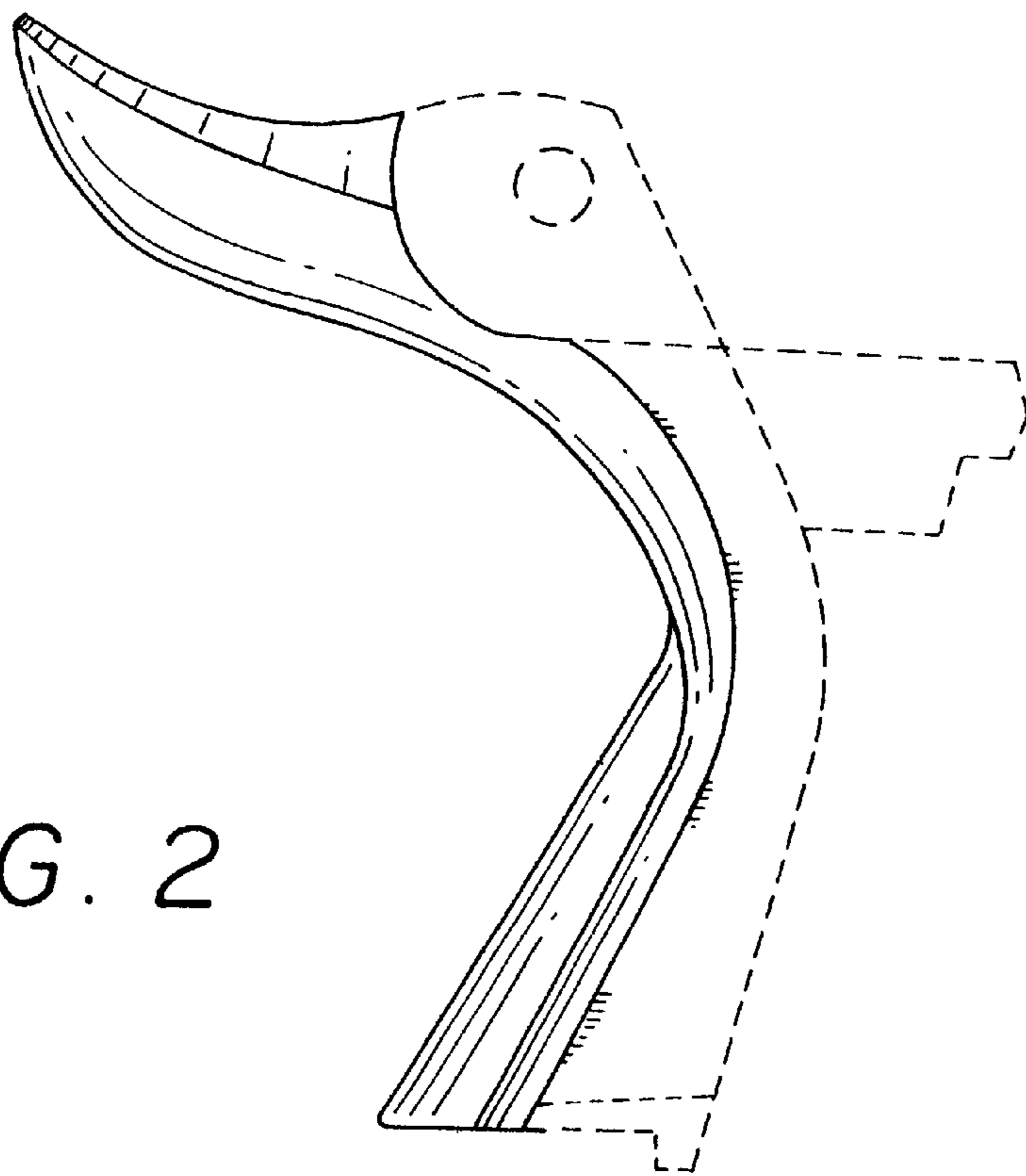


FIG. 2

FIG. 3

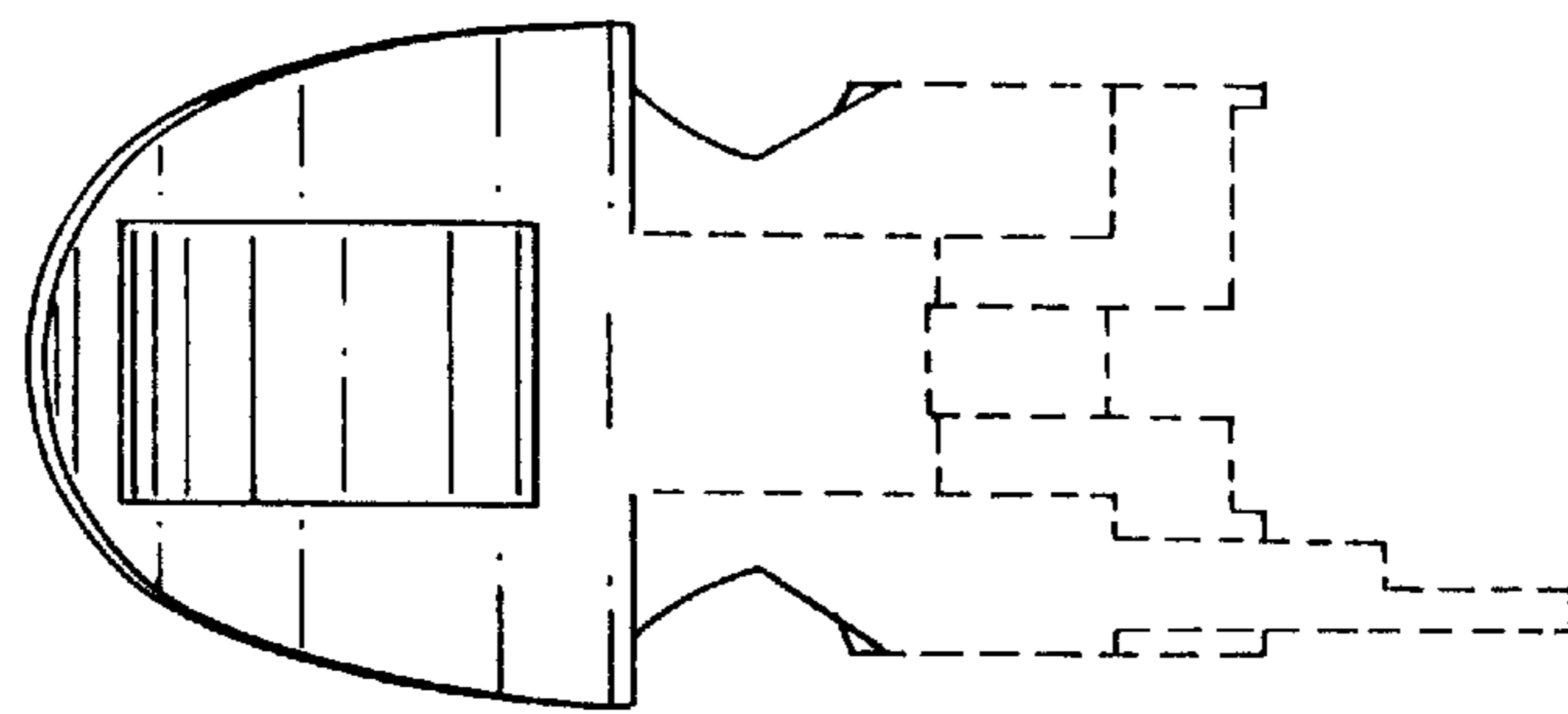
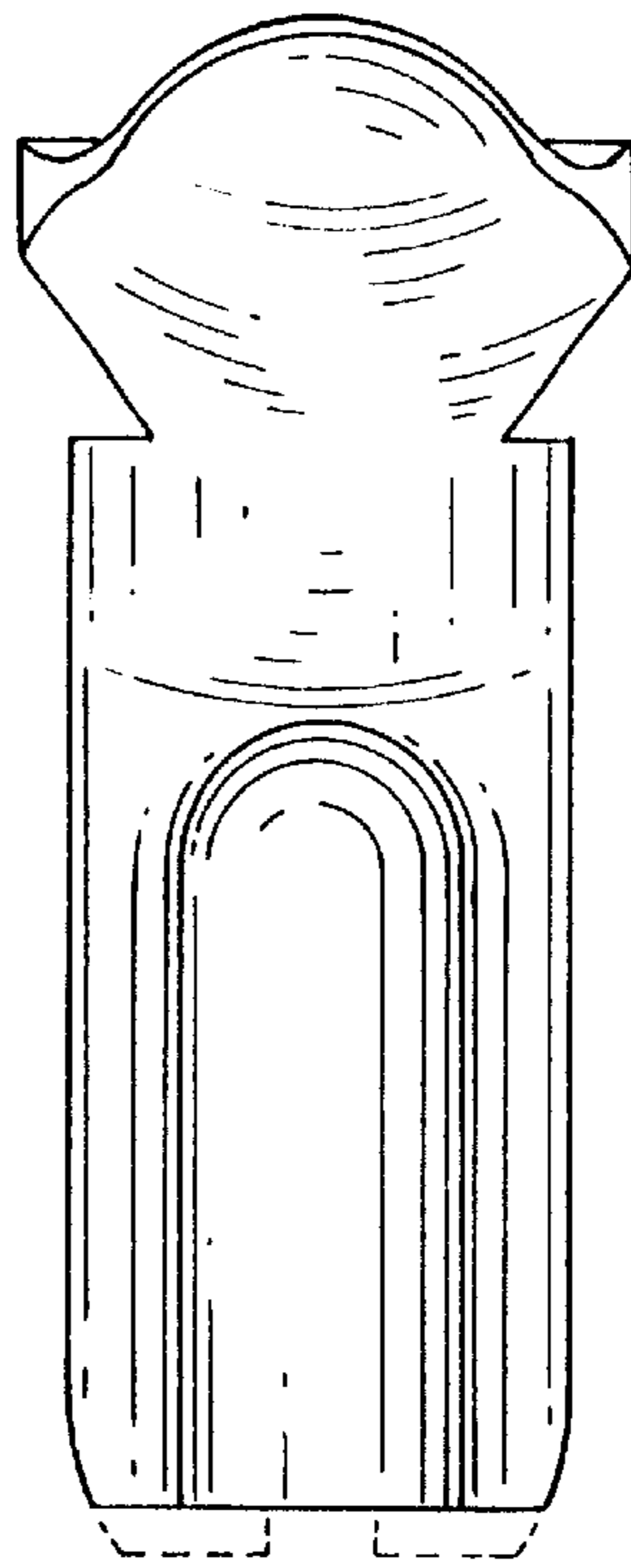


FIG. 4

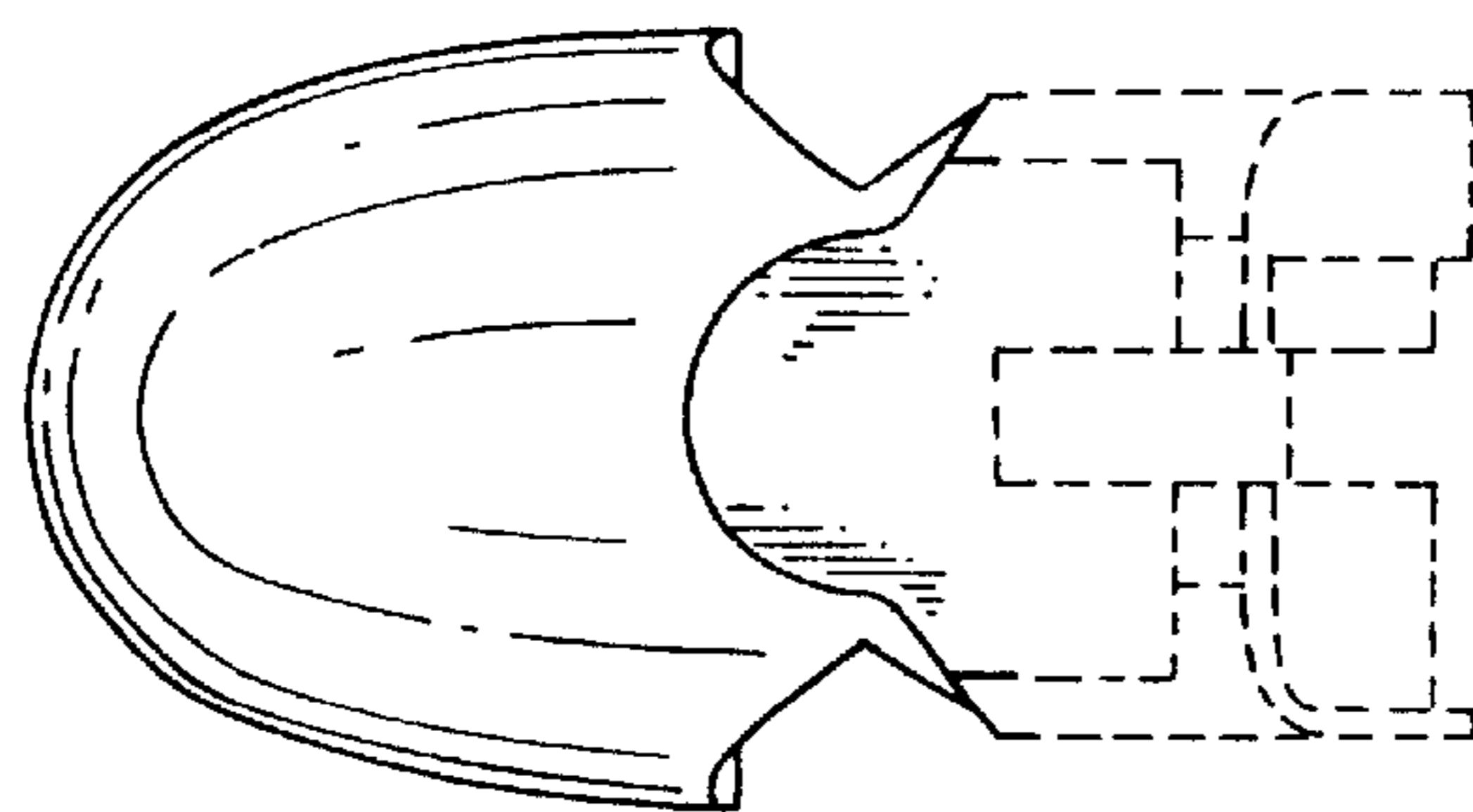


FIG. 5