



US00D452285B1

(12) **United States Design Patent**  
**Easley**

(10) **Patent No.:** **US D452,285 S**

(45) **Date of Patent:** **\*\* Dec. 18, 2001**

(54) **SHROUD FOR ELLIPTICAL EXERCISER**

6,007,462 \* 12/1999 Chen ..... 482/57

(75) Inventor: **James B. Easley**, Orono, MN (US)

\* cited by examiner

(73) Assignee: **Fitness Quest Inc.**, Canton, OH (US)

*Primary Examiner*—Philip S. Hyder

(\*\*) Term: **14 Years**

(74) *Attorney, Agent, or Firm*—Benesch, Friedlander, Coplan & Aronoff LLP

(21) Appl. No.: **29/135,843**

(57) **CLAIM**

(22) Filed: **Jan. 19, 2001**

The ornamental design for a shroud for elliptical exerciser, as shown and described.

(51) **LOC (7) Cl.** ..... **21-02**

**DESCRIPTION**

(52) **U.S. Cl.** ..... **D21/697; D21/694**

(58) **Field of Search** ..... D21/662, 668,  
D21/670, 694, 697; 482/51, 52, 57, 70,  
71, 148

FIG. 1 is a perspective view of a shroud for an elliptical exerciser showing my new design;

FIG. 2 is a perspective view of the shroud alone;

FIG. 3 is a left side elevational view thereof;

FIG. 4 is a rear elevational view thereof;

FIG. 5 is a right side elevational view thereof;

FIG. 6 is a front elevational view thereof;

FIG. 7 is a top plan view thereof; and,

FIG. 8 is a bottom plan view thereof.

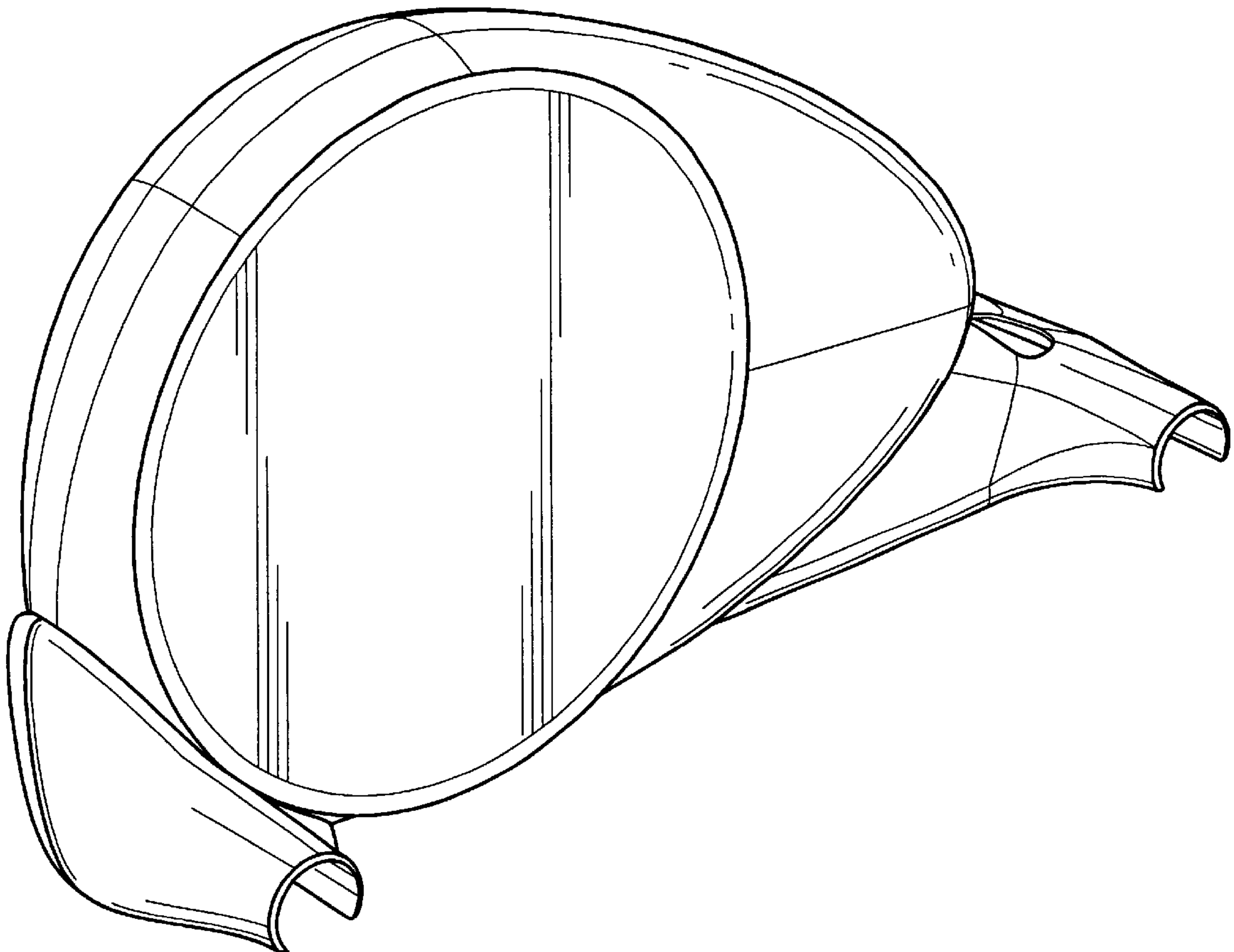
The elliptical exerciser parts shown in broken lines in FIGS. 1–8 are shown for illustrative purposes only and form no part of the claimed design.

(56) **References Cited**

**U.S. PATENT DOCUMENTS**

D. 405,852	*	2/1999	McBride	.....	D21/670
D. 406,289	*	3/1999	Hwang	.....	D21/668
D. 438,264	*	2/2001	Hsiung	.....	D21/670
D. 438,580	*	3/2001	Shaw	.....	D21/697
D. 438,581	*	3/2001	Shaw	.....	D21/697
D. 438,919	*	3/2001	Shaw	.....	D21/697
5,823,914	*	10/1998	Clem	.....	482/51

**1 Claim, 5 Drawing Sheets**



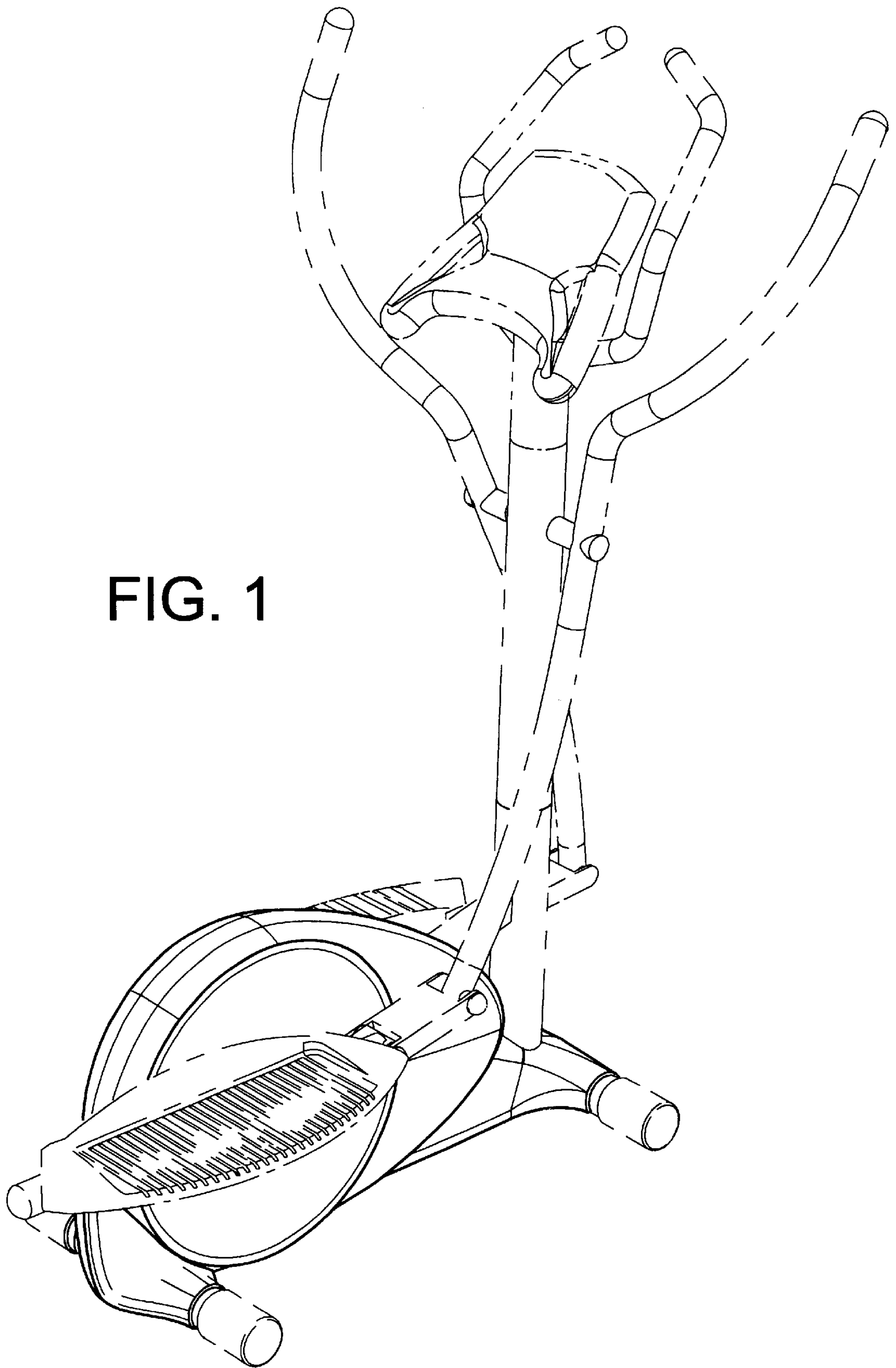


FIG. 1

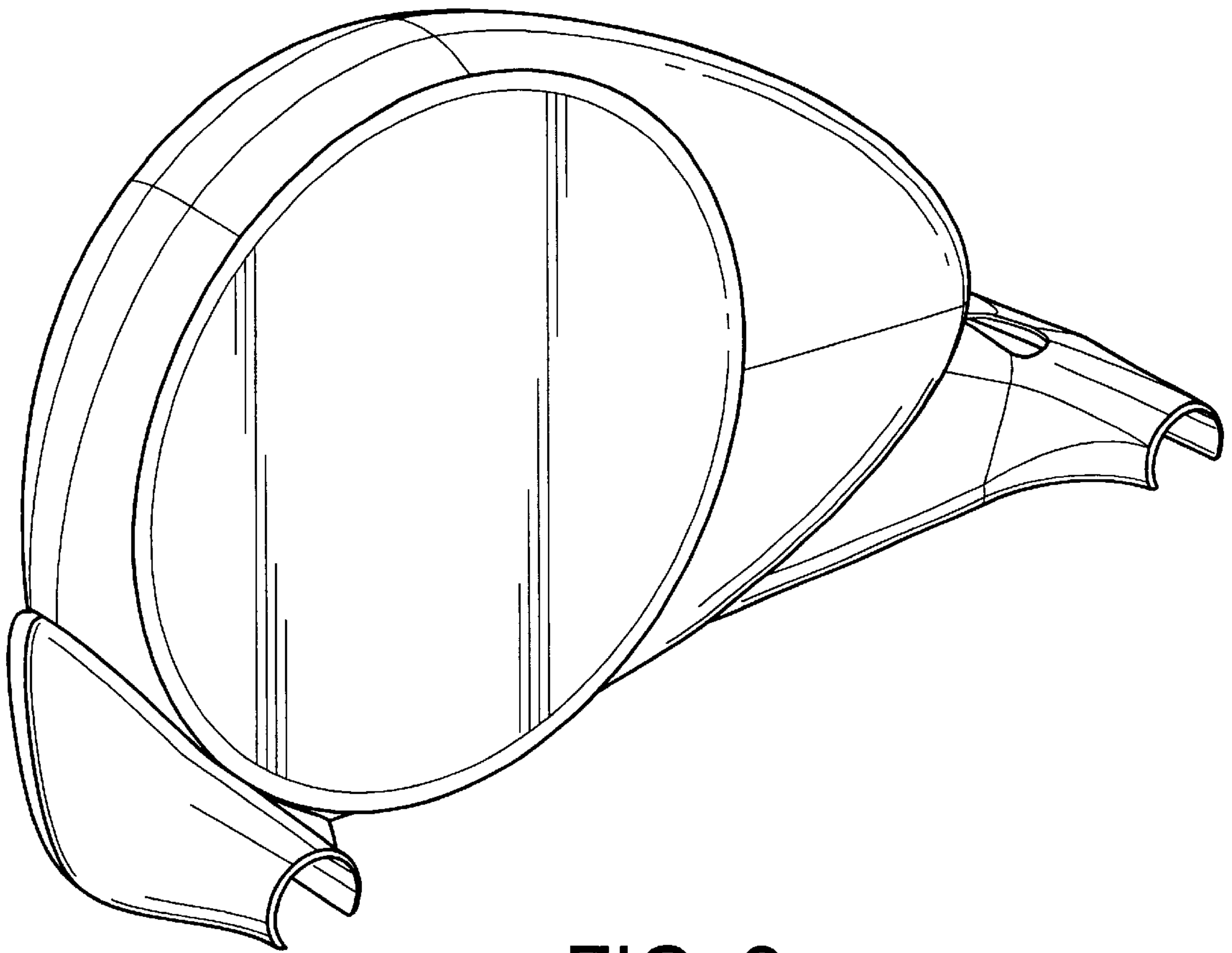


FIG. 2

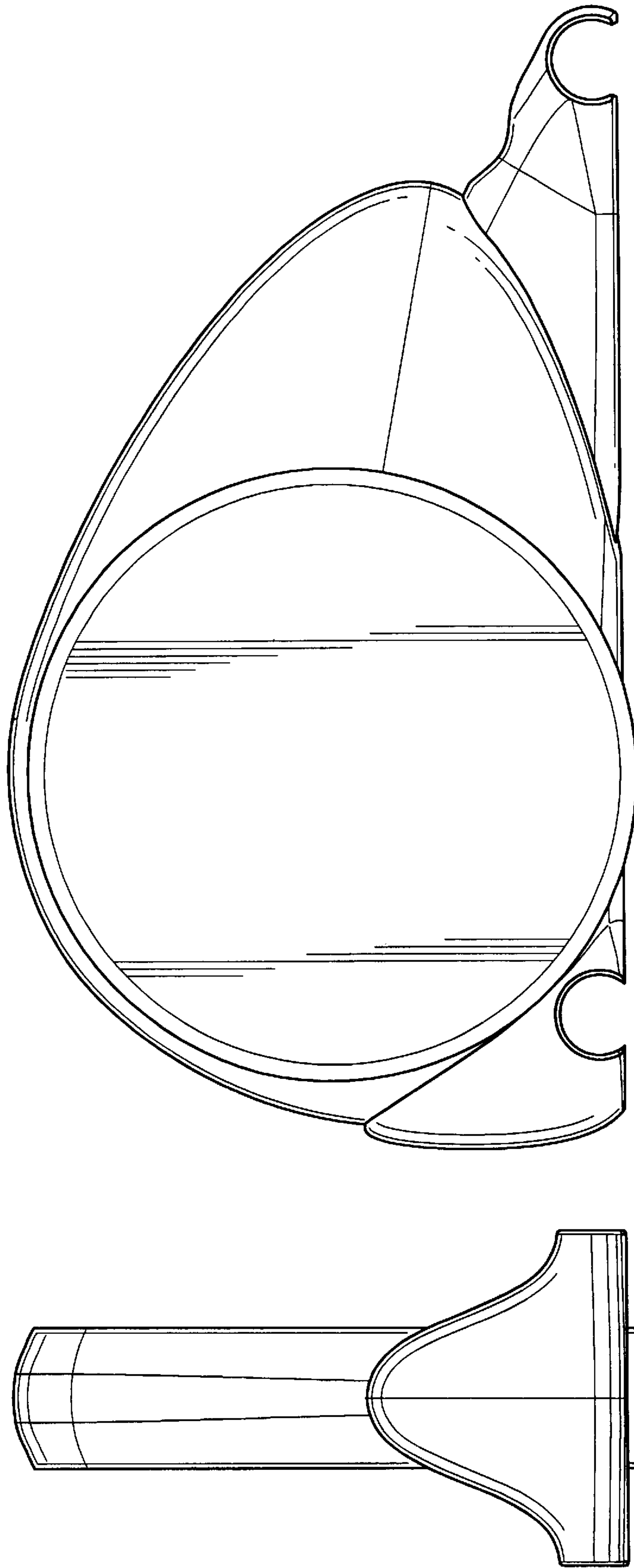


FIG. 4

FIG. 3

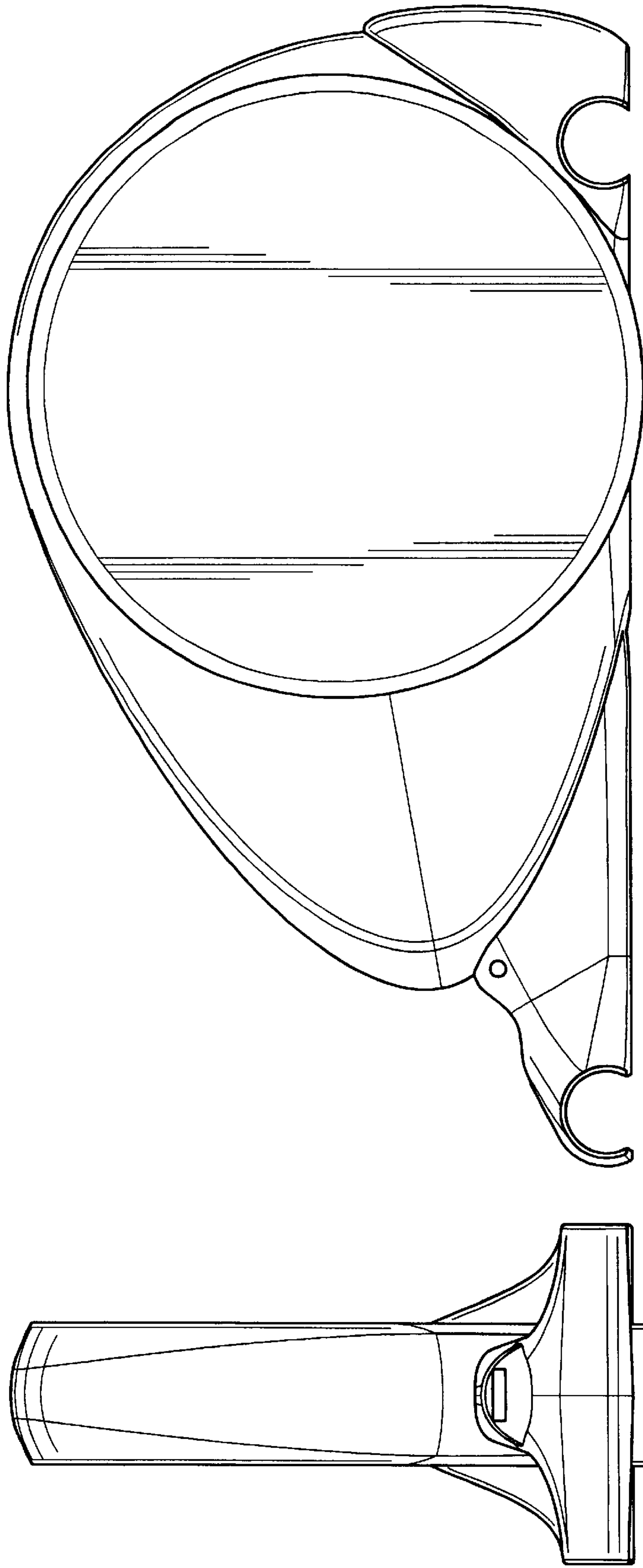


FIG. 5

FIG. 6



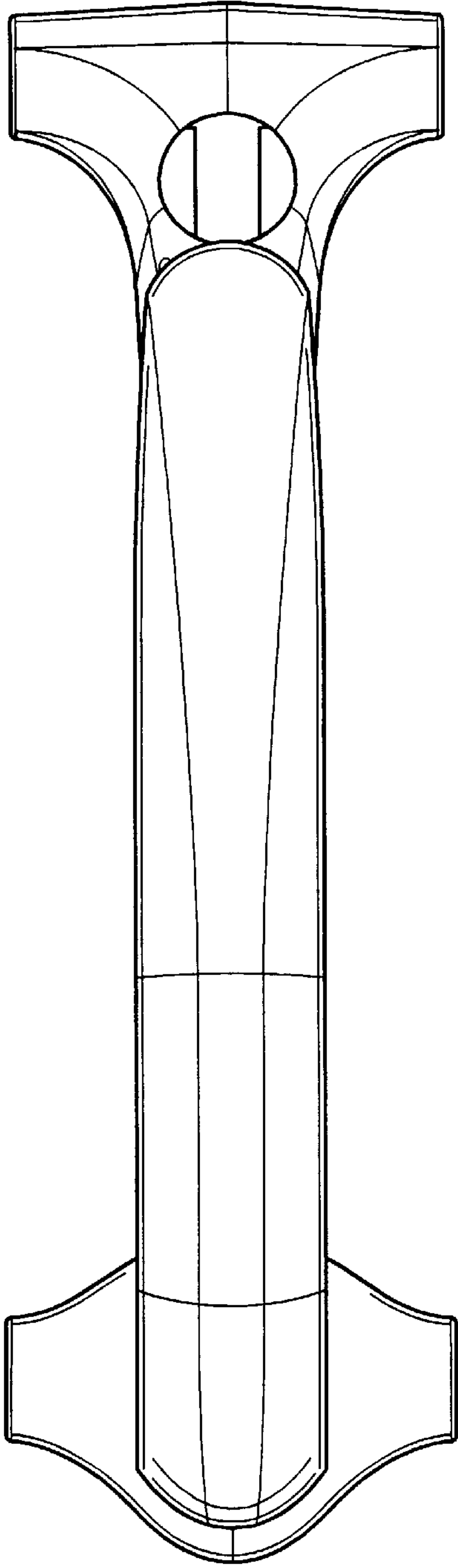


FIG. 7

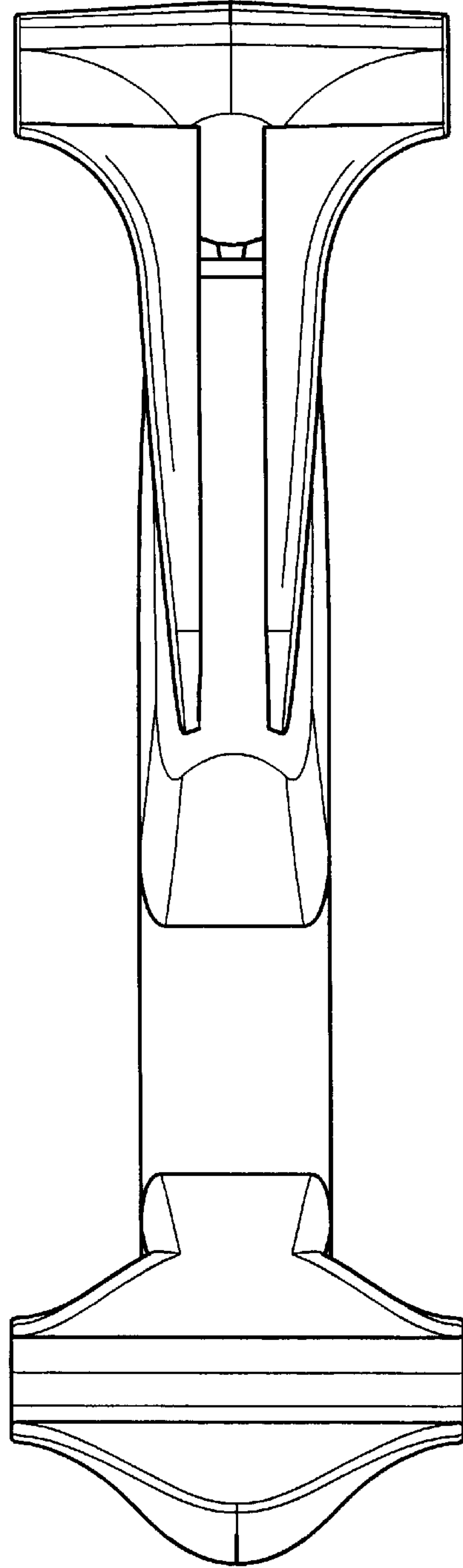


FIG. 8